



US00D764615S

(12) **United States Design Patent**  
**Treadway et al.**

(10) **Patent No.:** **US D764,615 S**  
(45) **Date of Patent:** **\*\* Aug. 23, 2016**

- (54) **SKATE**
- (71) Applicant: **Acton Inc.**, Altadena, CA (US)
- (72) Inventors: **Peter Treadway**, Arcadia, CA (US);  
**Janelle Wang Treadway**, Arcadia, CA (US);  
**Jennifer Choy**, Pasadena, CA (US);  
**Hang Zheng**, Pasadena, CA (US)
- (73) Assignee: **Acton, Inc.**, Mountain View, CA (US)
- (\*\*) Term: **14 Years**
- (21) Appl. No.: **29/495,094**
- (22) Filed: **Jun. 26, 2014**
- (51) **LOC (10) Cl.** ..... **21-02**
- (52) **U.S. Cl.**  
USPC ..... **D21/763**
- (58) **Field of Classification Search**  
USPC ..... D21/760, 763-765, 771; D2/902, 904;  
280/7.14, 11.115, 11.19, 11.2, 11.22,  
280/11.23, 11.26, 11.27, 11.28, 14.21,  
280/87.01, 87.021, 87.03, 87.041, 87.042,  
280/809  
CPC ..... A63C 17/00; A63C 17/006; A63C 17/04;  
A63C 17/08; A63C 17/0046; A63C 17/0086;  
A63C 17/12; A63C 17/14; A63C 17/16  
See application file for complete search history.

(56) **References Cited**

**U.S. PATENT DOCUMENTS**

- D233,537 S \* 11/1974 Horner ..... 280/11.19
- 4,541,643 A \* 9/1985 Pavincic ..... A63C 17/004  
280/11.201
- 4,709,937 A \* 12/1987 Lin ..... A63C 17/0086  
280/11.209
- D341,861 S \* 11/1993 Chen ..... D21/763

- 6,874,795 B2 \* 4/2005 Sung ..... A63C 17/04  
280/11.223
- 6,959,933 B1 \* 11/2005 Roth ..... A63C 17/08  
280/11.19
- D535,714 S \* 1/2007 Cheng ..... D21/763
- D681,759 S \* 5/2013 Treadway ..... D21/763
- 8,684,121 B2 \* 4/2014 Treadway ..... A63C 17/12  
180/180
- 2003/0020244 A1 \* 1/2003 Sung ..... A63C 17/04  
280/11.19
- 2004/0041359 A1 \* 3/2004 Im ..... A63C 17/08  
280/11.25
- 2012/0285756 A1 \* 11/2012 Treadway ..... A63C 17/12  
180/65.51

**OTHER PUBLICATIONS**

Japanese Office Action dated Jul. 30, 2015, issued in related Japanese Patent Application No. 2014-028651, (4 pages).

\* cited by examiner

*Primary Examiner* — Cynthia M Chin

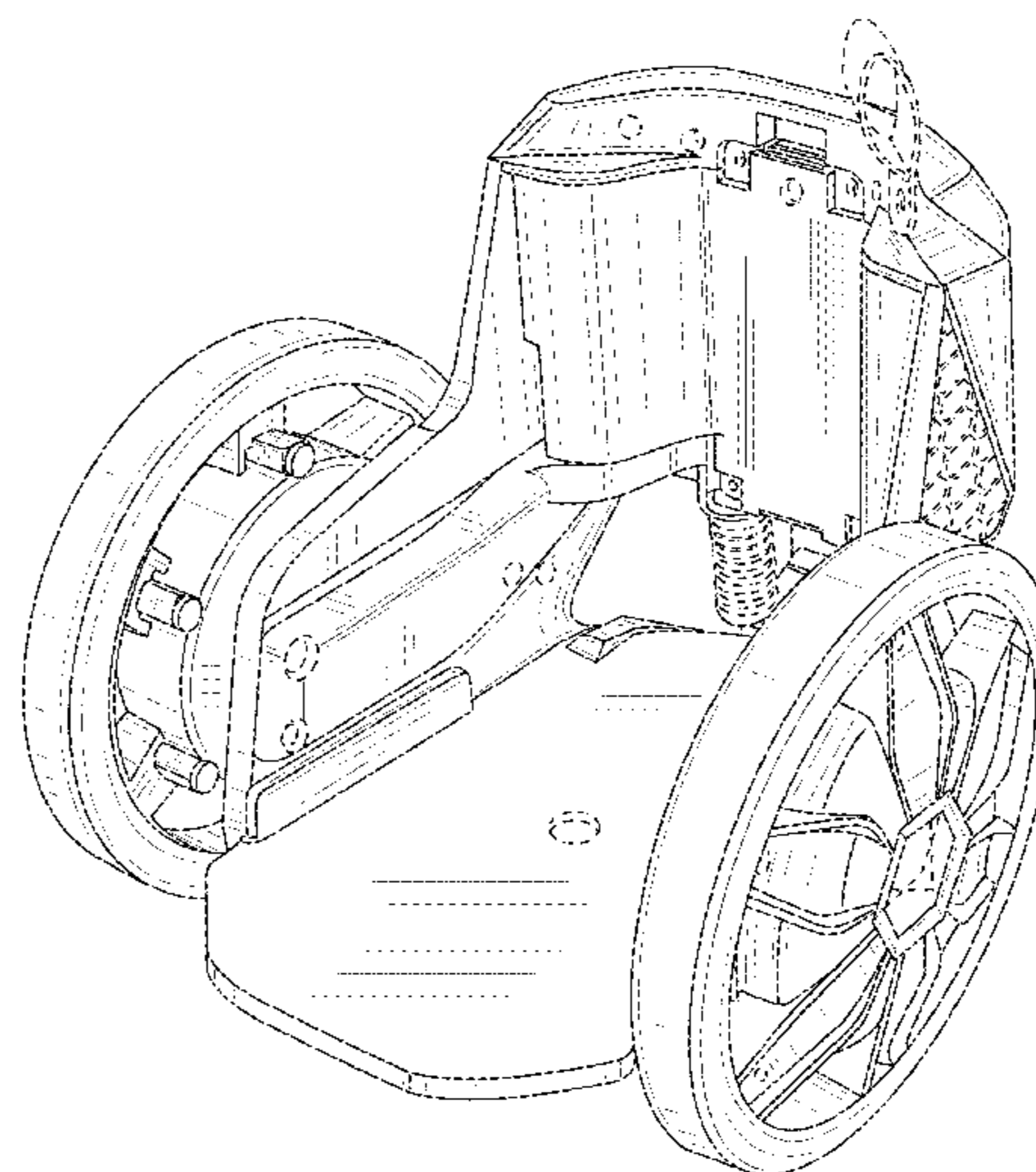
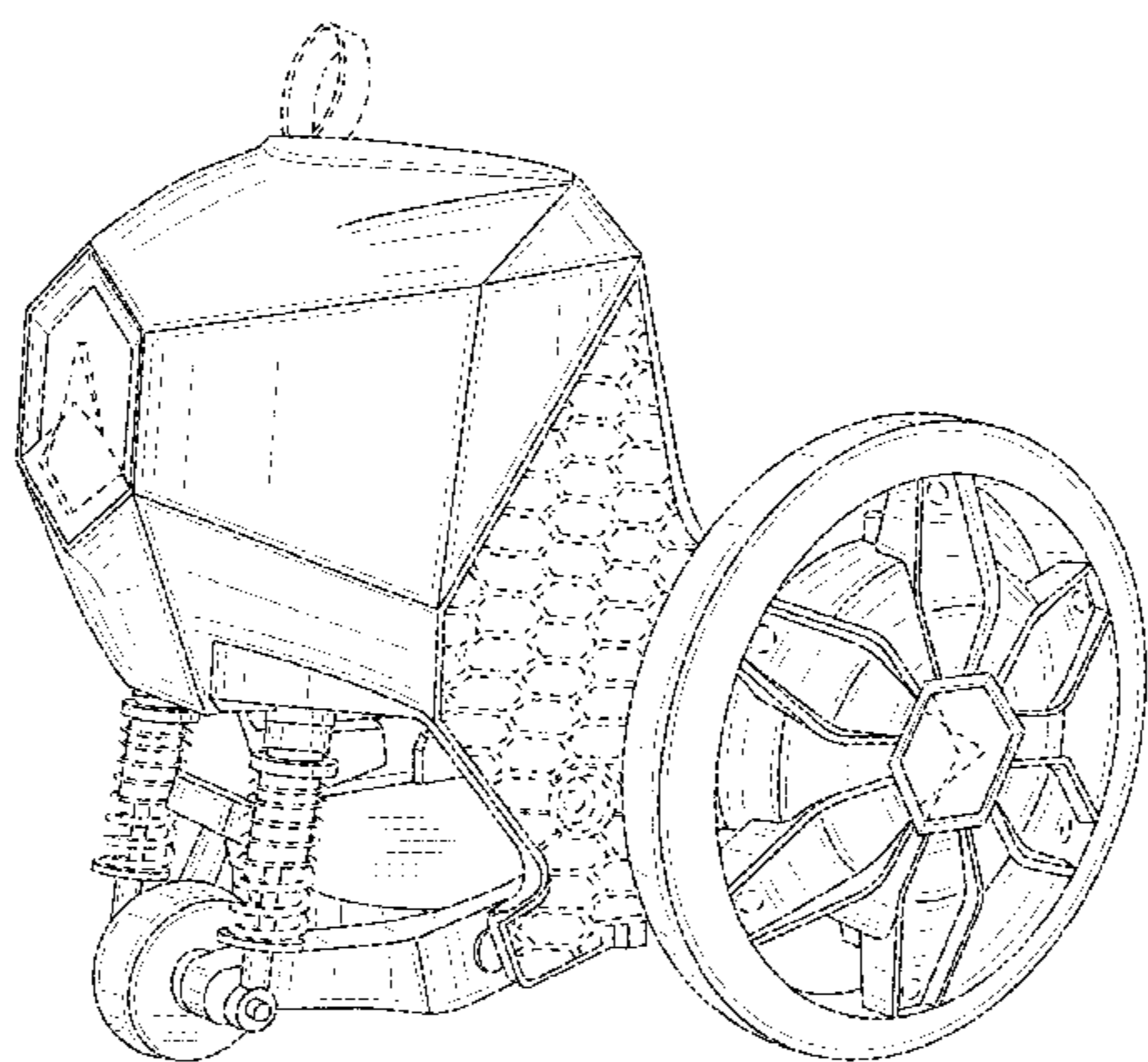
(57) **CLAIM**

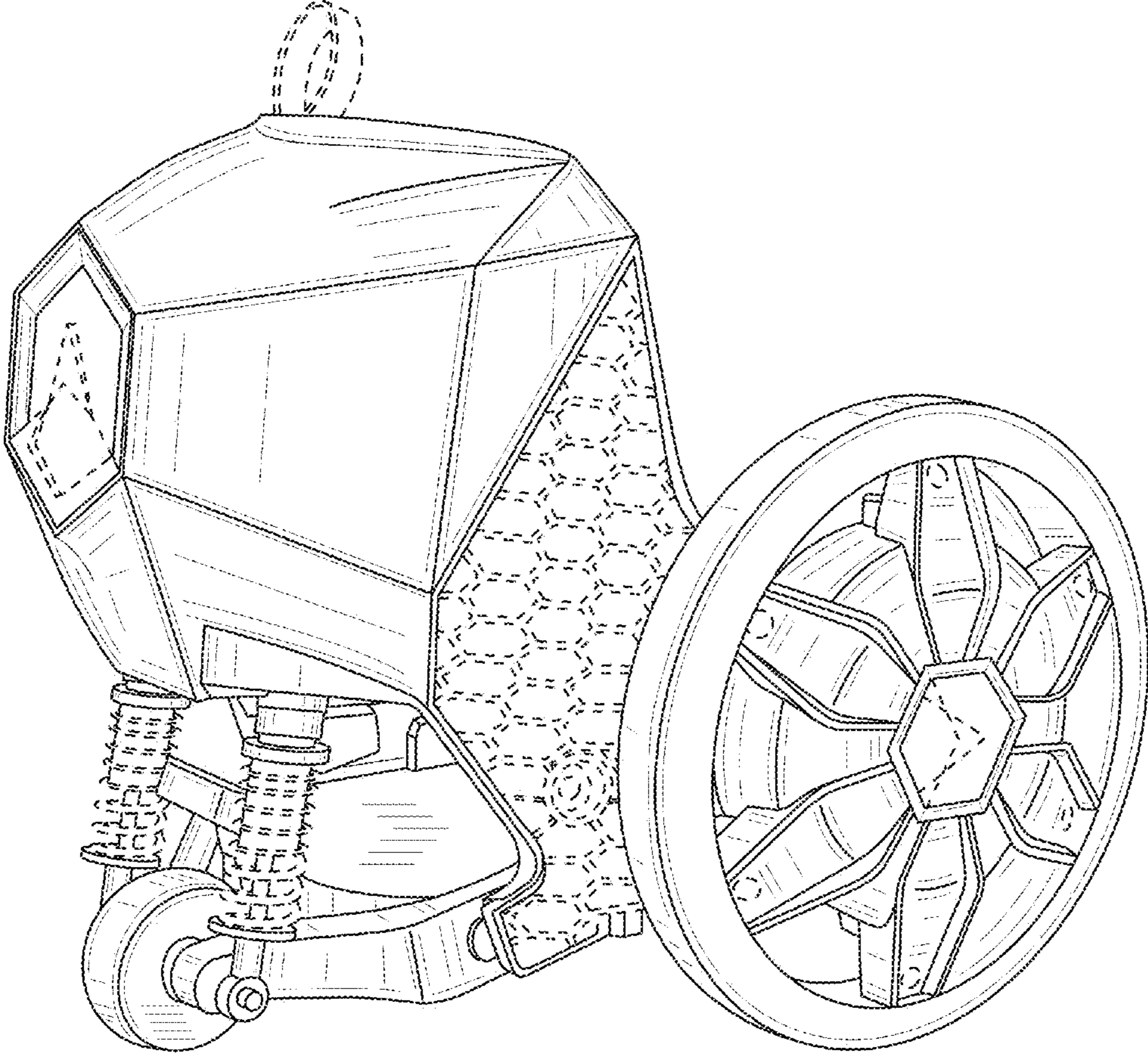
The ornamental design for a skate, as shown and described.

**DESCRIPTION**

FIG. 1 is a rear left perspective view of a skate showing our new design;  
 FIG. 2 is a rear right perspective view thereof;  
 FIG. 3 is a rear elevation view thereof;  
 FIG. 4 is a front elevation view thereof;  
 FIG. 5 is a left side view thereof;  
 FIG. 6 is a right side view thereof; and  
 FIG. 7 is a top plan view thereof;  
 FIG. 8 is a bottom plan view thereof; and,  
 FIG. 9 is a right front perspective view thereof.  
 The broken lines show environmental structure and form no part of the claimed design.

**1 Claim, 9 Drawing Sheets**





**FIG. 1**



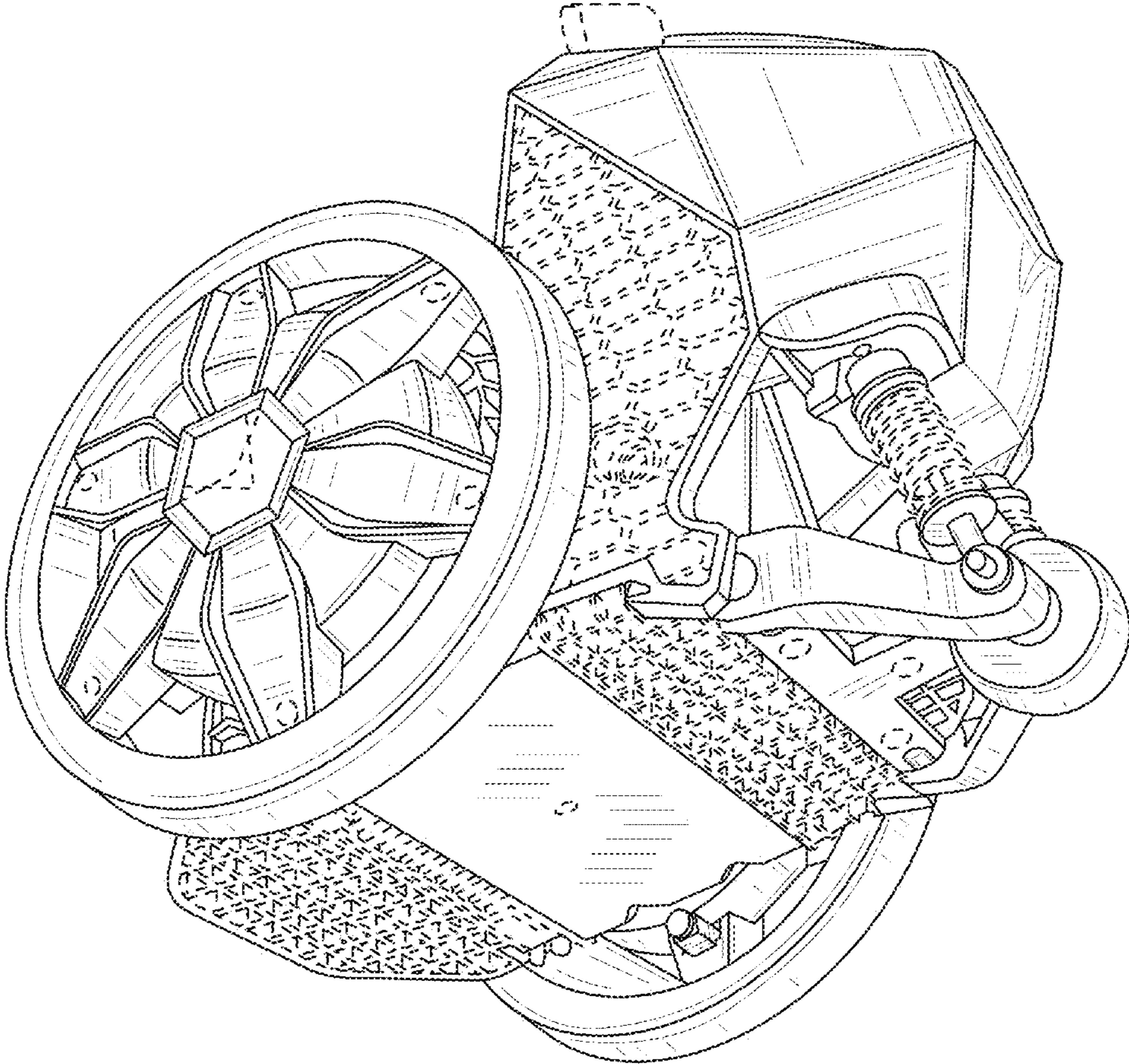
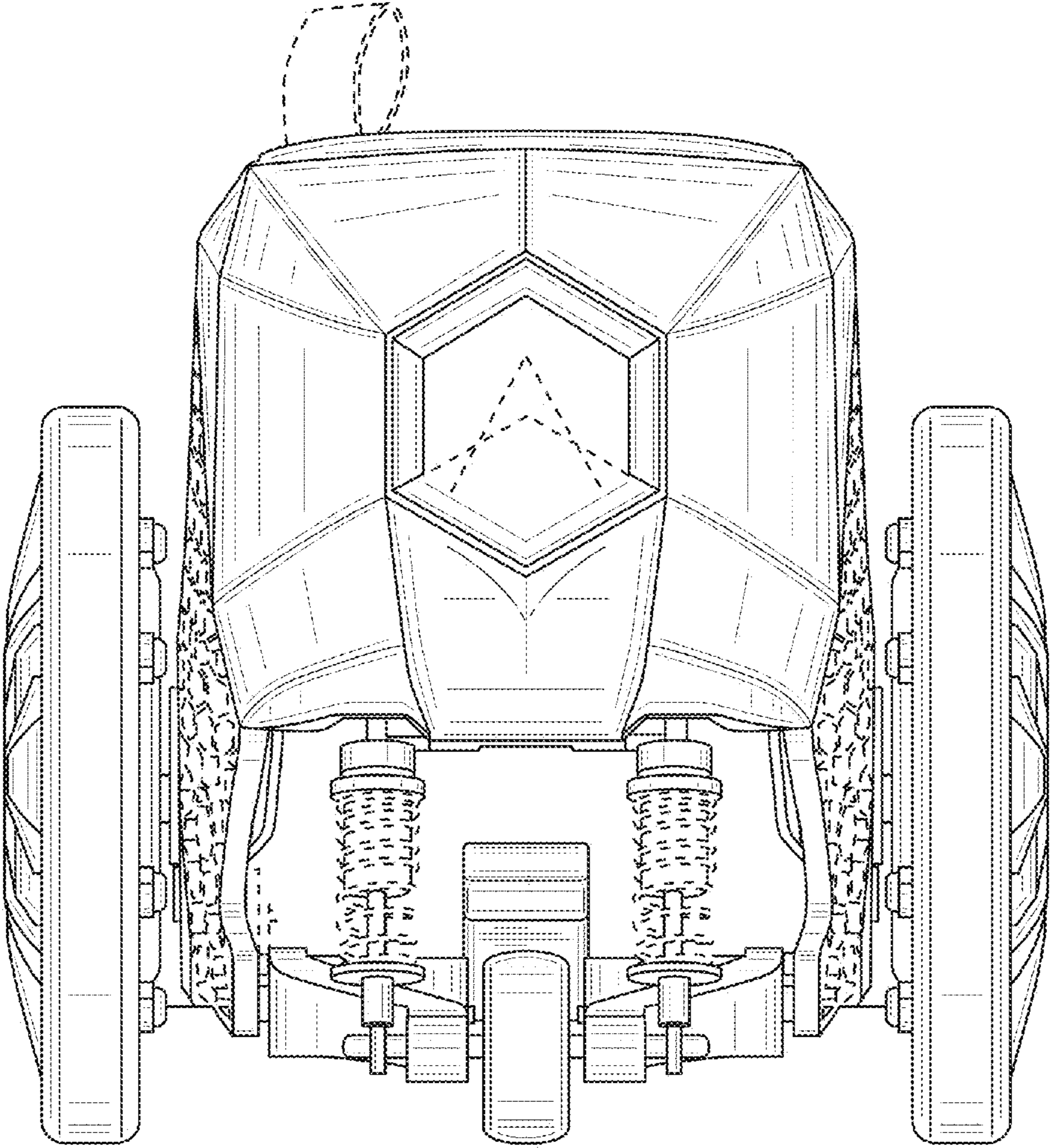
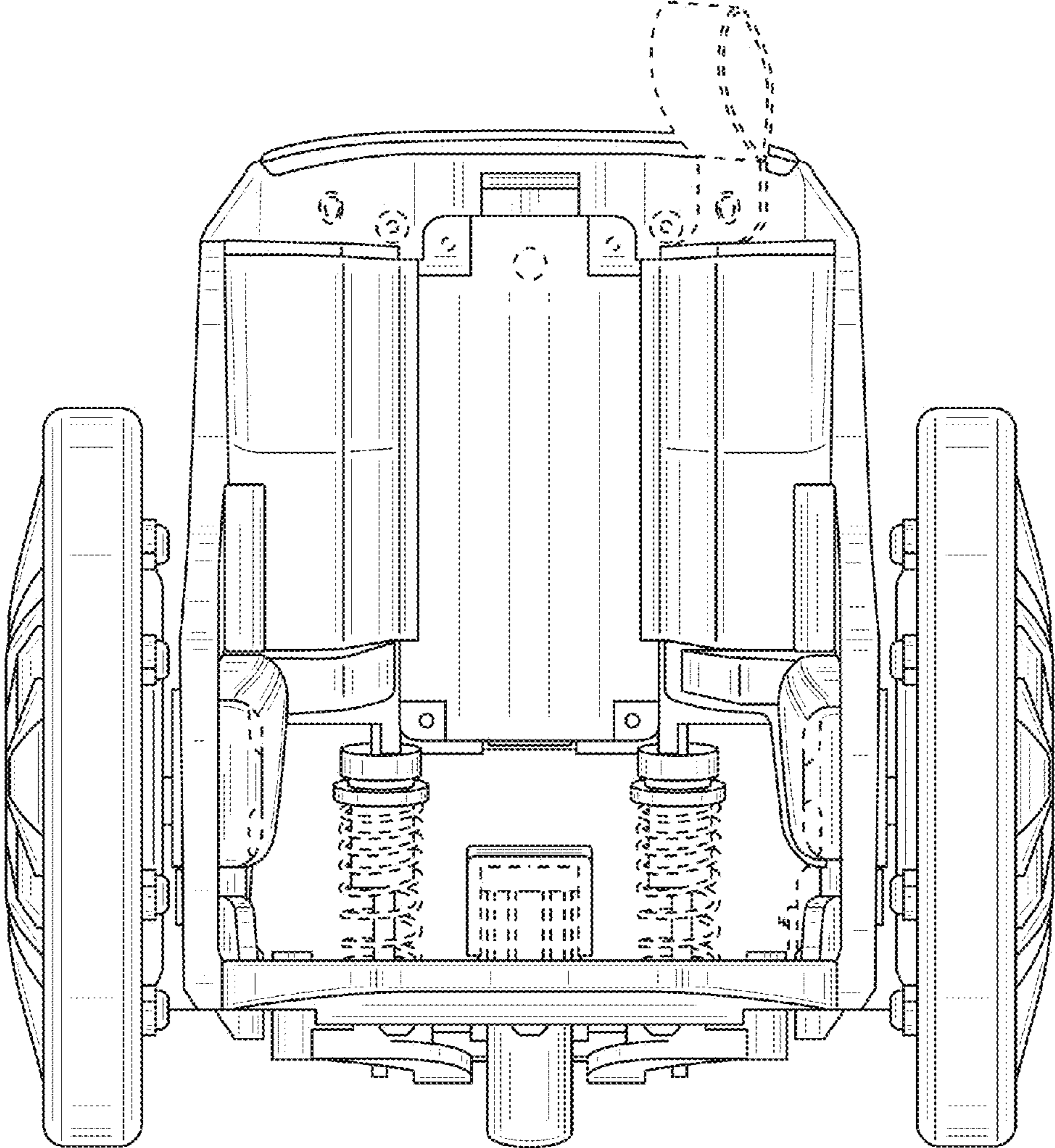


FIG. 2

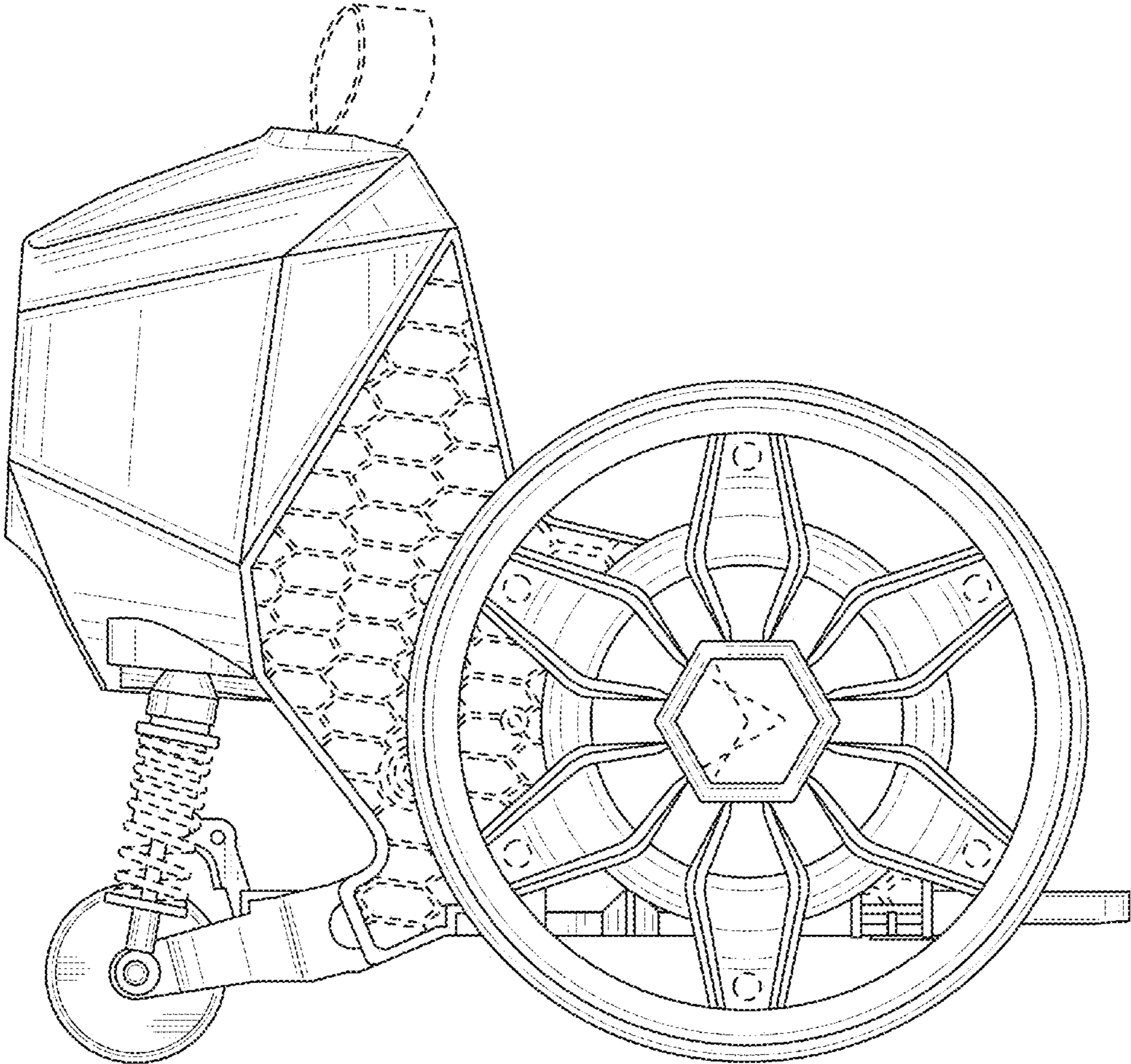


**FIG. 3**

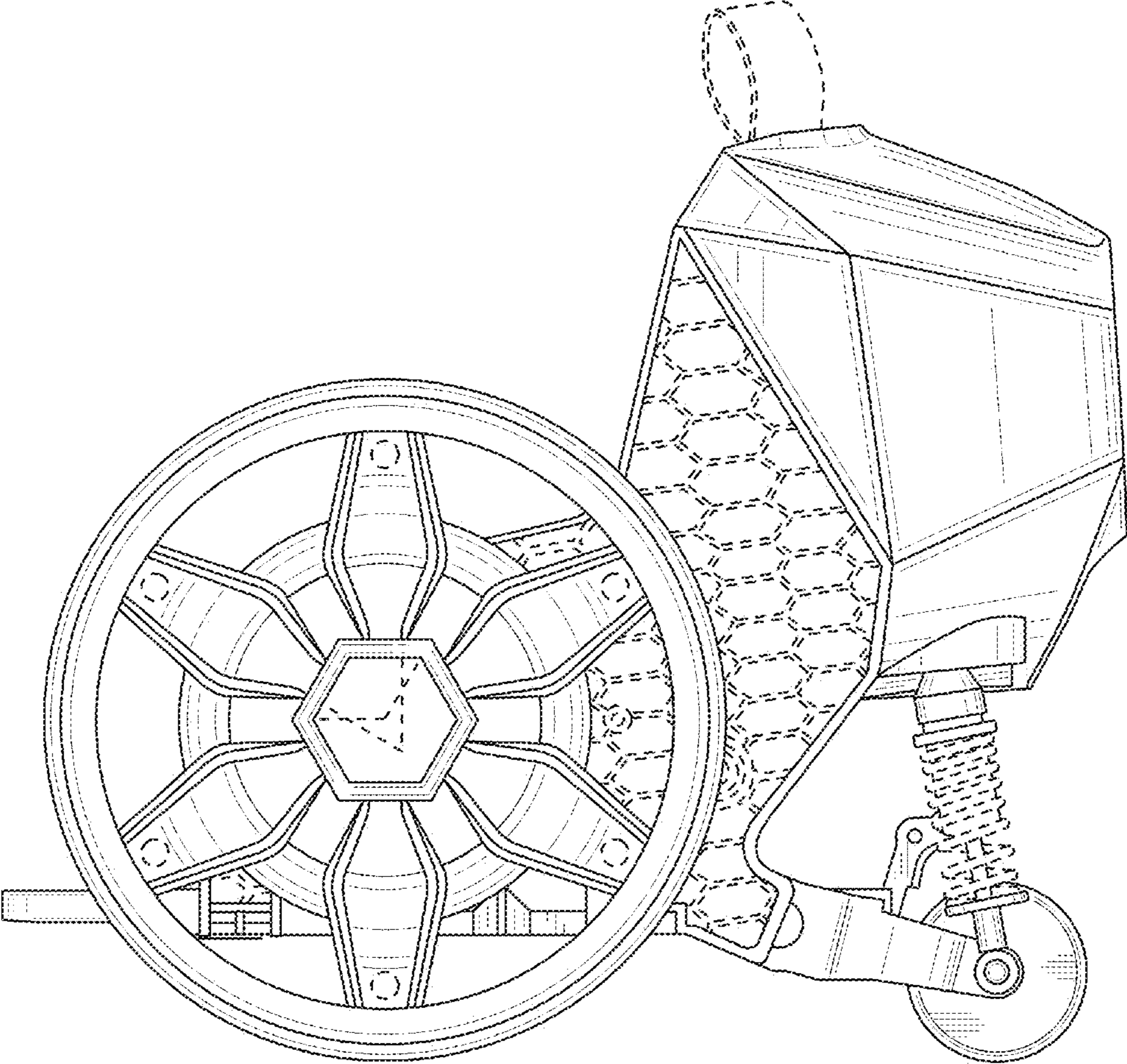


**FIG. 4**

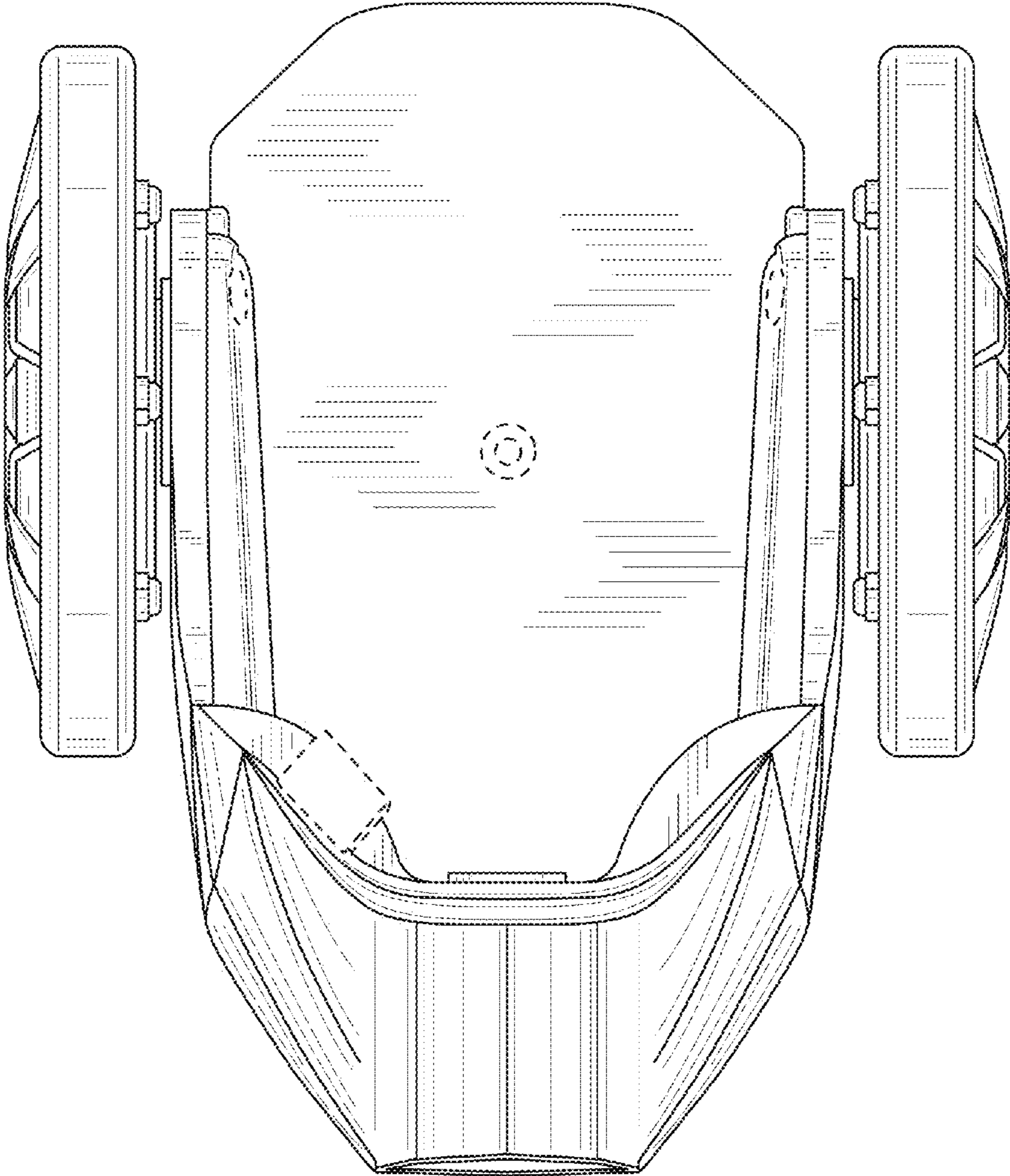




**FIG. 5**



**FIG. 6**



**FIG. 7**



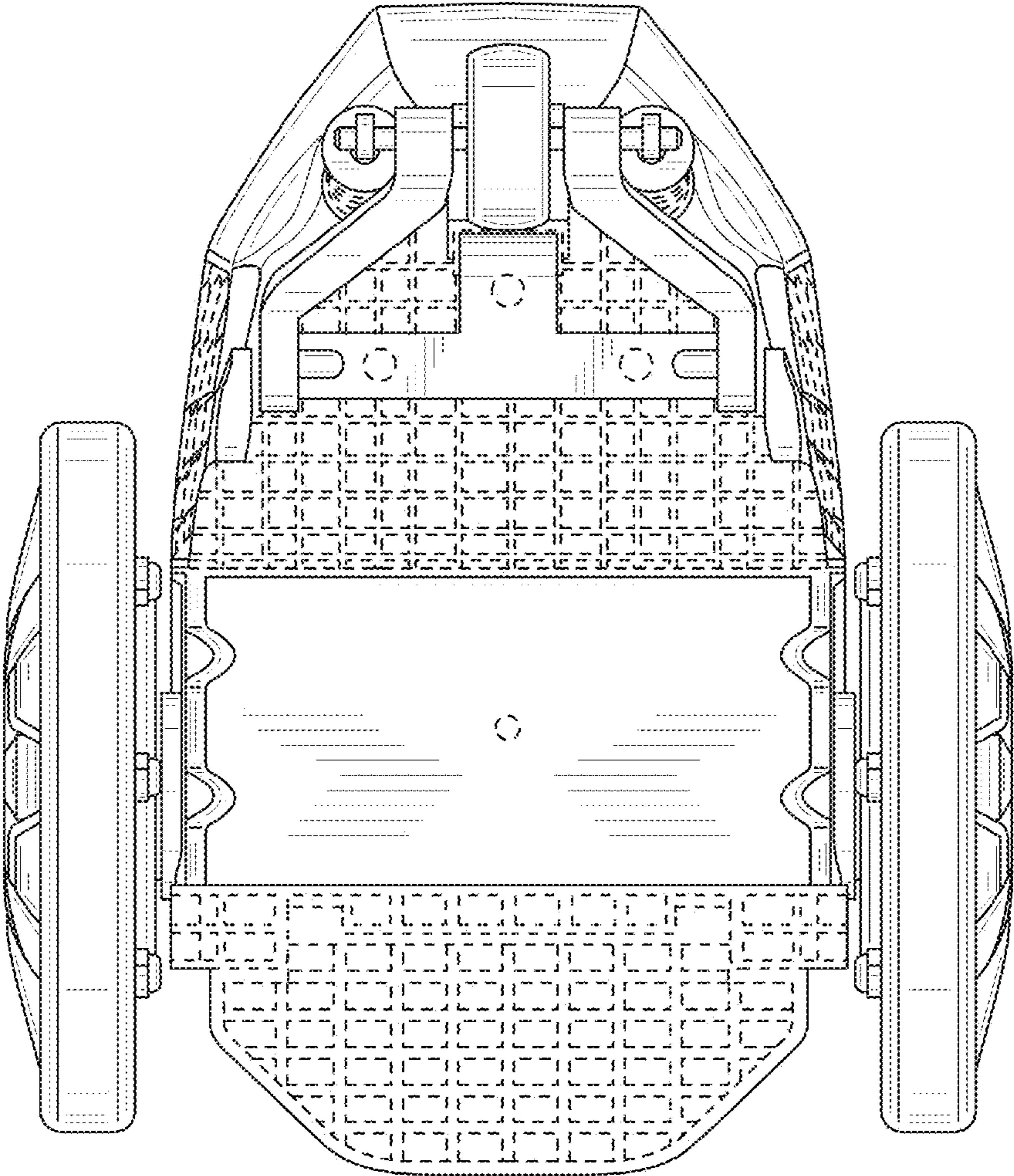
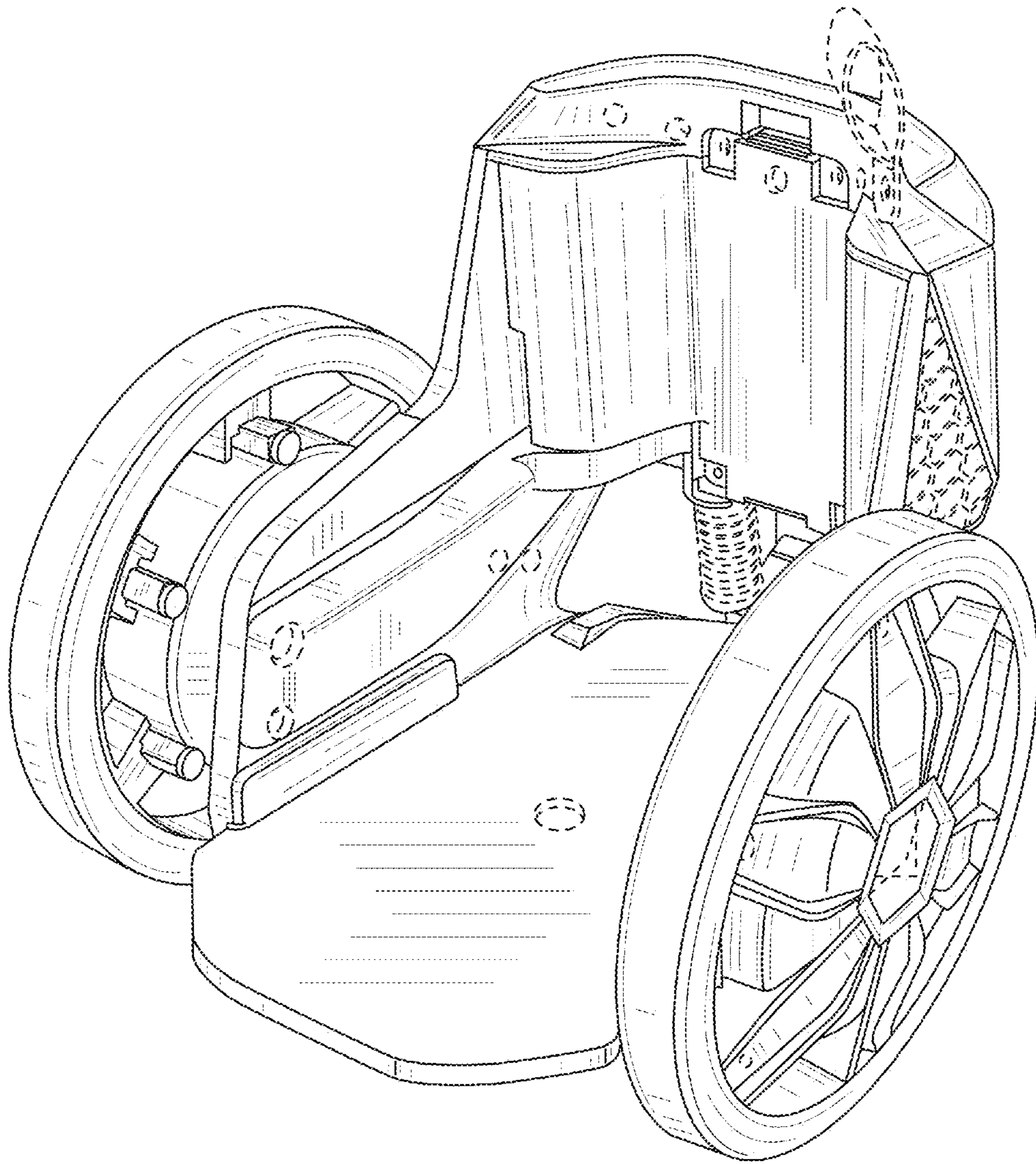


FIG. 8



**FIG. 9**