

US00D764613S

(12) **United States Design Patent**  
**Noyes et al.**

(10) **Patent No.:** **US D764,613 S**  
(45) **Date of Patent:** **\*\* Aug. 23, 2016**

(54) **GOLF CLUB FACE SCORELINE PATTERN**

(71) Applicant: **CALLAWAY GOLF COMPANY**,  
Carlsbad, CA (US)

(72) Inventors: **Mark Noyes**, Rancho Santa Margarita,  
CA (US); **Wayne H. Byrne**, Murietta,  
CA (US)

(73) Assignee: **Callaway Golf Company**, Carlsbad, CA  
(US)

(\*\*) Term: **15 Years**

(21) Appl. No.: **29/530,058**

(22) Filed: **Jun. 12, 2015**

**Related U.S. Application Data**

(63) Continuation-in-part of application No. 29/492,402,  
filed on May 30, 2014, now abandoned.

(51) **LOC (10) Cl.** ..... **21-02**

(52) **U.S. Cl.**  
USPC ..... **D21/759**

(58) **Field of Classification Search**  
USPC ..... D21/733, 752, 759  
CPC .... A63B 53/00; A63B 53/04; A63B 53/0466;  
A63B 2053/002; A63B 2053/0445; A63B  
2053/0433; A63B 2053/0437; A63B  
2053/0491

See application file for complete search history.

(56) **References Cited**

**U.S. PATENT DOCUMENTS**

D389,542 S *	1/1998	Rollinson	.....	D21/759
D396,513 S *	7/1998	Rollinson	.....	D21/733
D405,492 S *	2/1999	Kubica	.....	D21/753
D412,956 S *	8/1999	Urbanski	.....	D21/733
D415,808 S *	10/1999	Helmstetter	.....	D21/759

D425,159 S *	5/2000	Helmstetter	.....	D21/759
D437,376 S *	2/2001	Solheim	.....	D21/759
D437,904 S *	2/2001	Galloway	.....	D21/759
D437,905 S *	2/2001	Galloway	.....	D21/759
D443,323 S *	6/2001	Solheim	.....	D21/759
D446,834 S *	8/2001	Hocknell	.....	D21/759
D447,527 S *	9/2001	Hocknell	.....	D21/759
D447,528 S *	9/2001	McCabe	.....	D21/759
D457,585 S *	5/2002	Smith	.....	D21/759
D457,930 S *	5/2002	Soracco	.....	D21/759
D464,388 S *	10/2002	Imamoto	.....	D21/752
D465,537 S *	11/2002	Poynor	.....	D21/759
D465,822 S *	11/2002	Rice	.....	D21/759
D467,293 S *	12/2002	Madore	.....	D21/759
D474,824 S *	5/2003	Poynor	.....	D21/759
D474,825 S *	5/2003	Poynor	.....	D21/759
D476,388 S *	6/2003	Burnett	.....	D21/759
D486,195 S *	2/2004	Cleveland	.....	D21/759
D487,126 S *	2/2004	Sanchez	.....	D21/759
D487,787 S *	3/2004	Cleveland	.....	D21/759
D503,761 S *	4/2005	Tuerschmann	.....	D21/759
D506,238 S *	6/2005	Rollinson	.....	D21/759
D508,102 S *	8/2005	Poynor	.....	D21/759

(Continued)

*Primary Examiner* — Mitchell Siegel

(74) *Attorney, Agent, or Firm* — Rebecca Hanovice;  
Michael Catania; Sonia Lari

(57) **CLAIM**

The ornamental design for a golf club face scoreline pattern,  
as shown and described.

**DESCRIPTION**

FIG. 1 is a front elevational of a golf club face scoreline  
pattern;

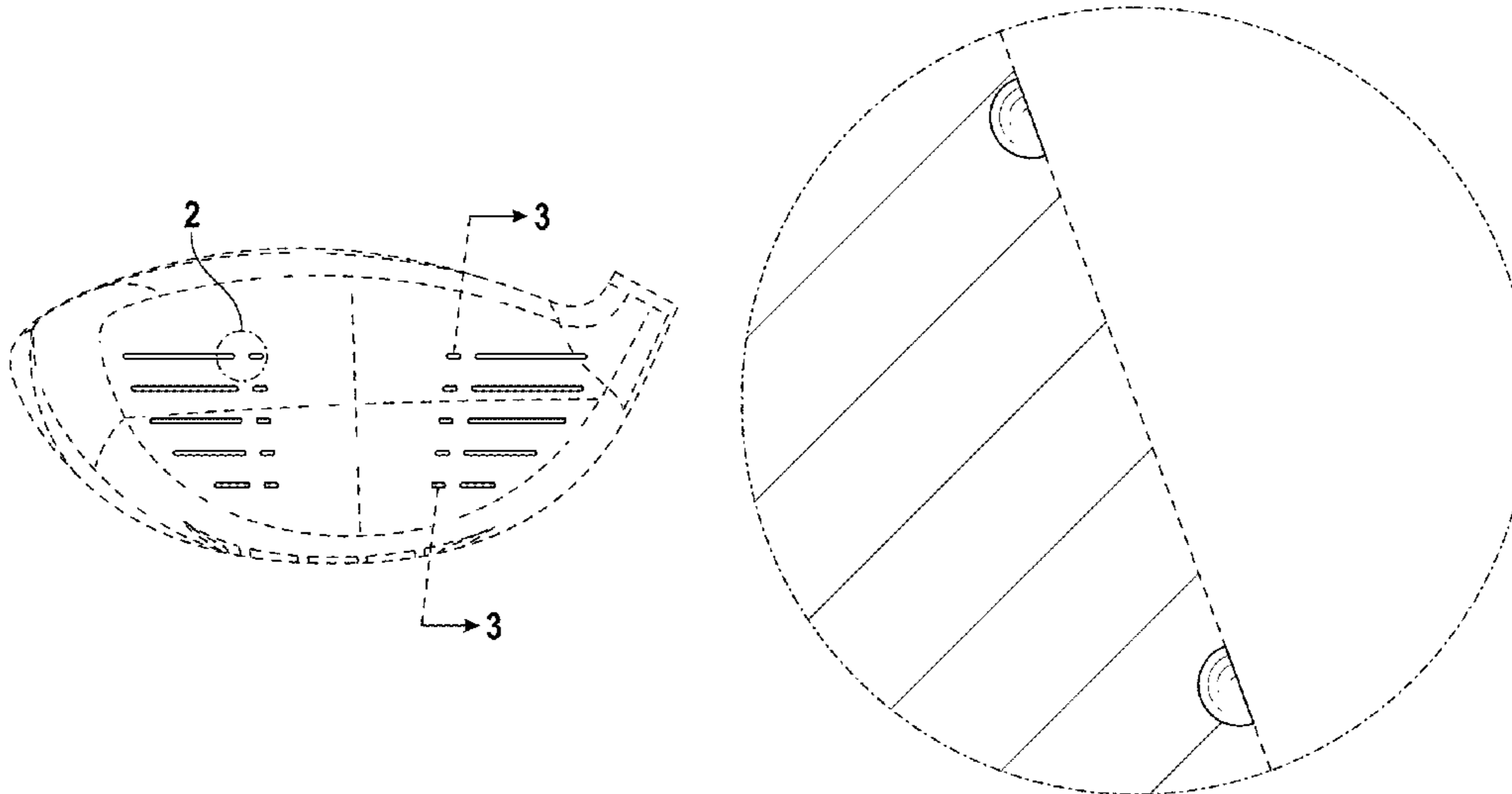
FIG. 2 is an enlarged view taken on circle 2 of FIG. 1;

FIG. 3 is a cross sectional view taken on line 3-3 of FIG. 1;  
and,

FIG. 4 is an enlarged view taken on circle 4 of FIG. 3.

The broken lines in the drawings illustrate unclaimed features  
of the golf club face scoreline pattern.

**1 Claim, 2 Drawing Sheets**



(56)

**References Cited**

U.S. PATENT DOCUMENTS

D510,396 S \* 10/2005 Rollinson ..... D21/759  
D511,361 S \* 11/2005 Brookshire-Herron ..... D21/759  
D513,052 S \* 12/2005 Tuerschmann ..... D21/759  
D521,585 S \* 5/2006 Hasebe ..... D21/759  
D524,391 S \* 7/2006 Hasebe ..... D21/759  
D527,780 S \* 9/2006 Sanchez ..... D21/759  
D530,763 S \* 10/2006 Evans ..... D21/759

D532,070 S \* 11/2006 Solari ..... D21/759  
D534,977 S \* 1/2007 Evans ..... D21/759  
D538,870 S \* 3/2007 Chick ..... D21/759  
D544,935 S \* 6/2007 Chick ..... D21/759  
D544,936 S \* 6/2007 Chick ..... D21/759  
D544,937 S \* 6/2007 Serrano ..... D21/759  
D545,390 S \* 6/2007 Kuan ..... D21/759  
D553,700 S \* 10/2007 Rollinson ..... D21/759  
D554,214 S \* 10/2007 Chen ..... D21/759

\* cited by examiner

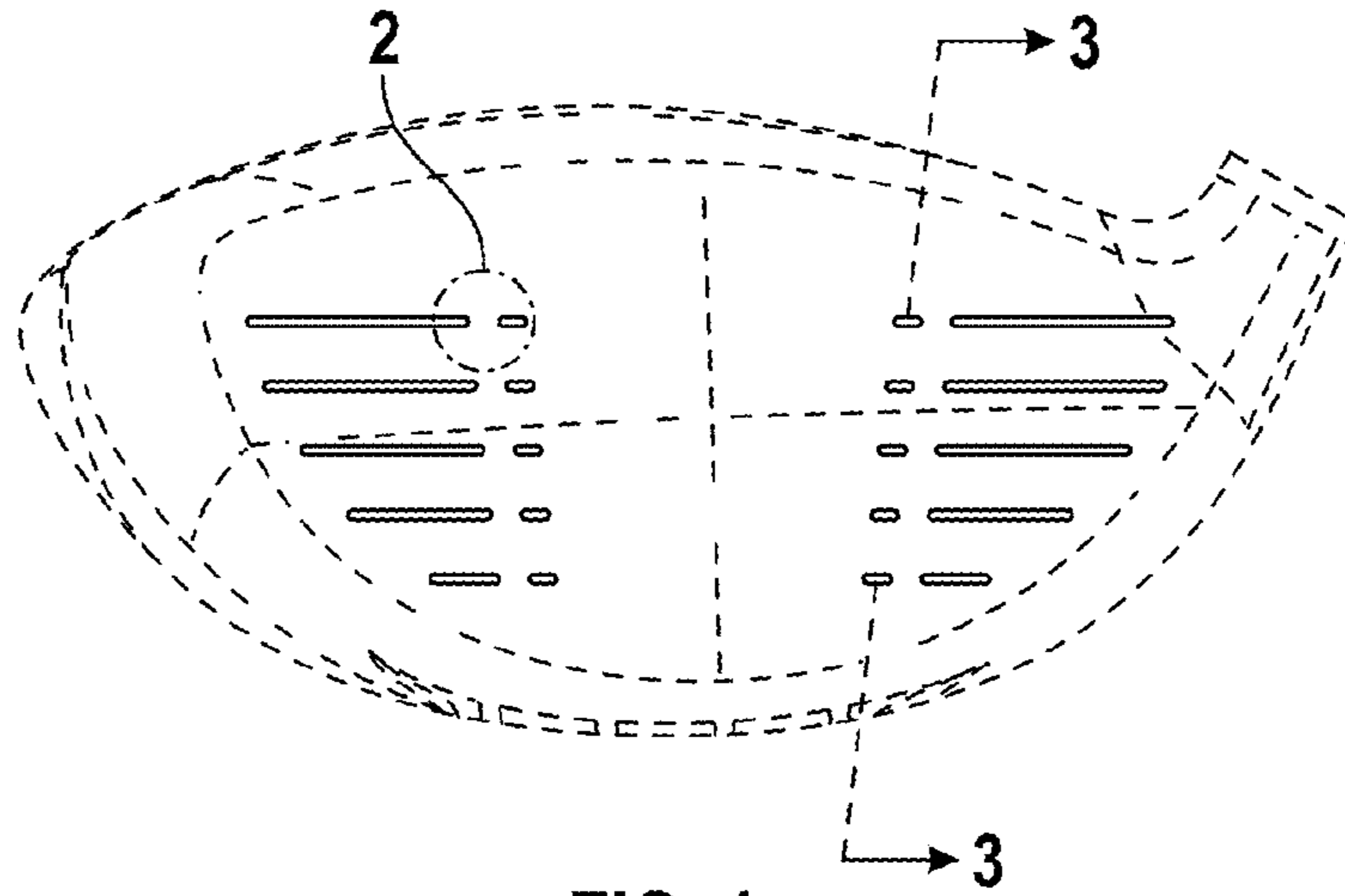


FIG. 1

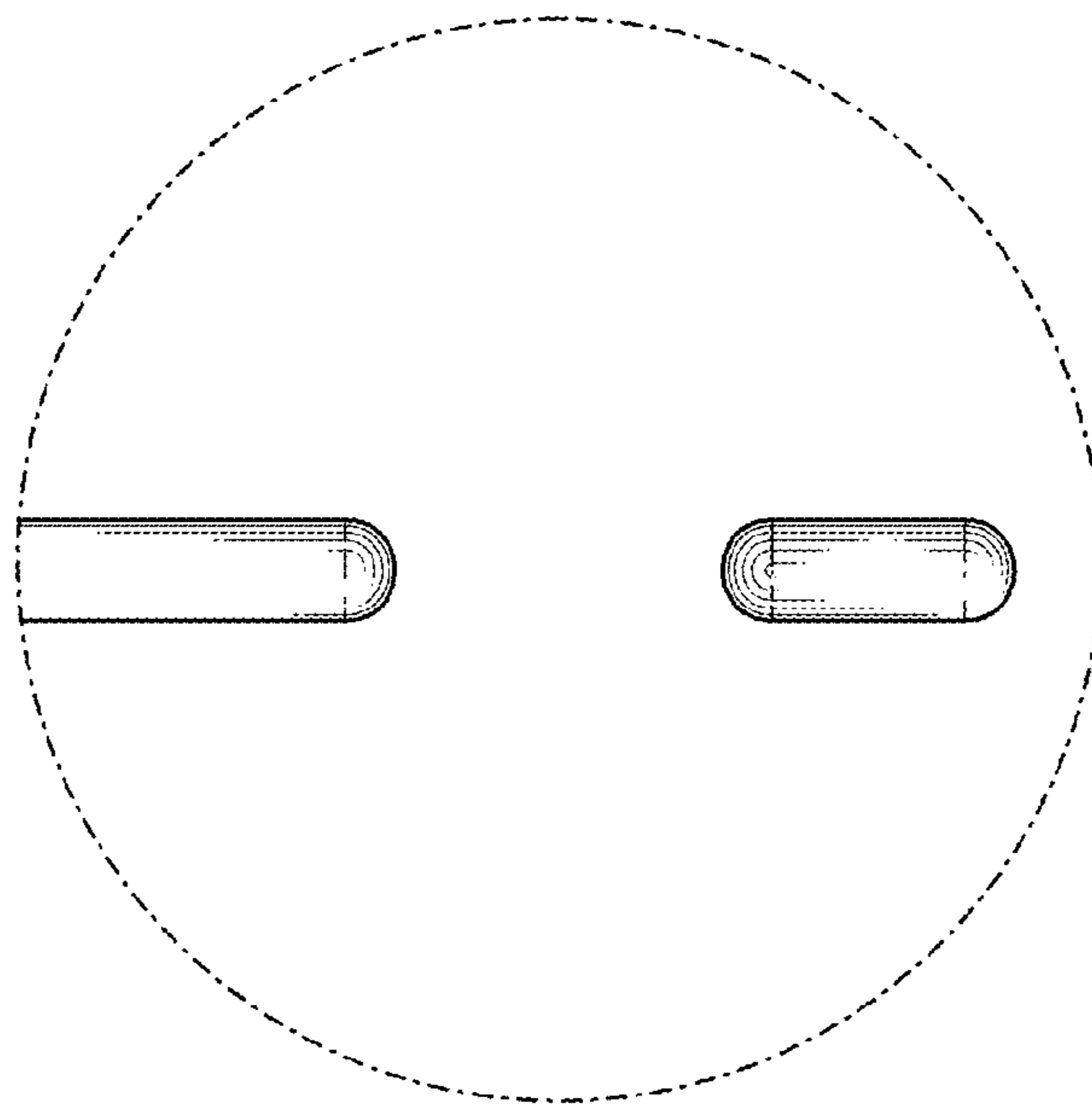


FIG. 2

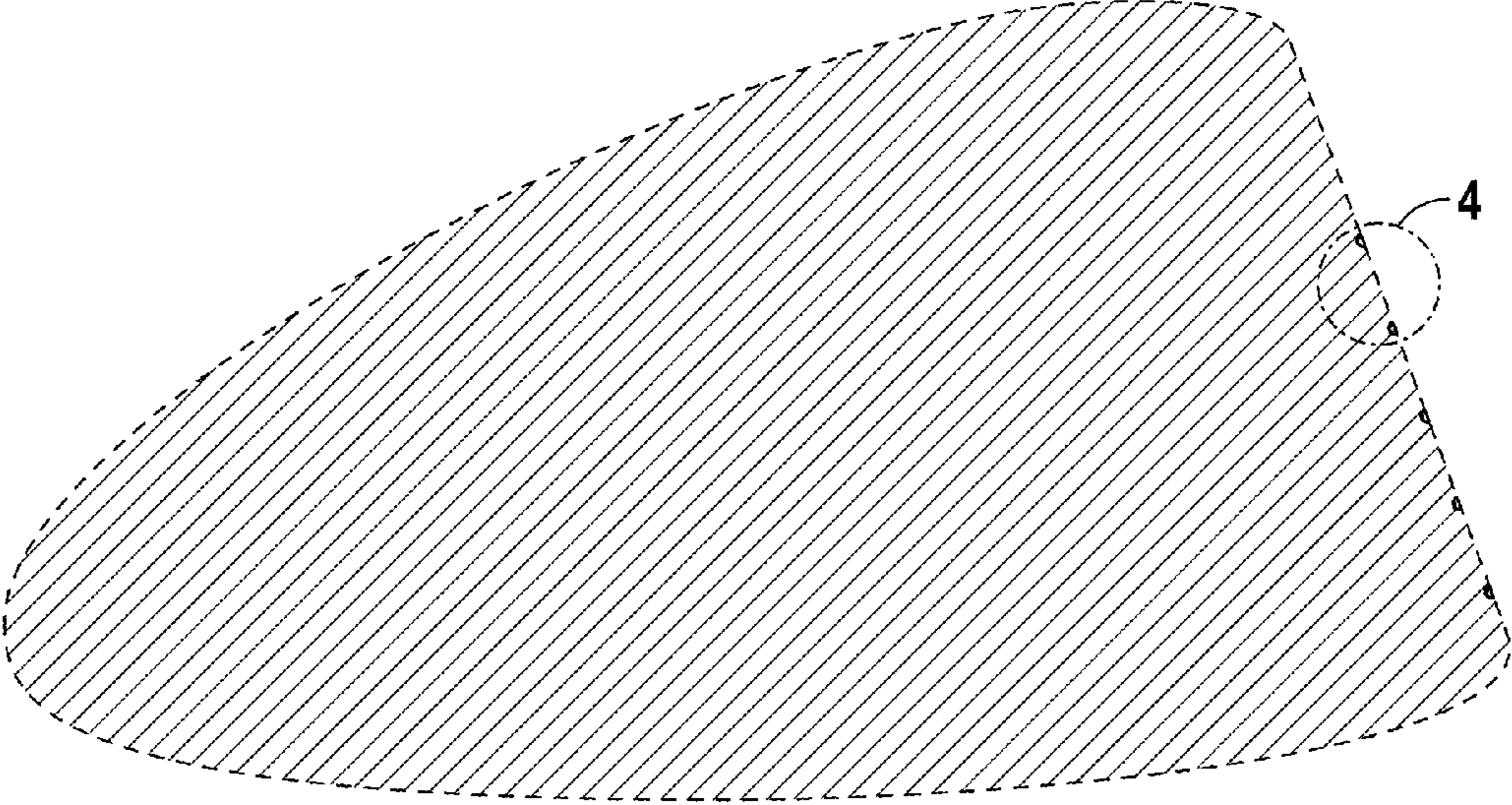


FIG. 3

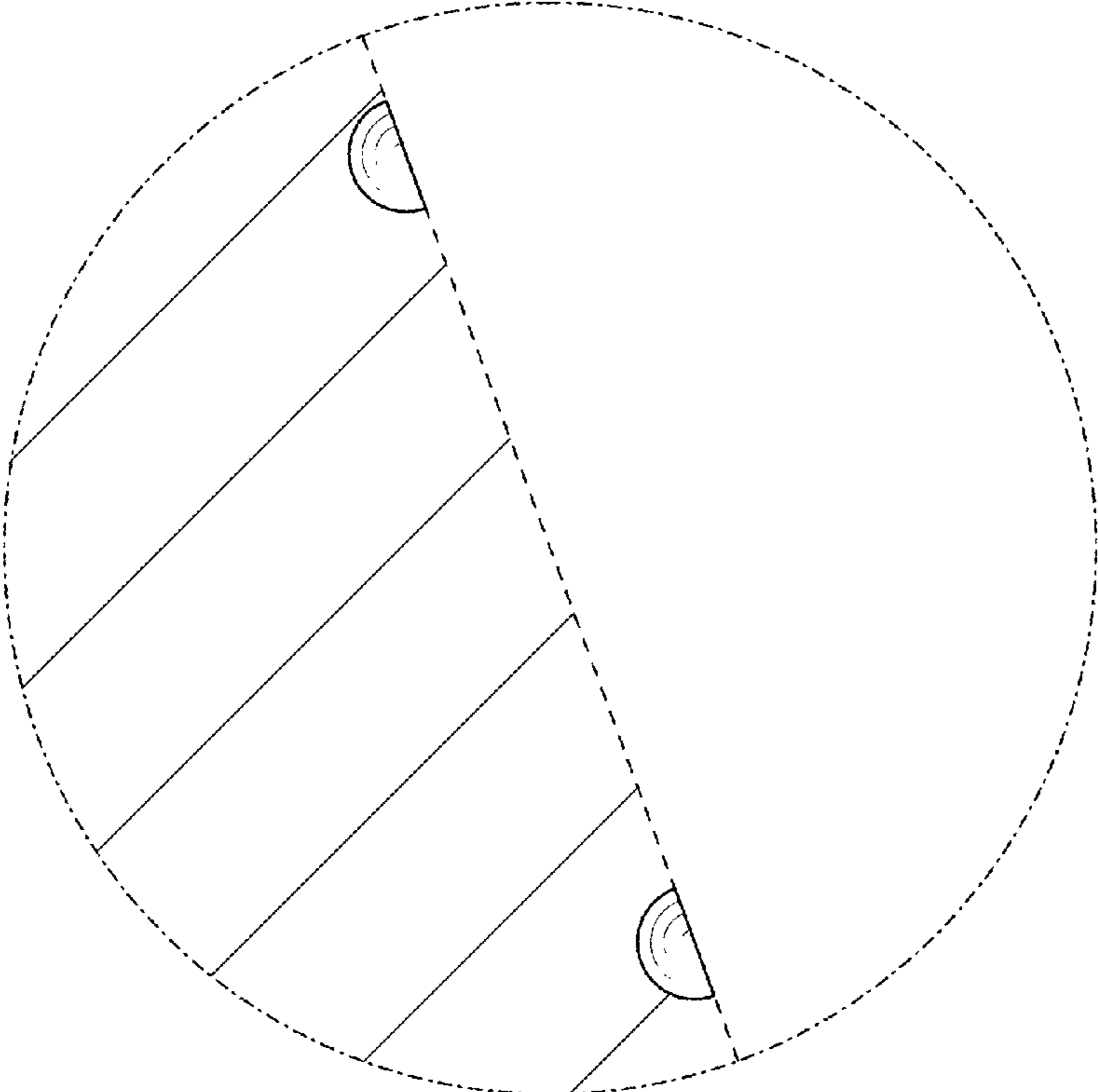


FIG. 4