



US00D764609S

(12) **United States Design Patent** (10) **Patent No.:** **US D764,609 S**  
**Cox** (45) **Date of Patent:** **\*\* Aug. 23, 2016**

(54) **MULTI USE GOLF TEE**  
(71) Applicant: **Terry A. Cox**, Cincinnati, OH (US)  
(72) Inventor: **Terry A. Cox**, Cincinnati, OH (US)  
(\*\*) Term: **14 Years**  
(21) Appl. No.: **29/518,007**  
(22) Filed: **Feb. 19, 2015**  
(51) **LOC (10) Cl.** ..... **21-02**  
(52) **U.S. Cl.**  
USPC ..... **D21/718**  
(58) **Field of Classification Search**  
USPC ..... D21/715-721, 789-796  
CPC ..... A63B 57/0012; A63B 57/0032; A63B 57/10; A63B 57/12; A63B 57/13; A63B 57/15; A63B 57/16; A63B 57/18; A63B 57/19; A63B 57/20; A63B 57/203; A63B 57/207; A63B 57/30; A63B 57/35; A63B 57/353; A63B 69/3661  
See application file for complete search history.

(56) **References Cited**  
**U.S. PATENT DOCUMENTS**  
2,529,771 A \* 11/1950 Herman ..... A63B 57/10 473/143  
D258,227 S \* 2/1981 Coonen ..... D21/718  
D378,117 S \* 2/1997 Aleamoni ..... D21/794  
D432,606 S \* 10/2000 Labbe ..... D21/718  
D477,373 S \* 7/2003 Holtz ..... D21/717  
6,960,143 B2 \* 11/2005 Sato ..... A63B 57/10 473/387  
D538,874 S \* 3/2007 Ceruti ..... D21/796  
D623,248 S \* 9/2010 Cheng ..... D21/718  
D722,121 S \* 2/2015 Cox ..... D21/718  
2002/0022538 A1 \* 2/2002 Choi ..... A63B 57/10 473/396  
2005/0085319 A1 \* 4/2005 Eckert ..... A63B 57/10 473/399  
2006/0079350 A1 \* 4/2006 Lu ..... A63B 57/10 473/387  
2007/0042840 A1 \* 2/2007 Su ..... A63B 57/10 473/387

2007/0111825 A1 \* 5/2007 Lee ..... A63B 57/10 473/386  
2008/0096694 A1 \* 4/2008 Chang ..... A63B 57/10 473/397  
2008/0119305 A1 \* 5/2008 Wong ..... A63B 57/10 473/396  
2008/0274836 A1 \* 11/2008 Lee ..... A63B 57/10 473/391  
2008/0287219 A1 \* 11/2008 Gyorgyi ..... A63B 57/0031 473/386

**FOREIGN PATENT DOCUMENTS**

BE 1008205 A3 \* 2/1996 ..... A63B 57/10  
CA 2532940 A1 \* 7/2006 ..... A63B 57/10  
WO WO 2009075498 A2 \* 6/2009 ..... A63B 57/12

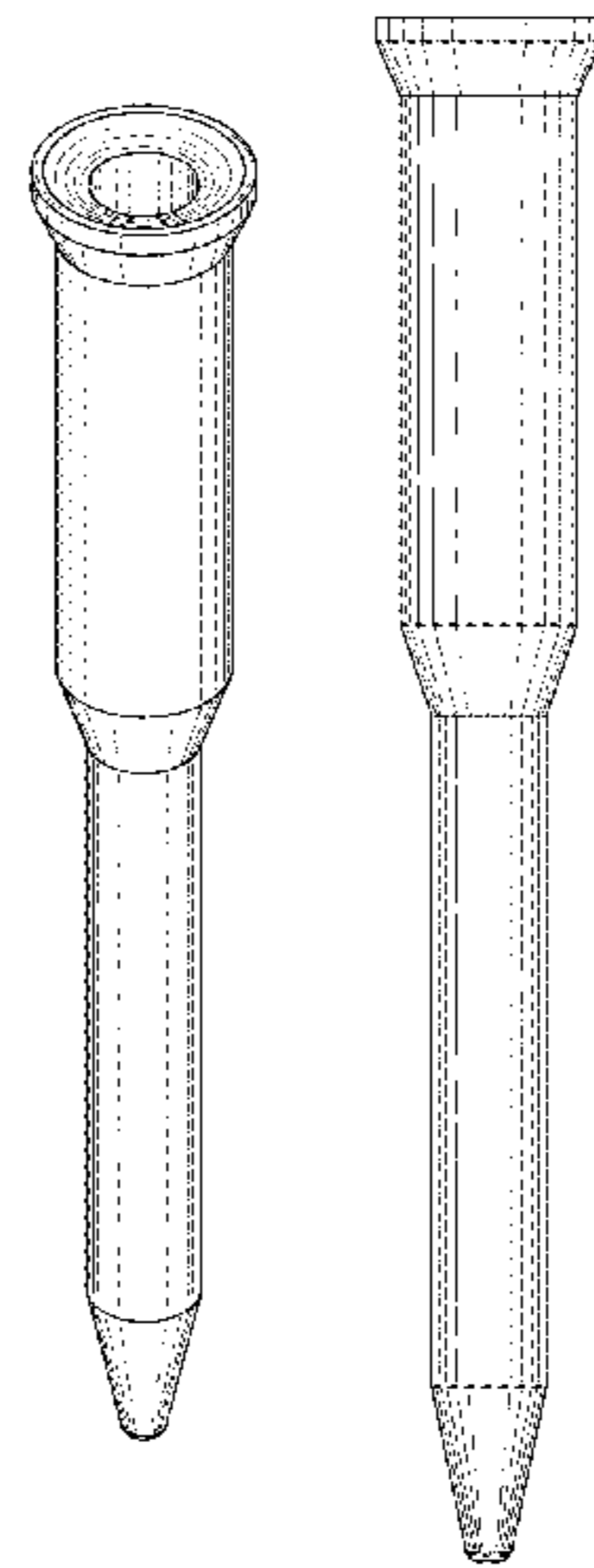
\* cited by examiner  
*Primary Examiner* — Catherine Tuttle

(57) **CLAIM**  
The ornamental design for a multi use golf tee, as shown and described.

**DESCRIPTION**

FIG. 1 is a perspective view of a multi use golf tee showing my new design;  
FIG. 2 is a bottom plan view thereof;  
FIG. 3 is a front view thereof;  
FIG. 4 is a back view thereof;  
FIG. 5 is a left view thereof;  
FIG. 6 is a right view thereof;  
FIG. 7 is a top plan view thereof;  
FIG. 8 is an exploded perspective view thereof, showing the design in association with a broken tee; and  
FIG. 9 is a right view thereof, showing the plane upon which a cross sectional view is taken and shown in FIG. 10; and,  
FIG. 10 is a perspective cross section view thereof taken along line 10-10 of FIG. 9.  
The broken tee in FIG. 8 is included for the purpose of illustrating environmental structure and forms no part of the claimed design.

**1 Claim, 10 Drawing Sheets**



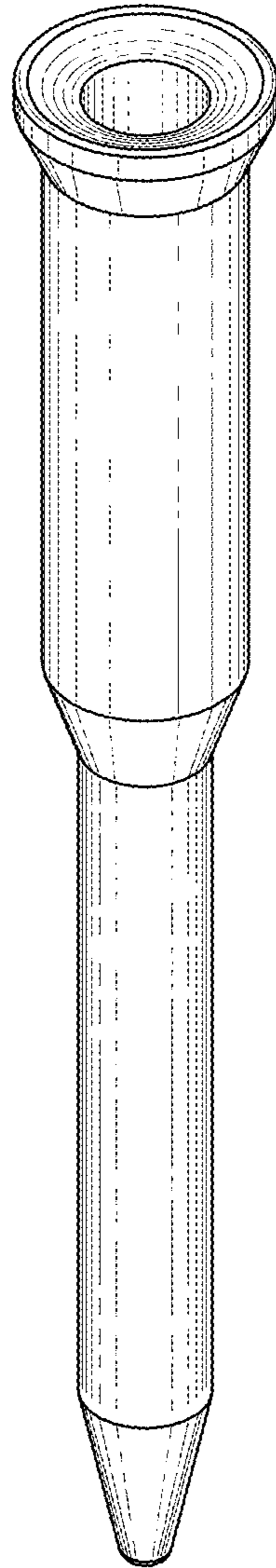


FIG. 1

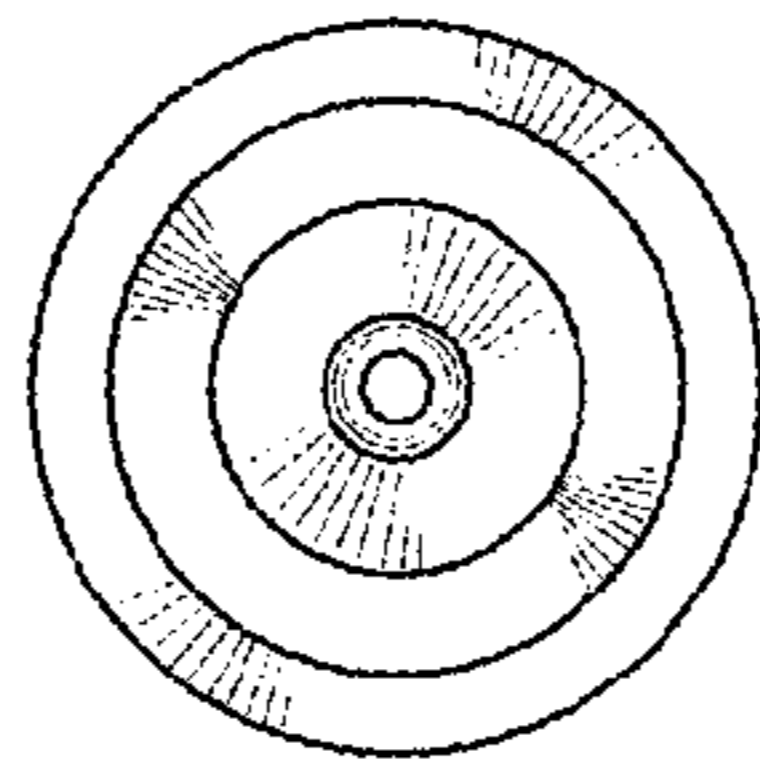


FIG. 2

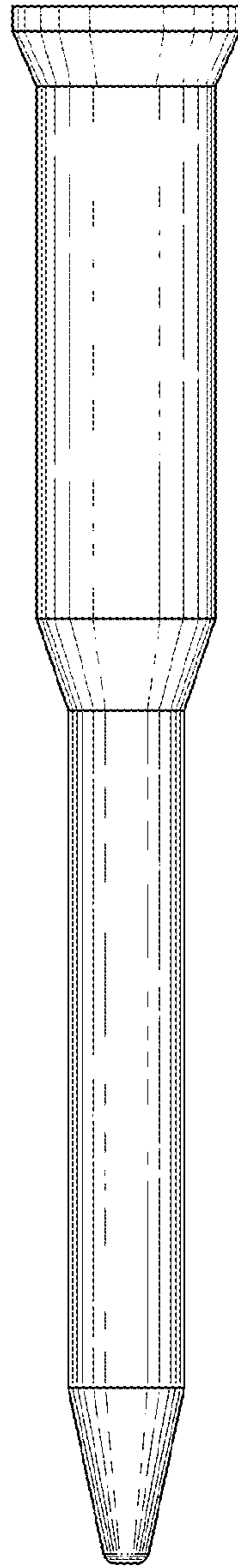


FIG. 3

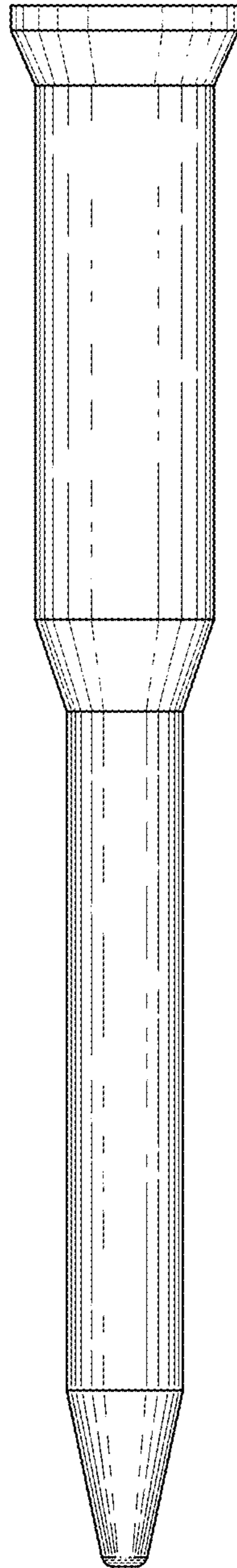


FIG. 4

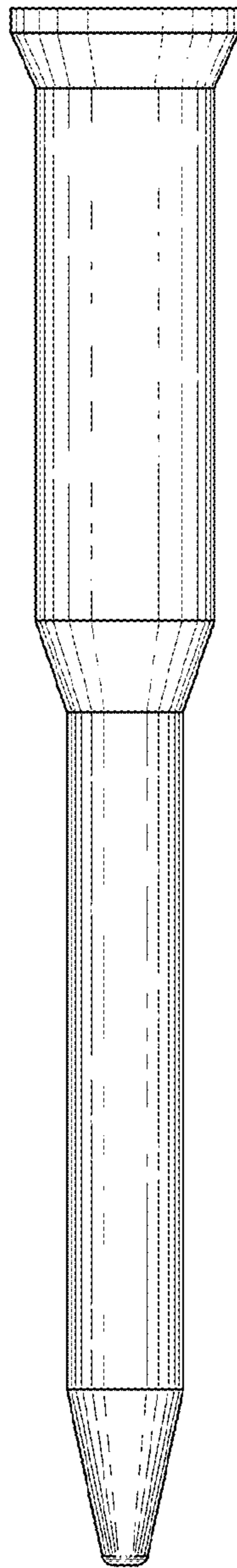


FIG. 5

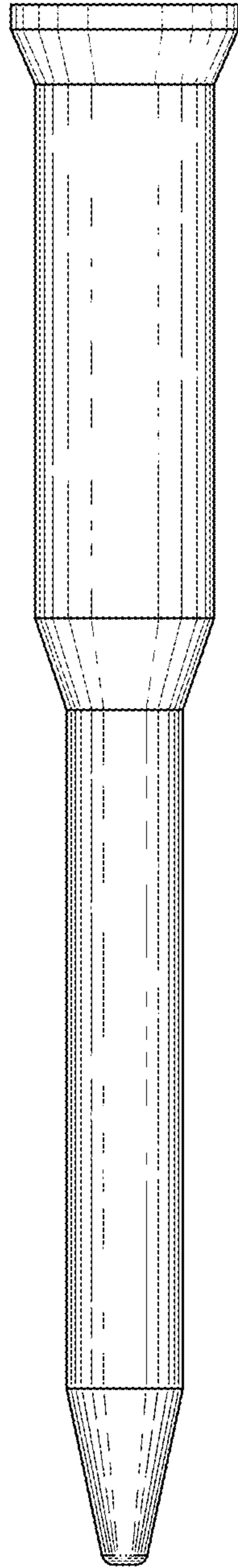


FIG. 6

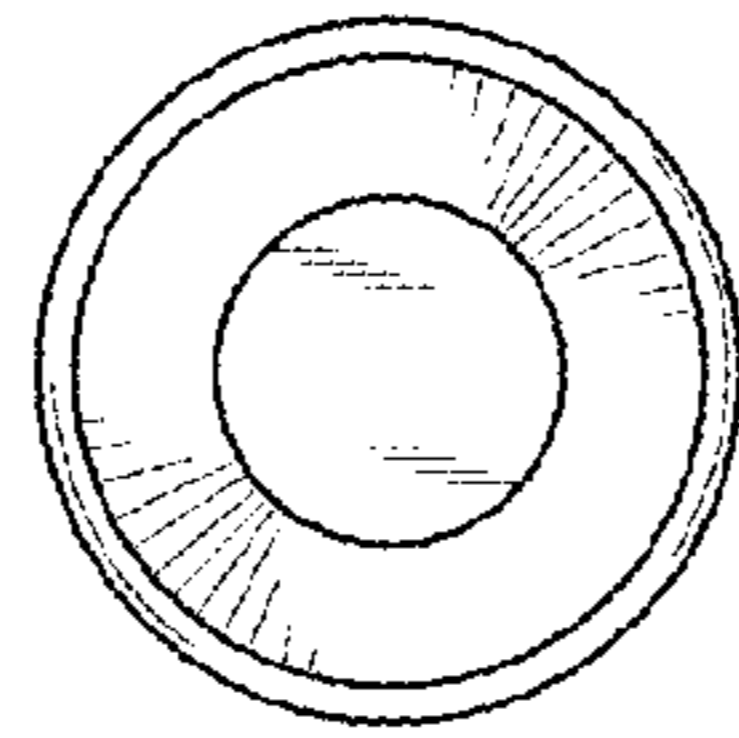


FIG. 7



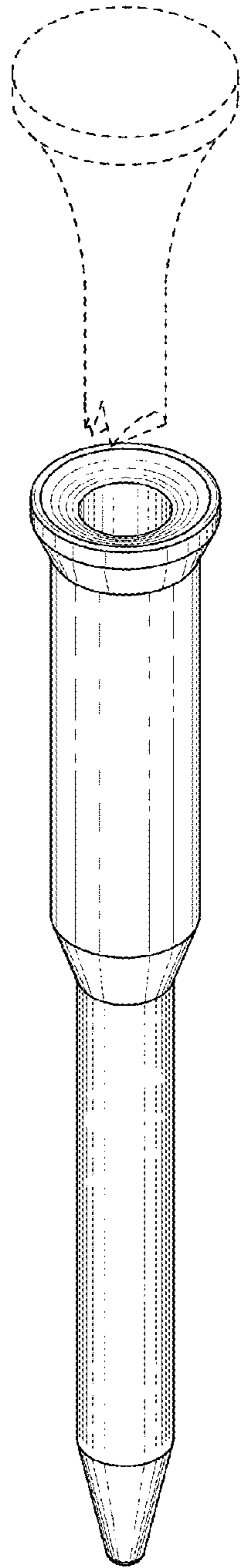


FIG. 8

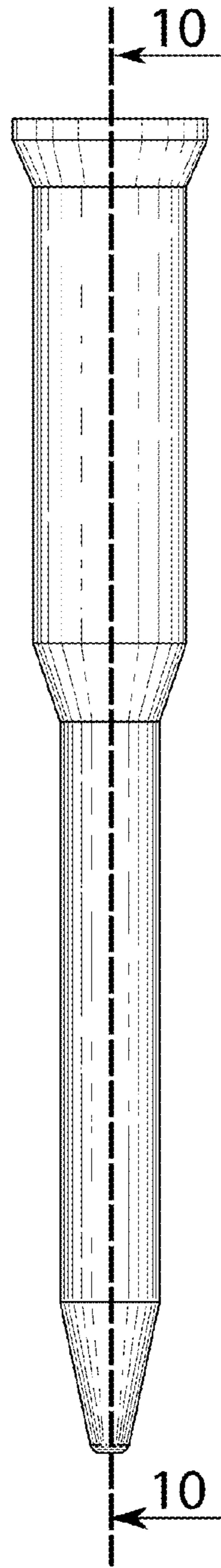


FIG. 9

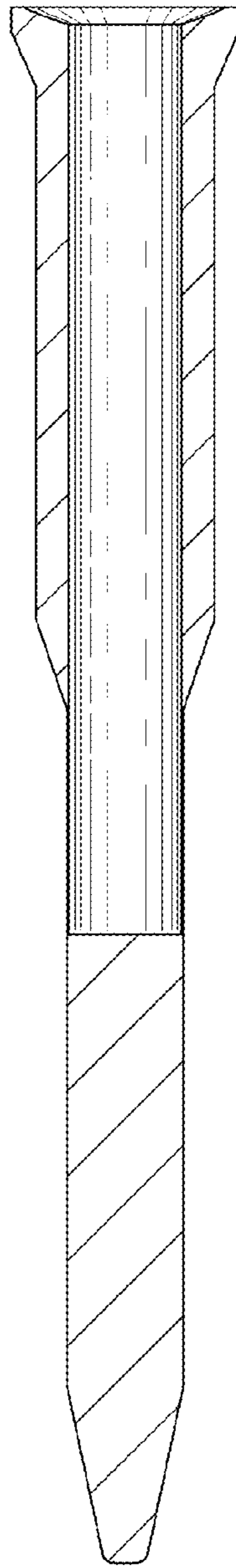


FIG. 10