



US00D764608S

(12) **United States Design Patent**
Jones

(10) **Patent No.:** **US D764,608 S**
(45) **Date of Patent:** **** Aug. 23, 2016**

(54) **FLEXIBLE BARBELL STRAP WITH AN OVER-CENTER CAM**

(71) Applicant: **Dylan Jones**, Santa Barbara, CA (US)

(72) Inventor: **Dylan Jones**, Santa Barbara, CA (US)

(**) Term: **15 Years**

7,494,451	B1	2/2009	Ramos	
7,513,856	B2	4/2009	Jones	
8,006,711	B2 *	8/2011	Pietrzak	A45B 9/00 135/65
8,397,421	B2 *	3/2013	Ding	F41G 11/003 42/124
D694,841	S *	12/2013	Ciminski	D21/681
8,776,810	B2 *	7/2014	Lah	A45B 9/00 135/65
D736,884	S *	8/2015	Lovley, II	D21/839
9,109,616	B1 *	8/2015	Ballentine	F16B 7/1454
9,212,777	B2 *	12/2015	Shi	F16M 13/022
9,297,477	B2 *	3/2016	Yoder	F16K 35/10

(21) Appl. No.: **29/544,453**

(22) Filed: **Nov. 3, 2015**

(51) **LOC (10) Cl.** **21-02**

(52) **U.S. Cl.**
USPC **D21/694**

(58) **Field of Classification Search**
USPC 482/107, 108, 106, 44, 148, 93, 910;
D21/694, 681, 679, 839; D8/396, 331,
D8/399, 394; D13/152, 154; D6/682;
D23/265; 24/580.11, DIG. 44, DIG. 53,
24/273, 530, 270, 524; 285/409, 366, 410,
285/411, 112, 373; 403/318, 359.3, 344,
403/362, 17, 374.5, 109.1; 135/75, 65, 76;
42/124, 127; 1/1
CPC Y10S 707/99938; G06F 17/30362;
G06F 9/526; G06F 9/52; E05B 47/0012;
A63B 21/0728

See application file for complete search history.

(56) **References Cited**

U.S. PATENT DOCUMENTS

D188,377	S *	7/1960	Martin	D13/152
3,113,791	A *	12/1963	Frost	F16L 17/04 24/270
D280,433	S *	9/1985	Lincir	D21/694
4,639,979	A	2/1987	Polson	
4,773,641	A	9/1988	Metz	
5,295,933	A *	3/1994	Ciminski	A63B 21/0728 24/270
D437,015	S *	1/2001	Rojas	D21/679
D550,075	S *	9/2007	Tung	D8/396
D584,604	S *	1/2009	Baldwin	D8/396

OTHER PUBLICATIONS

Lock-Jaw HEX by Lock-Jaw dated no date given. Found online [Jun. 16, 2016] <http://lockjawcollar.com/products/lock-jaw-hex>.*

* cited by examiner

Primary Examiner — Robert M Spear

Assistant Examiner — Ryan Harvey

(74) *Attorney, Agent, or Firm* — QuickPatents, LLC; Kevin Prince

(57) **CLAIM**

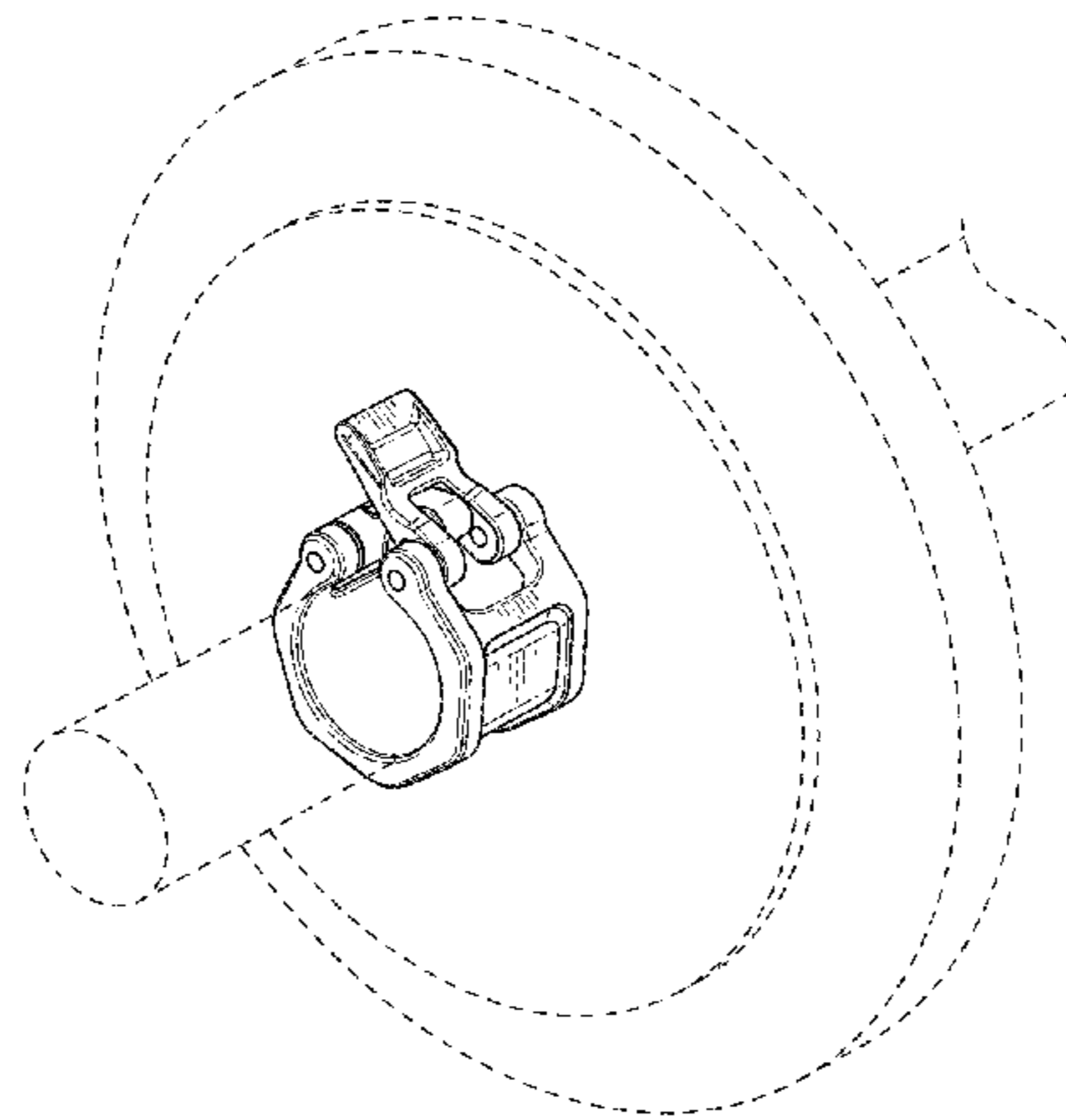
I claim the ornamental design for a flexible barbell strap with an over-center cam, as shown and described.

DESCRIPTION

FIG. 1 is a perspective view of a flexible barbell strap with an over-center cam showing my new design in a locked position; FIG. 2 is a right-side elevational view of FIG. 1; FIG. 3 is a left-side elevational view of FIG. 1; FIG. 4 is a front elevational view of FIG. 1; FIG. 5 is a rear elevational view of FIG. 1; FIG. 6 is a top plan view of FIG. 1; FIG. 7 is a bottom plan view of FIG. 1; FIG. 8 is a perspective view thereof, illustrated in an unlocked position; FIG. 9 is a right-side elevational view of FIG. 8; FIG. 10 is a left-side elevational view of FIG. 8; FIG. 11 is a front elevational view of FIG. 8; FIG. 12 is a rear elevational view of FIG. 8; FIG. 13 is a top plan view of FIG. 8; and, FIG. 14 is a bottom plan view of FIG. 8.

The broken lines showing a dumbbell and weight in FIGS. 1 and 8 depict environmental matter and form no part of the claimed design.

1 Claim, 8 Drawing Sheets



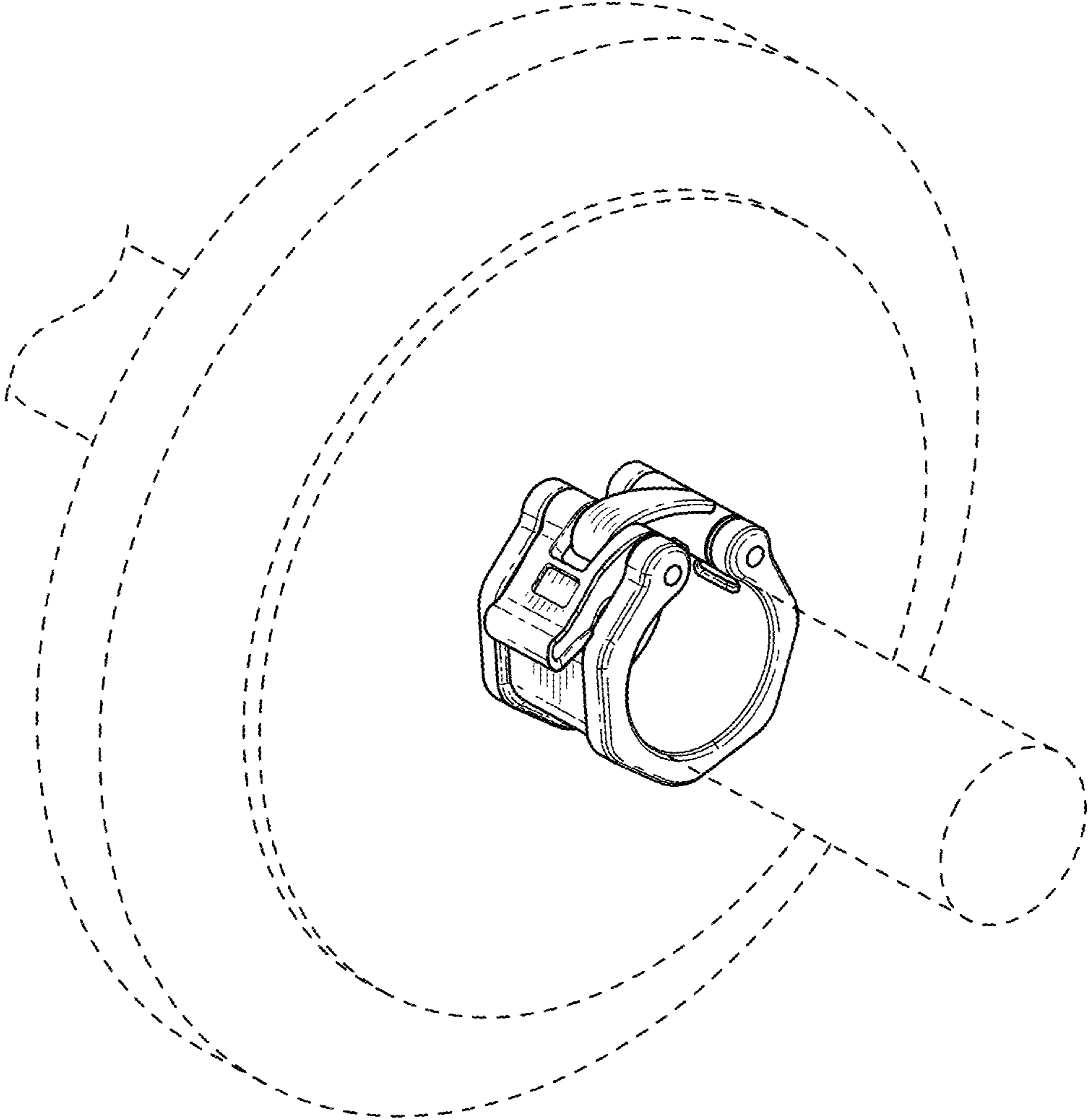


FIG. 1

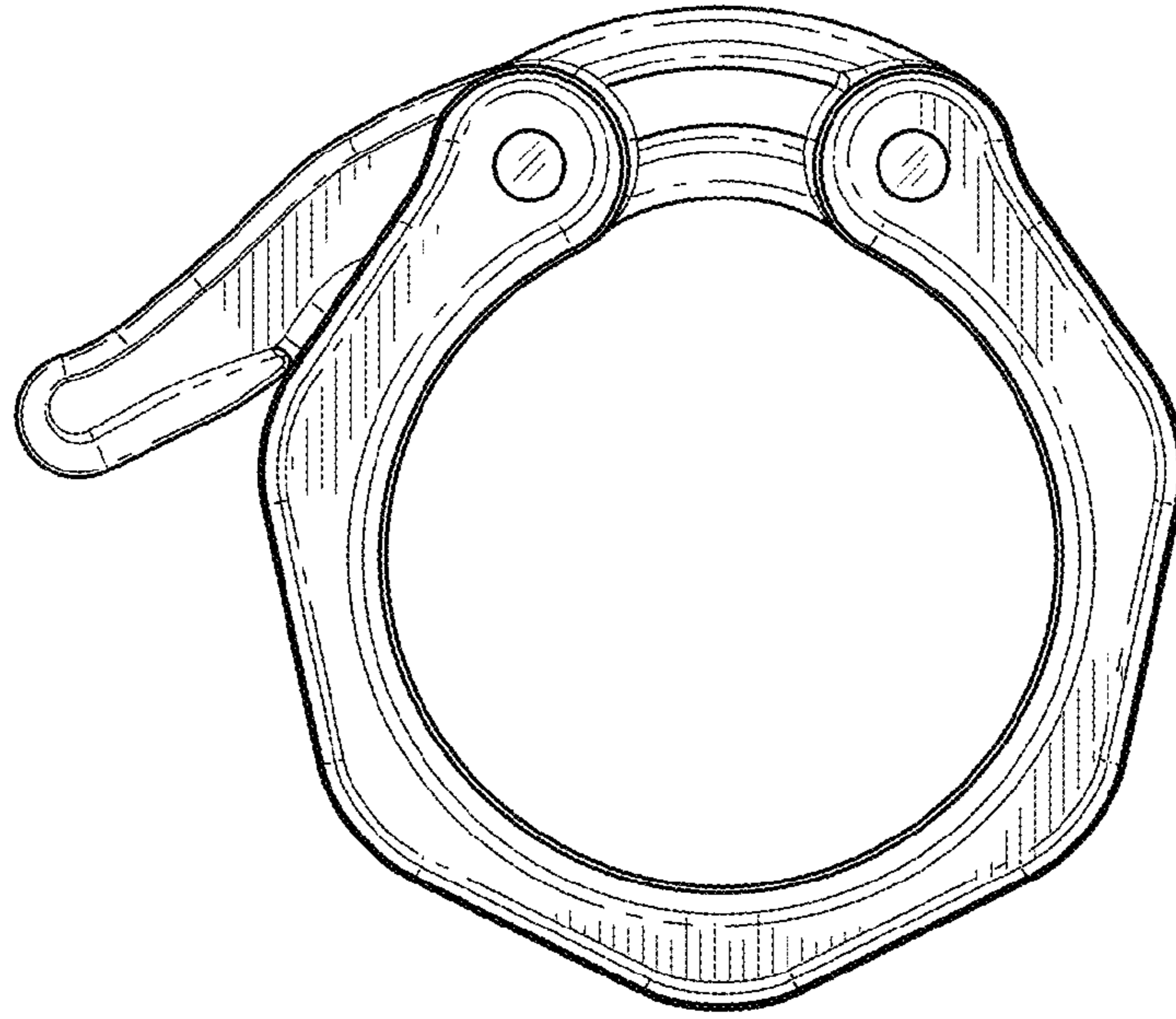


FIG. 2

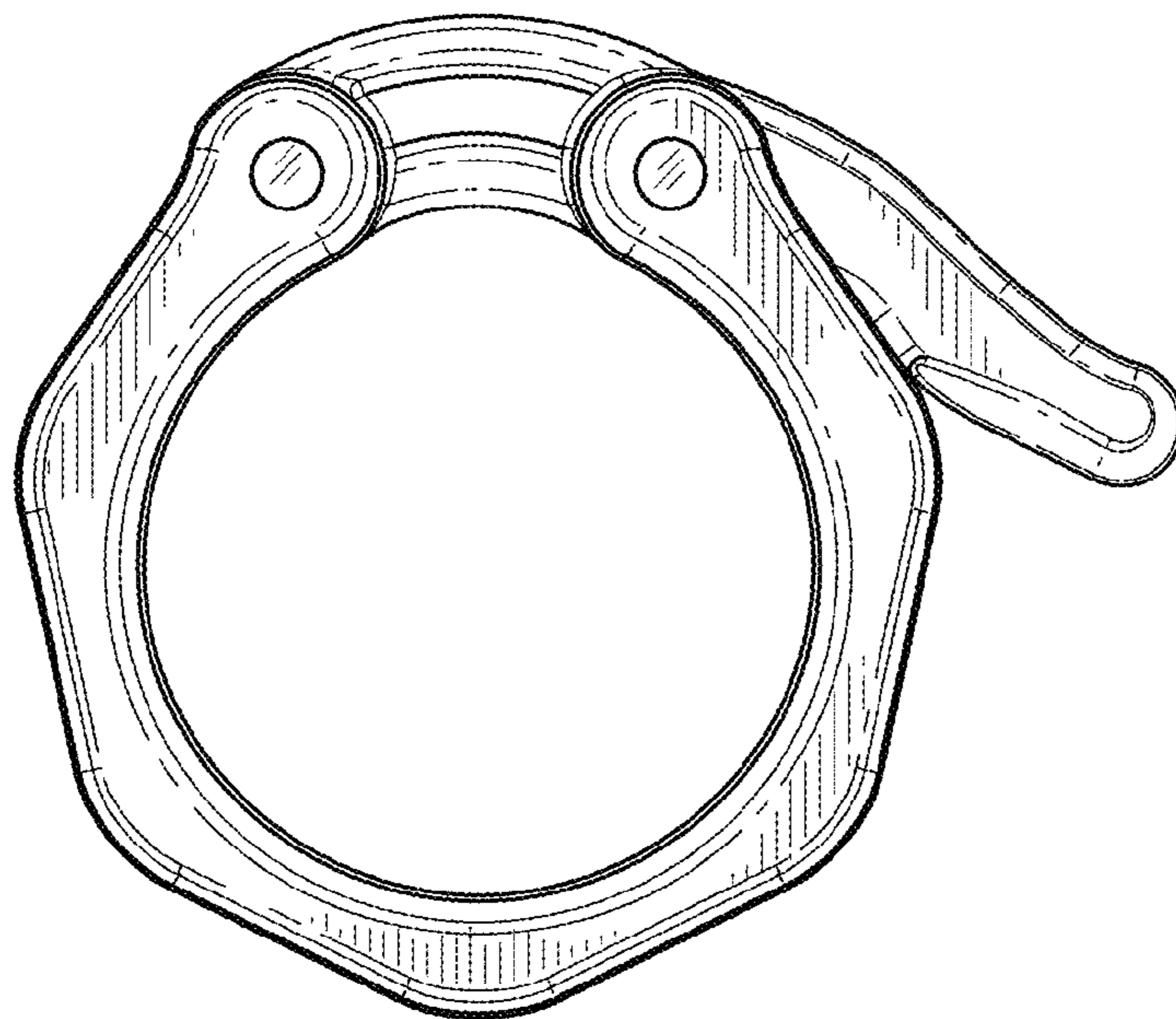


FIG. 3

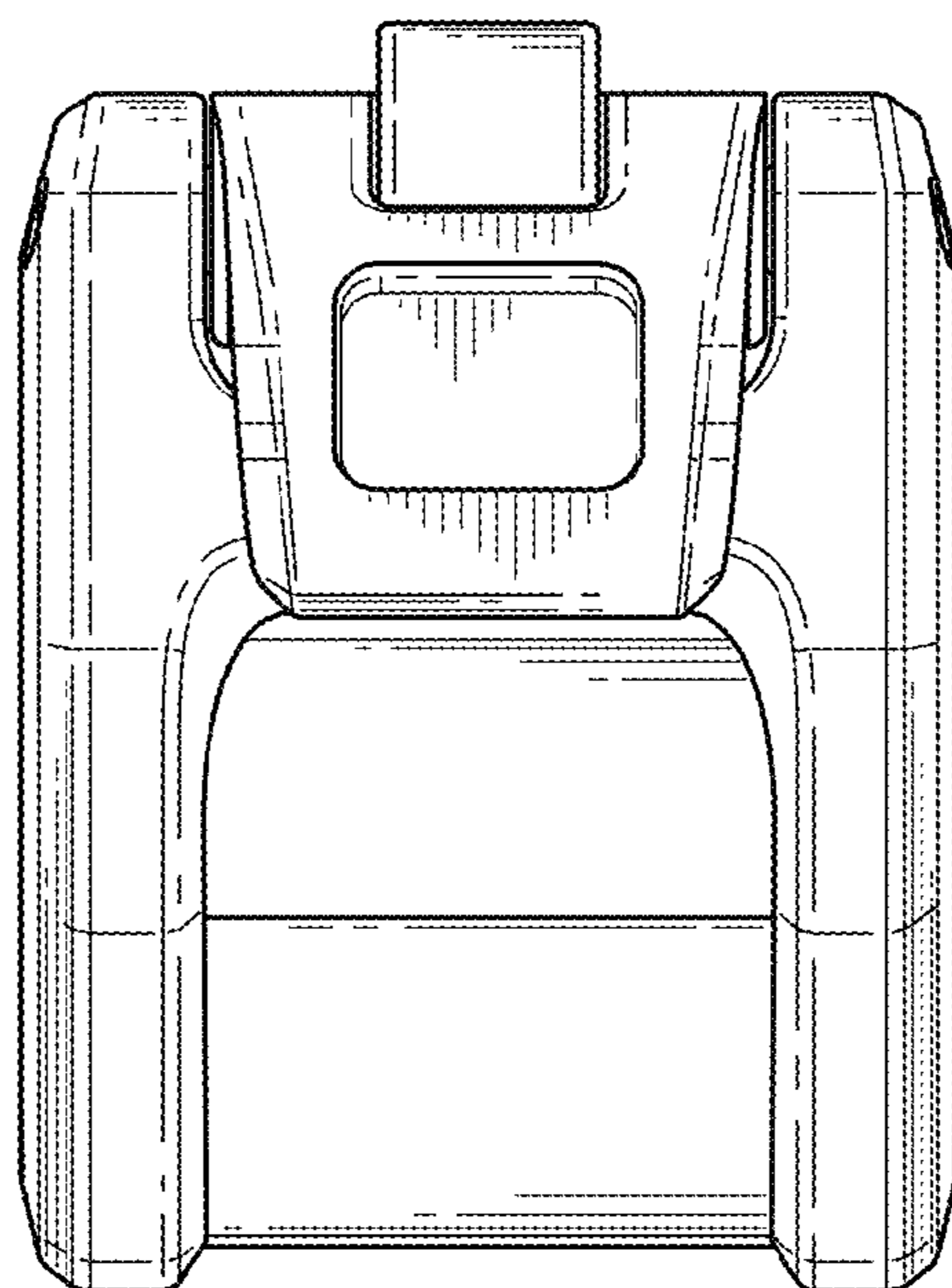


FIG. 4

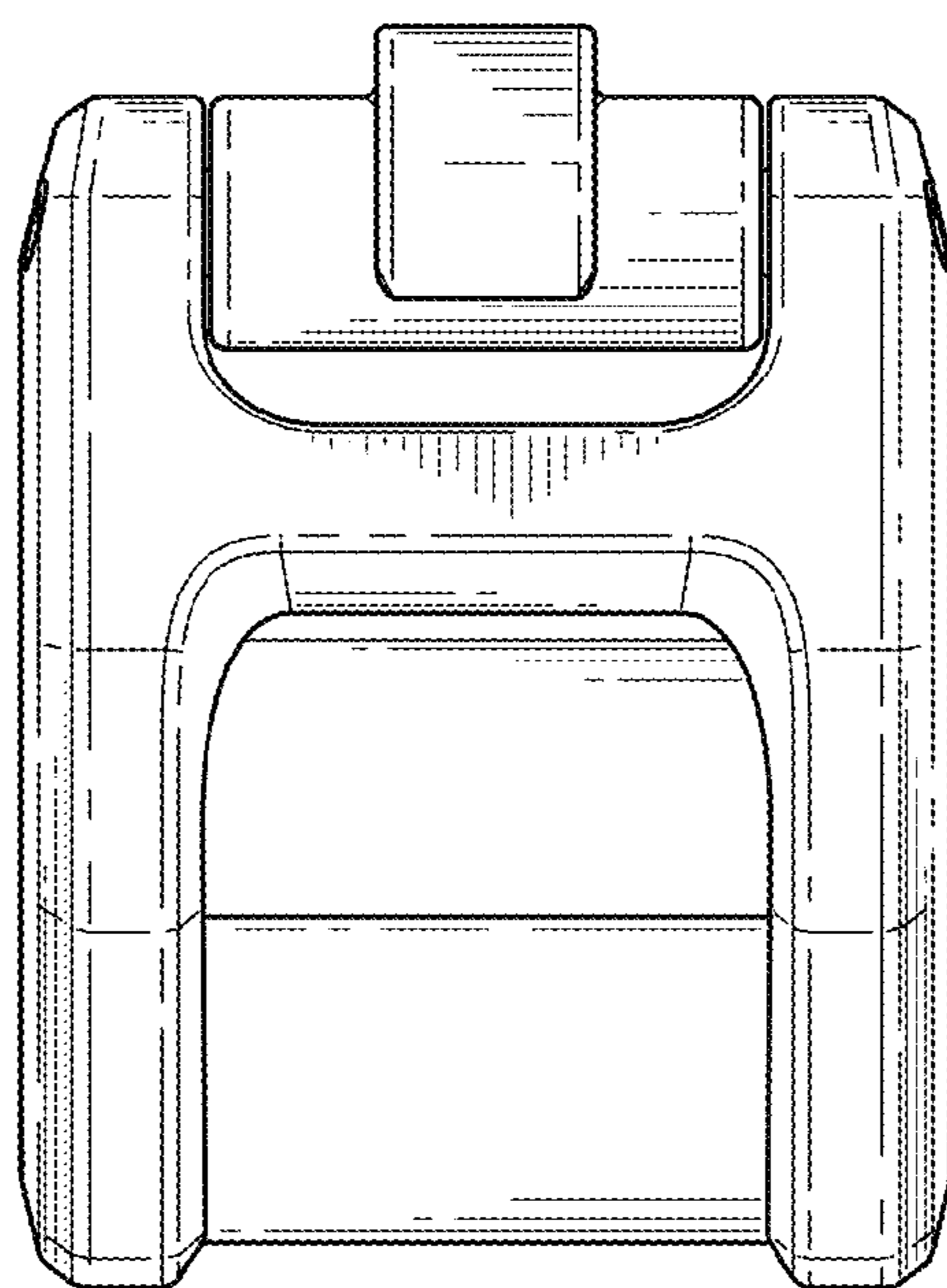


FIG. 5

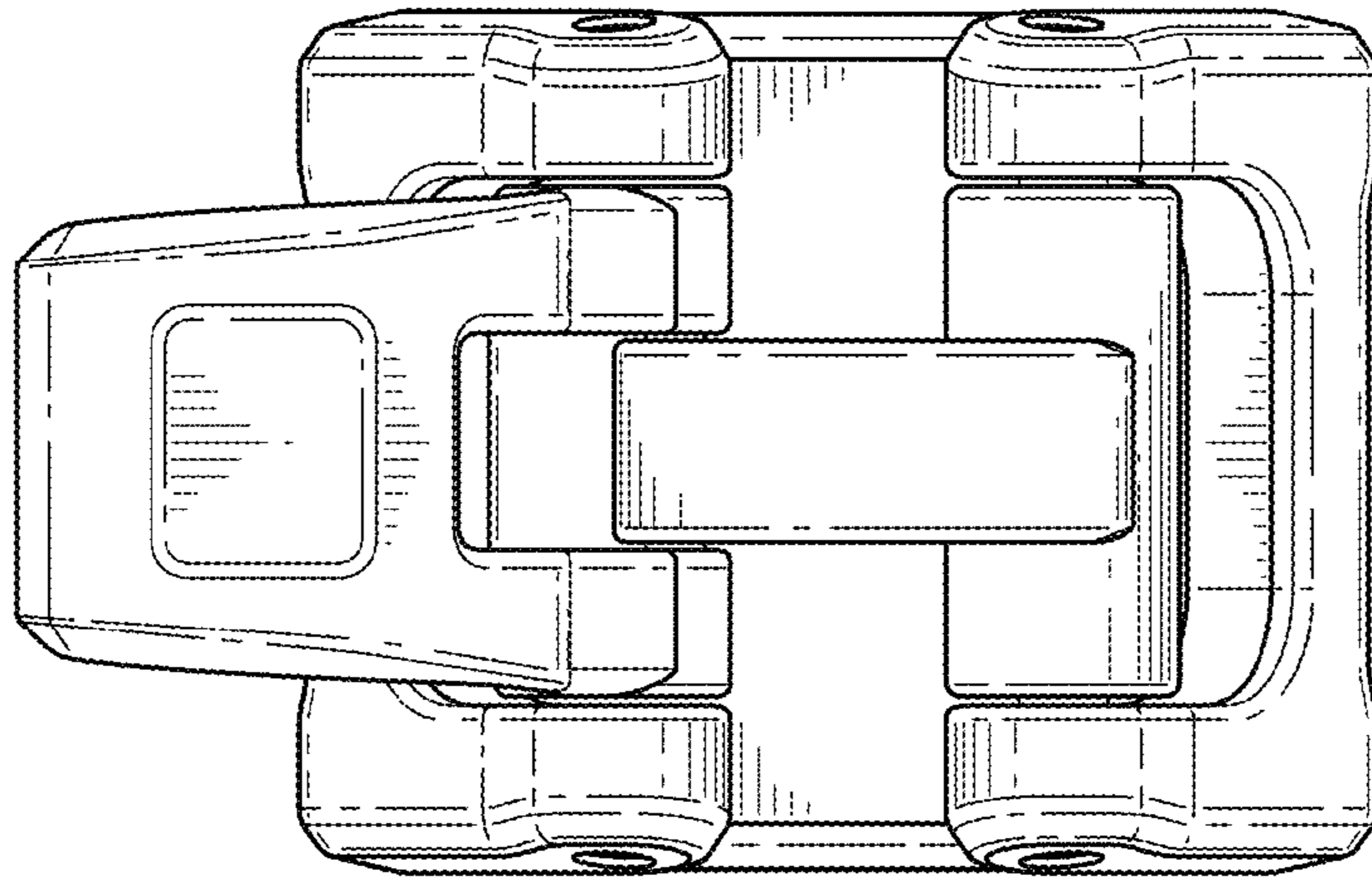


FIG. 6

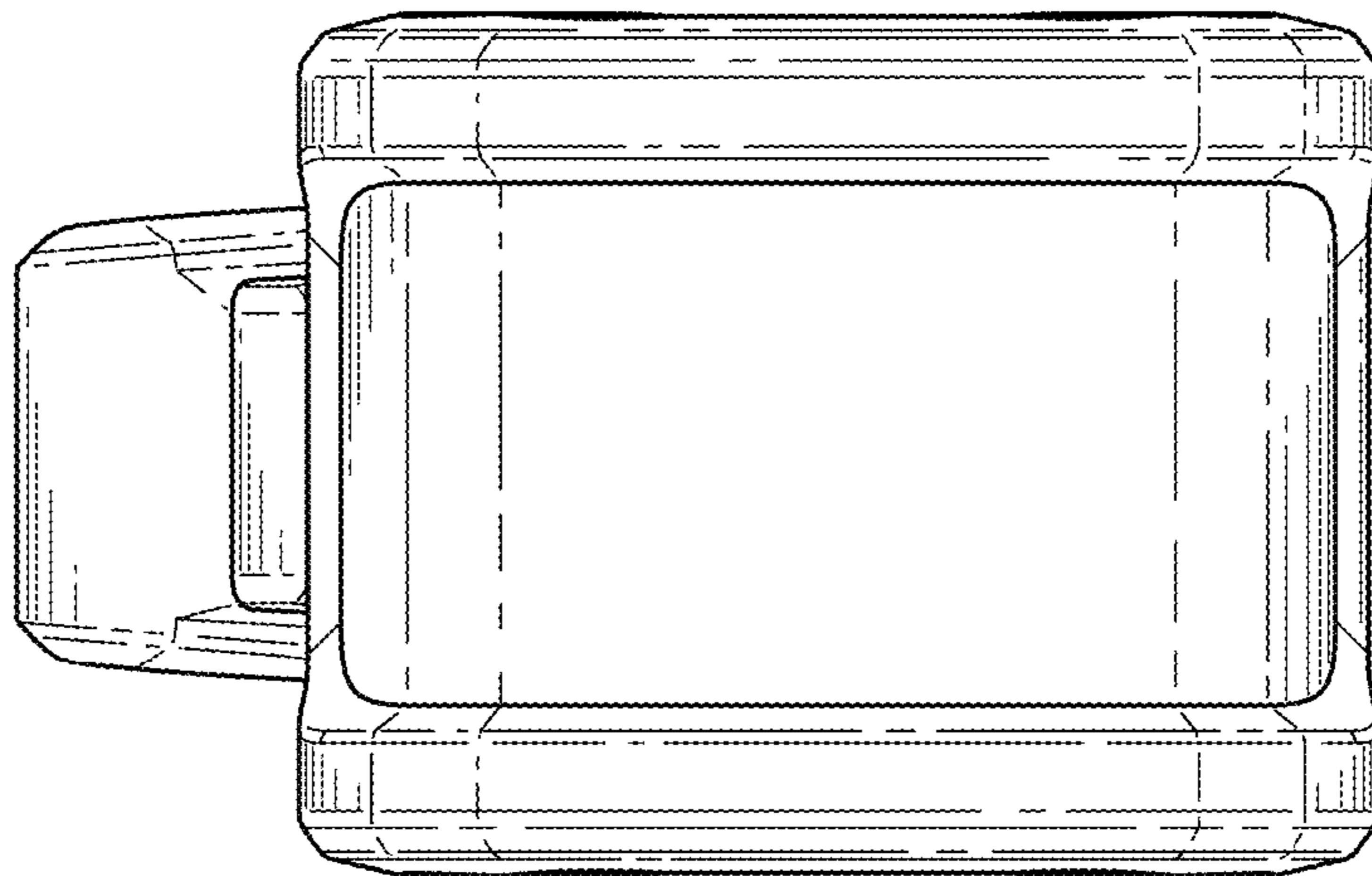


FIG. 7

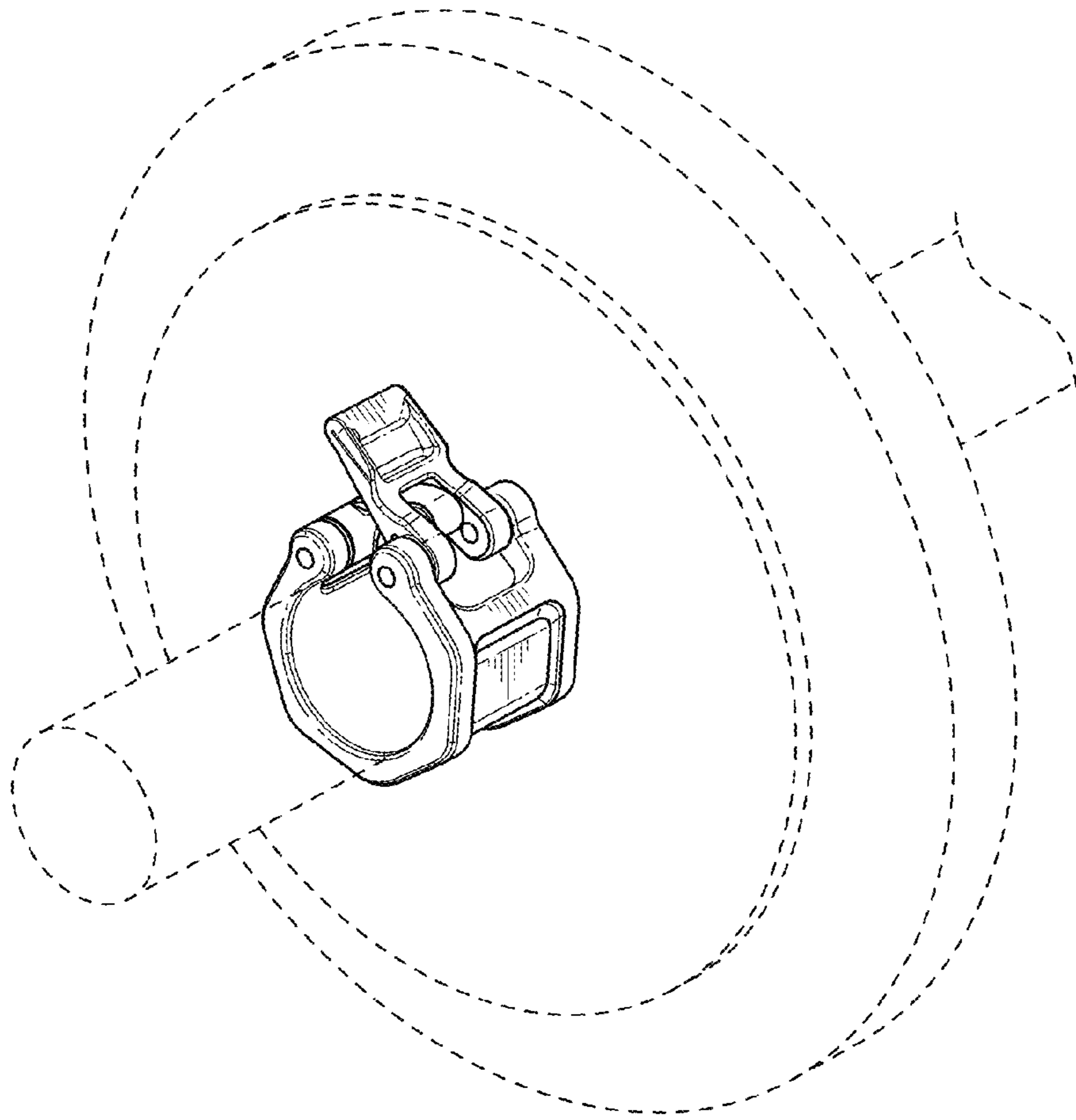


FIG. 8

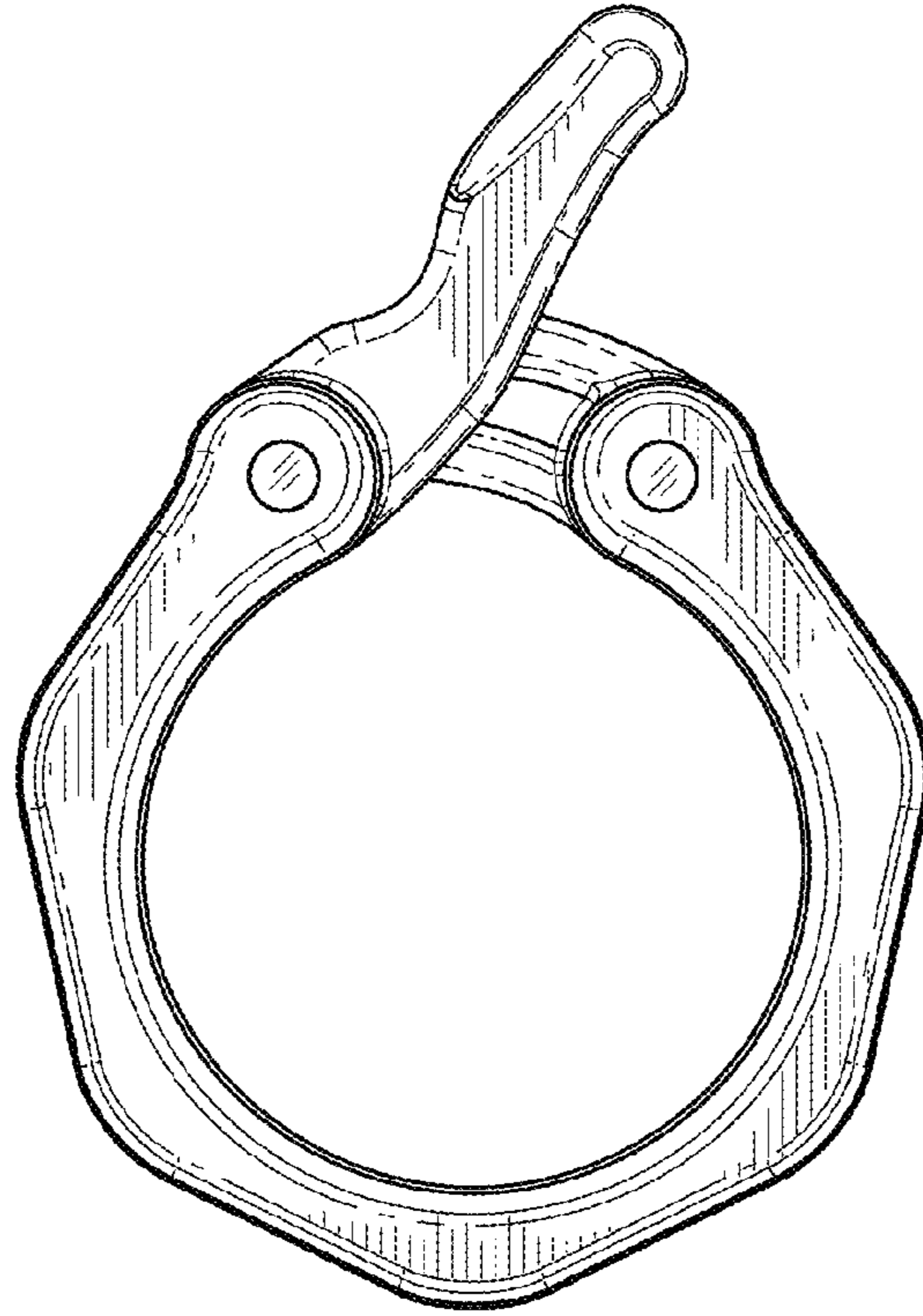


FIG. 9

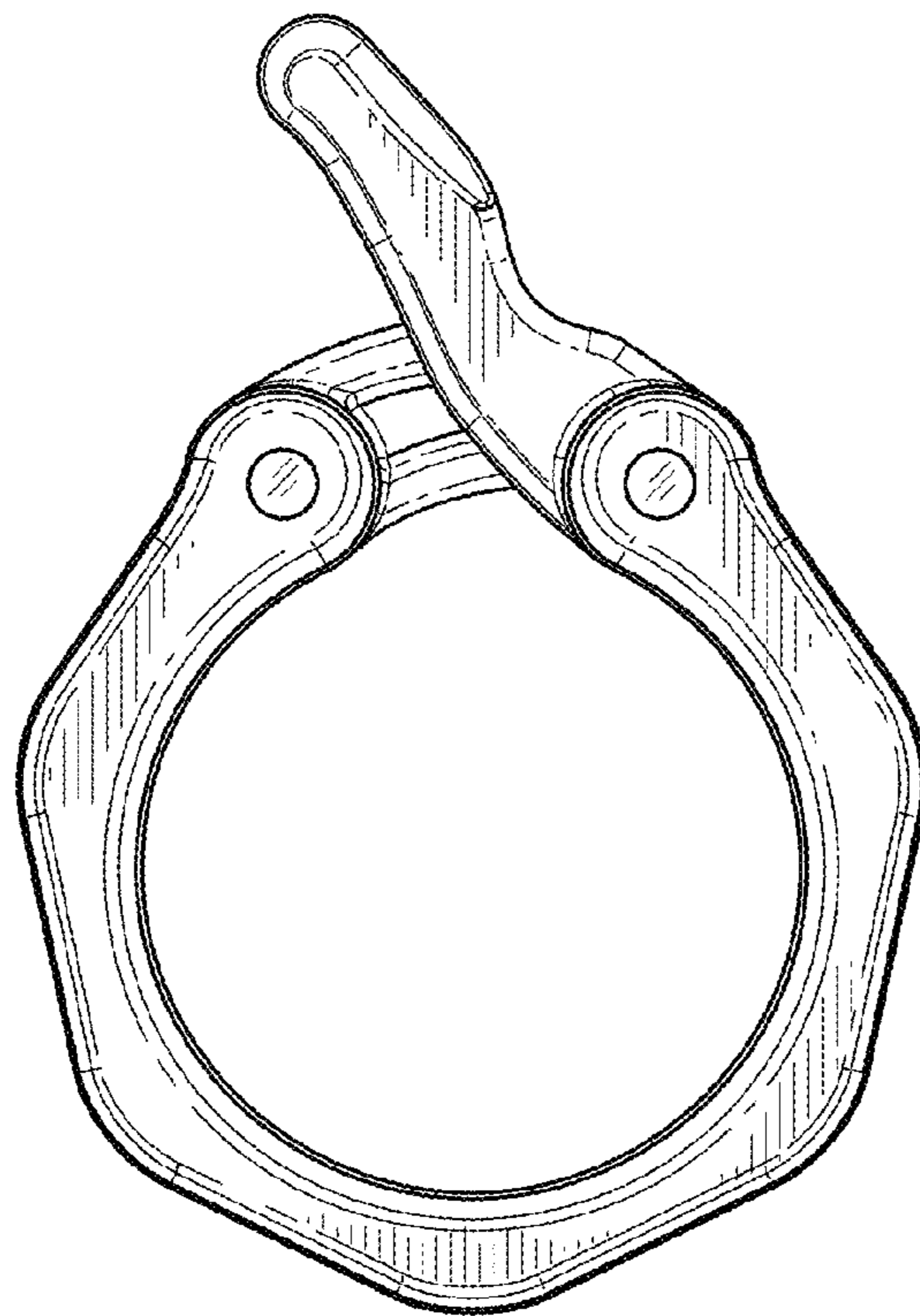


FIG. 10

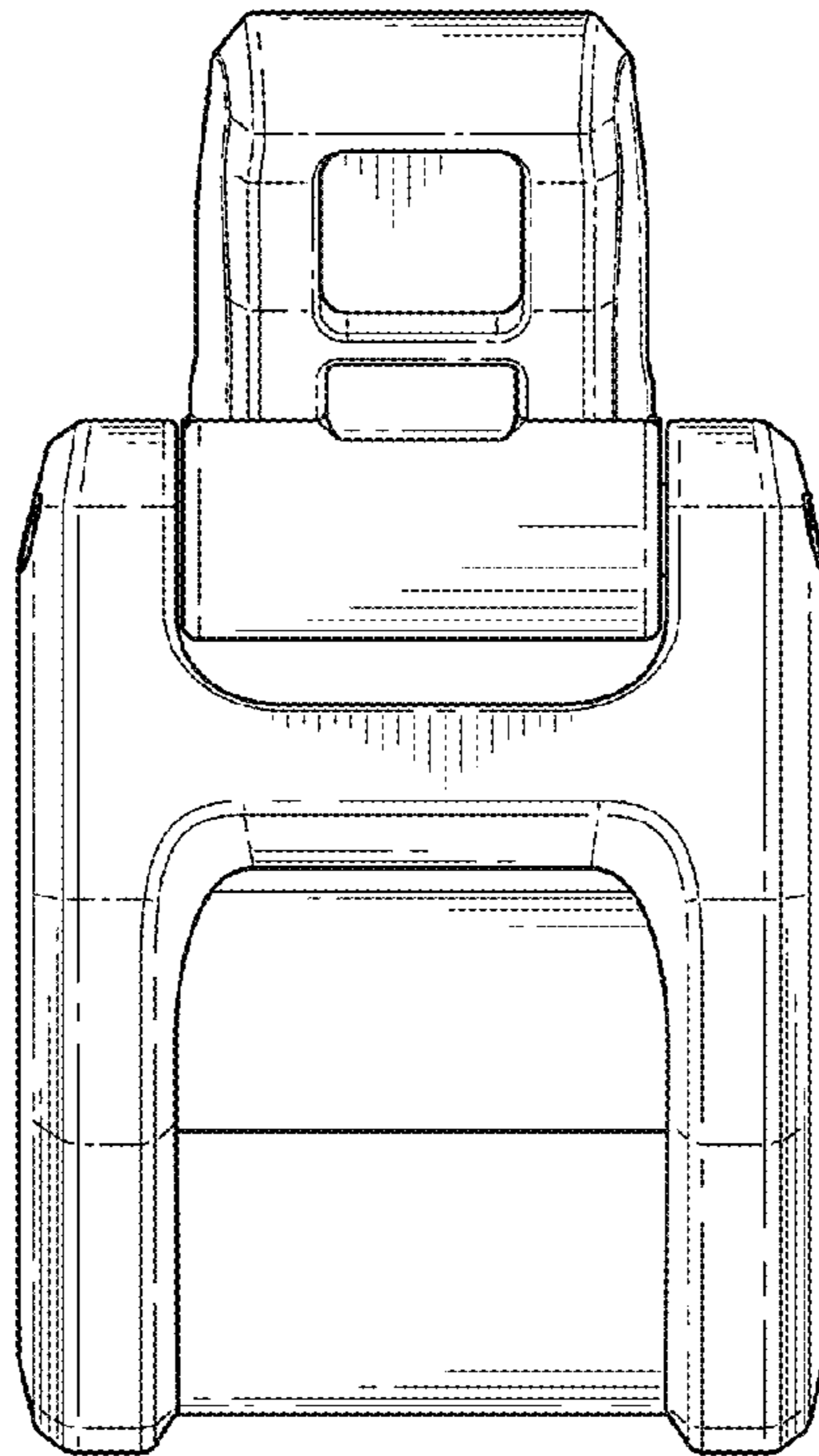


FIG. 11

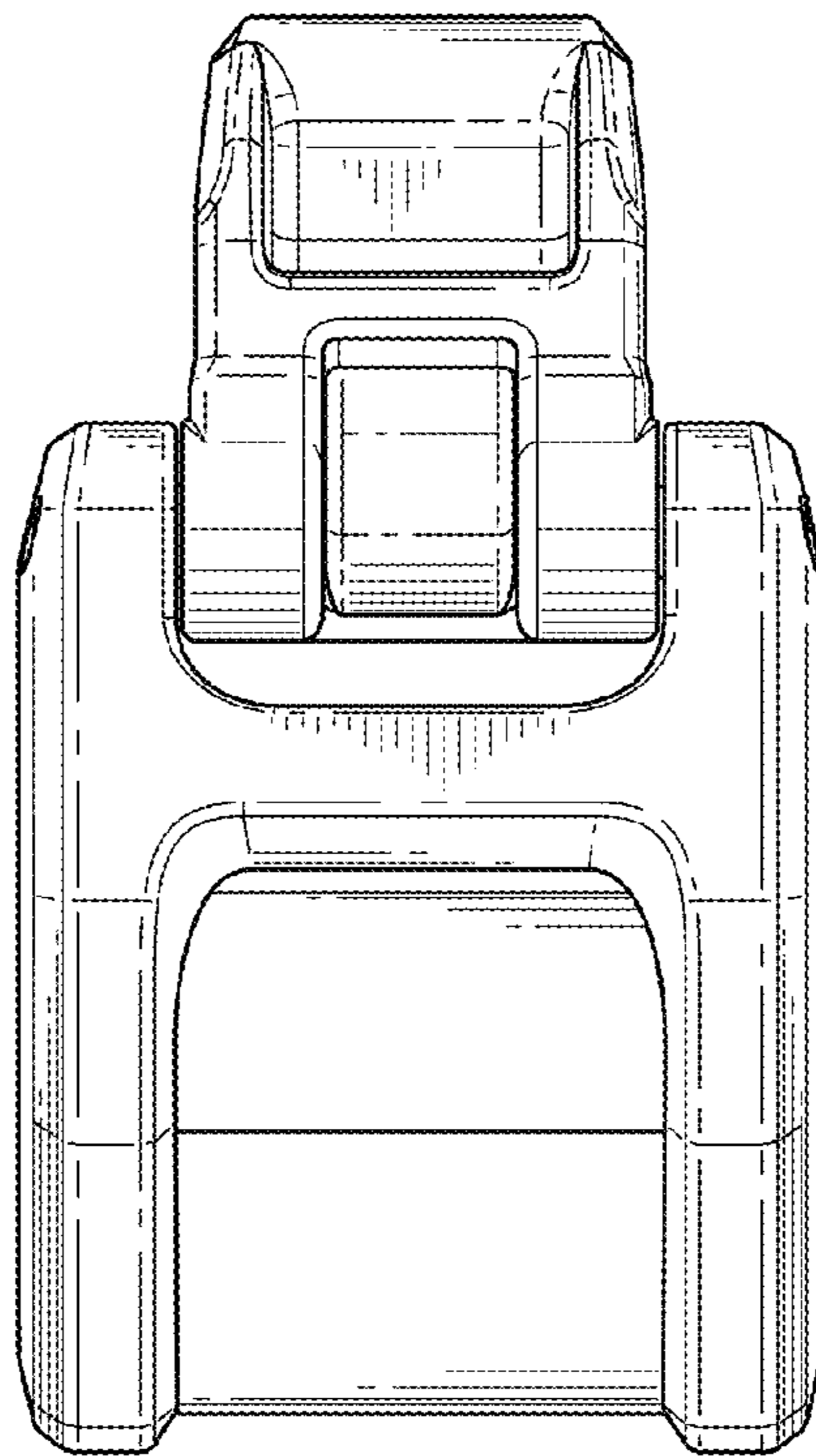


FIG. 12

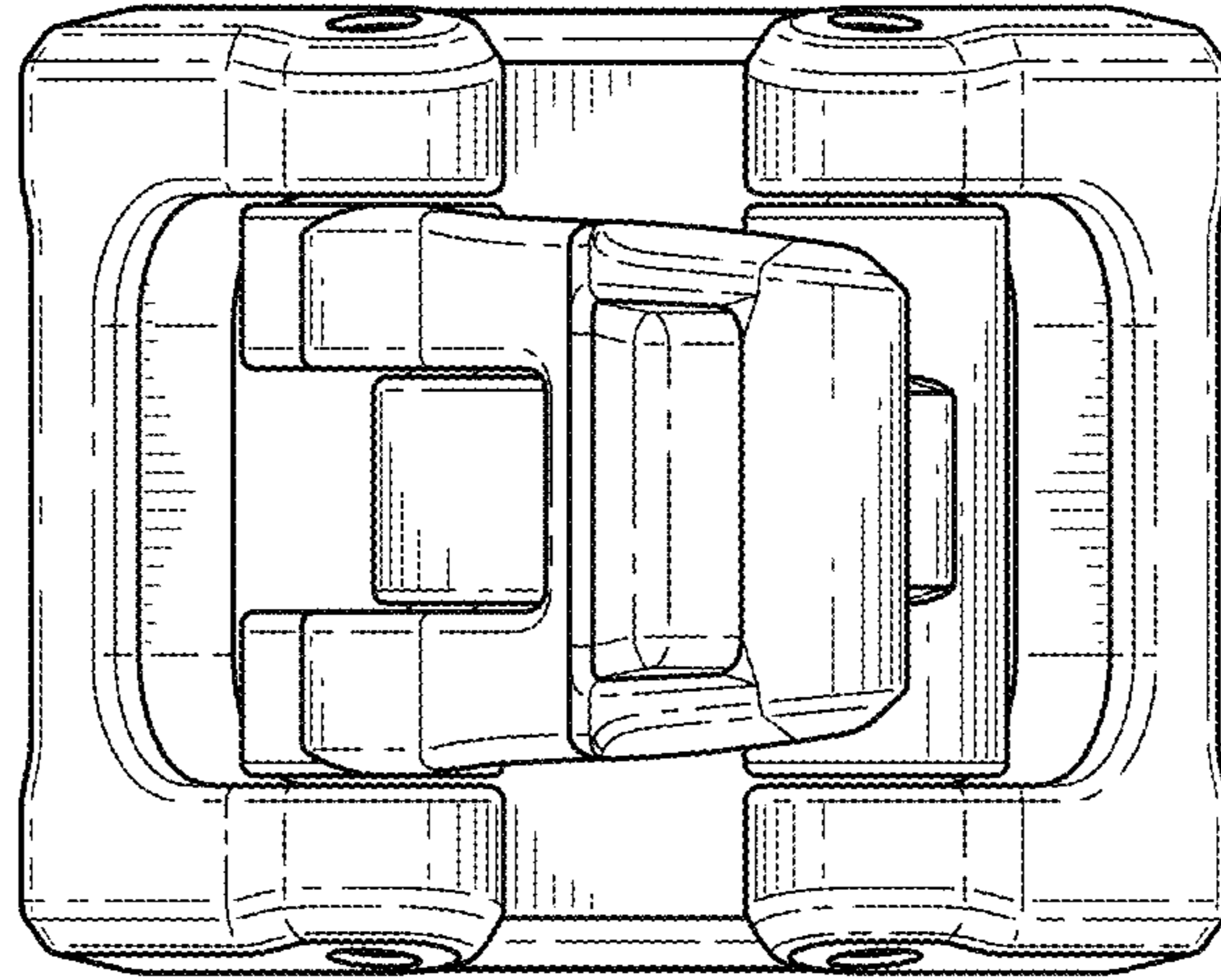


FIG. 13

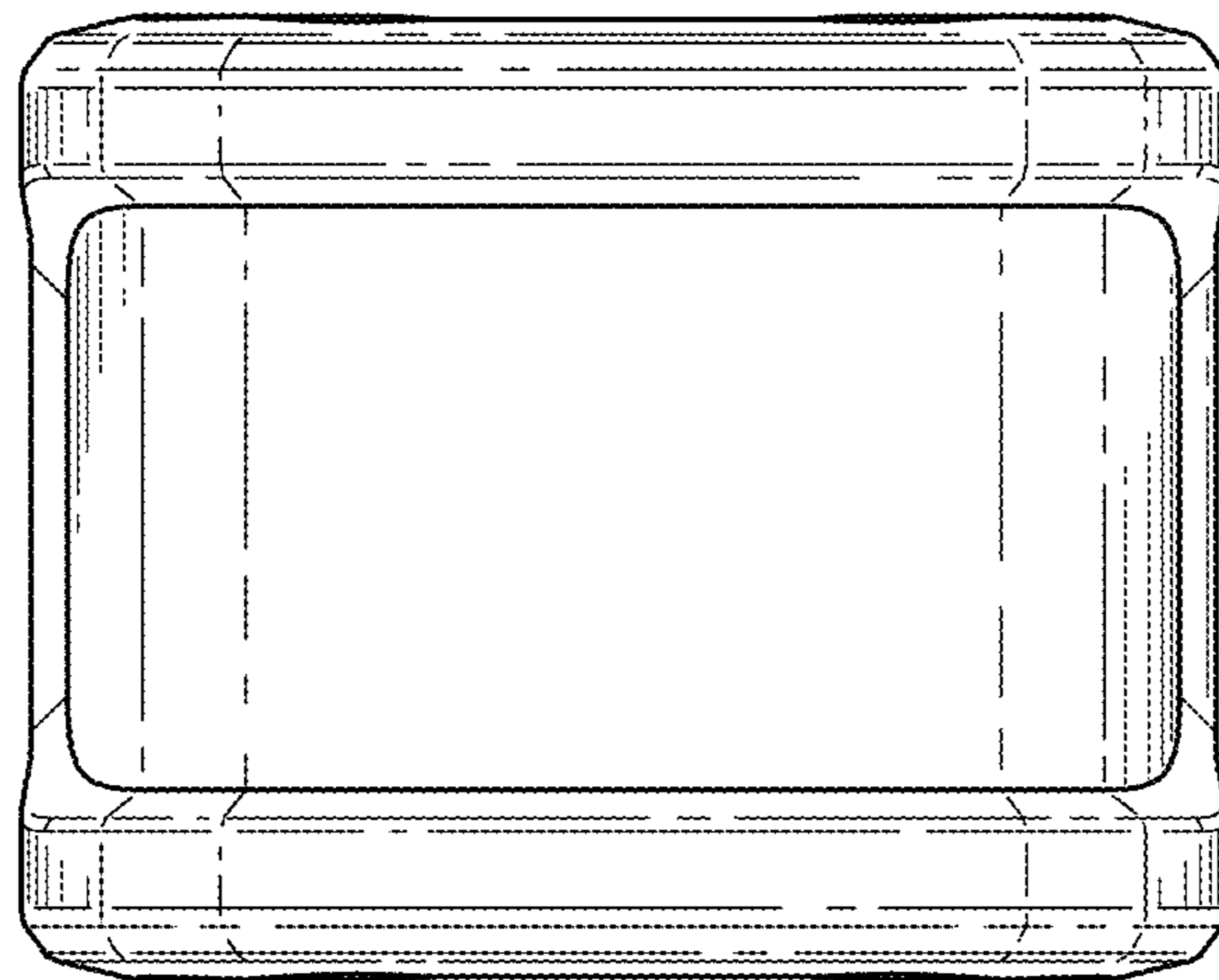


FIG. 14