



US00D764607S

(12) **United States Design Patent**
Beckford et al.

(10) **Patent No.:** **US D764,607 S**

(45) **Date of Patent:** **** Aug. 23, 2016**

- (54) **LINEAR MOTION PUSH-UP BAR**
- (71) Applicants: **Tyson Craig Beckford**, New York, NY (US); **Jay Anders Hess**, Torrance, CA (US)
- (72) Inventors: **Tyson Craig Beckford**, New York, NY (US); **Jay Anders Hess**, Torrance, CA (US)
- (**) Term: **14 Years**
- (21) Appl. No.: **29/495,819**
- (22) Filed: **Jul. 3, 2014**
- (51) **LOC (10) Cl.** **21-02**
- (52) **U.S. Cl.**
USPC **D21/679**
- (58) **Field of Classification Search**
USPC 482/106, 112, 128, 109, 139, 132, 127, 482/44, 107, 49, 50, 122, 126, 104, 93, 125, 482/121, 98, 123, 130, 51, 70, 147, 79, 142, 482/148, 62, 45, 46, 114, 118, 135, 137; D21/681, 679, 684, 662, 680, 725, 752, D21/812, 668, 691; D7/697; D23/266; 1/1; 601/120; D13/133; D14/356, 433, 240; D24/215, 211, 212; D15/17; D22/117; D6/521
CPC A63B 23/0211; A63B 23/14; A63B 21/4035; A63B 21/4047; A63B 2208/0233; A63B 21/0004; A63B 21/068; A63B 21/078; A61H 15/0092
See application file for complete search history.

(56) **References Cited**
U.S. PATENT DOCUMENTS

- 3,938,803 A * 2/1976 Wilmoth A63B 21/05 482/127
- 4,978,122 A * 12/1990 Dibowski A63B 21/0724 482/106
- D325,945 S * 5/1992 Gross D21/679
- 5,152,731 A * 10/1992 Troutman A63B 21/0724 482/106

- D428,455 S * 7/2000 Sandoval D21/679
- D485,850 S * 1/2004 Anderson D15/17
- 8,574,136 B1 * 11/2013 Burstrom A63B 69/0057 482/108
- D734,408 S * 7/2015 Capps D21/681
- 9,174,082 B1 * 11/2015 Marlow A63B 23/0205
- 2005/0101453 A1 * 5/2005 Jeneve A63B 21/015 482/106
- 2006/0105891 A1 * 5/2006 Cappellini A63B 21/0724 482/107
- 2006/0276314 A1 * 12/2006 Wilson A63B 21/015 482/106
- 2008/0081747 A1 * 4/2008 Mok A63B 21/0004 482/121
- 2012/0094812 A1 * 4/2012 Smiley A63B 21/0004 482/128
- 2014/0114221 A1 * 4/2014 Indermill A61H 15/00 601/120
- 2014/0221173 A1 * 8/2014 Crabtree A63B 21/0724 482/106

OTHER PUBLICATIONS

Beckford Bar by Beckford Bar dated Nov. 19, 2013. Found online [Apr. 12, 2016] <http://beckfordbar.com/>.*

* cited by examiner

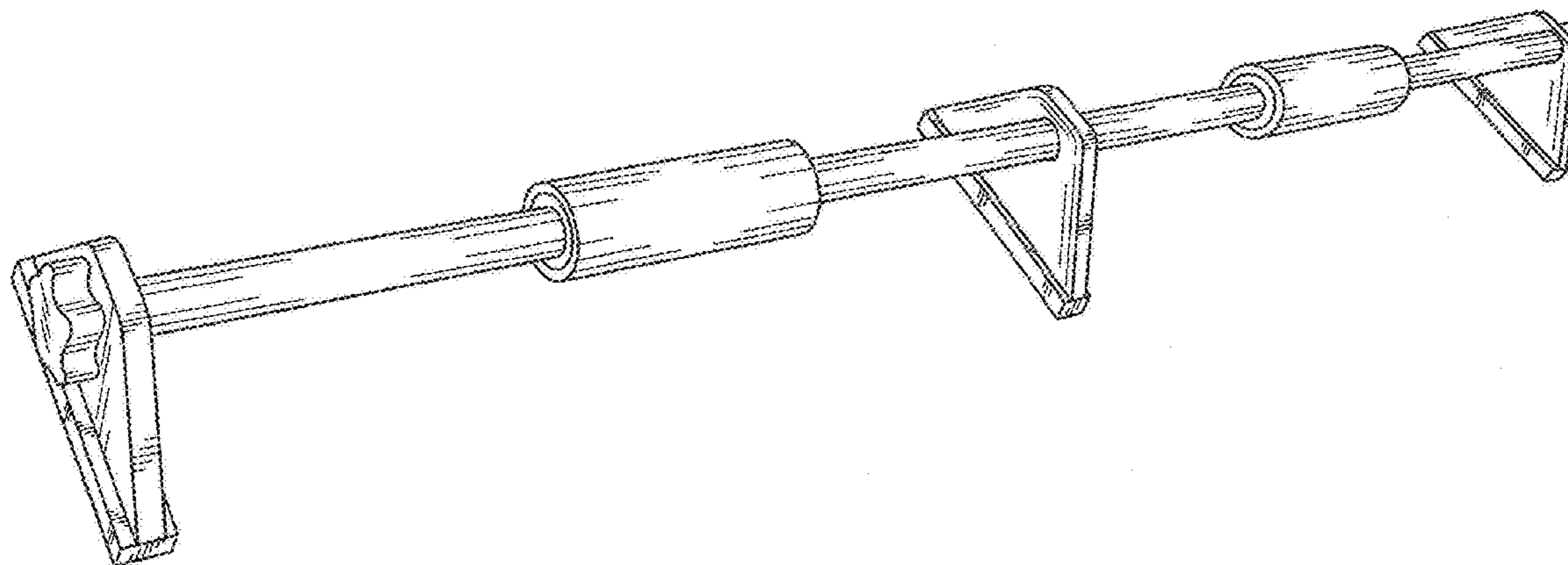
Primary Examiner — Robert M Spear
Assistant Examiner — Ryan Harvey
(74) *Attorney, Agent, or Firm* — Irving Keschner

(57) **CLAIM**
The ornamental design for a linear motion push-up bar, as shown.

DESCRIPTION

FIG. 1 is a side perspective view of the linear motion push-up bar of the present invention; FIG. 2 is a front view of the linear motion push-up bar shown in FIG. 1; FIG. 3 is a top view of the linear motion push-up bar shown in FIG. 1; and, FIG. 4 is a side view of the linear motion push-up bar shown in FIG. 1.

1 Claim, 3 Drawing Sheets



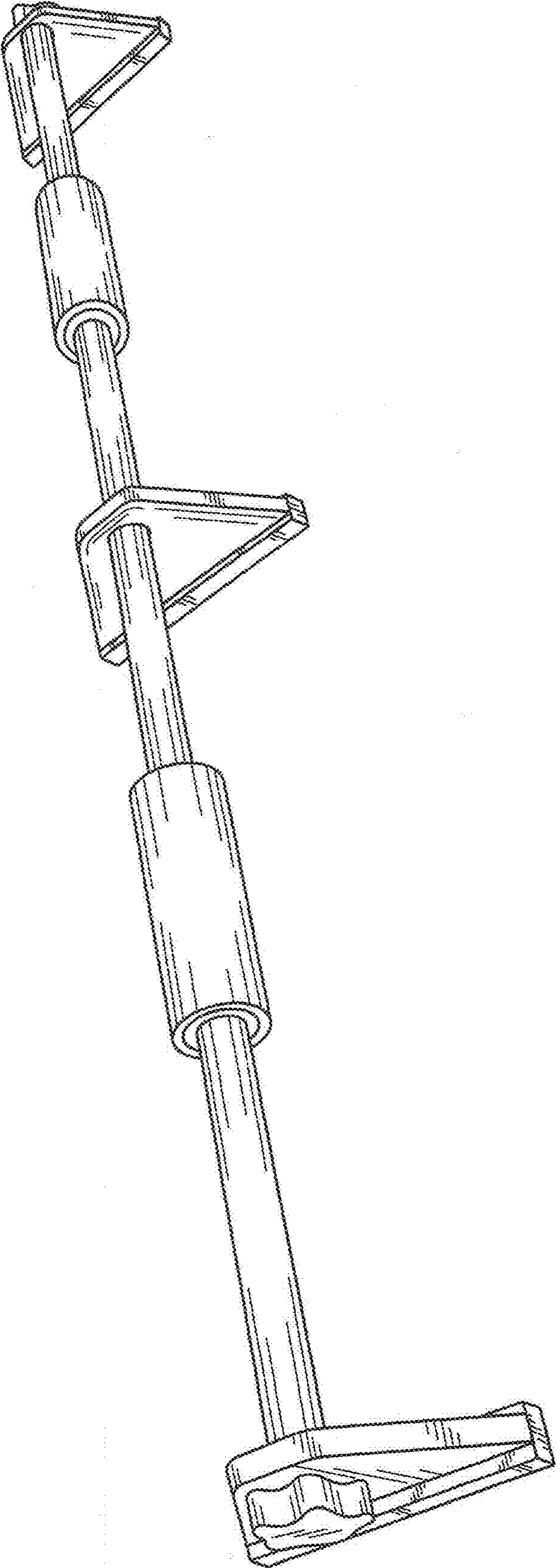


FIG. 1

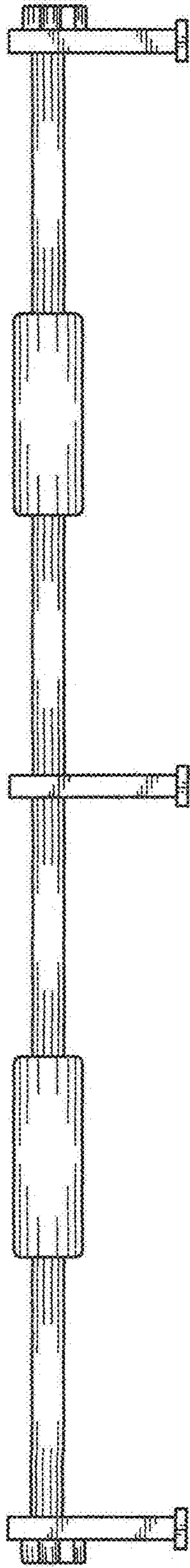


FIG. 2

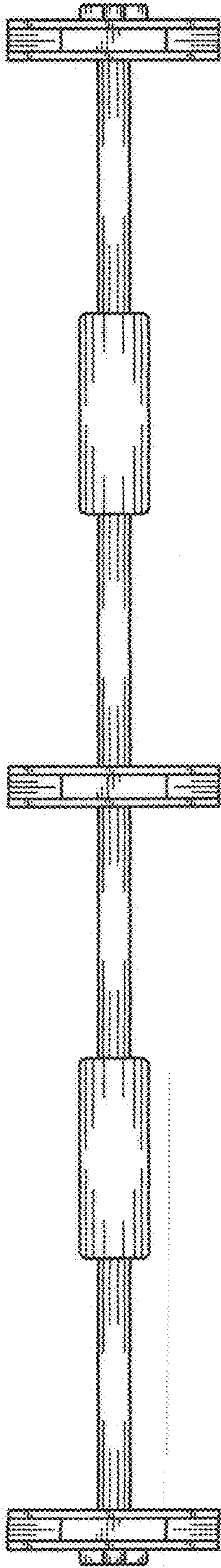


FIG. 3

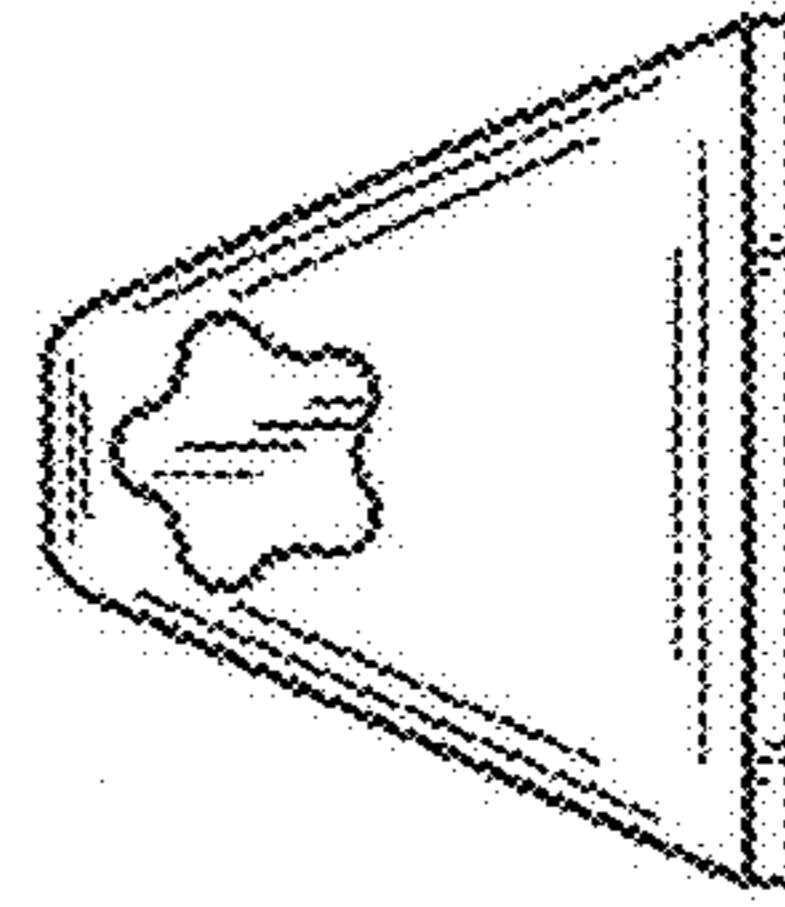


FIG. 4