



US00D764606S

(12) **United States Design Patent**
Lagree et al.

(10) **Patent No.:** **US D764,606 S**
(45) **Date of Patent:** **** Aug. 23, 2016**

(54) **PILATES MACHINE**

(56) **References Cited**

(71) Applicant: **SPX Fitness, Inc.**, Burbank, CA (US)

U.S. PATENT DOCUMENTS

(72) Inventors: **Sebastien Anthony Louis Lagree**, West Hollywood, CA (US); **Piotr Zin**, Newbury Park, CA (US); **Martti Johannes Lampela**, Woodland Hills, CA (US); **Ross Leslie Carmichael**, Everett, WA (US); **Brad Cracchiola**, Agoura Hills, CA (US)

D282,386	S	*	1/1986	Dealey	D21/669
D303,556	S	*	9/1989	Trulaske	D21/669
4,884,802	A	*	12/1989	Graham	A61H 1/006 482/130
D342,107	S	*	12/1993	Chang	D21/669
D373,393	S	*	9/1996	Montijo	D21/676
D379,388	S	*	5/1997	Montijo	D21/694
D546,909	S	*	7/2007	Flick	D21/694
D703,279	S	*	4/2014	Ho	D21/673
D707,763	S	*	6/2014	Cutler	D21/669
D728,045	S	*	4/2015	Hubler	D21/694

(73) Assignee: **SPX Fitness, Inc.**, Burbank, CA (US)

OTHER PUBLICATIONS

(**) Term: **14 Years**

Supraform by Lagree Fitness dated no date given. Found online [Apr. 22, 2016] <http://lagreefitnessstudio.com/>.*

(21) Appl. No.: **29/518,325**

* cited by examiner

(22) Filed: **Feb. 23, 2015**

(51) **LOC (10) Cl.** **21-02**

Primary Examiner — Robert M Spear

(52) **U.S. Cl.**
USPC **D21/676**

Assistant Examiner — Ryan Harvey

(58) **Field of Classification Search**

(74) *Attorney, Agent, or Firm* — Neustel Law Offices;
Michael S. Neustel

USPC 482/54, 140, 142, 123, 121, 122, 129,
482/130, 96, 52, 57, 907, 126, 131, 145,
482/144, 112, 134, 26, 27, 77, 125, 132, 92,
482/95, 91, 128, 68, 141, 53, 133, 138;
D21/687, 686, 669, 673, 690, 691, 694,
D21/676, 674, 670, 663, 662, 423, 695,
D21/688; D24/183, 188; 297/175, 445.1,
297/423.38, 230.1; 601/24, 49; 606/240,
606/244, 242; 5/613, 618, 624; 473/197,
473/422; 280/47.371, 79.6; D14/447
CPC A63B 22/02; A63B 22/0023; A63B
22/0235; A63B 2210/50; A63B 21/4029;
A63B 22/0285; A63B 22/0242; A63B
2225/30; A63B 21/078; A61H 2203/0493;
A61H 1/0292; A61H 2201/1284; A61H
1/0222

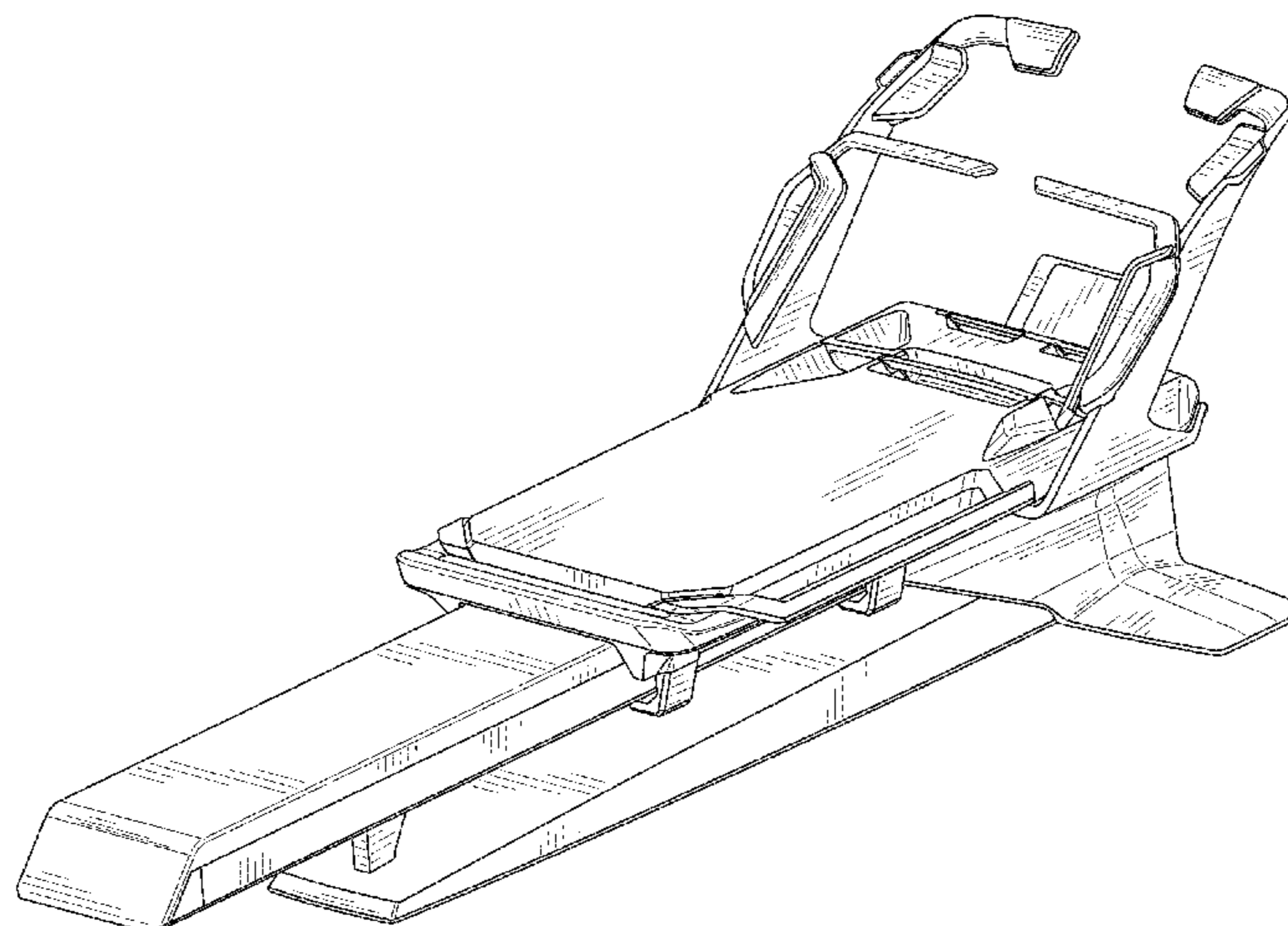
(57) **CLAIM**
The ornamental design for a pilates machine, as shown and described.

DESCRIPTION

FIG. 1 is a perspective view of a pilates machine showing our new design;
FIG. 2 is a front view thereof;
FIG. 3 is a rear view thereof;
FIG. 4 is a right view thereof;
FIG. 5 is a left view thereof;
FIG. 6 is a top view thereof; and,
FIG. 7 is a bottom view thereof.
Any broken line portions of the drawings are included to show unclaimed subject matter and form no part of the claimed design.

See application file for complete search history.

1 Claim, 6 Drawing Sheets



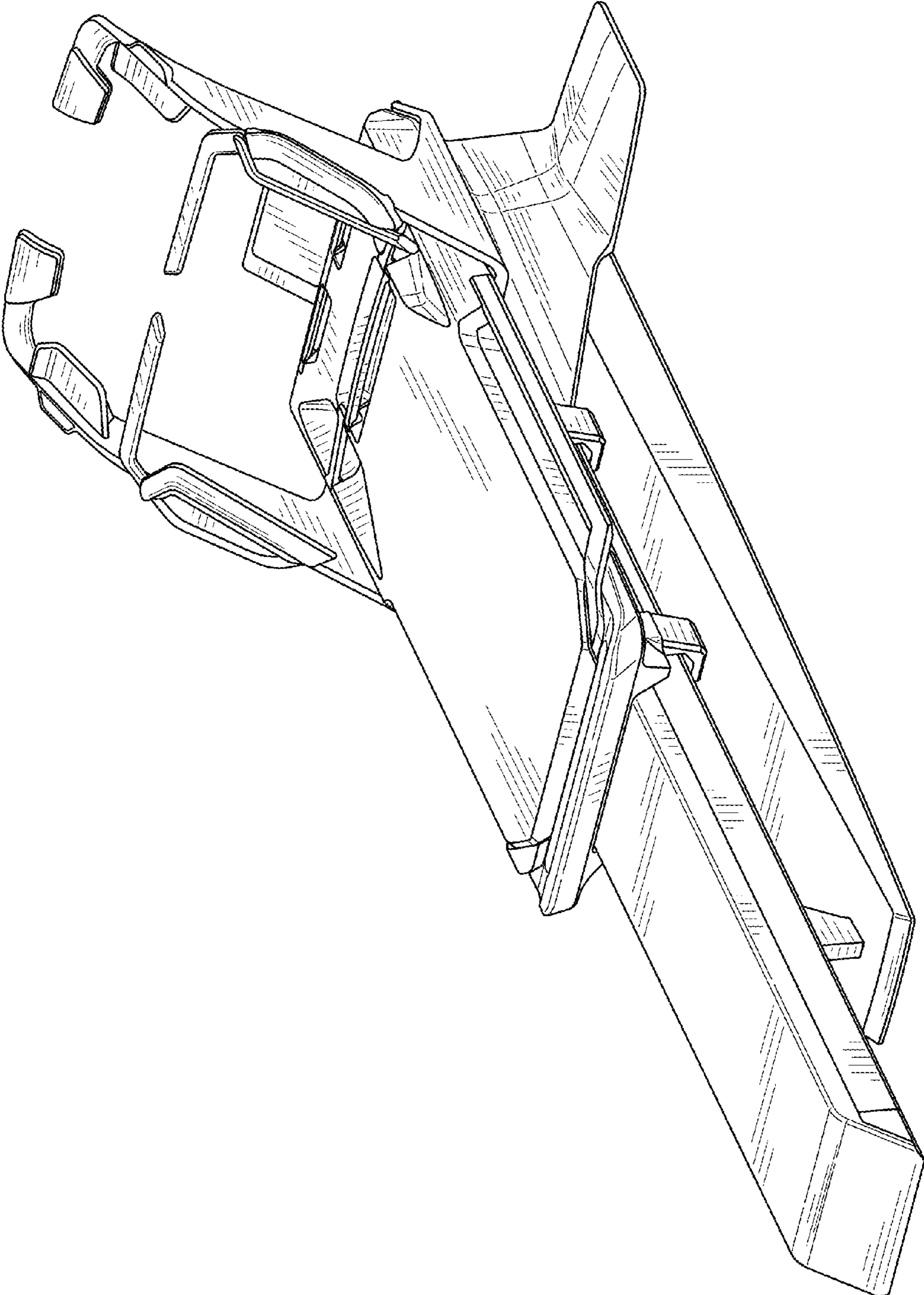


FIG. 1

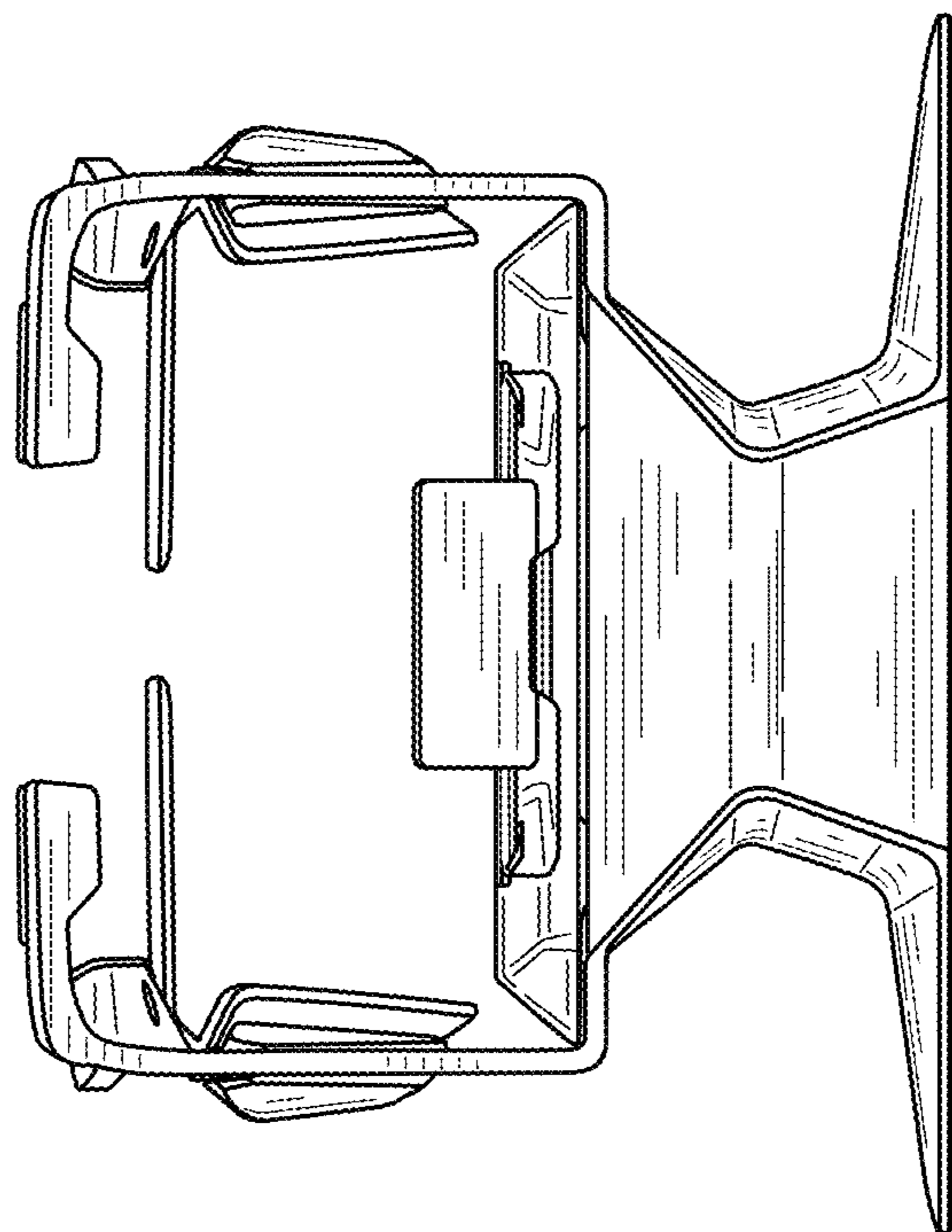


FIG. 3

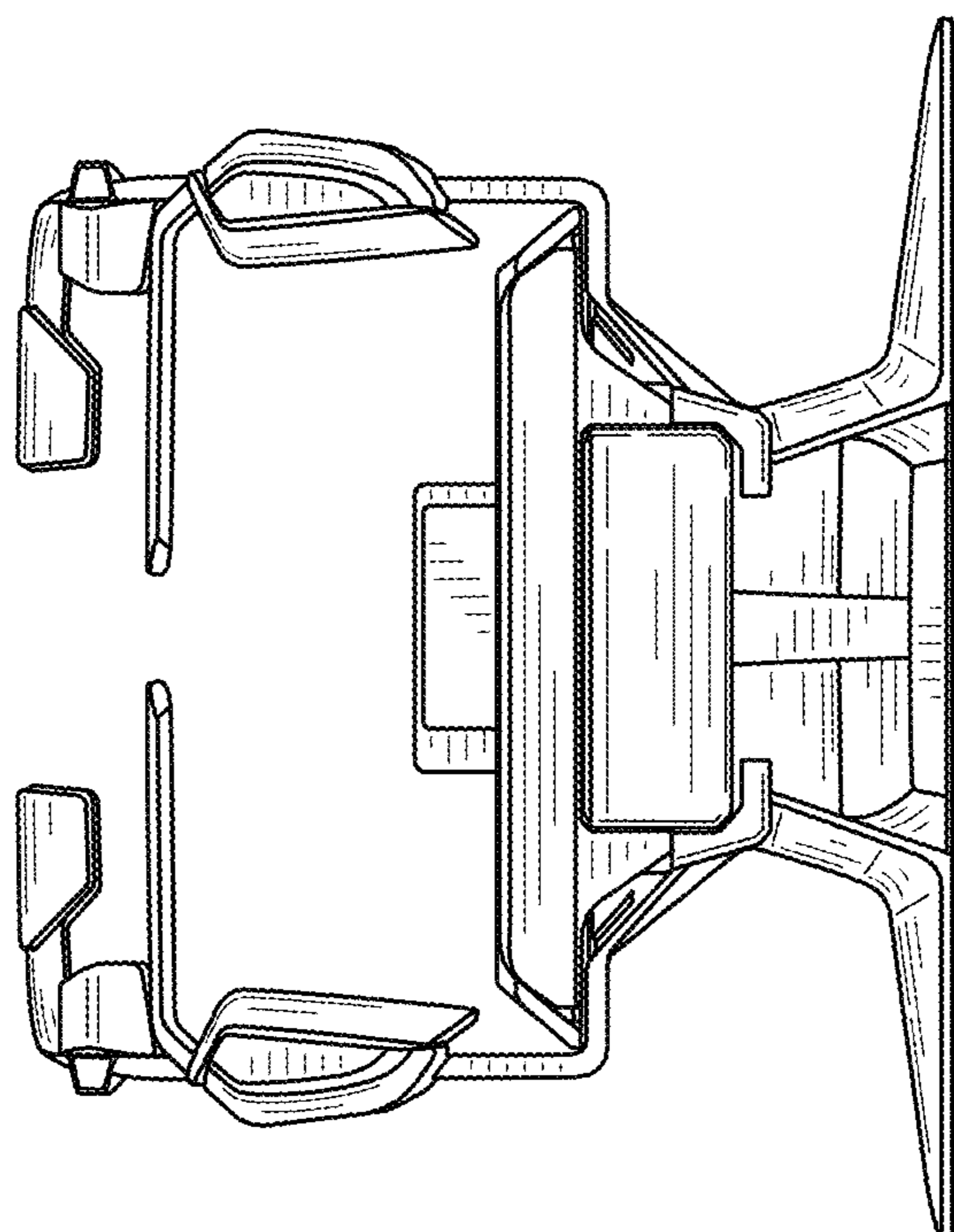


FIG. 2

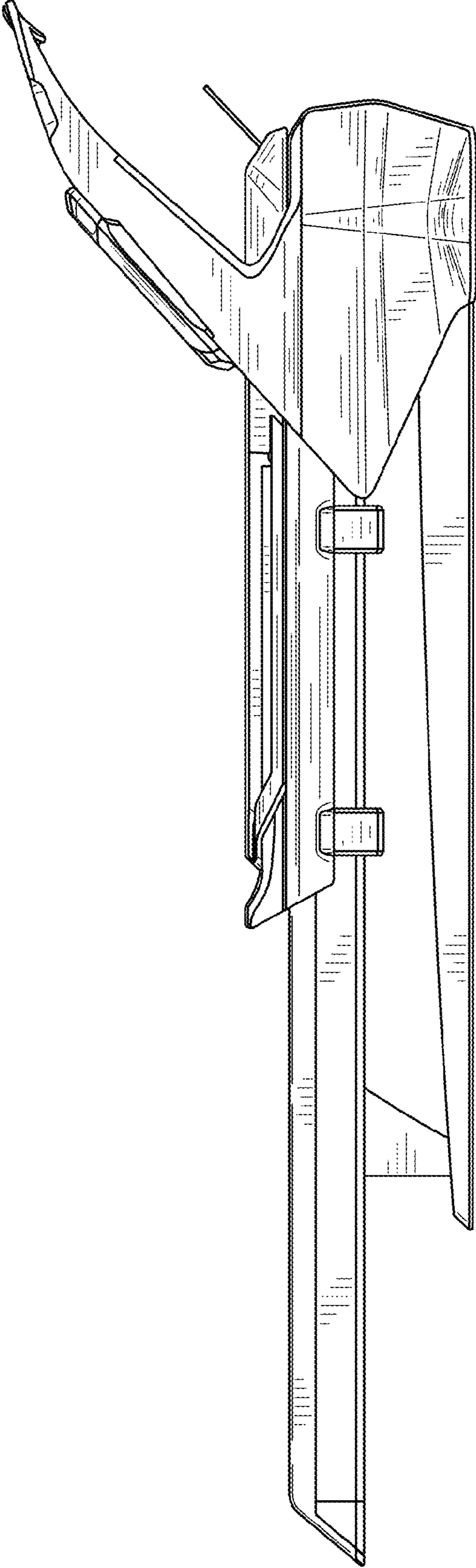


FIG. 4

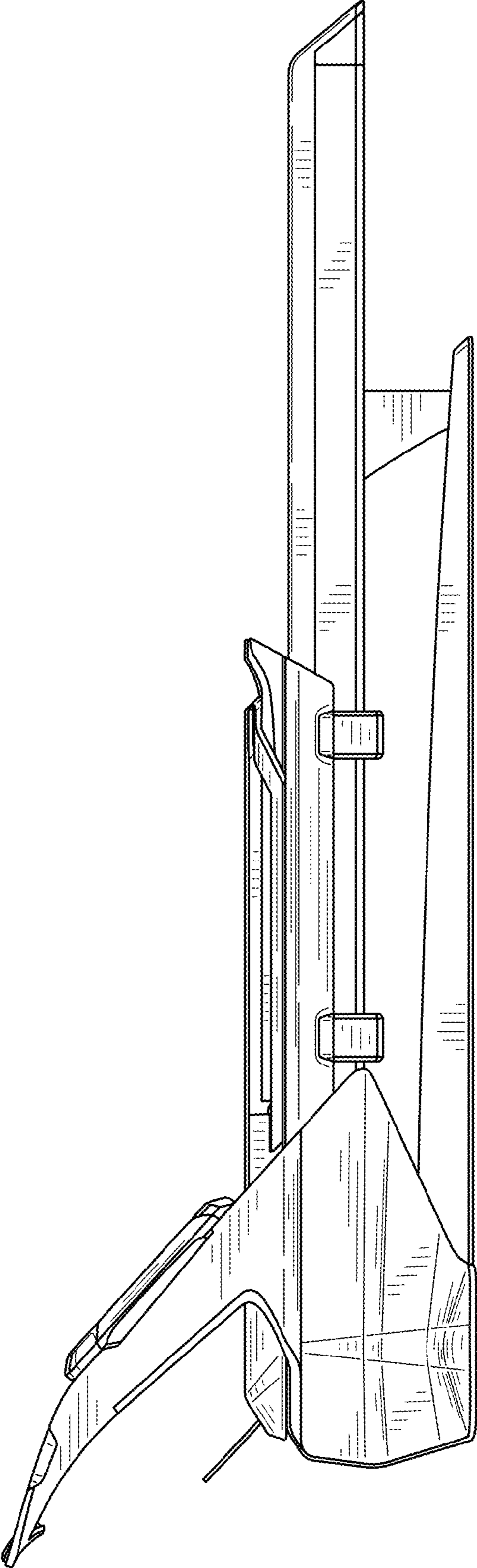


FIG. 5

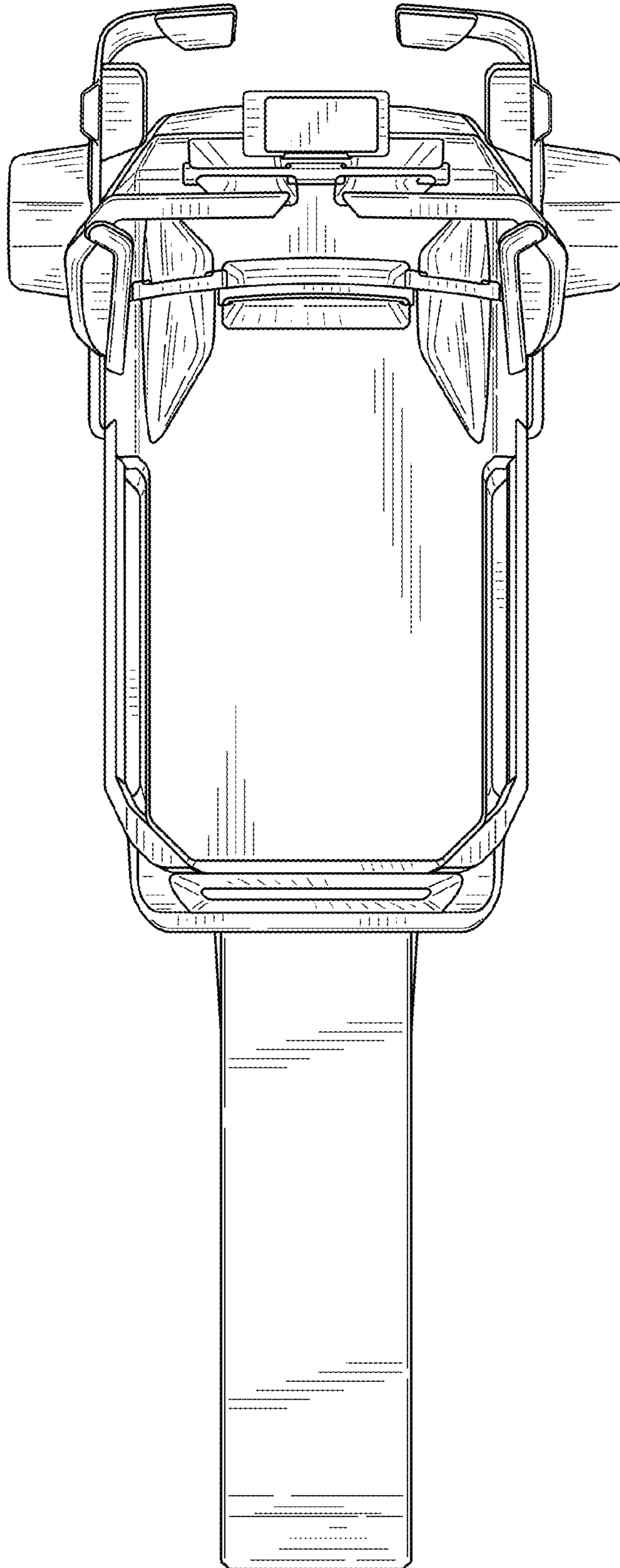


FIG. 6

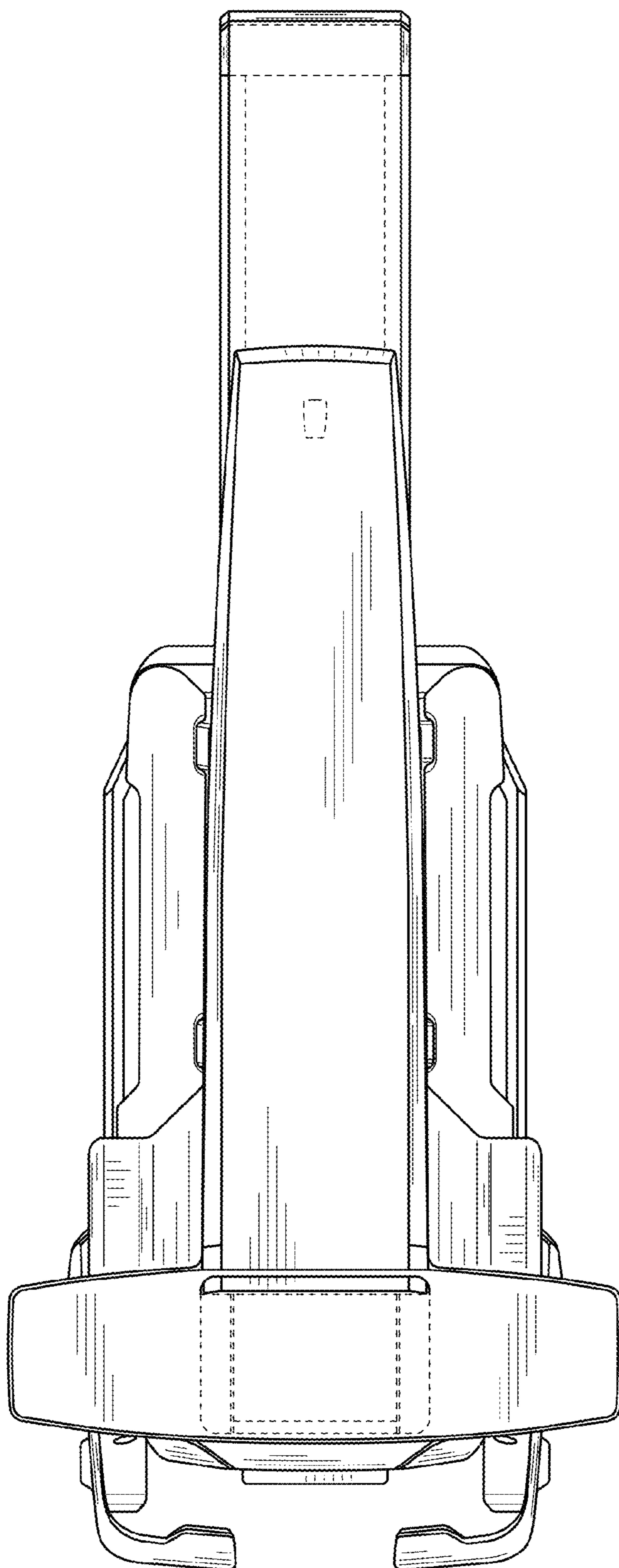


FIG. 7