

US00D764605S

(12) **United States Design Patent**  
**Ueda et al.**

(10) **Patent No.:** **US D764,605 S**  
(45) **Date of Patent:** **\*\* Aug. 23, 2016**

(54) **TOY ROBOT**

(56)

**References Cited**

(71) Applicant: **BANDAI CO., LTD.**, Tokyo (JP)

U.S. PATENT DOCUMENTS

(72) Inventors: **Masahiro Ueda**, Tokyo (JP); **Masayuki Endo**, Tokyo (JP); **Naomi Takebe**, Tokyo (JP); **Takashi Kunita**, Tokyo (JP)

D453,199 S *	1/2002	Sawai .....	D21/578
D534,971 S *	1/2007	Chung .....	D21/578
D561,213 S *	2/2008	Mitchell .....	D15/199
D561,214 S *	2/2008	Mitchell .....	D12/578
D561,215 S *	2/2008	Mitchell .....	D15/199
D561,795 S *	2/2008	Mitchell .....	D15/199
D593,164 S *	5/2009	Sonoda .....	D21/578
D622,786 S *	8/2010	Lee .....	D21/578
D645,523 S *	9/2011	Wong .....	D15/199
D647,149 S *	10/2011	Wong .....	D15/199
D662,154 S *	6/2012	Hara .....	D15/199

(73) Assignee: **BANDAI CO., LTD.**, Tokyo (JP)

(\*\*) Term: **15 Years**

\* cited by examiner

(21) Appl. No.: **29/526,904**

(22) Filed: **May 13, 2015**

*Primary Examiner* — Zenia Bennett

(30) **Foreign Application Priority Data**

(74) *Attorney, Agent, or Firm* — Rabin & Berdo, P.C.

Nov. 14, 2014 (JP) ..... 2014-025363

(57) **CLAIM**

(51) **LOC (10) Cl.** ..... **21-01**

The ornamental design for a toy robot, as shown and described.

(52) **U.S. Cl.**

**DESCRIPTION**

USPC ..... **D21/578**

FIG. 1 is a perspective view of a toy robot;  
FIG. 2 is another perspective view thereof;  
FIG. 3 is a front view thereof;  
FIG. 4 is a rear view thereof;  
FIG. 5 is a top view thereof;  
FIG. 6 is a bottom view thereof;  
FIG. 7 is a right side thereof; and,  
FIG. 8 is a left side view thereof.

(58) **Field of Classification Search**

USPC ..... D21/578-583, 621, 622; 446/268-274,  
446/279, 280, 285, 289-292, 294, 297-303,  
446/353-355, 376-384; D15/199;  
318/568.11, 568.12, 568.2

CPC ..... B25J 9/00

See application file for complete search history.

**1 Claim, 8 Drawing Sheets**

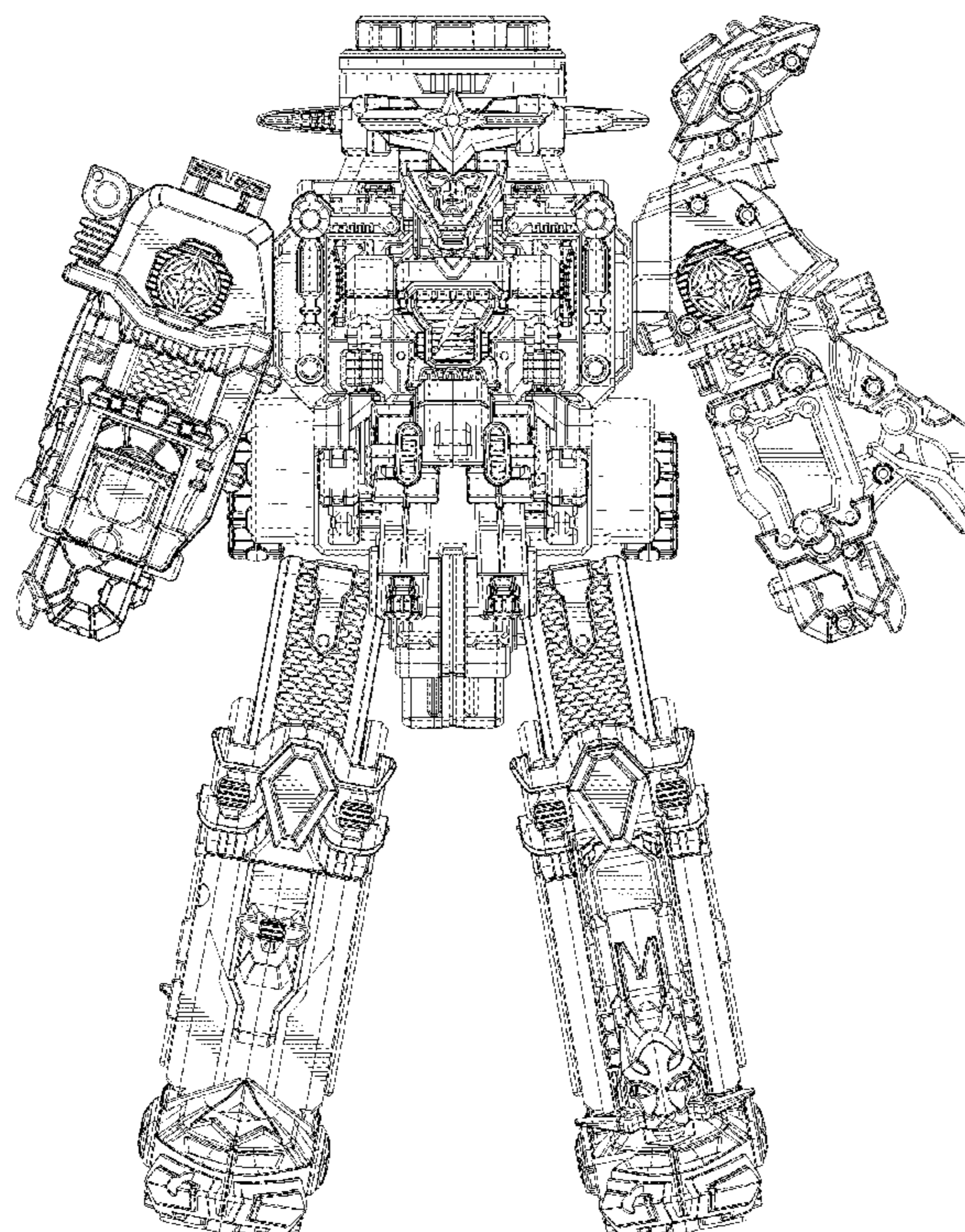


FIG. 1

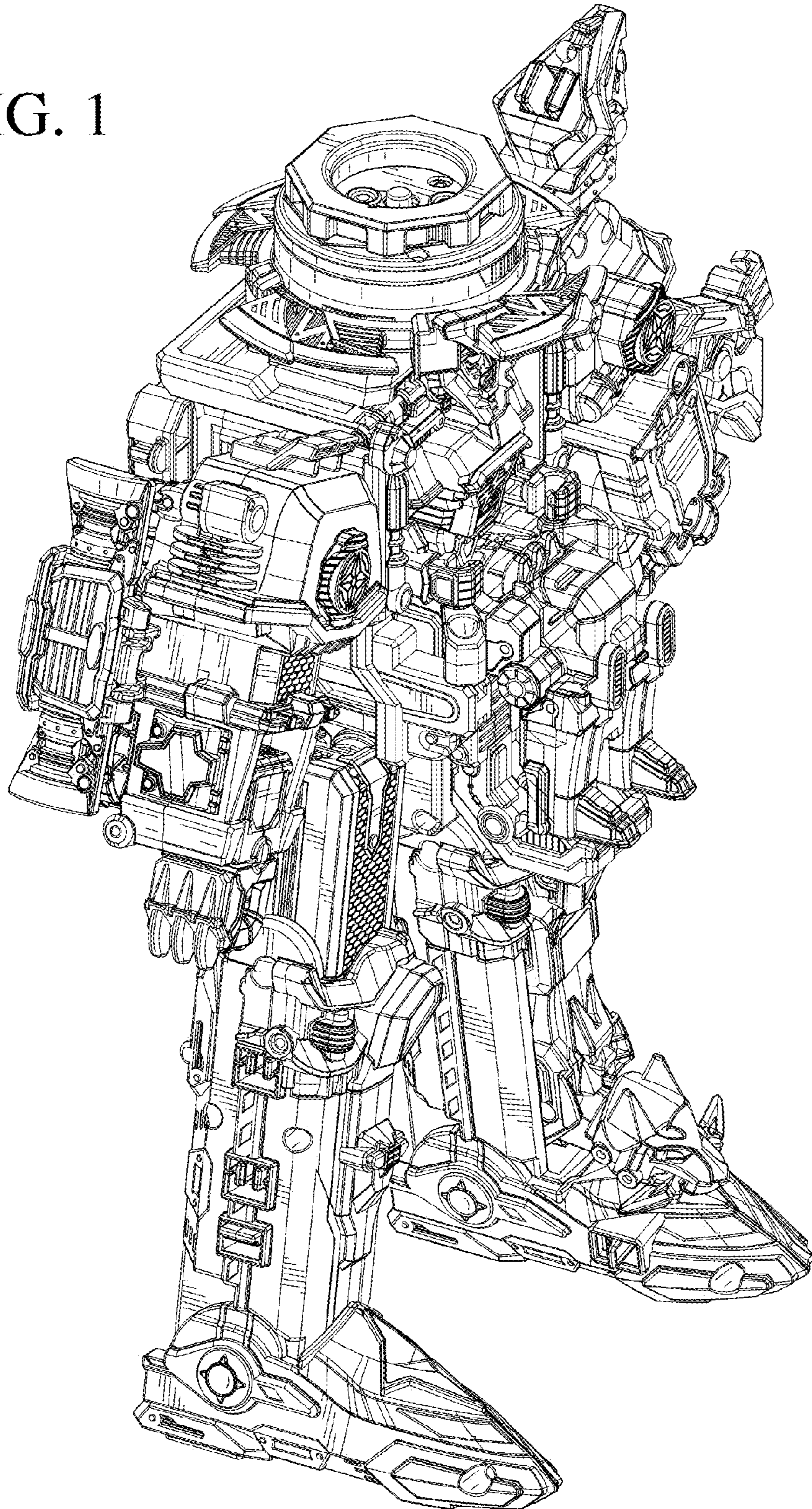


FIG. 2

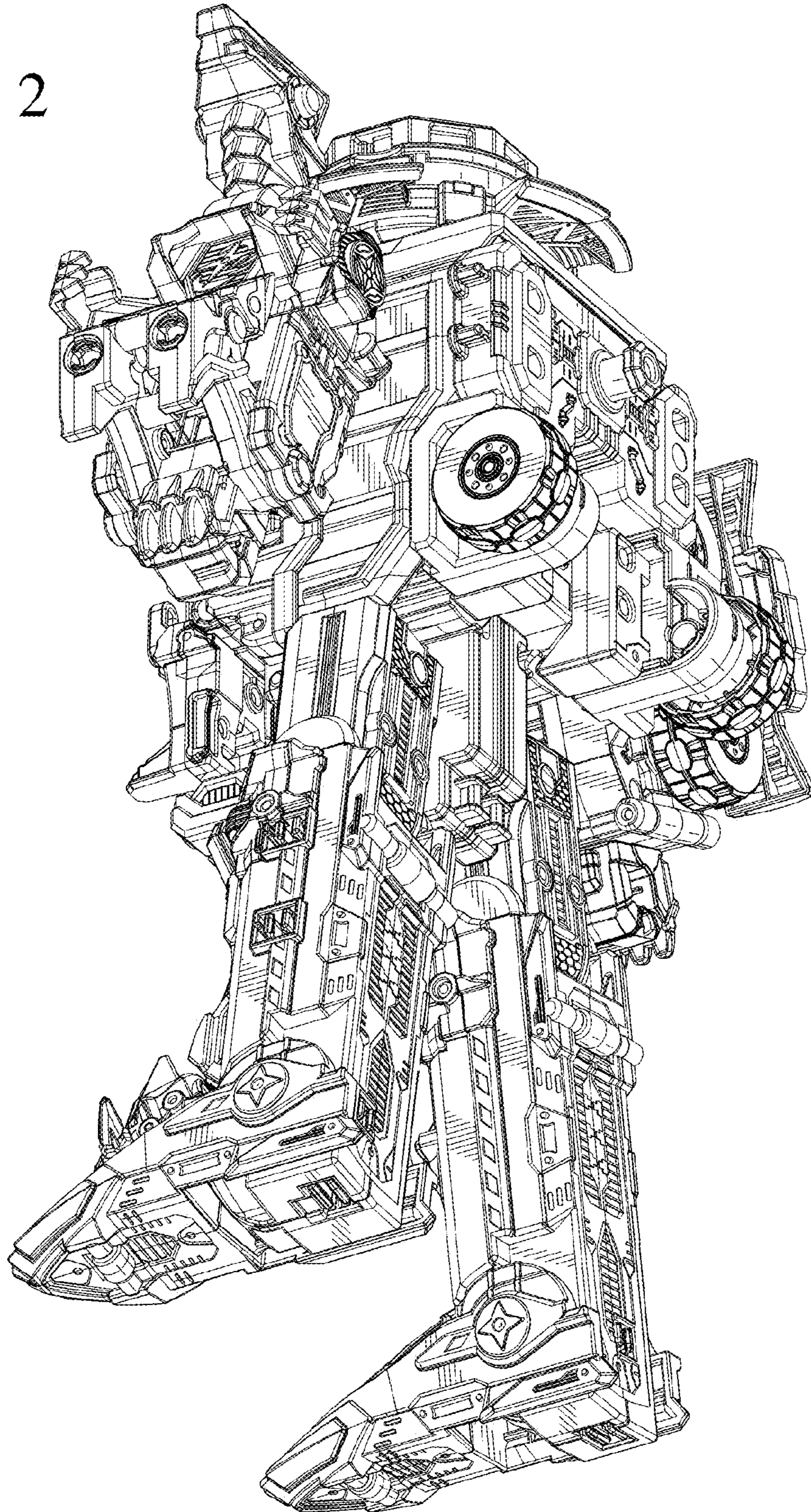
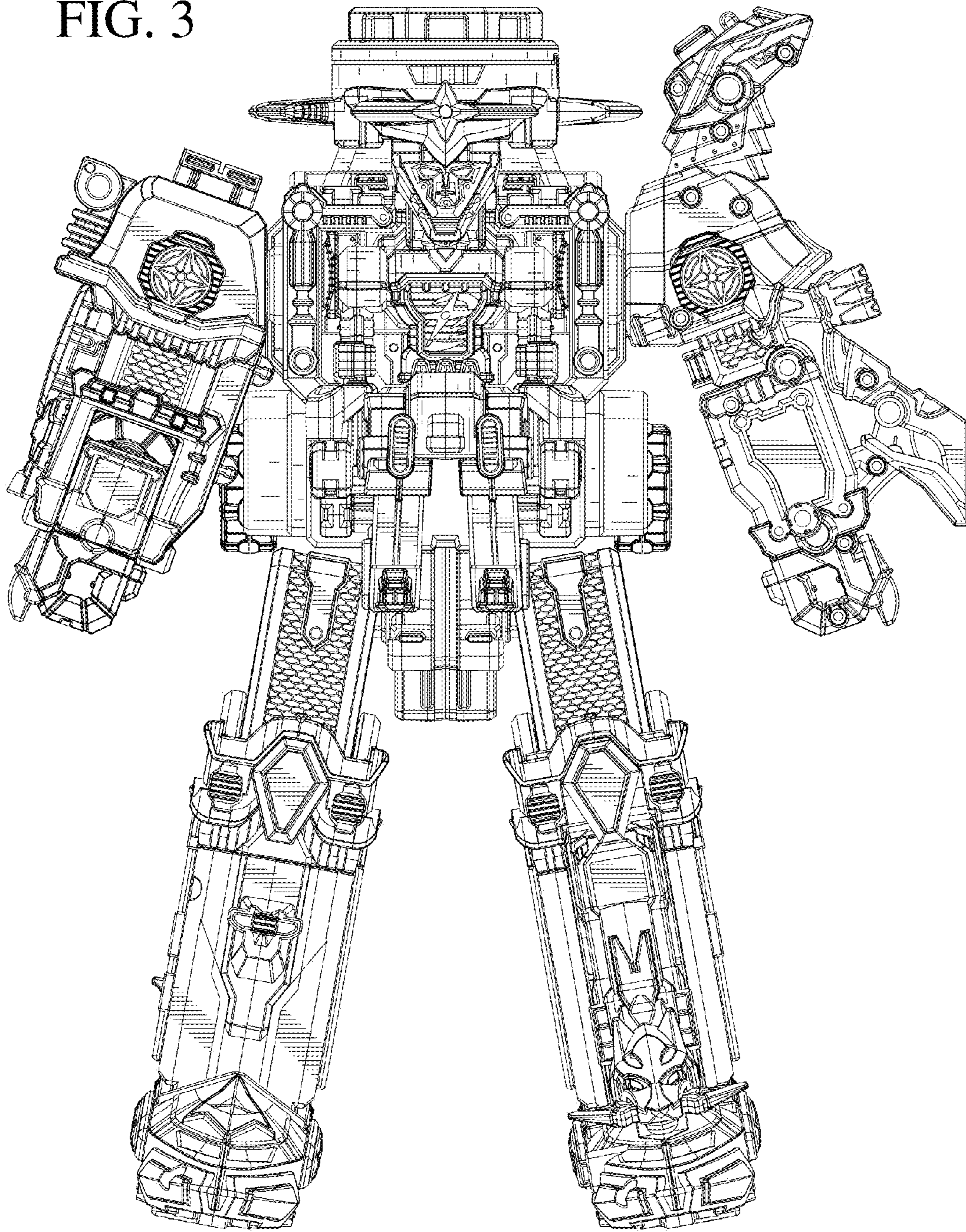
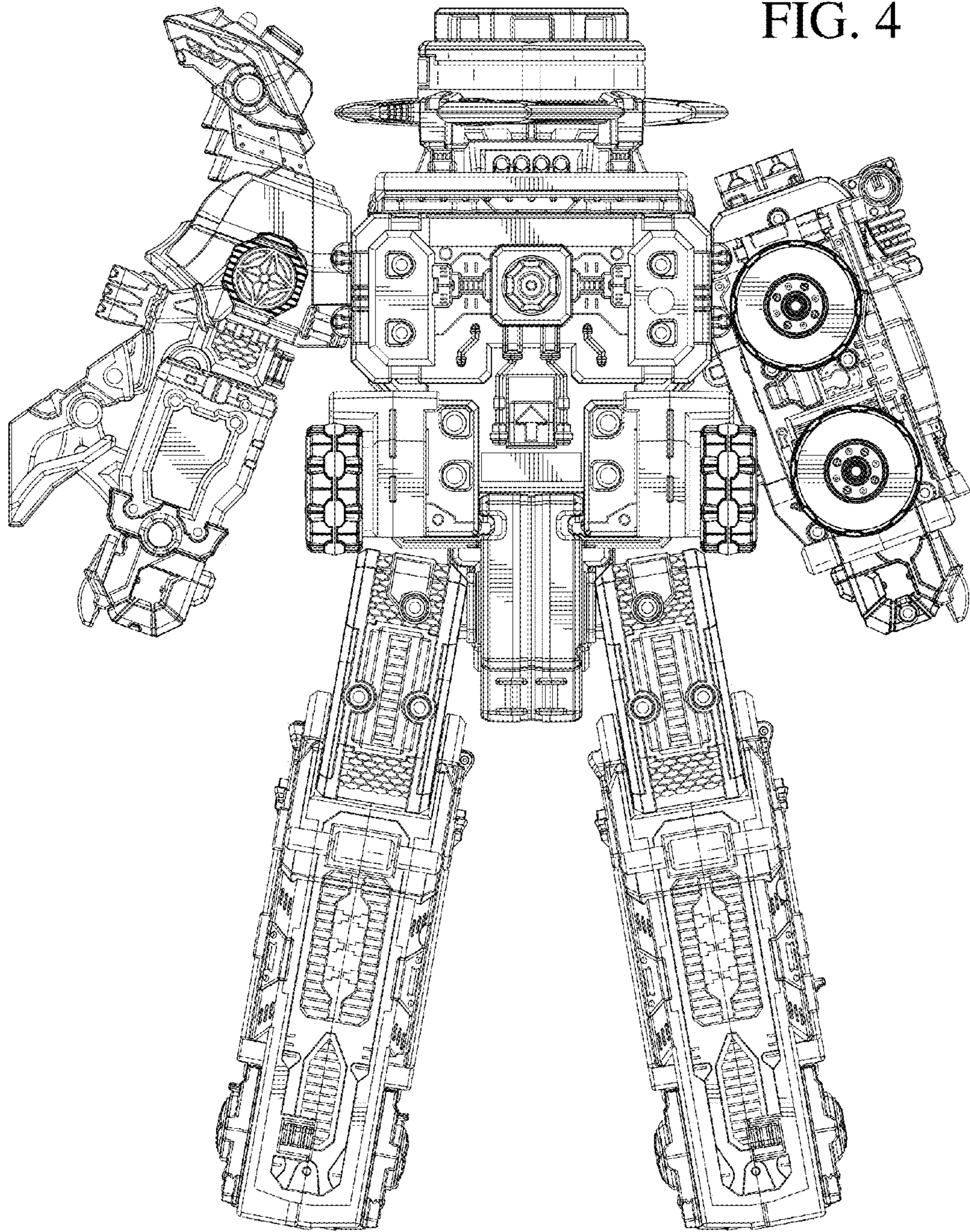


FIG. 3





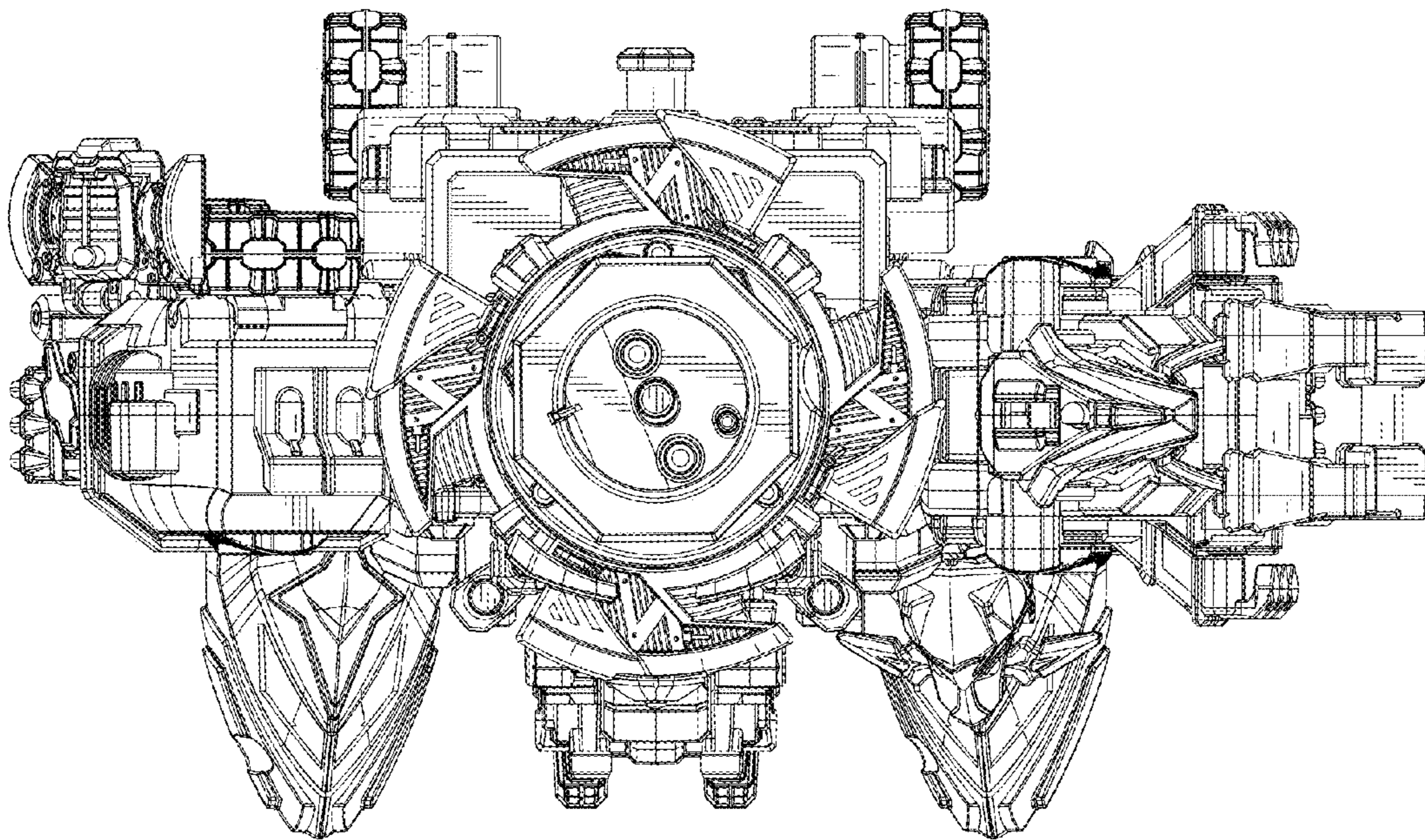


FIG. 5

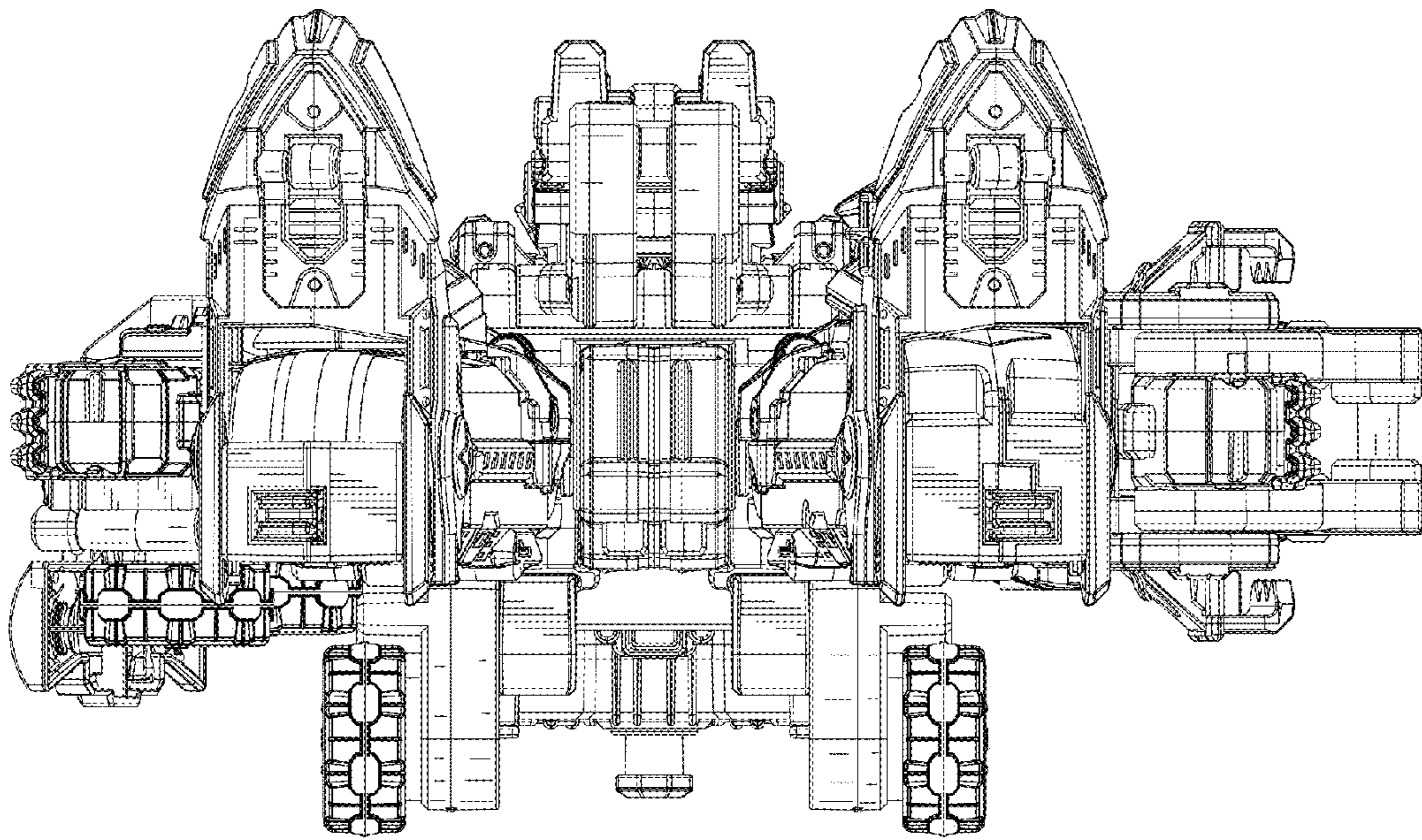


FIG. 6

FIG. 7

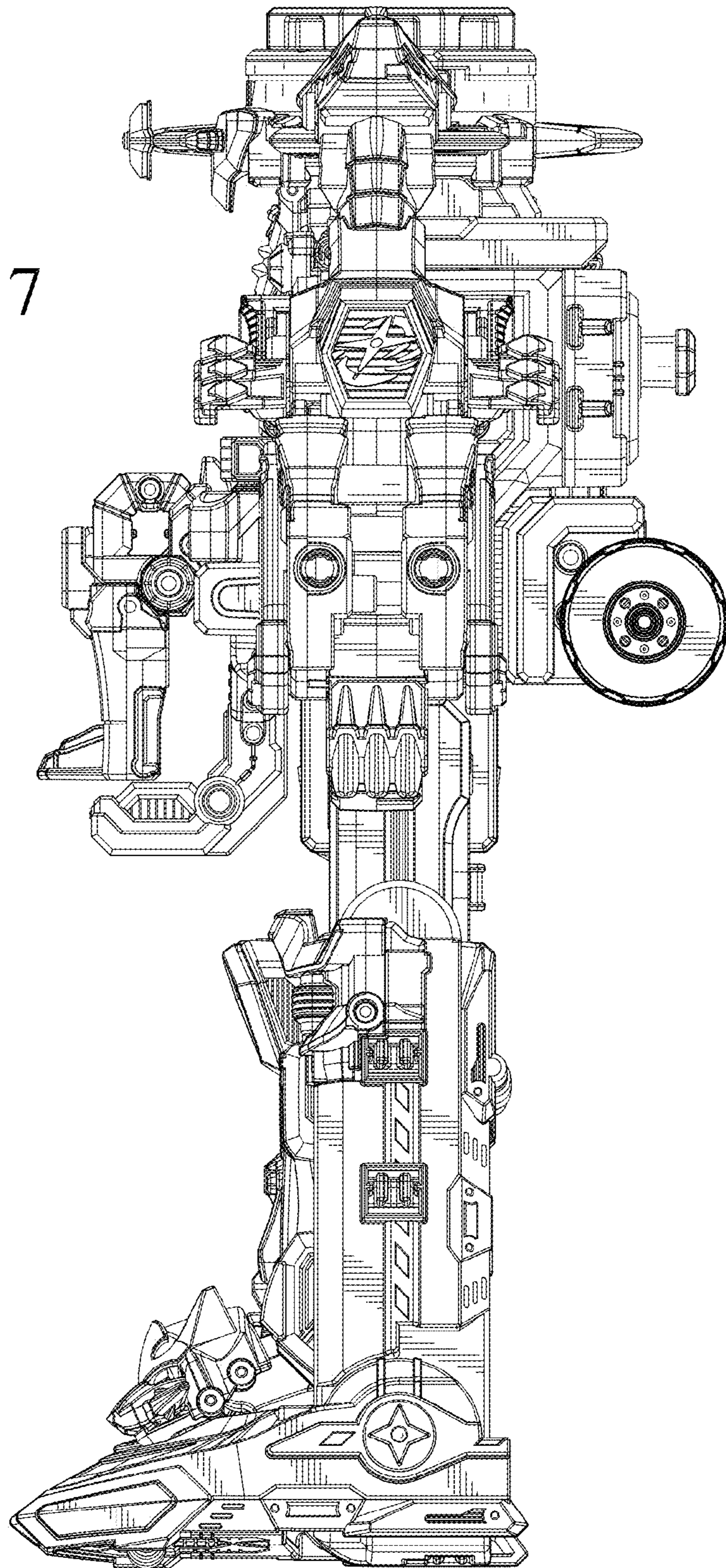




FIG. 8

