



US00D764601S

(12) **United States Design Patent**
Desberg

(10) **Patent No.:** **US D764,601 S**

(45) **Date of Patent:** **** Aug. 23, 2016**

- (54) **KART**
- (71) Applicant: **RAZOR USA LLC**, Cerritos, CA (US)
- (72) Inventor: **Ian Desberg**, Cerritos, CA (US)
- (73) Assignee: **Razor USA LLC**, Cerritos, CA (US)
- (**) Term: **15 Years**
- (21) Appl. No.: **29/530,064**
- (22) Filed: **Jun. 12, 2015**
- (51) **LOC (10) Cl.** **21-01**
- (52) **U.S. Cl.**
USPC **D21/426**
- (58) **Field of Classification Search**
USPC D21/419, 421, 423, 426, 662, 760, 765,
D21/766, 769, 771, 776, 803; D12/1, 6,
D12/130; 280/7.14, 11.115, 11.19, 11.27,
280/11.28, 14.21, 79.11, 79.2, 87.01,
280/87.021, 87.03, 87.041, 87.042, 607,
280/608, 609, 809; 180/180, 181; 434/247,
434/253, 258; D34/23, 28; 446/443
CPC A63C 17/00; A63C 17/0026; A63C
17/0033; A63C 17/01; A63C 17/04; A63C
17/265; A63C 17/26; A63C 17/28; B62K
3/002
See application file for complete search history.

D276,058 S *	10/1984	Rogers	D21/426
4,484,646 A *	11/1984	Smith	B62D 11/08 446/443
D300,127 S *	3/1989	Poss	D12/112
4,896,899 A *	1/1990	Lawrence	B60B 5/02 280/775
5,069,469 A *	12/1991	Rosengrant	B62K 3/005 280/259
D343,424 S *	1/1994	Lamb	D21/426
D368,743 S *	4/1996	Amburgey	D12/108
D382,917 S *	8/1997	Brodoski	D21/425
D384,706 S *	10/1997	Temple	D21/430
D437,364 S *	2/2001	Jang	D21/424
D512,467 S *	12/2005	Hadley	D21/424
7,114,742 B1 *	10/2006	Sterns	B25H 5/00 280/32.6
D582,992 S *	12/2008	Alais	D21/426
D601,640 S *	10/2009	McIlvain	D21/433
8,801,005 B1 *	8/2014	Flickner	B62B 3/04 280/35

* cited by examiner

Primary Examiner — Cynthia M Chin

(74) *Attorney, Agent, or Firm* — Knobbe, Martens, Olson & Bear LLP

(57) **CLAIM**

The ornamental design for a kart, as shown and described.

DESCRIPTION

FIG. 1 is a front perspective view of a kart, which embodies my design.

FIG. 2 is a front view of the kart of FIG. 1.

FIG. 3 is a rear view of the kart of FIG. 1.

FIG. 4 is a left side view of the kart of FIG. 1.

FIG. 5 is a ride side view of the kart of FIG. 1.

FIG. 6 is a top view of the kart of FIG. 1; and,

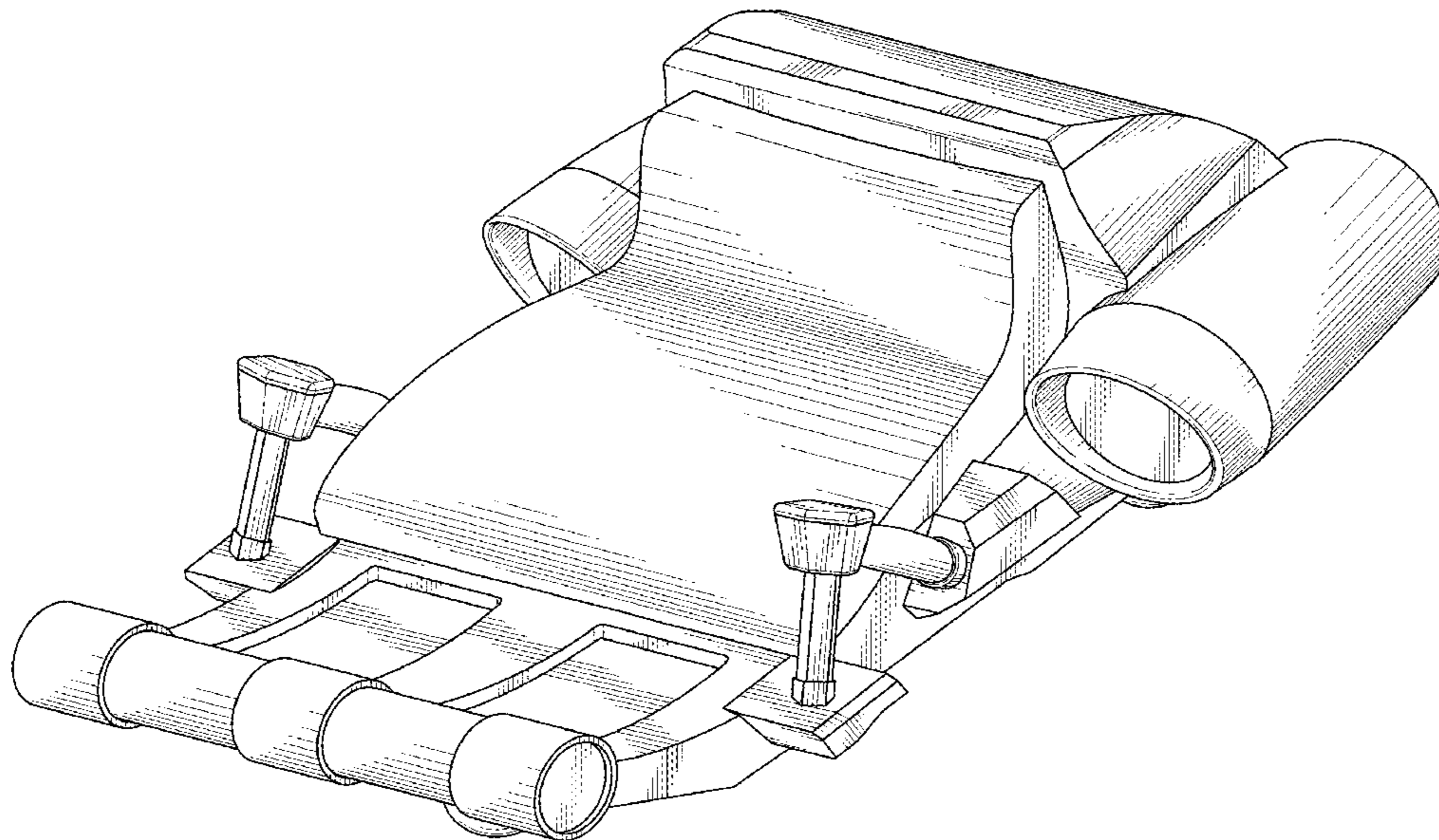
FIG. 7 is a bottom view of the kart of FIG. 1.

1 Claim, 5 Drawing Sheets

(56) **References Cited**

U.S. PATENT DOCUMENTS

D214,576 S *	7/1969	King	D21/426
D215,861 S *	11/1969	Cook	D21/426
D251,324 S *	3/1979	Vaughn	D21/426
D254,380 S *	3/1980	Thomas	D21/426
D258,368 S *	2/1981	Cornish	D21/430
4,359,231 A *	11/1982	Mulcahy	B62D 9/02 280/87.01



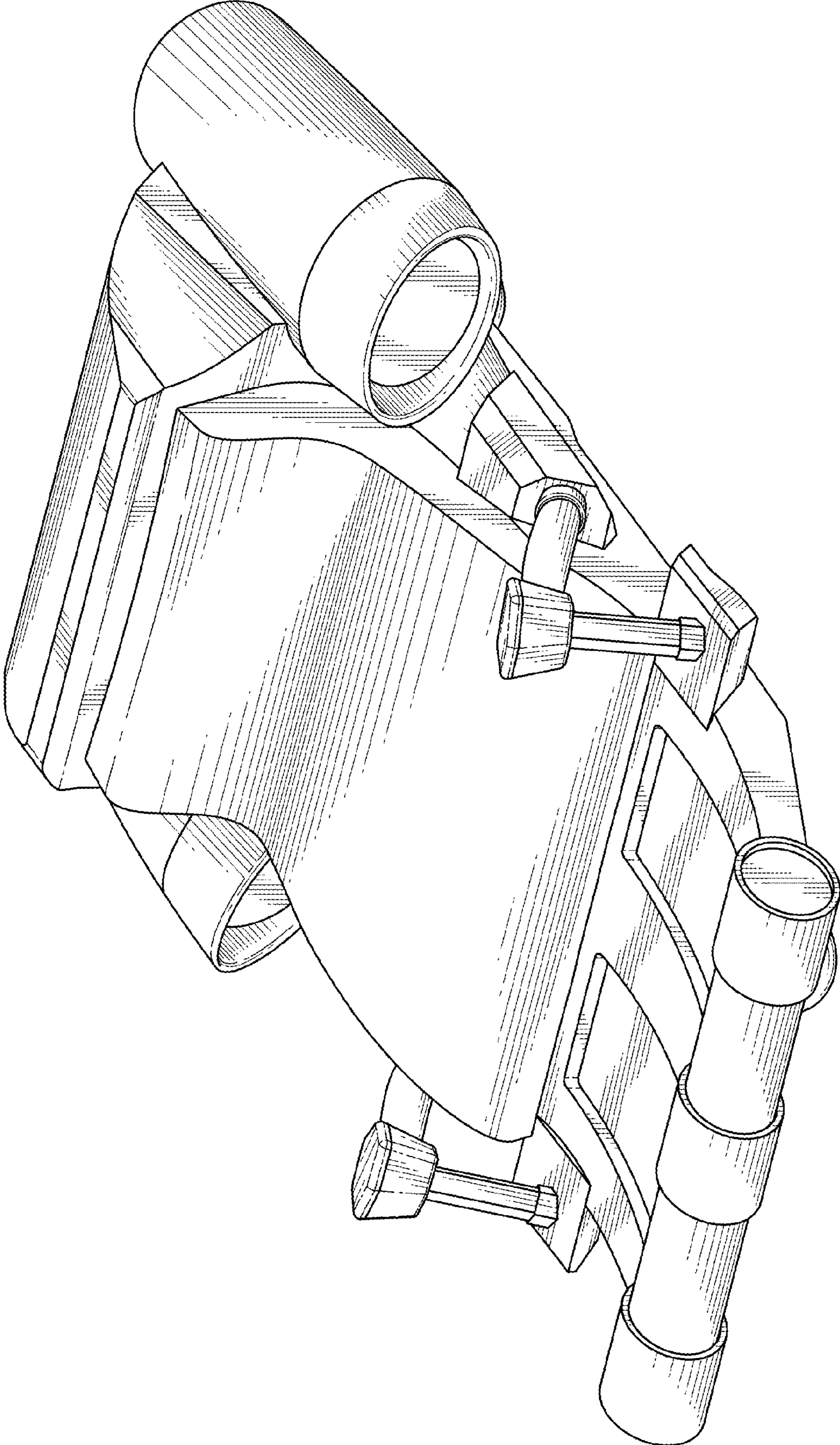


FIG. 1

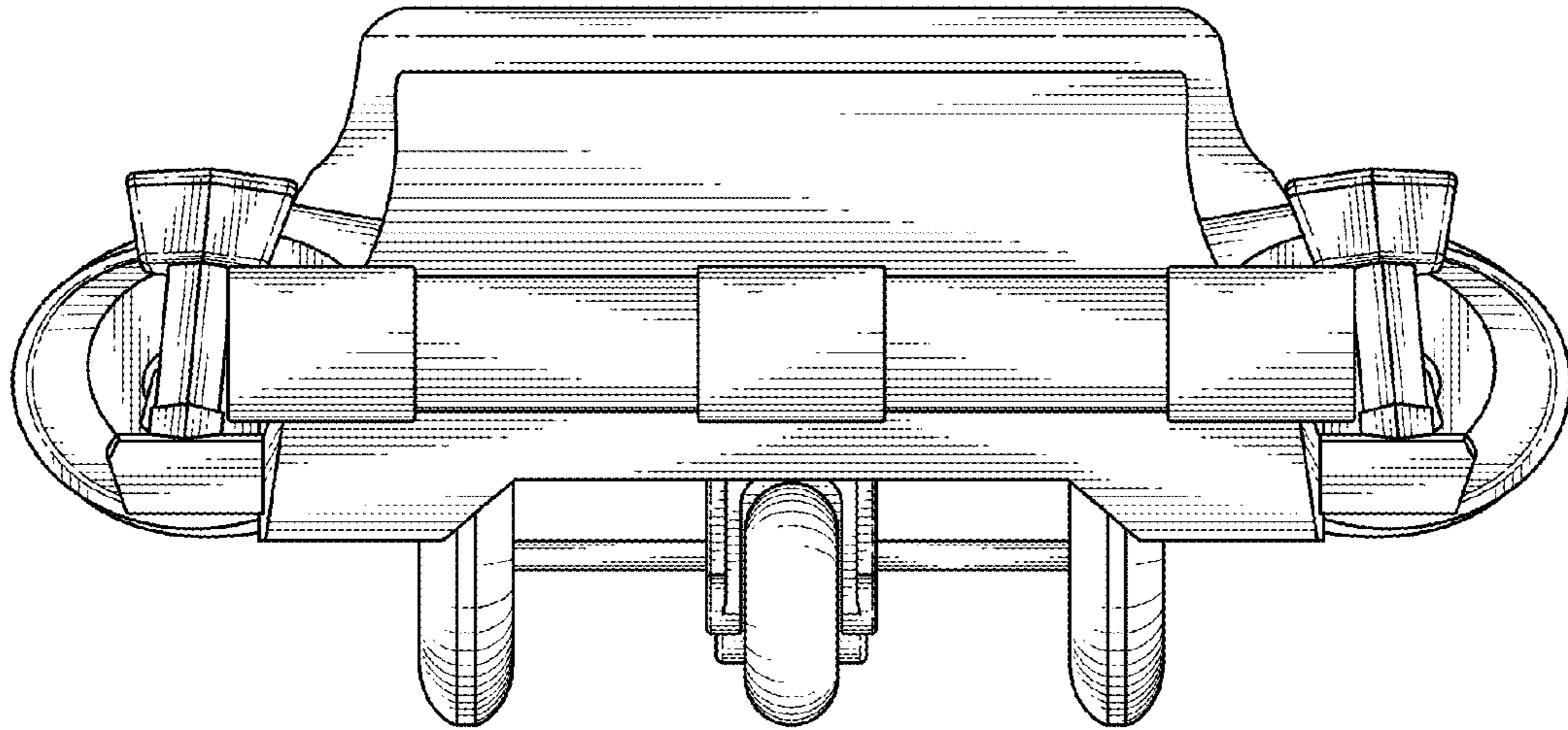


FIG. 2

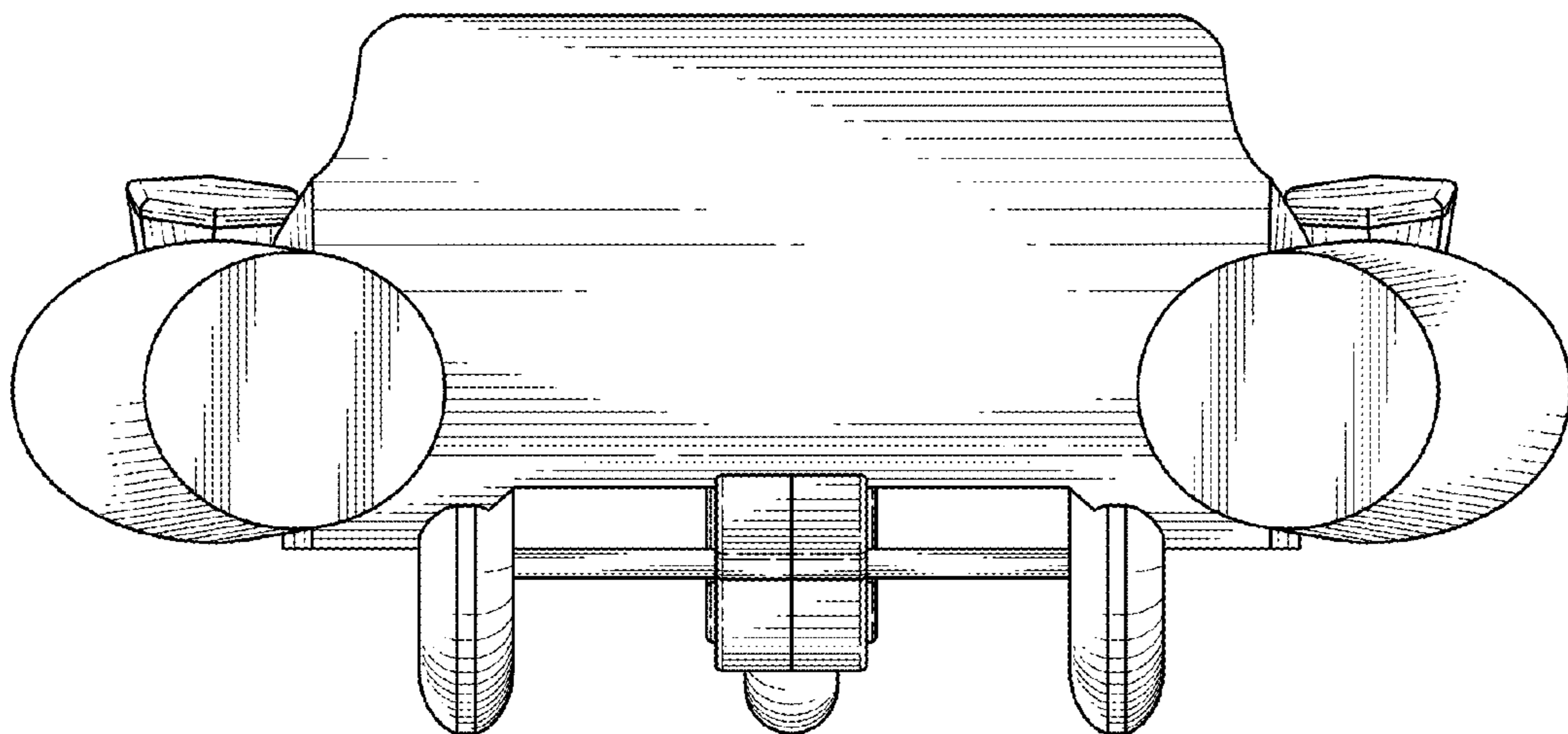


FIG. 3

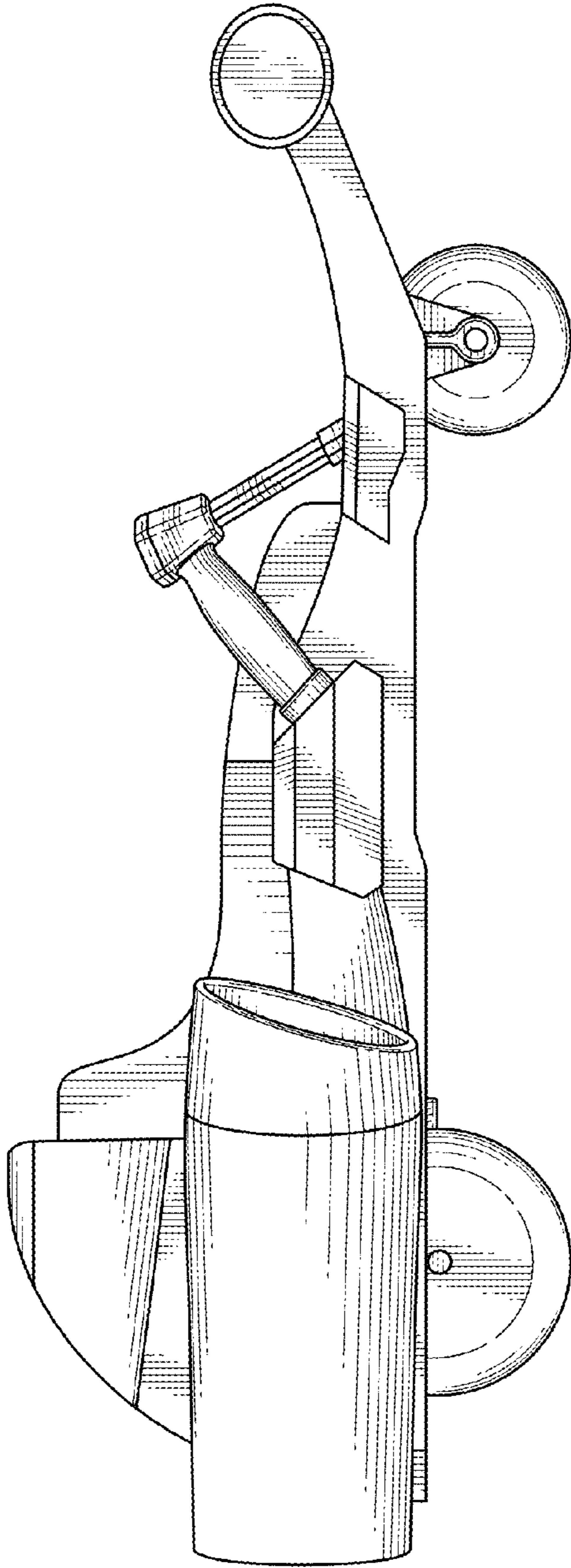


FIG. 4

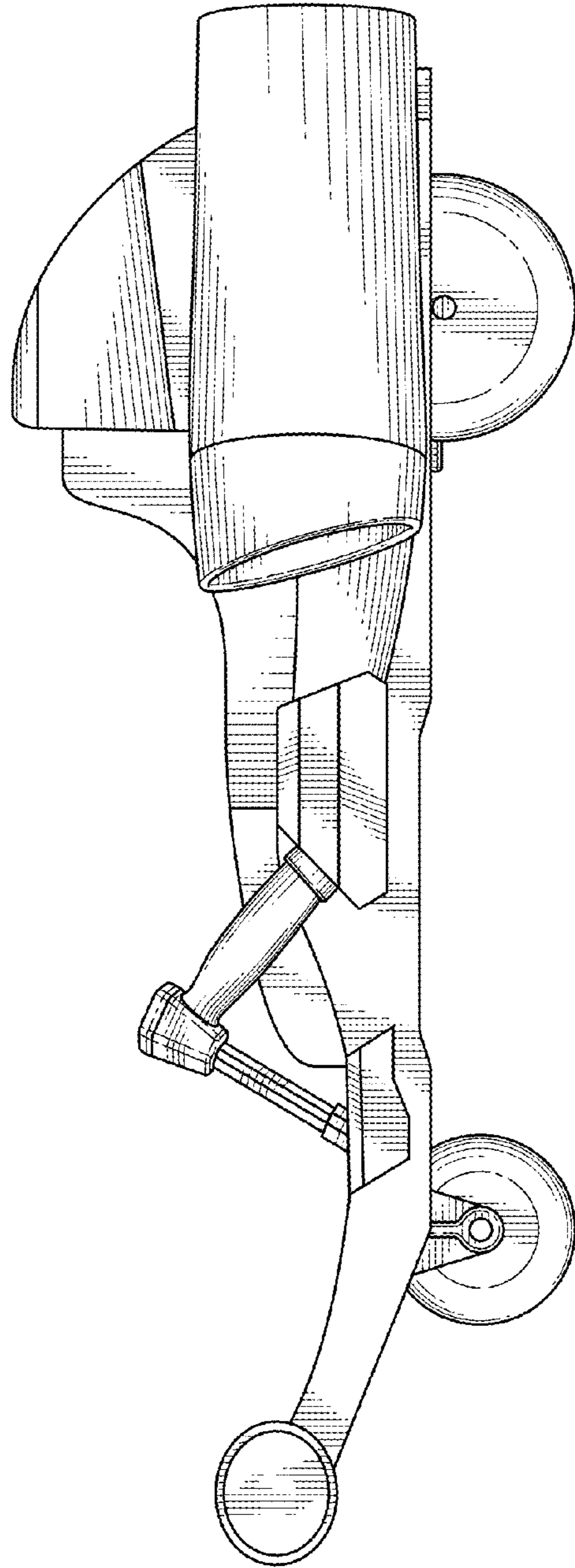


FIG. 5

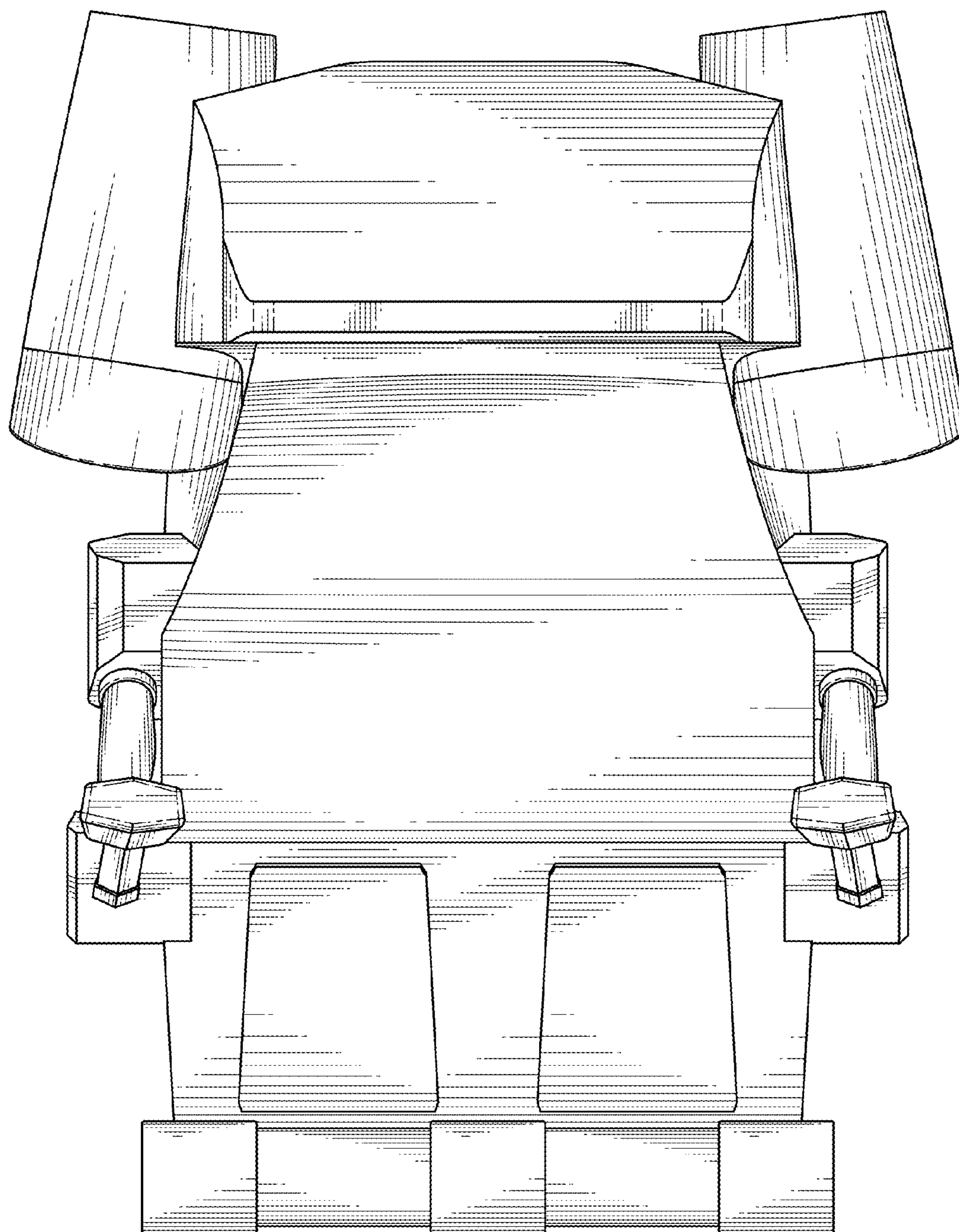


FIG. 6

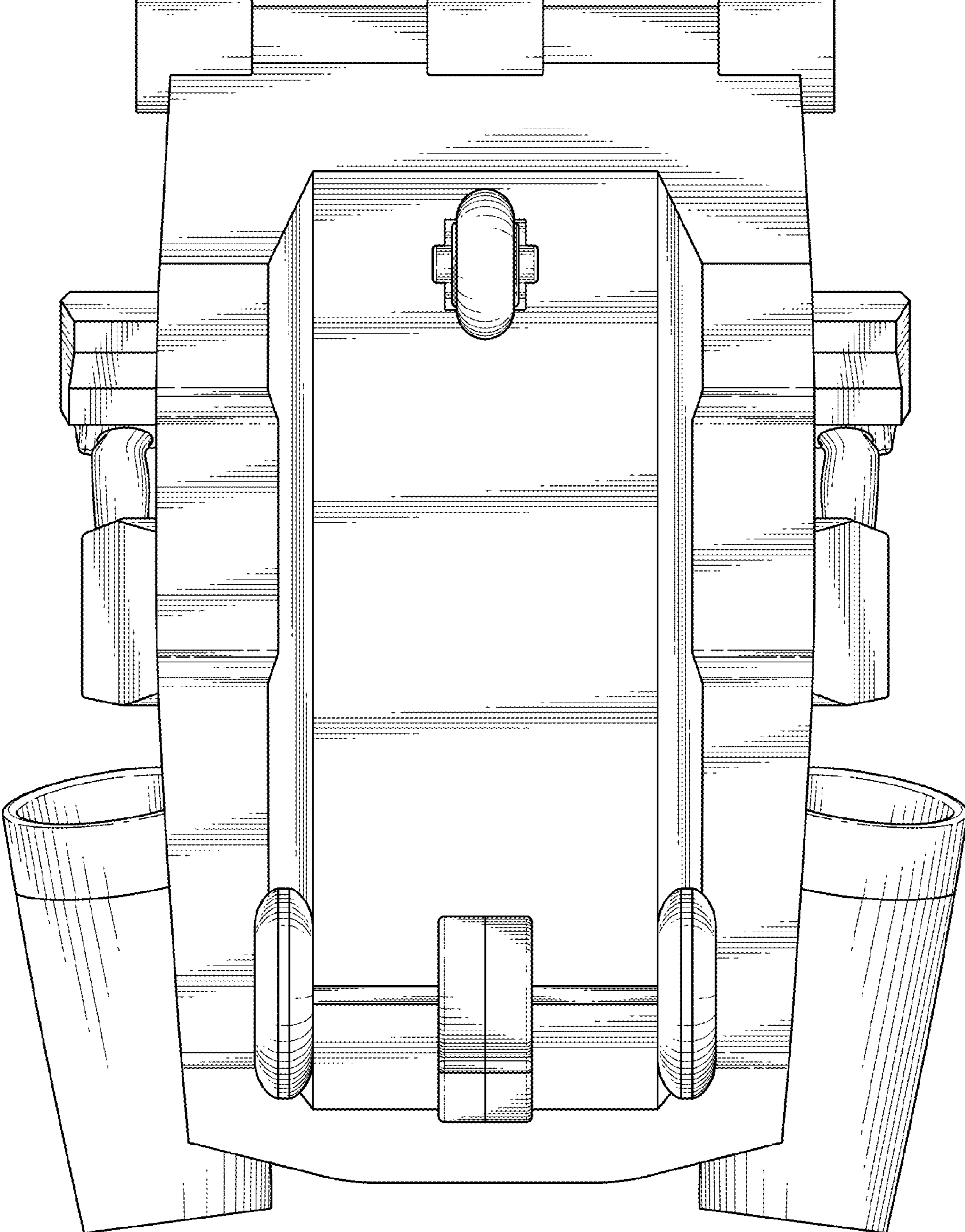


FIG. 7