



US00D764600S

(12) **United States Design Patent**
Desberg

(10) **Patent No.:** **US D764,600 S**

(45) **Date of Patent:** **** Aug. 23, 2016**

- (54) **KART**
- (71) Applicant: **RAZOR USA LLC**, Cerritos, CA (US)
- (72) Inventor: **Ian Desberg**, Cerritos, CA (US)
- (73) Assignee: **Razor USA LLC**, Cerritos, CA (US)
- (**) Term: **15 Years**
- (21) Appl. No.: **29/530,063**
- (22) Filed: **Jun. 12, 2015**
- (51) **LOC (10) Cl.** **21-01**
- (52) **U.S. Cl.**
USPC **D21/426**
- (58) **Field of Classification Search**
USPC D21/419, 421, 423, 426, 662, 760, 765,
D21/766, 769, 771, 776, 803; D12/1, 6,
D12/130; 280/7.14, 11.115, 11.19, 11.27,
280/11.28, 14.21, 79.11, 79.2, 87.01,
280/87.021, 87.03, 87.041, 87.042, 607,
280/608, 609, 809; 180/180, 181; 434/247,
434/253, 258; D34/23, 28
CPC A63C 17/00; A63C 17/0026; A63C
17/0033; A63C 17/01; A63C 17/04; A63C
17/265; A63C 17/26; A63C 17/28; B62K
3/002
See application file for complete search history.

- 3,437,161 A * 4/1969 Ufford A63C 17/01
D21/426
- 3,604,722 A * 9/1971 Boley A63G 1/00
280/87.01
- 3,870,334 A * 3/1975 Cole B62M 1/16
280/87.01
- D254,380 S * 3/1980 Thomas D21/426
- D266,100 S * 9/1982 Miller D21/426
- D301,497 S * 6/1989 Gassaway D21/425
- 4,875,694 A * 10/1989 Hamrick B25H 5/00
280/87.01
- D316,281 S * 4/1991 Mirisch, Sr. D21/425
- 5,046,750 A * 9/1991 Heubl B62K 9/00
280/87.021
- D464,999 S * 10/2002 Gu D21/419
- D466,560 S * 12/2002 Stolpmann D21/419
- D469,819 S * 2/2003 Nicolle D21/426
- D582,992 S * 12/2008 Alais D21/426

* cited by examiner

Primary Examiner — Cynthia M Chin

(74) *Attorney, Agent, or Firm* — Knobbe, Martens, Olson & Bear LLP

(57) **CLAIM**

The ornamental design for a kart, as shown and described.

DESCRIPTION

FIG. 1 is a front perspective view of a kart, which embodies my design.

FIG. 2 is a left side view of the kart of FIG. 1, the right side view of the kart of FIG. 1 is the minor image of FIG. 2.

FIG. 3 is a front view of the kart of FIG. 1.

FIG. 4 is a rear view of the kart of FIG. 1.

FIG. 5 is a top view of the kart of FIG. 1; and,

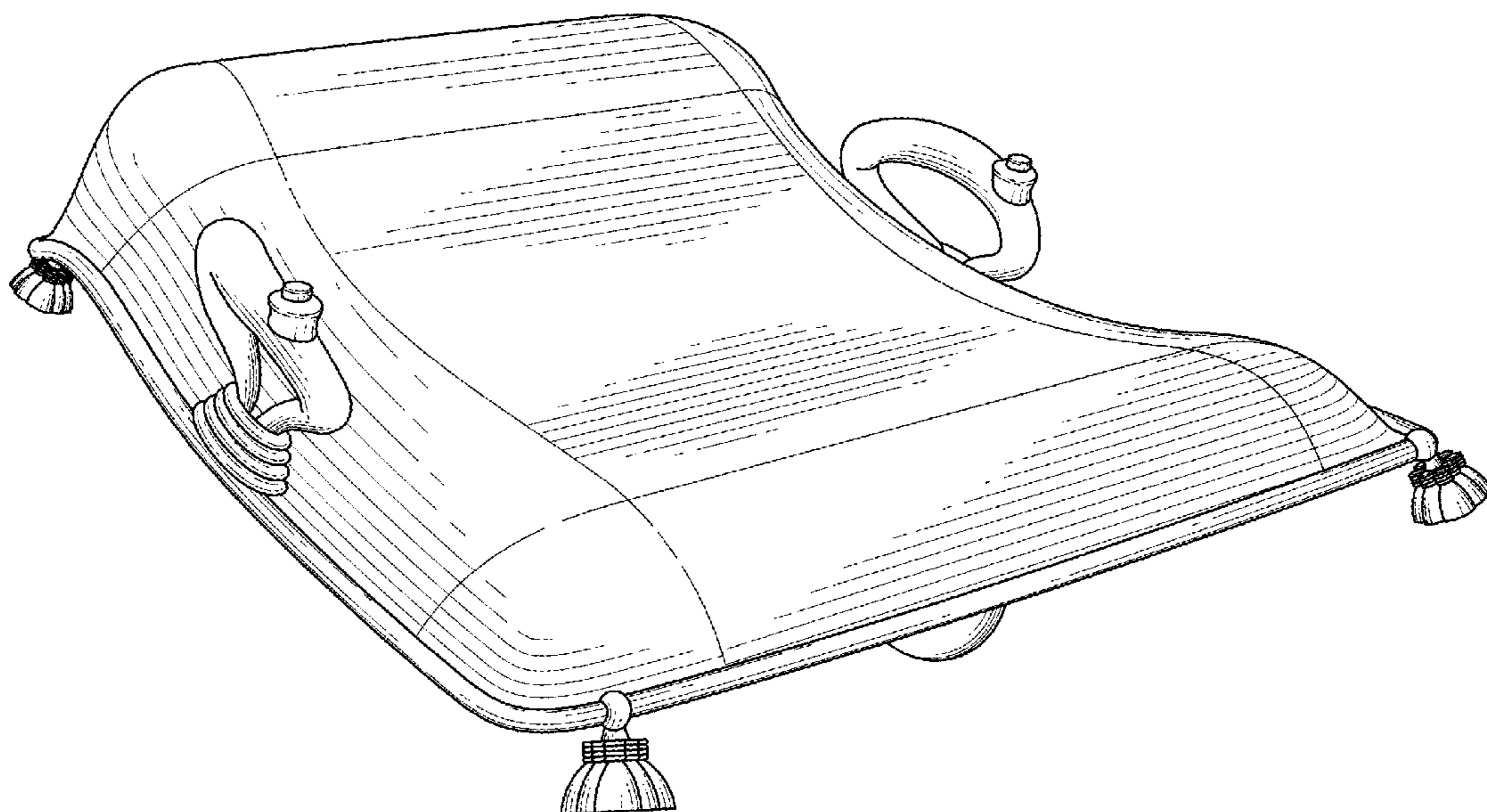
FIG. 6 is a bottom view of the kart of FIG. 1.

1 Claim, 5 Drawing Sheets

(56) **References Cited**

U.S. PATENT DOCUMENTS

- 2,219,905 A * 10/1940 Prickman B62B 13/005
280/87.01
- D213,370 S * 2/1969 Cherry D21/424



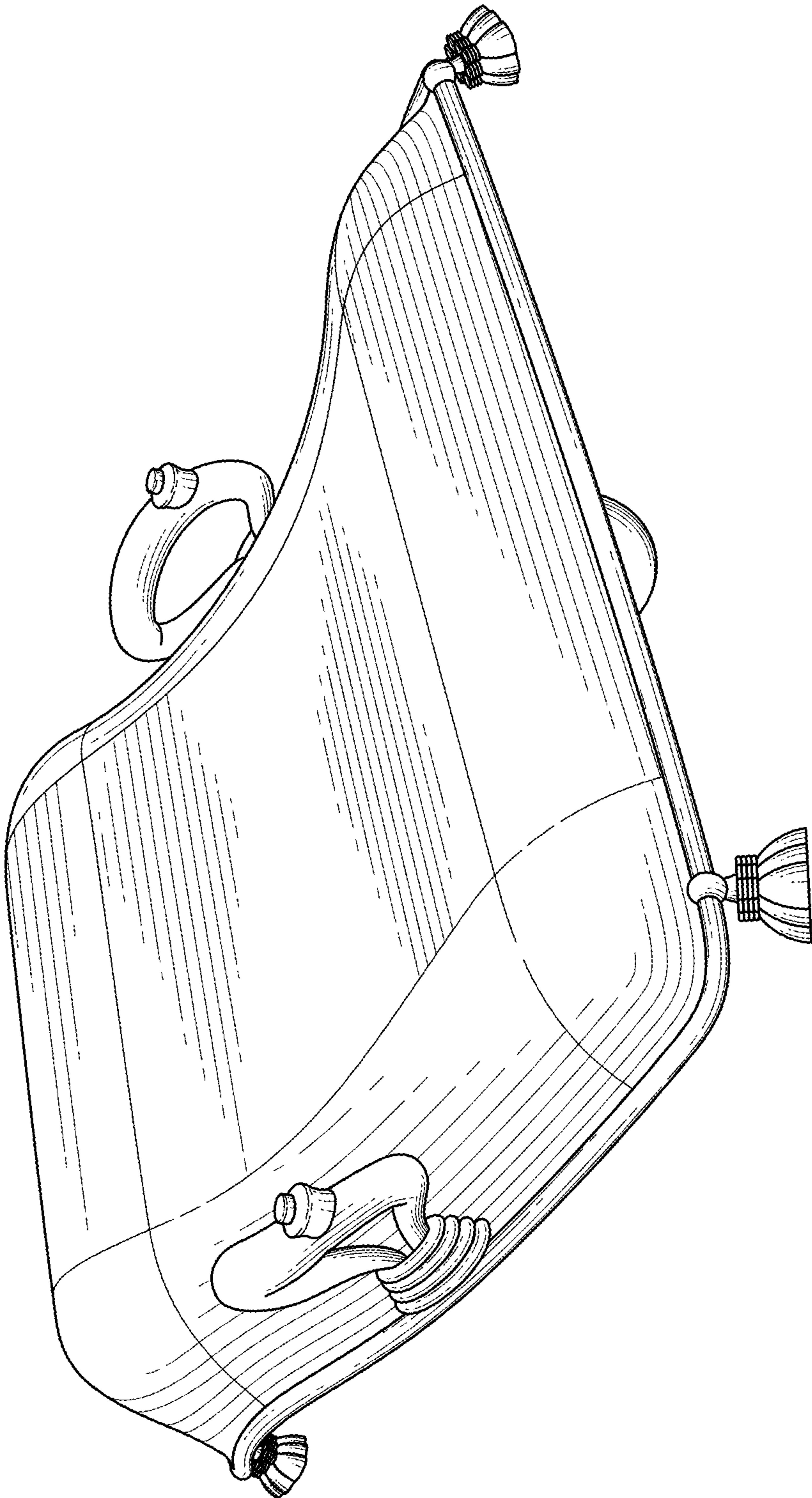


FIG. 1

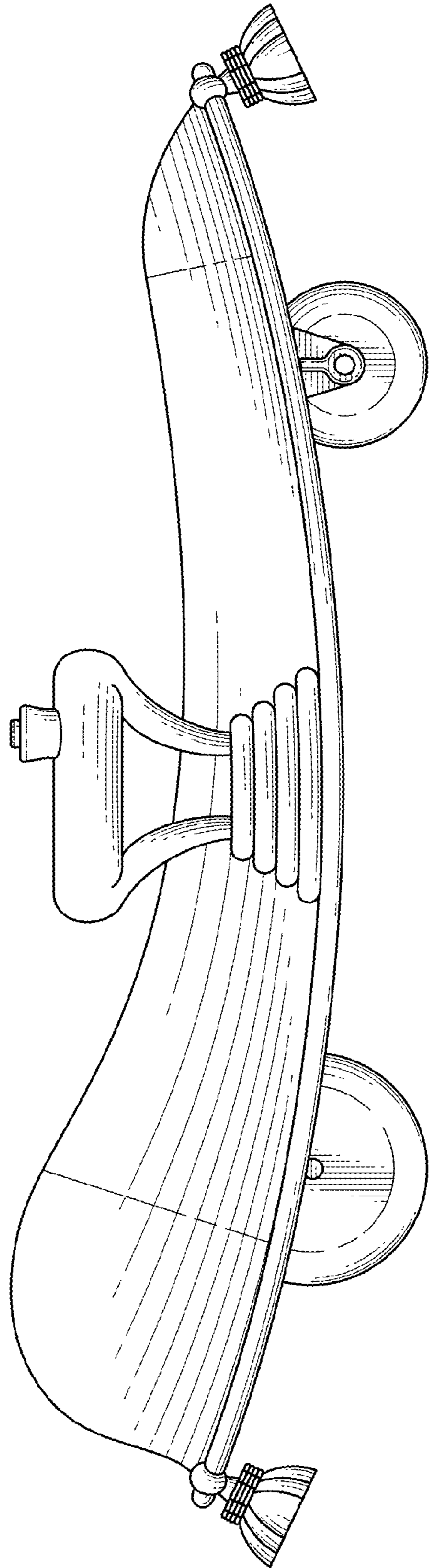


FIG. 2

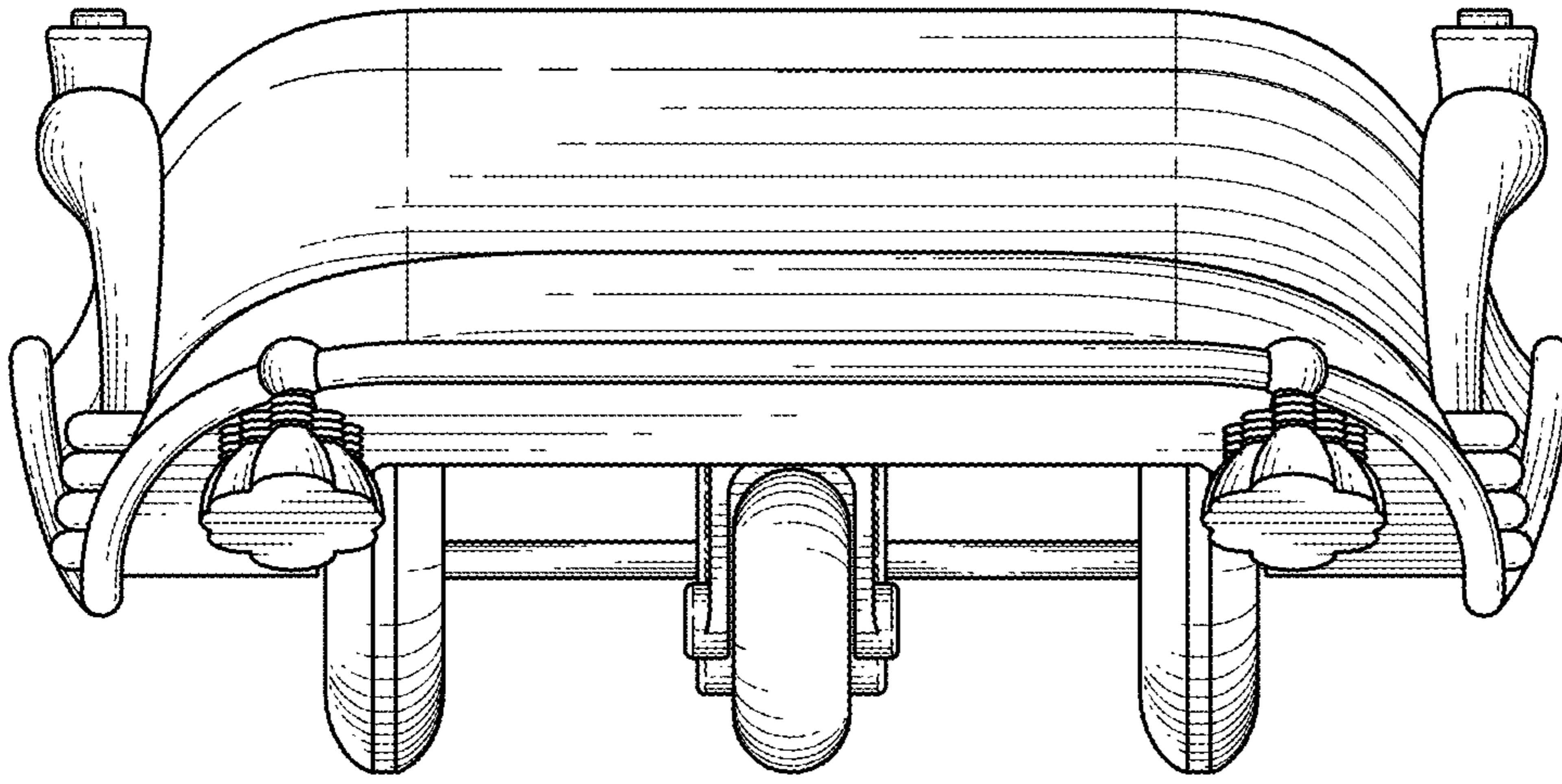


FIG. 3

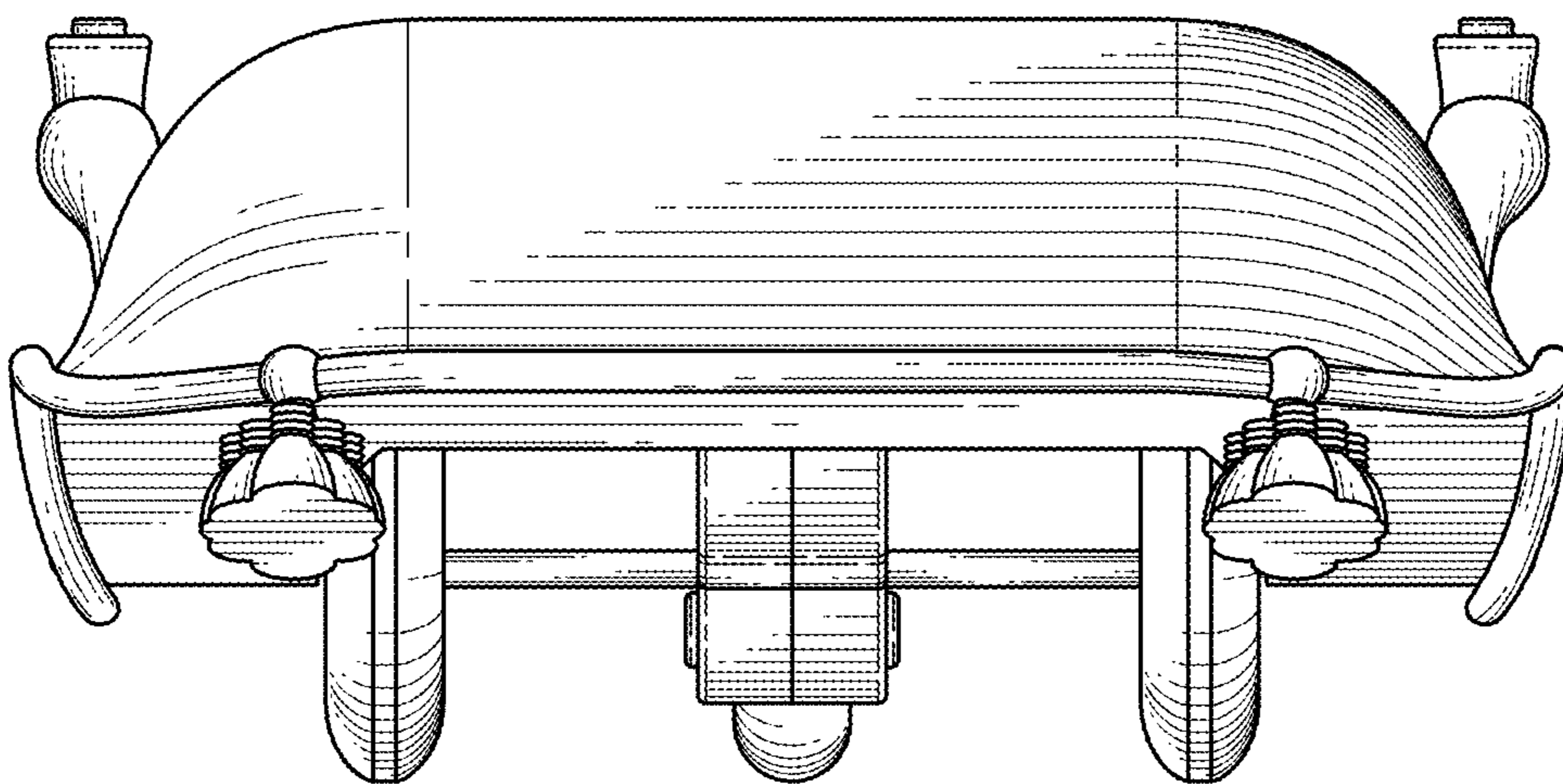


FIG. 4

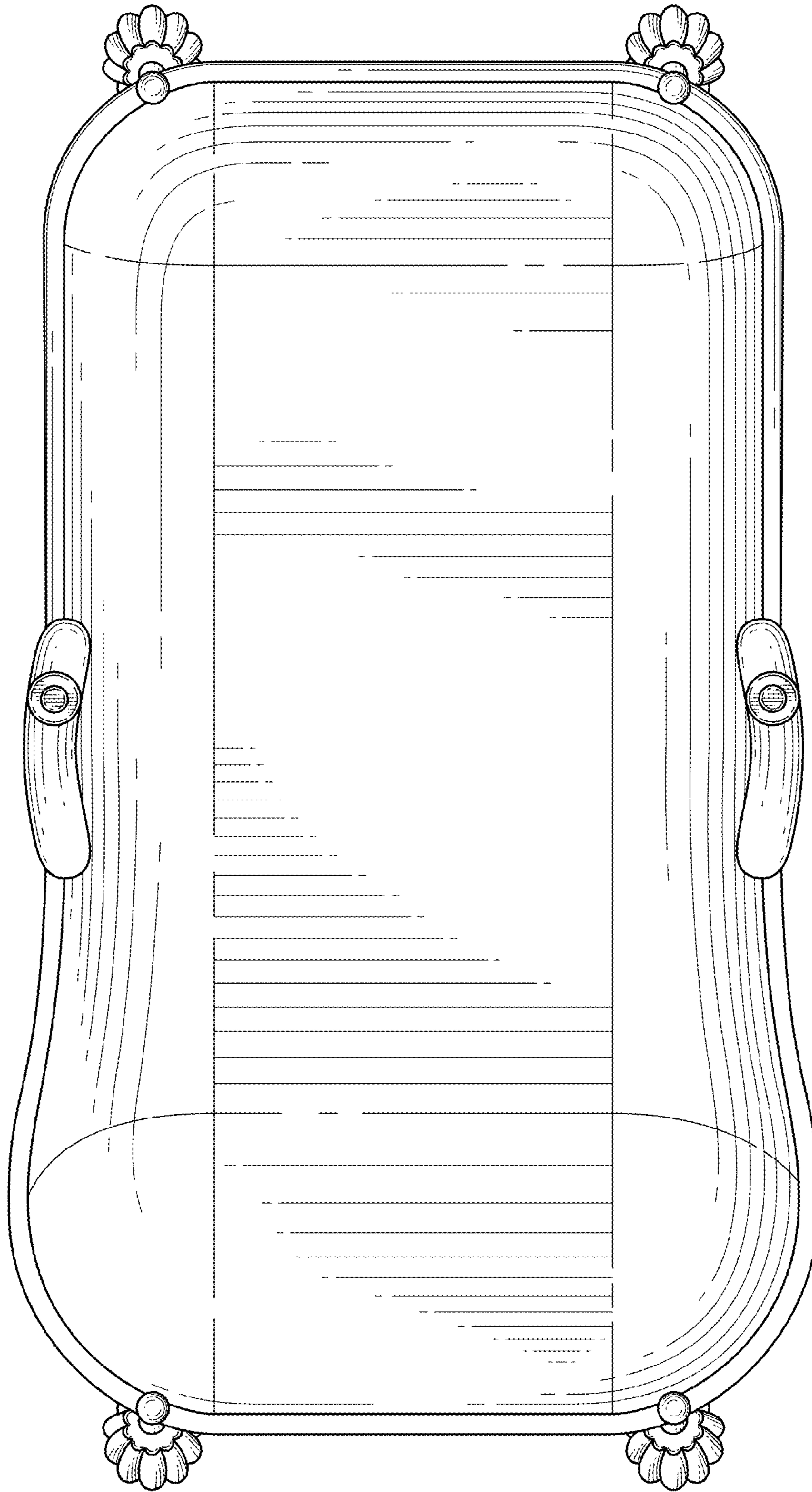


FIG. 5

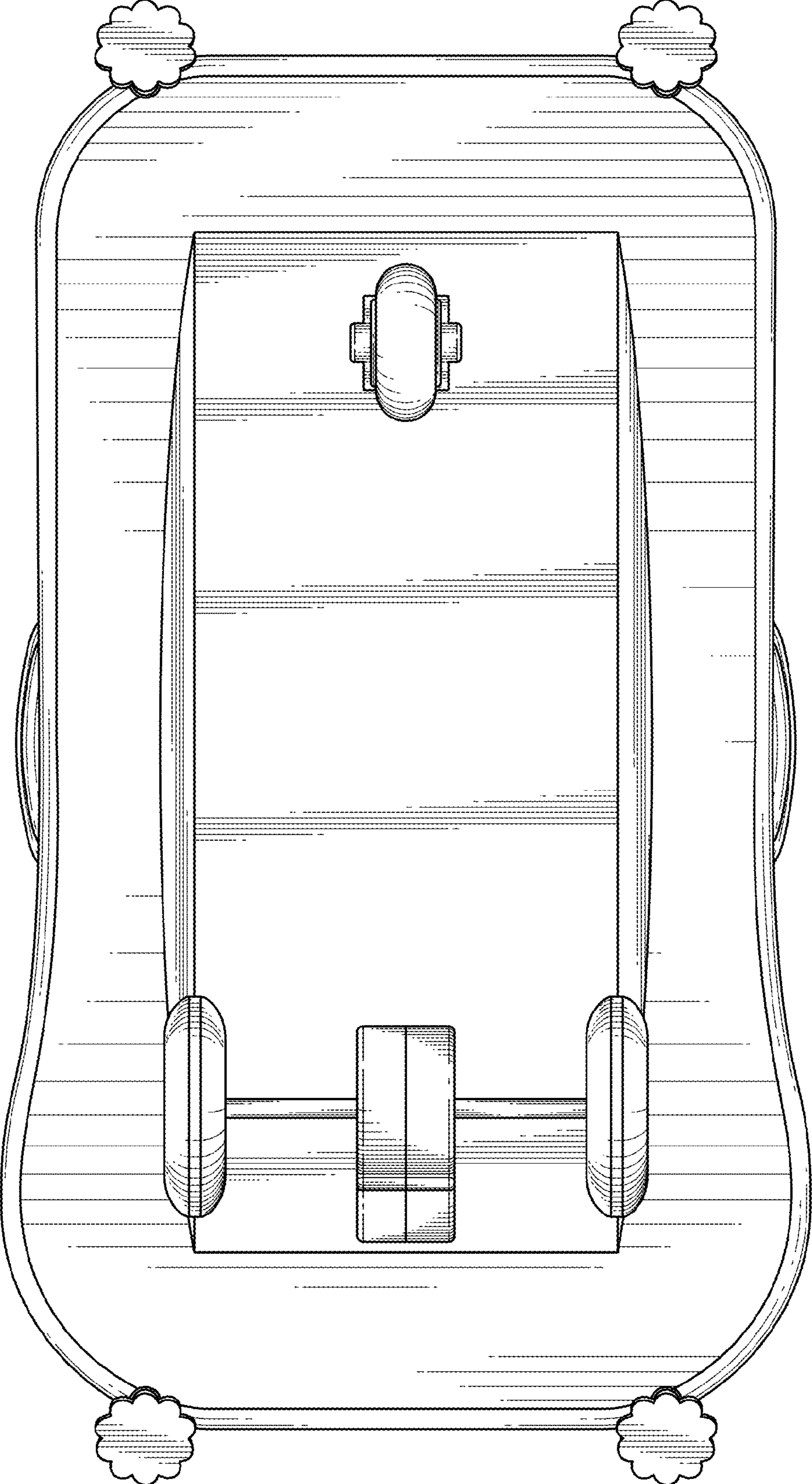


FIG. 6