

US00D764599S

(12) **United States Design Patent** (10) **Patent No.:** **US D764,599 S**
Tedham (45) **Date of Patent:** **** Aug. 23, 2016**

- (54) **CARD SHUFFLER DEVICE**
 (71) Applicant: **Bally Gaming, Inc.**, Las Vegas, NV
 (US)
 (72) Inventor: **Thomas A. Tedham**, Eden Prairie, MN
 (US)
 (73) Assignee: **Bally Gaming, Inc.**, Las Vegas, NV
 (US)
 (**) Term: **14 Years**
 (21) Appl. No.: **29/498,357**
 (22) Filed: **Aug. 1, 2014**
 (51) **LOC (10) Cl.** **21-01**
 (52) **U.S. Cl.**
 USPC **D21/392**
 (58) **Field of Classification Search**
 USPC D21/397, 392
 CPC A63F 1/12
 See application file for complete search history.

(56) **References Cited**

U.S. PATENT DOCUMENTS

130,281 A	8/1872	Coughlin
205,030 A	6/1878	Ash
609,730 A	8/1898	Booth
673,154 A	4/1901	Bellows
793,489 A	6/1905	Williams

(Continued)

FOREIGN PATENT DOCUMENTS

AU	5025479 A	3/1980
AU	757636 B2	2/2003

(Continued)

OTHER PUBLICATIONS

“Ace, Single Deck Shuffler,” Shuffle Master, Inc., (2005), 2 pages.

(Continued)

Primary Examiner — George D Kirschbaum
(74) *Attorney, Agent, or Firm* — TraskBritt

(57) **CLAIM**
The ornamental design for a card shuffler device, as shown and described.

DESCRIPTION

The subject matter of this application is related to the subject matter of U.S. patent application Ser. No. 14/450,008, filed Aug. 1, 2014, in the name of Stasson et al., and titled “Hand-Forming Card Shuffling Apparatuses Including Multi-Card Storage Compartments, and Related Methods,” the entire disclosure of which is hereby incorporated herein by this reference.

FIG. 1 is a front, right side, and top isometric view of an embodiment of a card shuffler device.

FIG. 2 is a rear, left side, and top isometric view of the card shuffler device shown in FIG. 1.

FIG. 3 is a left side elevation view of the card shuffler device shown in FIG. 1.

FIG. 4 is a front elevation view of the card shuffler device shown in FIG. 1.

FIG. 5 is a right side elevation view of the card shuffler device shown in FIG. 1.

FIG. 6 is a rear elevation view of the card shuffler device shown in FIG. 1.

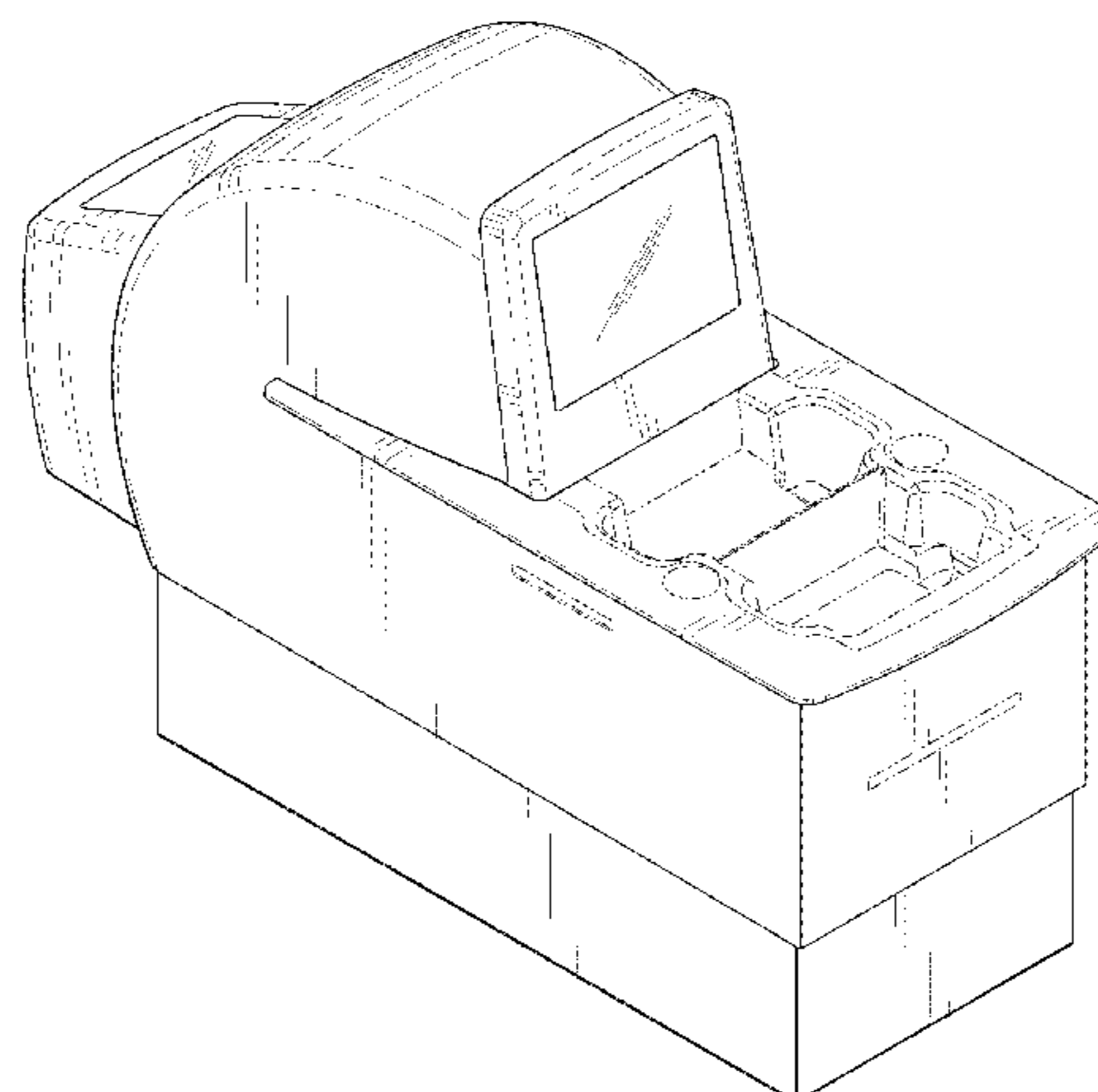
FIG. 7 is a top plan view of the card shuffler device shown in FIG. 1.

FIG. 8 is a bottom plan view of the card shuffler device shown in FIG. 1; and,

FIG. 9 is a top plan view of the card shuffler device of FIG. 1.

The broken line showing of parts of the card shuffler device and a table to which it is mounted is included for the purpose of illustrating portions of the “article” or the environment in which the “article” may be used and forms no part of the claimed design.

1 Claim, 9 Drawing Sheets



(56)

References Cited

U.S. PATENT DOCUMENTS

892,389 A	7/1908	Bellows	3,666,270 A	5/1972	Mazur
1,014,219 A	1/1912	Hall	3,680,853 A	8/1972	Houghton
1,043,109 A	11/1912	Hurm	3,690,670 A	9/1972	Cassady et al.
1,157,898 A	10/1915	Perret	3,704,938 A	12/1972	Fanselow
1,556,856 A	10/1925	Lipps	3,716,238 A	2/1973	Porter
1,850,114 A	3/1932	McCaddin	3,751,041 A	8/1973	Seifert
1,885,276 A	11/1932	McKay	3,761,079 A	9/1973	Azure
1,955,926 A	4/1934	Matthaey	3,810,627 A	5/1974	Levy
1,992,085 A	2/1935	McKay	D232,953 S *	9/1974	Oguchi D21/396
1,998,690 A	4/1935	Shepherd et al.	3,861,261 A	1/1975	Maxey
2,001,220 A	5/1935	Smith	3,897,954 A	8/1975	Erickson et al.
2,001,918 A	5/1935	Nevius	3,909,002 A	9/1975	Levy
2,016,030 A	10/1935	Rose	3,929,339 A	12/1975	Mattioli
2,043,343 A	6/1936	Warner	3,944,077 A	3/1976	Green
2,060,096 A	11/1936	McCoy	3,944,230 A	3/1976	Fineman
2,065,824 A	12/1936	Plass	3,949,219 A	4/1976	Crouse
2,159,958 A	5/1939	Sachs	3,968,364 A	7/1976	Miller
2,185,474 A	1/1940	Nott	4,023,705 A	5/1977	Reiner et al.
2,254,484 A	9/1941	Hutchins	4,033,590 A	7/1977	Pic
D132,360 S *	5/1942	Gardner 273/148 A	4,072,930 A	2/1978	Lucero et al.
2,328,153 A	8/1943	Laing	4,088,265 A	5/1978	Garczynski et al.
2,328,879 A	9/1943	Isaacson	4,151,410 A	4/1979	McMillan et al.
D139,530 S *	11/1944	Schindler 273/148 A	4,159,581 A	7/1979	Lichtenberg
2,364,413 A	12/1944	Wittel	4,162,649 A	7/1979	Thornton
2,525,305 A	10/1950	Lombard	4,166,615 A	9/1979	Noguchi et al.
2,543,522 A	2/1951	Cohen	4,232,861 A	11/1980	Maul
2,588,582 A	3/1952	Sivertson	4,280,690 A	7/1981	Hill
2,659,607 A *	11/1953	Skillman A63F 1/12 221/116	4,283,709 A	8/1981	Lucero et al.
2,661,215 A	12/1953	Stevens	4,310,160 A	1/1982	Willette
2,676,020 A	4/1954	Ogden	4,339,134 A	7/1982	Macheel
2,692,777 A	10/1954	Miller	4,339,798 A	7/1982	Hedges et al.
2,701,720 A	2/1955	Ogden	4,361,393 A	11/1982	Noto
2,705,638 A	4/1955	Newcomb	4,368,972 A	1/1983	Naramore
2,711,319 A	6/1955	Morgan et al.	4,369,972 A	1/1983	Parker
2,714,510 A	8/1955	Oppenlander et al.	4,374,309 A	2/1983	Walton
2,717,782 A *	9/1955	Droll A63F 1/12 221/277	4,377,285 A	3/1983	Kadlic
2,727,747 A	12/1955	Semisich, Jr.	4,385,827 A	5/1983	Naramore
2,731,271 A	1/1956	Brown	4,388,994 A	6/1983	Suda et al.
2,747,877 A	5/1956	Howard	D269,628 S	7/1983	Willette et al.
2,755,090 A	7/1956	Aldrich	4,397,469 A	8/1983	Carter
2,757,005 A	7/1956	Nothafft	4,421,312 A	12/1983	Delgado et al.
2,760,779 A	8/1956	Ogden et al.	4,421,501 A	12/1983	Scheffer
2,770,459 A	11/1956	Wilson et al.	D273,962 S *	5/1984	Fromm D19/91
2,778,643 A	1/1957	Williams	D274,069 S *	5/1984	Fromm D19/91
2,778,644 A	1/1957	Stephenson	4,467,424 A	8/1984	Hedges et al.
2,782,040 A	2/1957	Matter	4,494,197 A	1/1985	Troy et al.
2,790,641 A	4/1957	Adams	4,497,488 A	2/1985	Plevyak et al.
2,793,863 A	5/1957	Liebelt	4,512,580 A	4/1985	Matviak
2,815,214 A	12/1957	Hall	4,513,969 A	4/1985	Samsel
2,821,399 A	1/1958	Heinoo	4,515,367 A	5/1985	Howard
2,914,215 A	11/1959	Neidig	4,531,187 A	7/1985	Uhland
2,937,739 A	5/1960	Levy	4,534,562 A	8/1985	Cuff et al.
2,950,005 A	8/1960	MacDonald	4,549,738 A	10/1985	Greitzer
RE24,986 E	5/1961	Stephenson	4,566,782 A	1/1986	Britt et al.
3,067,885 A	12/1962	Kohler	4,575,367 A	3/1986	Karmel
3,107,096 A	10/1963	Osborn	4,586,712 A	5/1986	Lorber et al.
3,124,674 A	3/1964	Edwards et al.	4,659,082 A	4/1987	Greenberg
3,131,935 A	5/1964	Gronneberg	4,662,637 A	5/1987	Pfeiffer
3,147,978 A	9/1964	Sjostrand	4,662,816 A	5/1987	Fabrig
D200,652 S *	3/1965	Fisk 273/149 R	4,667,959 A	5/1987	Pfeiffer et al.
3,222,071 A	12/1965	Lang	4,741,524 A	5/1988	Bromage
3,235,741 A	2/1966	Plaisance	4,750,743 A	6/1988	Nicoletti
3,288,308 A	11/1966	Gingher	4,755,941 A	7/1988	Bacchi
3,305,237 A	2/1967	Granius	4,759,448 A	7/1988	Kawabata
3,312,473 A	4/1967	Friedman et al.	4,770,412 A	9/1988	Wolfe
3,452,509 A	7/1969	Hauer	4,770,421 A	9/1988	Hoffman
3,530,968 A	9/1970	Palmer	4,807,884 A	2/1989	Breeding
3,588,116 A	6/1971	Miura	4,822,050 A	4/1989	Normand et al.
3,589,730 A	6/1971	Slay	4,832,342 A	5/1989	Plevyak
3,595,388 A	7/1971	Castaldi	4,858,000 A	8/1989	Lu
3,597,076 A	8/1971	Hubbard	4,861,041 A	8/1989	Jones et al.
3,618,933 A	11/1971	Roggenstein	4,876,000 A	10/1989	Mikhail
3,627,331 A	12/1971	Erickson	4,900,009 A	2/1990	Kitahara et al.
			4,904,830 A	2/1990	Rizzuto
			4,921,109 A	5/1990	Hasuo et al.
			4,926,327 A	5/1990	Sidley
			4,948,134 A	8/1990	Suttle et al.
			4,951,950 A	8/1990	Normand et al.
			4,969,648 A	11/1990	Hollinger et al.

(56)

References Cited

U.S. PATENT DOCUMENTS

4,993,587 A	2/1991	Abe	5,718,427 A	2/1998	Cranford et al.
4,995,615 A	2/1991	Cheng et al.	5,719,288 A	2/1998	Sens et al.
5,000,453 A	3/1991	Stevens et al.	5,720,484 A	2/1998	Hsu et al.
5,039,102 A	8/1991	Miller et al.	5,722,893 A	3/1998	Hill et al.
5,067,713 A	11/1991	Soules et al.	5,735,525 A	4/1998	McCrea et al.
5,078,405 A	1/1992	Jones et al.	5,735,724 A	4/1998	Udagawa
5,081,487 A	1/1992	Hoyer et al.	5,735,742 A	4/1998	French et al.
5,096,197 A	3/1992	Embury	5,743,798 A	4/1998	Adams et al.
5,102,293 A	4/1992	Schneider	5,768,382 A	6/1998	Schneier et al.
5,118,114 A	6/1992	Tucci et al.	5,770,533 A	6/1998	Franchi
5,121,192 A	6/1992	Kazui	5,770,553 A	6/1998	Kroner et al.
5,121,921 A	6/1992	Friedman	5,772,505 A	6/1998	Garczynski et al.
5,154,429 A	10/1992	Levasseur et al.	5,779,546 A	7/1998	Meissner et al.
5,179,517 A	1/1993	Sarbin et al.	5,781,647 A	7/1998	Fishbine et al.
5,197,094 A	3/1993	Tillery et al.	5,785,321 A	7/1998	van Putten et al.
5,199,710 A	4/1993	Lamle	5,788,574 A	8/1998	Ornstein et al.
5,209,476 A	5/1993	Eiba et al.	5,791,988 A	8/1998	Nomi
5,224,712 A	7/1993	Laughlin et al.	5,802,560 A	9/1998	Joseph et al.
5,240,140 A	8/1993	Huen	5,803,808 A	9/1998	Strisower
5,248,142 A	9/1993	Breeding et al.	5,810,355 A	9/1998	Trilli
5,257,179 A	10/1993	Demar et al.	5,813,326 A	9/1998	Salomon et al.
5,259,907 A	11/1993	Soules et al.	5,813,912 A	9/1998	Shultz et al.
5,261,667 A	11/1993	Breeding	5,814,796 A	9/1998	Benson et al.
5,267,248 A	11/1993	Reyner	5,836,775 A	11/1998	Hiyama et al.
5,275,411 A	1/1994	Breeding	5,839,730 A	11/1998	Pike
5,276,312 A	1/1994	McCarthy	5,845,906 A	12/1998	Wirth et al.
5,283,422 A	2/1994	Storch et al.	5,851,011 A	12/1998	Lott et al.
5,288,081 A	2/1994	Breeding et al.	5,867,586 A	2/1999	Liang
5,299,089 A	3/1994	Lwee	5,879,233 A	3/1999	Stupero
5,303,921 A	4/1994	Breeding	5,883,804 A	3/1999	Christensen
5,344,146 A	9/1994	Lee	5,890,717 A	4/1999	Rosewarne et al.
5,356,145 A	10/1994	Verschoor	5,892,210 A	4/1999	Levasseur
5,362,053 A	11/1994	Miller et al.	5,911,626 A	6/1999	McCrea et al.
5,374,061 A	12/1994	Albrecht et al.	5,919,090 A	7/1999	Mothwurf
5,377,973 A	1/1995	Jones et al.	D412,723 S *	8/1999	Hachuel D21/379
5,382,024 A	1/1995	Blaha	5,936,222 A	8/1999	Korsunsky et al.
5,382,025 A	1/1995	Sklansky et al.	5,941,769 A	8/1999	Order
5,390,910 A	2/1995	Mandel et al.	5,944,310 A	8/1999	Johnson et al.
5,397,128 A	3/1995	Hesse et al.	D414,527 S	9/1999	Tedham
5,397,133 A	3/1995	Penzias et al.	5,957,776 A	9/1999	Hoehne et al.
5,416,308 A	5/1995	Hood et al.	5,974,150 A	10/1999	Kaish et al.
5,431,399 A	7/1995	Kelley	5,985,305 A	11/1999	Peery et al.
5,431,407 A	7/1995	Hofberg et al.	5,989,122 A	11/1999	Roblejo et al.
5,437,462 A	8/1995	Breeding et al.	5,991,308 A	11/1999	Fuhrmann et al.
5,445,377 A	8/1995	Steinbach	6,015,311 A	1/2000	Benjamin et al.
5,470,079 A	11/1995	LeStrange et al.	6,019,368 A	2/2000	Sines et al.
D365,853 S	1/1996	Zadro	6,019,374 A	2/2000	Breeding et al.
5,489,101 A	2/1996	Moody et al.	6,039,650 A	3/2000	Hill et al.
5,515,477 A	5/1996	Sutherland	6,050,569 A	4/2000	Taylor
5,524,888 A	6/1996	Heidel	6,053,695 A	4/2000	Longoria et al.
5,531,448 A	7/1996	Moody et al.	6,061,449 A	5/2000	Candelore et al.
5,544,892 A	8/1996	Breeding et al.	6,068,258 A	5/2000	Breeding et al.
5,575,475 A	11/1996	Steinbach	6,069,564 A	5/2000	Hatano et al.
5,584,483 A	12/1996	Sines et al.	6,071,190 A	6/2000	Weiss et al.
5,586,766 A	12/1996	Forté et al.	6,093,103 A	7/2000	McCrea et al.
5,586,936 A	12/1996	Bennett et al.	6,113,101 A	9/2000	Wirth et al.
5,605,334 A	2/1997	McCrea et al.	6,117,012 A	9/2000	McCrea et al.
5,613,912 A	3/1997	Slater et al.	D432,588 S	10/2000	Tedham
5,632,483 A	5/1997	Garczynski et al.	D432,589 S	10/2000	Hill
5,636,843 A	6/1997	Roberts et al.	6,126,166 A	10/2000	Lorson et al.
5,651,548 A	7/1997	French et al.	6,127,447 A	10/2000	Mitry et al.
5,655,961 A	8/1997	Acres et al.	6,131,817 A	10/2000	Miller
5,669,816 A	9/1997	Garczynski et al.	6,139,014 A	10/2000	Breeding et al.
5,676,231 A	10/1997	Legras et al.	6,149,154 A	11/2000	Grauzer et al.
5,676,372 A	10/1997	Sines et al.	6,154,131 A	11/2000	Jones et al.
5,681,039 A	10/1997	Miller et al.	6,165,069 A	12/2000	Sines et al.
5,683,085 A	11/1997	Johnson et al.	6,165,072 A	12/2000	Davis et al.
5,685,543 A	11/1997	Garner et al.	6,183,362 B1	2/2001	Boushy
5,690,324 A	11/1997	Otomo et al.	6,186,895 B1	2/2001	Oliver
5,692,748 A	12/1997	Frisco et al.	6,200,218 B1	3/2001	Lindsay
5,695,189 A	12/1997	Breeding et al.	6,210,274 B1	4/2001	Carlson
5,701,565 A	12/1997	Morgan	6,213,310 B1	4/2001	Wennersten et al.
5,707,286 A	1/1998	Carlson	6,217,447 B1	4/2001	Lofink et al.
5,707,287 A	1/1998	McCrea et al.	6,234,900 B1	5/2001	Cumbers
5,711,525 A	1/1998	Breeding et al.	6,236,223 B1	5/2001	Brady et al.
			D443,656 S	6/2001	Ng
			6,250,632 B1	6/2001	Albrecht
			6,254,002 B1	7/2001	Litman
			6,254,096 B1	7/2001	Grauzer et al.

(56)

References Cited

U.S. PATENT DOCUMENTS

6,254,484	B1	7/2001	McCrea, Jr.	6,659,461	B2	12/2003	Yoseloff et al.
6,257,981	B1	7/2001	Acres et al.	6,659,875	B2	12/2003	Purton
6,267,248	B1	7/2001	Johnson et al.	6,663,490	B2	12/2003	Soltys et al.
6,267,648	B1	7/2001	Katayama et al.	6,666,768	B1	12/2003	Akers
6,267,671	B1	7/2001	Hogan	6,671,358	B1	12/2003	Seidman et al.
6,270,404	B2	8/2001	Sines et al.	D485,314	S	1/2004	Collins
6,272,223	B1	8/2001	Carlson	6,676,127	B2	1/2004	Johnson et al.
6,293,546	B1	9/2001	Hessing et al.	6,676,517	B2	1/2004	Beavers
6,293,864	B1	9/2001	Romero	6,680,843	B2	1/2004	Farrow et al.
6,299,167	B1	10/2001	Sines et al.	6,685,564	B2	2/2004	Oliver
6,299,534	B1	10/2001	Breeding et al.	6,685,567	B2	2/2004	Cockerille et al.
6,299,536	B1	10/2001	Hill	6,685,568	B2	2/2004	Soltys et al.
6,308,886	B1	10/2001	Benson et al.	6,688,597	B2	2/2004	Jones
6,313,871	B1	11/2001	Schubert	6,688,979	B2	2/2004	Soltys et al.
6,325,373	B1	12/2001	Breeding et al.	6,690,673	B1	2/2004	Jarvis
6,334,614	B1	1/2002	Breeding	6,698,756	B1	3/2004	Baker et al.
6,341,778	B1	1/2002	Lee	6,698,759	B2	3/2004	Webb et al.
6,342,830	B1	1/2002	Want et al.	6,702,289	B1	3/2004	Feola
6,346,044	B1	2/2002	McCrea, Jr.	6,702,290	B2	3/2004	Buono-Correa et al.
6,361,044	B1	3/2002	Block et al.	6,709,333	B1	3/2004	Bradford et al.
6,386,973	B1	5/2002	Yoseloff	6,712,696	B2	3/2004	Soltys et al.
6,402,142	B1	6/2002	Warren et al.	D488,193	S	4/2004	Girard
6,403,908	B2	6/2002	Stardust et al.	6,719,288	B2	4/2004	Hessing et al.
6,443,839	B2	9/2002	Stockdale	6,719,634	B2	4/2004	Mishina et al.
6,446,864	B1	9/2002	Kim et al.	6,722,974	B2	4/2004	Sines et al.
6,454,266	B1	9/2002	Breeding et al.	6,726,205	B1	4/2004	Purton
6,460,848	B1	10/2002	Soltys et al.	D490,481	S	5/2004	Hessing
6,464,584	B2	10/2002	Oliver	6,732,067	B1	5/2004	Powderly
6,490,277	B1	12/2002	Tzotzkov	6,733,012	B2	5/2004	Bui et al.
6,508,709	B1	1/2003	Karmarkar	6,733,388	B2	5/2004	Mothwurf
6,514,140	B1	2/2003	Storch	6,746,333	B1	6/2004	Onda et al.
6,517,435	B2	2/2003	Soltys et al.	6,747,560	B2	6/2004	Stevens, III
6,517,436	B2	2/2003	Soltys et al.	6,749,510	B2	6/2004	Giobbi
6,520,857	B2	2/2003	Soltys et al.	6,758,751	B2	7/2004	Soltys et al.
6,527,271	B2	3/2003	Soltys et al.	6,758,757	B2	7/2004	Luciano, Jr. et al.
6,530,836	B2	3/2003	Soltys et al.	6,769,693	B2	8/2004	Huard et al.
6,530,837	B2	3/2003	Soltys et al.	6,774,782	B2	8/2004	Runyon et al.
6,532,297	B1	3/2003	Lindquist	6,789,801	B2	9/2004	Snow
6,533,276	B2	3/2003	Soltys et al.	6,802,510	B1	10/2004	Haber
6,533,662	B2	3/2003	Soltys et al.	6,804,763	B1	10/2004	Stockdale et al.
6,561,897	B1	5/2003	Bourbour et al.	6,808,173	B2	10/2004	Snow
6,568,678	B2	5/2003	Breeding et al.	6,827,282	B2	12/2004	Silverbrook
6,579,180	B2	6/2003	Soltys et al.	6,834,251	B1	12/2004	Fletcher
6,579,181	B2	6/2003	Soltys et al.	6,840,517	B2	1/2005	Snow
6,581,747	B1	6/2003	Charlier et al.	6,842,263	B1	1/2005	Saeki
6,582,301	B2	6/2003	Hill	6,843,725	B2	1/2005	Nelson
6,582,302	B2	6/2003	Romero	6,848,616	B2	2/2005	Tsirlina et al.
6,585,586	B1	7/2003	Romero	6,848,844	B2	2/2005	McCue, Jr. et al.
6,585,588	B2	7/2003	Hartl	6,848,994	B1	2/2005	Knust et al.
6,585,856	B2	7/2003	Zwick et al.	6,857,961	B2	2/2005	Soltys et al.
6,588,750	B1	7/2003	Grauzer et al.	6,874,784	B1	4/2005	Promutico
6,588,751	B1	7/2003	Grauzer et al.	6,874,786	B2	4/2005	Bruno
6,595,857	B2	7/2003	Soltys et al.	6,877,657	B2	4/2005	Ranard et al.
6,609,710	B1	8/2003	Order	6,877,748	B1	4/2005	Patroni
6,612,928	B1	9/2003	Bradford et al.	6,886,829	B2	5/2005	Hessing et al.
6,616,535	B1	9/2003	Nishizaki et al.	6,889,979	B2	5/2005	Blaha et al.
6,619,662	B2	9/2003	Miller	6,893,347	B1	5/2005	Zilliaccus et al.
6,622,185	B1	9/2003	Johnson	6,899,628	B2	5/2005	Leen et al.
6,626,757	B2	9/2003	Oliveras	D506,395	S	6/2005	Coles et al.
6,629,019	B2	9/2003	Legge et al.	6,902,167	B2	6/2005	Webb
6,629,591	B1	10/2003	Griswold et al.	6,905,121	B1	6/2005	Timpano
6,629,889	B2	10/2003	Mothwurf	6,923,446	B2	8/2005	Snow
6,629,894	B1	10/2003	Purton	6,938,900	B2	9/2005	Snow
6,637,622	B1	10/2003	Robinson	6,941,180	B1	9/2005	Fischer et al.
6,638,161	B2	10/2003	Soltys et al.	6,950,948	B2	9/2005	Neff
6,645,068	B1	11/2003	Kelly et al.	6,955,599	B2	10/2005	Bourbour et al.
6,645,077	B2	11/2003	Rowe	6,957,746	B2	10/2005	Martin et al.
6,651,981	B2	11/2003	Grauzer et al.	6,959,925	B1	11/2005	Baker et al.
6,651,982	B2	11/2003	Grauzer et al.	6,959,935	B2	11/2005	Buhl et al.
6,651,985	B2	11/2003	Sines et al.	6,960,134	B2	11/2005	Hartl et al.
6,652,379	B2	11/2003	Soltys et al.	6,964,612	B2	11/2005	Soltys et al.
6,655,684	B2	12/2003	Grauzer et al.	6,986,514	B2	1/2006	Snow
6,655,690	B1	12/2003	Oskwarek	6,988,516	B2	1/2006	Debaes et al.
6,658,135	B1	12/2003	Morito et al.	7,011,309	B2	3/2006	Soltys et al.
6,659,460	B2	12/2003	Blaha et al.	7,020,307	B2	3/2006	Hinton et al.
				7,028,598	B2	4/2006	Teshima
				7,029,009	B2	4/2006	Grauzer et al.
				7,036,818	B2	5/2006	Grauzer et al.
				7,046,458	B2	5/2006	Nakayama

(56)

References Cited

U.S. PATENT DOCUMENTS

7,046,764 B1	5/2006	Kump	7,448,626 B2	11/2008	Fleckenstein	
7,048,629 B2	5/2006	Sines et al.	7,458,582 B2	12/2008	Snow et al.	
7,059,602 B2	6/2006	Grauzer et al.	7,461,843 B1	12/2008	Baker et al.	
7,066,464 B2	6/2006	Blad et al.	7,464,932 B2	12/2008	Darling	
7,068,822 B2	6/2006	Scott	7,464,934 B2	12/2008	Schwartz	
7,073,791 B2	7/2006	Grauzer et al.	7,472,906 B2	1/2009	Shai	
D526,121 S *	8/2006	Nip D21/392	7,478,813 B1 *	1/2009	Hofferber	A63F 1/10 273/148 A
7,084,769 B2	8/2006	Bauer et al.	7,500,672 B2	3/2009	Ho	
7,089,420 B1	8/2006	Durst et al.	7,506,874 B2	3/2009	Hall	
D527,900 S *	9/2006	Dewa D21/392	7,510,186 B2	3/2009	Fleckenstein	
7,106,201 B2	9/2006	Tuttle	7,510,190 B2	3/2009	Snow et al.	
7,113,094 B2	9/2006	Garber et al.	7,510,194 B2	3/2009	Soltys et al.	
7,114,718 B2	10/2006	Grauzer et al.	7,510,478 B2	3/2009	Benbrahim et al.	
7,124,947 B2	10/2006	Storch	7,513,437 B2	4/2009	Douglas	
7,128,652 B1	10/2006	Lavoie et al.	7,515,718 B2	4/2009	Nguyen et al.	
7,137,627 B2	11/2006	Grauzer et al.	7,523,935 B2	4/2009	Grauzer et al.	
7,139,108 B2	11/2006	Andersen et al.	7,523,936 B2	4/2009	Grauzer et al.	
7,140,614 B2	11/2006	Snow	7,523,937 B2	4/2009	Fleckenstein	
7,162,035 B1	1/2007	Durst et al.	7,525,510 B2	4/2009	Beland et al.	
7,165,769 B2	1/2007	Crenshaw et al.	7,537,216 B2	5/2009	Soltys et al.	
7,165,770 B2	1/2007	Snow	7,540,497 B2	6/2009	Tseng	
7,175,522 B2	2/2007	Hartl	7,540,498 B2	6/2009	Crenshaw et al.	
7,186,181 B2	3/2007	Rowe	7,549,643 B2	6/2009	Quach	
7,201,656 B2	4/2007	Darder	7,554,753 B2	6/2009	Wakamiya	
7,202,888 B2	4/2007	Tecu et al.	7,556,197 B2	7/2009	Yoshida et al.	
7,203,841 B2	4/2007	Jackson et al.	7,556,266 B2	7/2009	Blaha et al.	
7,213,812 B2	5/2007	Schubert et al.	7,575,237 B2	8/2009	Snow	
7,222,852 B2	5/2007	Soltys et al.	7,578,506 B2	8/2009	Lambert	
7,222,855 B2	5/2007	Sorge	7,584,962 B2	9/2009	Breeding et al.	
7,231,812 B1	6/2007	Lagare	7,584,963 B2	9/2009	Krenn et al.	
7,234,698 B2	6/2007	Grauzer et al.	7,584,966 B2	9/2009	Snow	
7,237,969 B2	7/2007	Bartman	7,591,728 B2	9/2009	Gioia et al.	
7,243,148 B2	7/2007	Keir et al.	7,593,544 B2	9/2009	Downs, III et al.	
7,243,698 B2	7/2007	Siegel	7,594,660 B2	9/2009	Baker et al.	
7,246,799 B2	7/2007	Snow	7,597,623 B2	10/2009	Grauzer et al.	
7,255,344 B2	8/2007	Grauzer et al.	D605,709 S	12/2009	Dean	
7,255,351 B2	8/2007	Yoseloff et al.	7,644,923 B1	1/2010	Dickinson et al.	
7,255,642 B2	8/2007	Sines et al.	7,661,676 B2	2/2010	Smith et al.	
7,257,630 B2	8/2007	Cole et al.	7,666,090 B2	2/2010	Hettinger	
7,261,294 B2	8/2007	Grauzer et al.	7,669,852 B2	3/2010	Baker et al.	
7,264,241 B2	9/2007	Schubert et al.	7,669,853 B2	3/2010	Jones	
7,264,243 B2	9/2007	Yoseloff et al.	7,677,565 B2	3/2010	Grauzer et al.	
7,277,570 B2	10/2007	Armstrong	7,677,566 B2	3/2010	Krenn et al.	
7,278,923 B2	10/2007	Grauzer et al.	7,686,681 B2	3/2010	Soltys et al.	
7,294,056 B2	11/2007	Lowell et al.	7,699,694 B2	4/2010	Hill	
7,297,062 B2	11/2007	Gatto et al.	D615,600 S	5/2010	Scheper et al.	
7,300,056 B2	11/2007	Gioia et al.	7,735,657 B2	6/2010	Johnson	
7,303,473 B2	12/2007	Rowe	7,740,244 B2 *	6/2010	Ho	A63F 1/12 273/148 A
7,309,065 B2	12/2007	Yoseloff et al.	7,744,452 B2	6/2010	Cimring et al.	
7,316,609 B2	1/2008	Dunn et al.	7,753,373 B2	7/2010	Grauzer et al.	
7,316,615 B2	1/2008	Soltys et al.	7,753,374 B2	7/2010	Ho	
7,322,576 B2	1/2008	Grauzer et al.	7,753,798 B2	7/2010	Soltys et al.	
7,331,579 B2	2/2008	Snow	7,762,554 B2	7/2010	Ho	
7,334,794 B2	2/2008	Snow	7,764,836 B2	7/2010	Downs, III et al.	
7,338,044 B2	3/2008	Grauzer et al.	7,766,332 B2	8/2010	Grauzer et al.	
7,338,362 B1	3/2008	Gallagher	7,766,333 B1	8/2010	Stardust et al.	
7,341,510 B2	3/2008	Bourbour et al.	7,769,232 B2	8/2010	Downs, III	
D566,784 S *	4/2008	Palmer D21/392	7,769,853 B2	8/2010	Nezamzadeh	
7,357,321 B2	4/2008	Yoshida et al.	7,773,749 B1	8/2010	Durst et al.	
7,360,094 B2	4/2008	Neff	7,780,529 B2	8/2010	Rowe et al.	
7,367,561 B2	5/2008	Blaha et al.	7,784,790 B2	8/2010	Grauzer et al.	
7,367,563 B2	5/2008	Yoseloff et al.	7,804,982 B2	9/2010	Howard et al.	
7,367,884 B2	5/2008	Breeding et al.	7,846,020 B2	12/2010	Walker et al.	
7,374,170 B2	5/2008	Grauzer et al.	7,867,080 B2	1/2011	Nicely et al.	
7,384,044 B2	6/2008	Grauzer et al.	7,890,365 B2	2/2011	Hettinger	
7,387,300 B2	6/2008	Snow	7,900,923 B2	3/2011	Toyama et al.	
7,389,990 B2	6/2008	Mourad	7,901,285 B2	3/2011	Tran et al.	
7,390,256 B2	6/2008	Soltys et al.	7,908,169 B2	3/2011	Hettinger	
7,399,226 B2	7/2008	Mishra	7,909,689 B2	3/2011	Lardie	
7,407,438 B2	8/2008	Schubert et al.	7,931,533 B2	4/2011	LeMay et al.	
7,413,191 B2	8/2008	Grauzer et al.	7,933,448 B2	4/2011	Downs, III	
D578,577 S	10/2008	Toyama	7,946,586 B2	5/2011	Krenn et al.	
7,434,805 B2	10/2008	Grauzer et al.	7,967,294 B2	6/2011	Blaha et al.	
7,436,957 B1	10/2008	Fischer et al.	7,976,023 B1	7/2011	Hessing et al.	
D580,993 S	11/2008	Mailing et al.	7,988,152 B2	8/2011	Sines	
			7,988,554 B2	8/2011	LeMay et al.	
			7,995,196 B1	8/2011	Fraser	

(56)

References Cited

U.S. PATENT DOCUMENTS

8,002,638 B2	8/2011	Grauzer et al.	2003/0003997 A1	1/2003	Vuong et al.
8,011,661 B2	9/2011	Stasson	2003/0007143 A1	1/2003	McArthur et al.
8,016,663 B2	9/2011	Soltys et al.	2003/0047870 A1	3/2003	Blaha et al.
8,021,231 B2	9/2011	Walker et al.	2003/0048476 A1	3/2003	Yamakawa
8,025,294 B2	9/2011	Grauzer et al.	2003/0052449 A1	3/2003	Grauzer et al.
D646,338 S	10/2011	Scheper et al.	2003/0052450 A1	3/2003	Grauzer et al.
8,038,521 B2	10/2011	Grauzer et al.	2003/0064798 A1	4/2003	Grauzer et al.
RE42,944 E	11/2011	Blaha et al.	2003/0067112 A1	4/2003	Grauzer et al.
8,057,302 B2	11/2011	Wells et al.	2003/0071413 A1	4/2003	Blaha et al.
8,062,134 B2	11/2011	Kelly et al.	2003/0073498 A1	4/2003	Grauzer et al.
8,070,574 B2	12/2011	Grauzer et al.	2003/0075865 A1	4/2003	Grauzer et al.
8,092,307 B2	1/2012	Kelly	2003/0075866 A1	4/2003	Blaha et al.
8,092,309 B2	1/2012	Bickley	2003/0087694 A1	5/2003	Storch
8,141,875 B2	3/2012	Grauzer et al.	2003/0090059 A1	5/2003	Grauzer et al.
8,150,158 B2	4/2012	Downs, III	2003/0094756 A1	5/2003	Grauzer et al.
8,171,567 B1	5/2012	Fraser et al.	2003/0151194 A1	8/2003	Hessing et al.
8,210,536 B2	7/2012	Blaha et al.	2003/0195025 A1	10/2003	Hill
8,221,244 B2	7/2012	French	2004/0015423 A1	1/2004	Walker et al.
8,251,293 B2	8/2012	Nagata et al.	2004/0036214 A1	2/2004	Baker et al.
8,267,404 B2	9/2012	Grauzer et al.	2004/0067789 A1	4/2004	Grauzer et al.
8,270,603 B1	9/2012	Durst et al.	2004/0100026 A1	5/2004	Haggard
8,287,347 B2	10/2012	Snow et al.	2004/0108654 A1	6/2004	Grauzer et al.
8,287,386 B2	10/2012	Miller et al.	2004/0116179 A1	6/2004	Nicely et al.
8,319,666 B2	11/2012	Weinmann et al.	2004/0169332 A1	9/2004	Grauzer et al.
8,337,296 B2	12/2012	Grauzer et al.	2004/0180722 A1	9/2004	Giobbi
8,342,525 B2	1/2013	Scheper et al.	2004/0224777 A1	11/2004	Smith et al.
8,342,526 B1	1/2013	Sampson et al.	2004/0245720 A1	12/2004	Grauzer et al.
8,342,529 B2	1/2013	Snow	2004/0259618 A1	12/2004	Soltys et al.
8,353,513 B2	1/2013	Swanson	2005/0012671 A1	1/2005	Bisig
8,381,918 B2	2/2013	Johnson	2005/0023752 A1	2/2005	Grauzer et al.
8,419,521 B2	4/2013	Grauzer et al.	2005/0026680 A1	2/2005	Gururajan
8,444,147 B2	5/2013	Grauzer et al.	2005/0035548 A1	2/2005	Yoseloff et al.
8,469,360 B2	6/2013	Sines	2005/0037843 A1	2/2005	Wells et al.
8,480,088 B2	7/2013	Toyama et al.	2005/0040594 A1	2/2005	Krenn et al.
8,485,527 B2	7/2013	Sampson et al.	2005/0051955 A1	3/2005	Schubert et al.
8,490,973 B2	7/2013	Yoseloff et al.	2005/0051956 A1	3/2005	Grauzer et al.
8,498,444 B2	7/2013	Sharma	2005/0062227 A1	3/2005	Grauzer et al.
8,505,916 B2	8/2013	Grauzer et al.	2005/0062228 A1	3/2005	Grauzer et al.
8,511,684 B2	8/2013	Grauzer et al.	2005/0062229 A1	3/2005	Grauzer et al.
8,556,263 B2	10/2013	Grauzer et al.	2005/0082750 A1	4/2005	Grauzer et al.
8,579,289 B2	11/2013	Rynda et al.	2005/0093231 A1	5/2005	Grauzer et al.
D695,357 S	12/2013	Shigeta	2005/0104289 A1	5/2005	Grauzer et al.
8,616,552 B2	12/2013	Czyzewski et al.	2005/0104290 A1	5/2005	Grauzer et al.
8,628,086 B2	1/2014	Krenn et al.	2005/0110210 A1	5/2005	Soltys et al.
8,636,285 B2 *	1/2014	Grauzer 273/148 A	2005/0113166 A1	5/2005	Grauzer et al.
8,662,500 B2	3/2014	Swanson	2005/0113171 A1	5/2005	Hodgson
8,695,978 B1	4/2014	Ho	2005/0119048 A1	6/2005	Soltys et al.
8,702,100 B2	4/2014	Snow et al.	2005/0119048 A1	6/2005	Soltys et al.
8,702,101 B2	4/2014	Scheper et al.	2005/0137005 A1	6/2005	Soltys et al.
8,720,891 B2	5/2014	Hessing et al.	2005/0140090 A1	6/2005	Breeding et al.
8,758,111 B2	6/2014	Lutnick	2005/0146093 A1	7/2005	Grauzer et al.
8,777,710 B2	7/2014	Grauzer et al.	2005/0148391 A1	7/2005	Tain
D712,486 S	9/2014	Tseng	2005/0192092 A1	9/2005	Breckner et al.
8,820,745 B2	9/2014	Grauzer et al.	2005/0206077 A1	9/2005	Grauzer et al.
8,899,587 B2	12/2014	Grauzer et al.	2005/0242500 A1	11/2005	Downs
8,919,775 B2	12/2014	Wadds et al.	2005/0272501 A1	12/2005	Tran et al.
2001/0036231 A1	11/2001	Easwar et al.	2005/0288083 A1	12/2005	Downs
2001/0036866 A1	11/2001	Stockdale et al.	2005/0288086 A1	12/2005	Schubert et al.
2002/0017481 A1	2/2002	Johnson et al.	2006/0027970 A1	2/2006	Kyrychenko
2002/0030425 A1	3/2002	Tiramani et al.	2006/0033269 A1	2/2006	Grauzer et al.
2002/0045478 A1	4/2002	Soltys et al.	2006/0033270 A1	2/2006	Grauzer et al.
2002/0045481 A1	4/2002	Soltys et al.	2006/0046853 A1	3/2006	Black
2002/0063389 A1	5/2002	Breeding et al.	2006/0063577 A1	3/2006	Downs et al.
2002/0068635 A1	6/2002	Hill	2006/0066048 A1	3/2006	Krenn et al.
2002/0070499 A1	6/2002	Breeding et al.	2006/0181022 A1	8/2006	Grauzer et al.
2002/0094869 A1	7/2002	Harkham	2006/0183540 A1	8/2006	Grauzer et al.
2002/0107067 A1	8/2002	McGlone et al.	2006/0189381 A1	8/2006	Daniel et al.
2002/0107072 A1	8/2002	Giobbi	2006/0199649 A1	9/2006	Soltys et al.
2002/0113368 A1	8/2002	Hessing et al.	2006/0205508 A1	9/2006	Green
2002/0135692 A1	9/2002	Fujinawa	2006/0220312 A1	10/2006	Baker et al.
2002/0142820 A1	10/2002	Bartlett	2006/0220313 A1	10/2006	Baker et al.
2002/0155869 A1	10/2002	Soltys et al.	2006/0252521 A1	11/2006	Gururajan et al.
2002/0163125 A1	11/2002	Grauzer et al.	2006/0252554 A1	11/2006	Gururajan et al.
2002/0187821 A1	12/2002	Soltys et al.	2006/0279040 A1	12/2006	Downs et al.
2002/0187830 A1	12/2002	Stockdale et al.	2006/0281534 A1	12/2006	Grauzer et al.
			2007/0001395 A1	1/2007	Gioia et al.
			2007/0006708 A1	1/2007	Laakso
			2007/0015583 A1	1/2007	Tran
			2007/0018389 A1	1/2007	Downs
			2007/0045959 A1	3/2007	Soltys

(56)

References Cited

FOREIGN PATENT DOCUMENTS

DE	672616 C	3/1939
DE	2757341 A1	6/1978
DE	3807127 A1	9/1989
EP	777514 A1	2/2000
EP	1194888 A1	4/2002
EP	1502631 A1	2/2005
EP	1713026 A1	10/2006
EP	1575261 B1	8/2012
FR	2375918 A1	7/1978
GB	337147	10/1930
GB	414014 A	7/1934
JP	10063933 A	3/1998
JP	11045321 A	2/1999
JP	2000251031 A	9/2000
JP	2001327647 A	11/2001
JP	2002165916 A	6/2002
JP	2003250950 A	9/2003
JP	2005198668 A	7/2005
JP	2008246061 A	10/2008
WO	8700764 A1	2/1987
WO	9221413 A1	12/1992
WO	9528210 A1	10/1995
WO	9607153 A1	3/1996
WO	9710577 A1	3/1997
WO	9814249 A1	4/1998
WO	9840136 A1	9/1998
WO	9943404 A1	9/1999
WO	9952610 A1	10/1999
WO	9952611 A1	10/1999
WO	20051076 A1	8/2000
WO	0156670 A1	8/2001
WO	0205914 A1	1/2002
WO	2004067889 A1	8/2004
WO	2004112923 A1	12/2004
WO	2006031472 A2	3/2006
WO	2006039308 A2	4/2006
WO	2008005286 A2	1/2008
WO	2008006023 A2	1/2008
WO	2008091809 A2	7/2008
WO	2009137541 A2	11/2009
WO	2010001032 A1	1/2010
WO	2010055328 A1	5/2010
WO	2010117446 A2	10/2010
WO	2013019677 A2	2/2013

OTHER PUBLICATIONS

“Automatic casino card shuffle,” Alibaba.com, (last visited Jul. 22, 2014), 2 pages.

“i-Deal,” Bally Technologies, Inc., (2014), 2 pages.

“shufflers—SHFL entertainment,” Gaming Concepts Group, (2012), 6 pages.

“TAG Archives: Shuffle Machine,” Gee Wiz Online, (Mar. 25, 2013), 4 pages.

“Error Back propagation,” <http://willamette.edu/~gorr/classes/cs449/backprop.html> (4 pages), Nov. 13, 2008.

1/3" B/W CCD Camera Module EB100 by EverFocus Electronics Corp., Jul. 31, 2001, 3 pgs.

Canadian Office Action for CA 2,580,309 dated Mar. 20, 2012 (6 pages).

Christos Stergiou and Dimitrios Siganos, “Neural Networks,” http://www.doc.ic.ac.uk/~nd/surprise_96/journal/vol4/cs11/report.html (13 pages), Dec. 15, 2011.

European Patent Application Search Report—European Patent Application No. 06772987.1, Dec. 21, 2009.

Genevieve Orr, CS-449: Neural Networks Willamette University, <http://www.willamette.edu/~gorr/classes/cs449/intro.html> (4 pages), Fall 1999.

<http://www.google.com/search?tbm=pts&q=Card+handling+device+with+input+and+output> . . . Jun. 8, 2012.

<http://www.google.com/search?tbm=pts&q=shuffling+zone+onOpposite+site+of+input> . . . Jul. 18, 2012.

Litwiller, Dave, CCD vs. CMOS: Facts and Fiction reprinted from Jan. 2001 Issue of Photonics Spectra, Laurin Publishing Co. Inc. (4 pages).

Malaysian Patent Application Substantive Examination Adverse Report—Malaysian Patent Application Serial No. PI 20062710, Sep. 6, 2006.

PCT International Preliminary Examination Report for corresponding International Application No. PCT/US02/31105 filed Sep. 27, 2002.

PCT International Preliminary Report on Patentability of the International Searching Authority for PCT/US05/31400, dated Oct. 16, 2007, 7 pages.

PCT International Search Report and Written Opinion—International Patent Application No. PCT/US2006/22911, Dec. 28, 2006.

PCT International Search Report and Written Opinion for International Application No. PCT/US2007/023168, dated Sep. 12, 2008, 8 pages.

PCT International Search Report and Written Opinion for International Application No. PCT/US2007/022858, mailed Apr. 18, 2008, 7 pages.

PCT International Search Report and Written Opinion for PCT/US07/15036, dated Sep. 23, 2008, 3 pages.

PCT International Search Report and Written Opinion for PCT/US07/15035, dated Sep. 29, 2008, 3 pages.

PCT International Search Report and Written Opinion of the International Searching Authority for PCT/GB2011/051978, dated Jan. 17, 2012, 11 pages.

PCT International Search Report and Written Opinion of the International Searching Authority for PCT/IB2013/001756, dated Jan. 10, 2014, 7 pages.

PCT International Search Report and Written Opinion of the International Searching Authority for PCT/US11/59797, dated Mar. 27, 2012, 14 pages.

PCT International Search Report and Written Opinion of the International Searching Authority for PCT/US13/59665, dated Apr. 25, 2014, 21 pages.

PCT International Search Report and Written Opinion of the International Searching Authority for PCT/US2008/007069, dated Sep. 8, 2008, 10 pages.

PCT International Search Report and Written Opinion of the International Searching Authority for PCT/US2010/001032, dated Jun. 16, 2010, 11 pages.

PCT International Search Report and Written Opinion, PCT Application No. PCT/US2013/062391, Dec. 17, 2013, 13 pages.

PCT International Search Report and Written Opinion, PCT/US12/48706, Oct. 16, 2012, 12 pages.

PCT International Search Report for International Application No. PCT/US2003/015393, mailed Oct. 6, 2003.

PCT International Search Report for PCT/US2005/034737 dated Apr. 7, 2006 (WO06/039308).

PCT International Search Report for PCT/US2007/022894, dated Jun. 11, 2008, 2 pages.

PCT International Search Report and Written Opinion of the International Searching Authority for PCT/US05/31400, dated Sep. 25, 2007, 8 pages.

PCT International Search Report and Written Opinion, PCT Application No. PCT/US2015/022158, Jun. 17, 2015, 13 pages.

Philippines Patent Application Formality Examination Report—Philippines Patent Application No. 1-2006-000302, Jun. 13, 2006.

Press Release for Alliance Gaming Corp., Jul. 26, 2004—Alliance Gaming Announces Control with Galaxy Macau for New MindPlay Baccarat Table Technology, <http://biz.yahoo.com/prnews>.

Scarne’s Encyclopedia of Games by John Scarne, 1973, “Super Contract Bridge”, p. 153.

Service Manual/User Manual for Single Deck Shufflers: BG1, BG2 and BG3 by Shuffle Master © 1996.

Shuffle Master Gaming, Service Manual, ACETM Single Deck Card Shuffler, (1998), 63 pages.

Shuffle Master Gaming, Service Manual, Let It Ride Bonus® With Universal Keypad, 112 pages, © 2000 Shuffle Master, Inc.

(56)

References Cited

OTHER PUBLICATIONS

Shuffle Master's Reply Memorandum in Support of Shuffle Master's Motion for Preliminary Injunction for *Shuffle Master, Inc. vs. VendingData Corporation*, In the U.S. District Court, District of Nevada, No. CV-S-04-1373-JCM-LRL, Nov. 29, 2004.

Singapore Patent Application Examination Report—Singapore Patent Application No. SE 2008 01914 A, Aug 6, 2006.

Specification of Australian Patent Application No. 31577/95, filed Jan. 17, 1995, Applicants: Rodney G. Johnson et al., Title: Card Handling Apparatus.

Specification of Australian Patent Application No. Not Listed, filed Aug. 15, 1994, Applicants: Rodney G. Johnson et al., Title: Card Handling Apparatus.

Statement of Relevance of Cited References, Submitted as Part of a Third-Party Submission Under 37 CFR 1.290 on Dec. 7, 2012 (12 pages).

tbm=pts&hl=en Google Search for card handling device with storage area, card removing system pivoting arm and processor . . . ; <http://www.google.com/?tbrn=pts&hl=en>; Jul. 28, 2012.

Tracking the Tables, by Jack Bularsky, Casino Journal, May 2004, vol. 17, No. 5, pp. 44-47.

United States Court of Appeals for the Federal Circuit Decision Decided Dec. 27, 2005 for Preliminary Injunction for *Shuffle Master, Inc. vs. VendingData Corporation*, in the U.S. District Court, District of Nevada, No. CV-S-04-1373-JCM-LRL.

VendingData Corporation's Answer and Counterclaim Jury Trial Demanded for *Shuffle Master, Inc. vs. VendingData Corporation*, in the U.S. District Court, District of Nevada, No. CV-S-04-1373-JCM-LRL, Oct. 25, 2004.

VendingData Corporation's Opposition to Shuffle Master Inc.'s Motion for Preliminary Injection for *Shuffle Master, Inc. vs. VendingData Corporation*, in the U.S. District Court, District of Nevada, No. CC-S-04-1373-JCM-LRL, Nov. 12, 2004.

VendingData Corporation's Responses to Shuffle Master, Inc.'s First set of interrogatories for *Shuffle Master, Inc. vs. VendingData Corporation*, in the U.S. District Court, District of Nevada, No. CV-S-04-1373-JCM-LRL, Mar. 14, 2005.

DVD Labeled "Luciano Decl. Ex. K". This is the video taped live Declaration of Mr. Luciano taken during preparation of litigation (Oct. 23, 2003).

DVD labeled Morrill Decl. Ex. A.: This is the video taped live Declaration of Mr. Robert Morrill, a lead trial counsel for the defense, taken during preparation for litigation. He is describing the operation of the Roblejo Prototype device. (Jan. 15, 2004).

DVD Labeled "Solberg Decl. Ex. C". Exhibit C to Declaration of Hal Solberg, a witness in litigation, signed Dec. 1, 2003.

DVD labeled "Exhibit 1". This is a video taken by Shuffle Master personnel of the live operation of a Card One2Six™ Shuffler (Oct. 7, 2003).

Documents submitted in the case of *Shuffle Master, Inc. v. Card Austria, et al.*, Case No. CV-N-0508-HDM-(VPC) (Consolidated with Case No. CV-N-02-0244-ERC-(RAM)), May 6, 2003, Part 1 of 23 (Master Index and Binder 1, 1 of 2).

Documents submitted in the case of *Shuffle Master, Inc. v. Card Austria, et al.*, Case No. CV-N-0508-HDM-(VPC) (Consolidated with Case No. CV-N-02-0244-ERC-(RAM)), May 6, 2003, Part 2 of 23 (Master Index and Binder 1, 2 of 2).

Documents submitted in the case of *Shuffle Master, Inc. v. Card Austria, et al.*, Case No. CV-N-0508-HDM-(VPC) (Consolidated with Case No. CV-N-02-0244-ERC-(RAM)), May 6, 2003, Part 3 of 23 (Binder 2, 1 of 2).

Documents submitted in the case of *Shuffle Master, Inc. v. Card Austria, et al.*, Case No. CV-N-0508-HDM-(VPC) (Consolidated with Case No. CV-N-02-0244-ERC-(RAM)), May 6, 2003, Part 4 of 23 (Binder 2, 2 of 2).

Documents submitted in the case of *Shuffle Master, Inc. v. Card Austria, et al.*, Case No. CV-N-0508-HDM-(VPC) (Consolidated with Case No. CV-N-02-0244-ERC-(RAM)), May 6, 2003, Part 5 of 23 (Binder 3, 1 of 2).

Documents submitted in the case of *Shuffle Master, Inc. v. Card Austria, et al.*, Case No. CV-N-0508-HDM-(VPC) (Consolidated with Case No. CV-N-02-0244-ERC-(RAM)), May 6, 2003, Part 6 of 23 (Binder 3, 2 of 2).

Documents submitted in the case of *Shuffle Master, Inc. v. Card Austria, et al.*, Case No. CV-N-0508-HDM-(VPC) (Consolidated with Case No. CV-N-02-0244-ERC-(RAM)), May 6, 2003, Part 7 of 23 (Binder 4, 1 of 2).

Documents submitted in the case of *Shuffle Master, Inc. v. Card Austria, et al.*, Case No. CV-N-0508-HDM-(VPC) (Consolidated with Case No. CV-N-02-0244-ERC-(RAM)), May 6, 2003, Part 8 of 23 (Binder 4, 2 of 2).

Documents submitted in the case of *Shuffle Master, Inc. v. Card Austria, et al.*, Case No. CV-N-0508-HDM-(VPC) (Consolidated with Case No. CV-N-02-0244-ERC-(RAM)), May 6, 2003, Part 9 of 23 (Binder 5 having no contents; Binder 6, 1 of 2).

Documents submitted in the case of *Shuffle Master, Inc. v. Card Austria, et al.*, Case No. CV-N-0508-HDM-(VPC) (Consolidated with Case No. CV-N-02-0244-ERC-(RAM)), May 6, 2003, Part 10 of 23 (Binder 6, 2 of 2).

Documents submitted in the case of *Shuffle Master, Inc. v. Card Austria, et al.*, Case No. CV-N-0508-HDM-(VPC) (Consolidated with Case No. CV-N-02-0244-ERC-(RAM)), May 6, 2003, Part 11 of 23 (Binder 7, 1 of 2).

Documents submitted in the case of *Shuffle Master, Inc. v. Card Austria, et al.*, Case No. CV-N-0508-HDM-(VPC) (Consolidated with Case No. CV-N-02-0244-ERC-(RAM)), May 6, 2003, Part 12 of 23 (Binder 7, 2 of 2).

Documents submitted in the case of *Shuffle Master, Inc. v. Card Austria, et al.*, Case No. CV-N-0508-HDM-(VPC) (Consolidated with Case No. CV-N-02-0244-ERC-(RAM)), May 6, 2003, Part 13 of 23 (Binder 8, 1 of 5).

Documents submitted in the case of *Shuffle Master, Inc. v. Card Austria, et al.*, Case No. CV-N-0508-HDM-(VPC) (Consolidated with Case No. CV-N-02-0244-ERC-(RAM)), May 6, 2003, Part 14 of 23 (Binder 8, 2 of 5).

Documents submitted in the case of *Shuffle Master, Inc. v. Card Austria, et al.*, Case No. CV-N-0508-HDM-(VPC) (Consolidated with Case No. CV-N-02-0244-ERC-(RAM)), May 6, 2003, Part 15 of 23 (Binder 8, 3 of 5).

Documents submitted in the case of *Shuffle Master, Inc. v. Card Austria, et al.*, Case No. CV-N-0508-HDM-(VPC) (Consolidated with Case No. CV-N-02-0244-ERC-(RAM)), May 6, 2003, Part 16 of 23 (Binder 8, 4 of 5).

Documents submitted in the case of *Shuffle Master, Inc. v. Card Austria, et al.*, Case No. CV-N-0508-HDM-(VPC) (Consolidated with Case No. CV-N-02-0244-ERC-(RAM)), May 6, 2003, Part 17 of 23 (Binder 8, 5 of 5).

Documents submitted in case of *Shuffle Master, Inc. v. Card Austria, et al.*, Case No. CV-N-0508-HDM-(VPC) Consolidated with Case No. CV-N-02-0244-ERC-(RAM)), May 6, 2003, scan of color pages, for clarity, Part 18 of 23 (color copies from Binder 1).

Documents submitted in case of *Shuffle Master, Inc. v. Card Austria, et al.*, Case No. CV-N-0508-HDM-(VPC) Consolidated with Case No. CV-N-02-0244-ERC-(RAM)), May 6, 2003, scan of color pages, for clarity, Part 19 of 23 (color copies from Binder 3).

Documents submitted in case of *Shuffle Master, Inc. v. Card Austria, et al.*, Case No. CV-N-0508-HDM-(VPC) Consolidated with Case No. CV-N-02-0244-ERC-(RAM)), May 6, 2003, scan of color pages, for clarity, Part 20 of 23 (color copies from Binder 4).

Documents submitted in case of *Shuffle Master, Inc. v. Card Austria, et al.*, Case No. CV-N-0508-HDM-(VPC) Consolidated with Case No. CV-N-02-0244-ERC-(RAM)), May 6, 2003, scan of color pages, for clarity, Part 21 of 23 (color copies from Binder 6).

Documents submitted in case of *Shuffle Master, Inc. v. Card Austria, et al.*, Case No. CV-N-0508-HDM-(VPC) Consolidated with Case No. CV-N-02-0244-ERC-(RAM)), May 6, 2003, scan of color pages, for clarity, Part 22 of 23 (color copies from Binder 8, part 1 of 2).

(56)

References Cited

OTHER PUBLICATIONS

Documents submitted in case of *Shuffle Master, Inc. v. Card Austria, et al.*, Case No. CV-N-0508-HDM-(VPC) Consolidated with Case No. CV-N-02-0244-ERC-(RAM)), May 6, 2003, scan of color

pages, for clarity, Part 23 of 23 (color copies from Binder 8, part 2 of 2).

PCT International Search Report and Written Opinion, PCT Application No. PCT/US2015/040196, (Jan. 15, 2016), 20 pages.

* cited by examiner

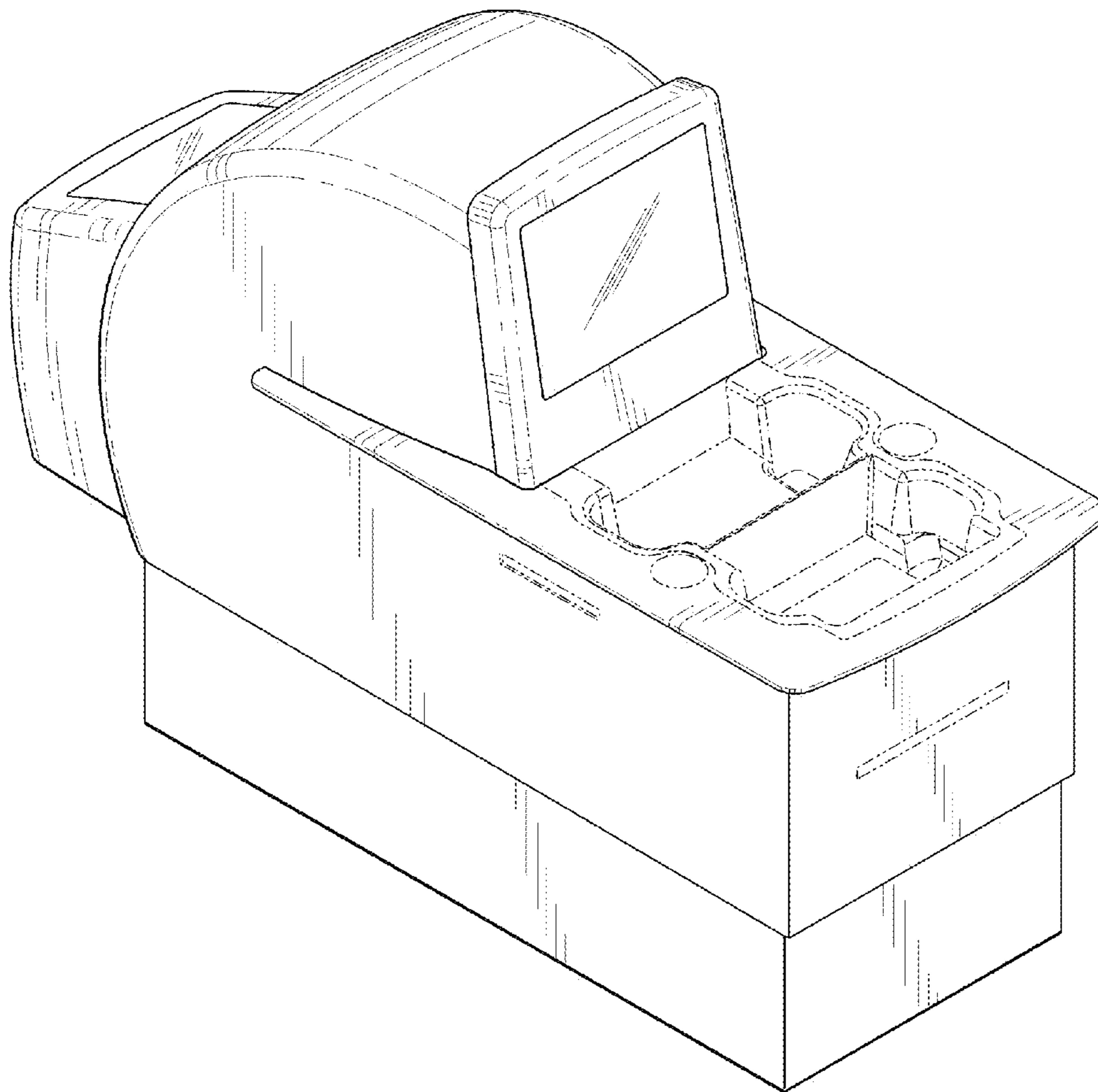


FIG. 1

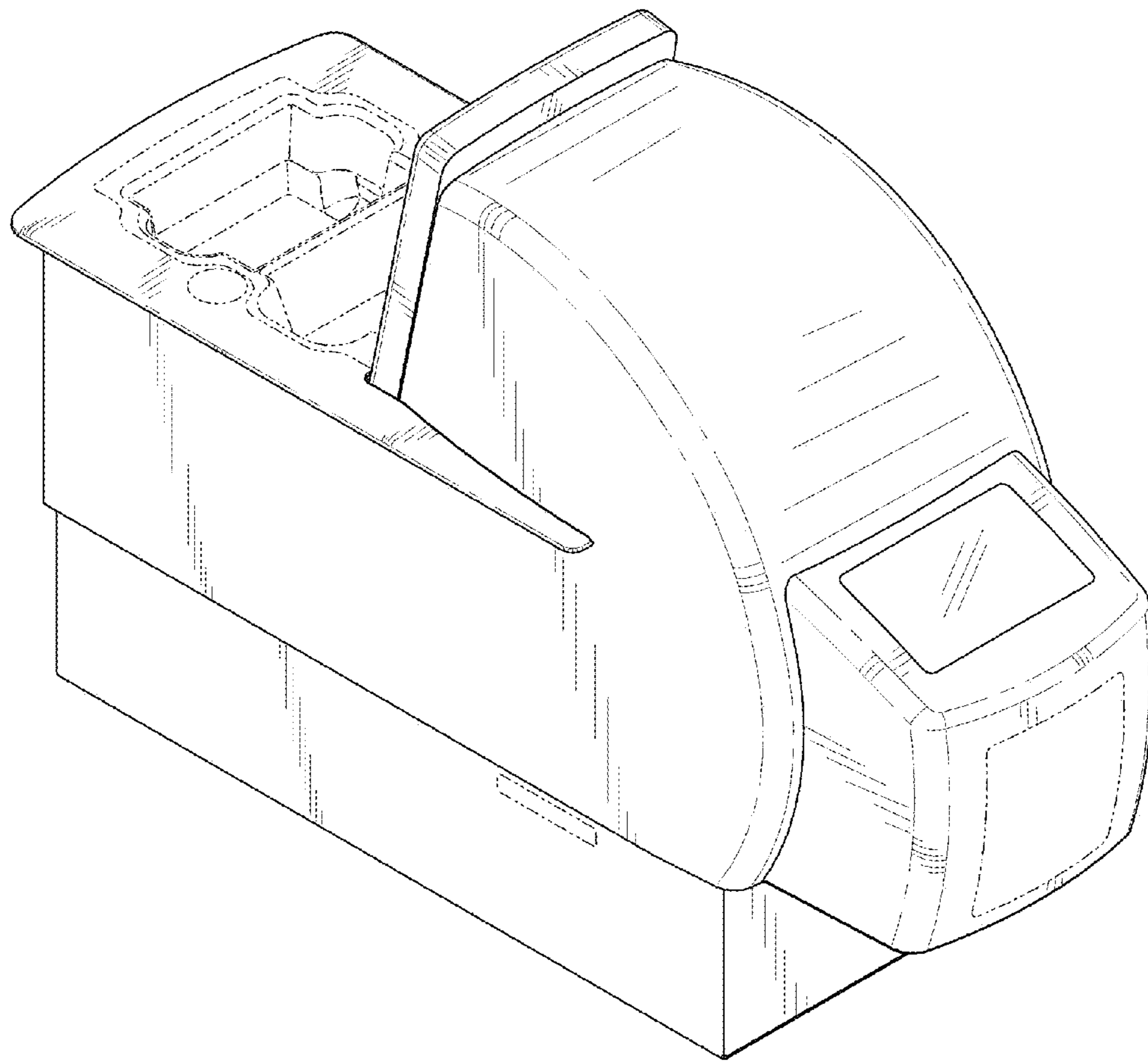


FIG. 2

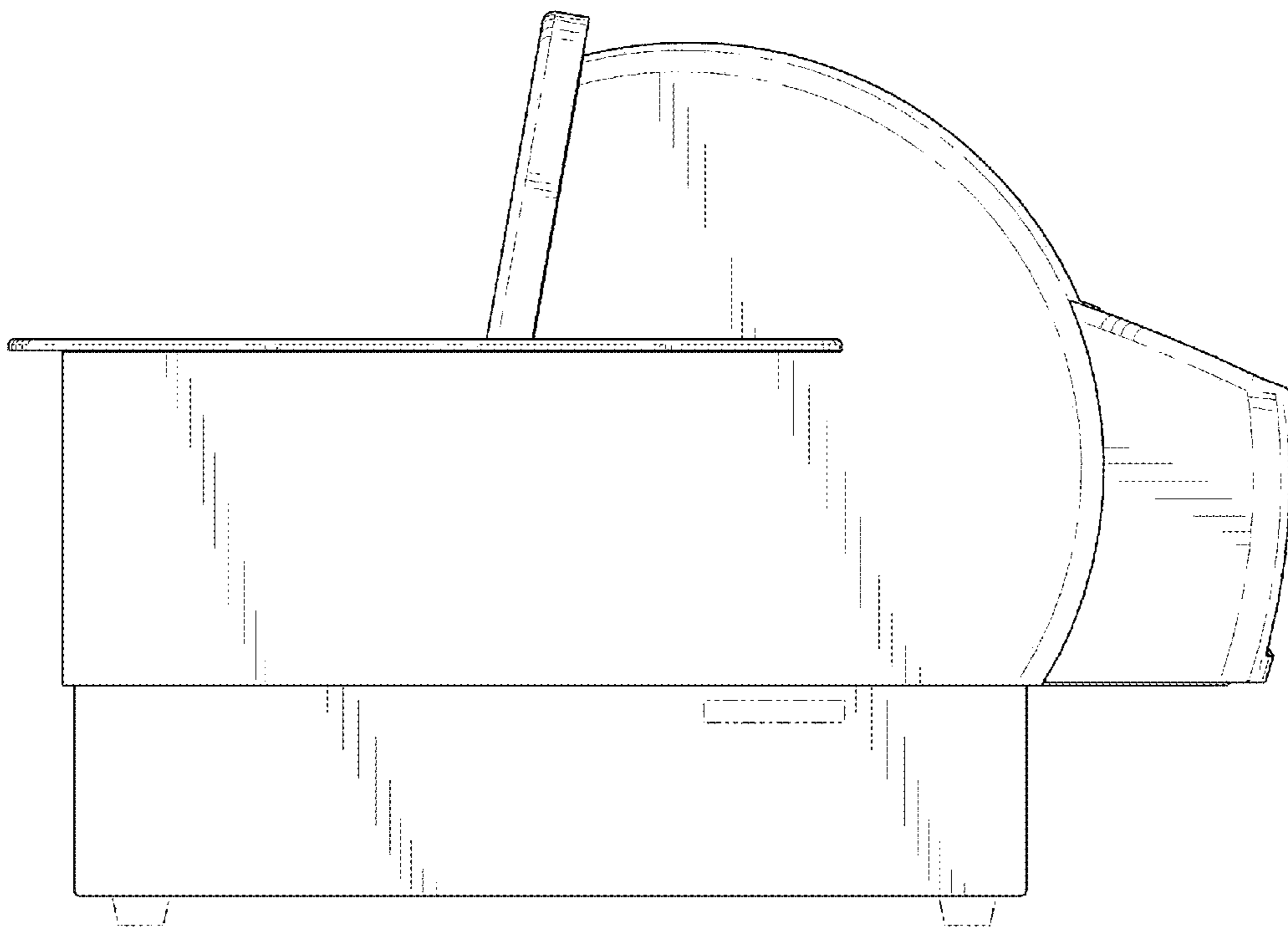


FIG. 3

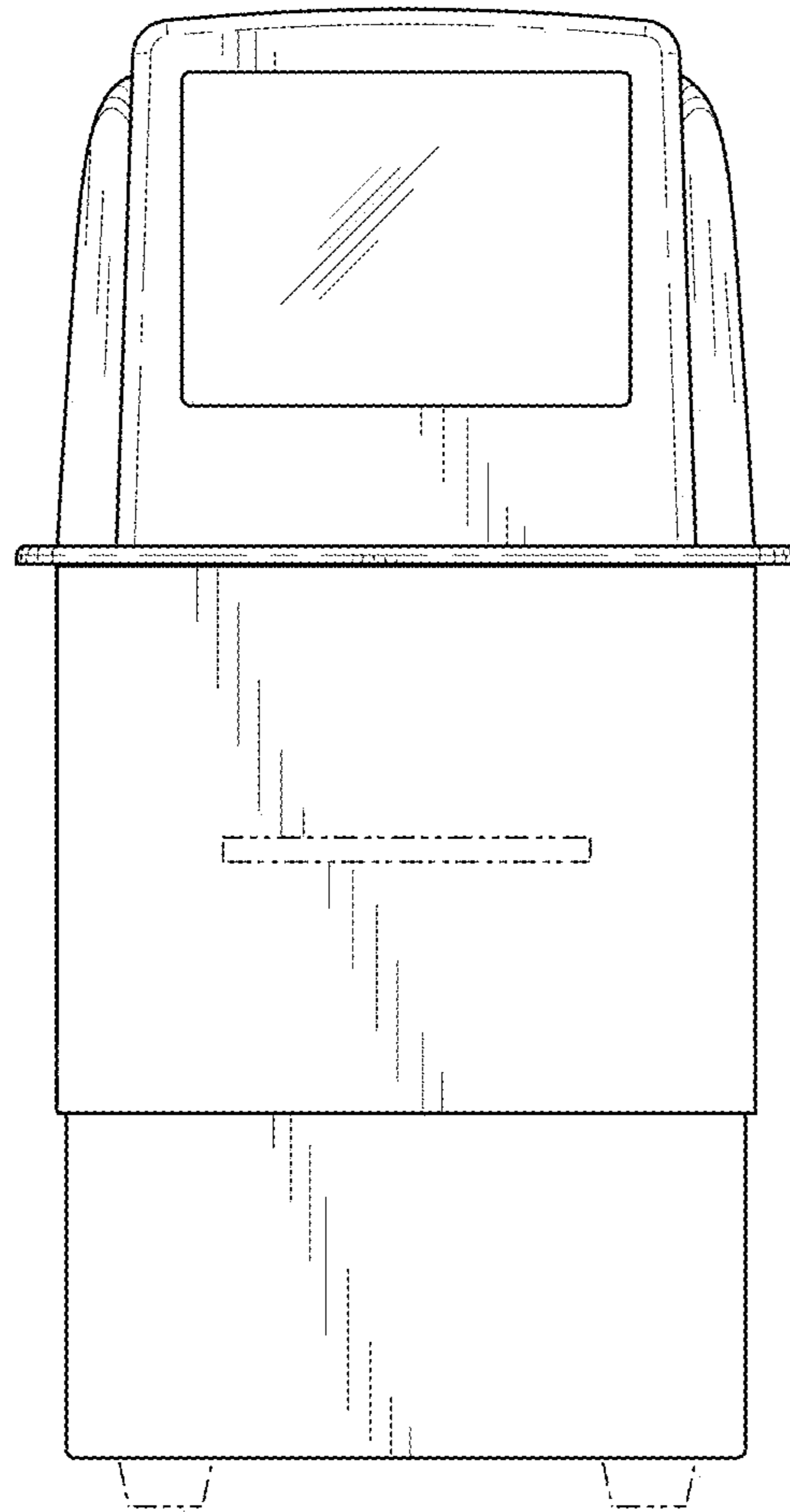


FIG. 4

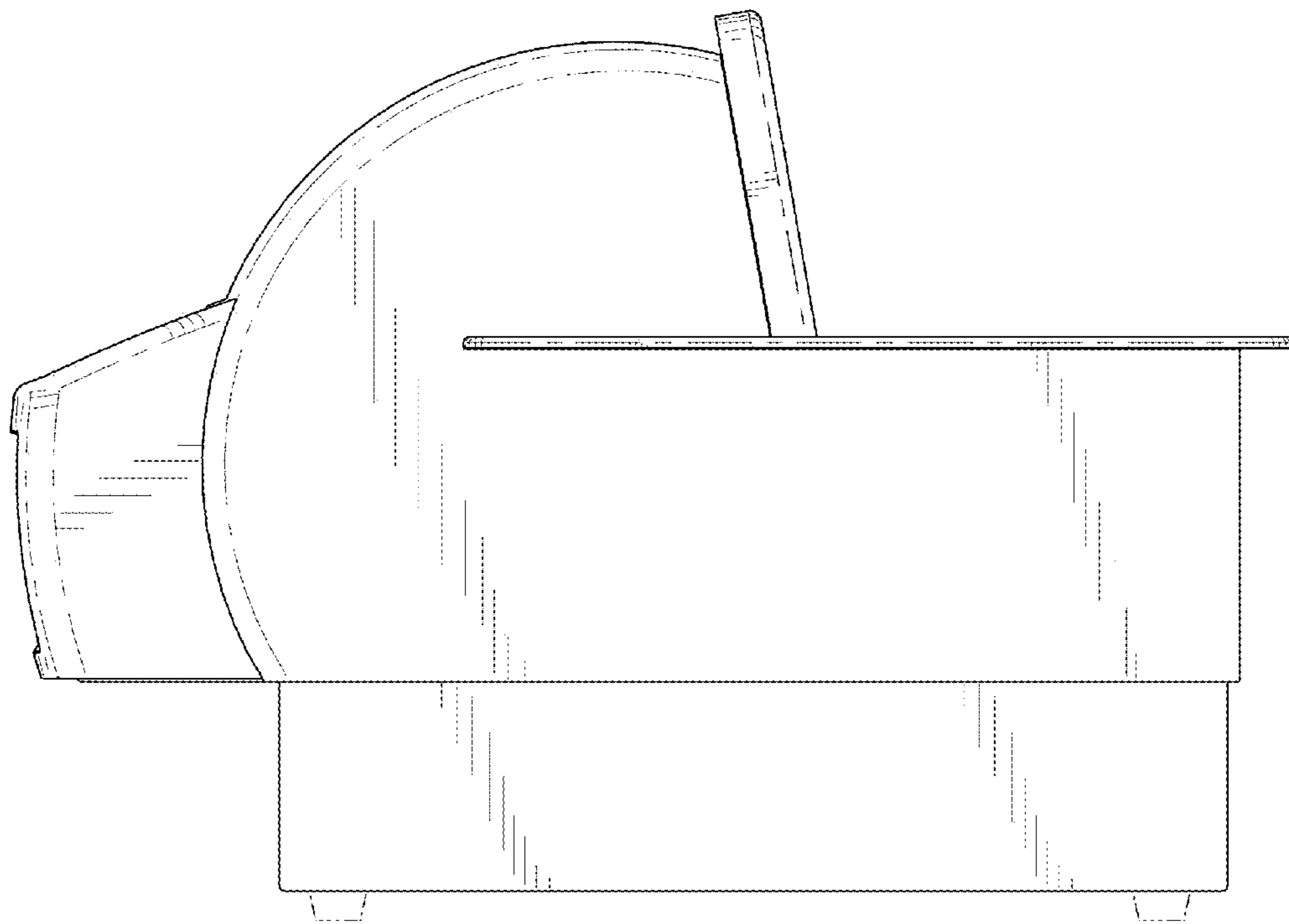


FIG. 5

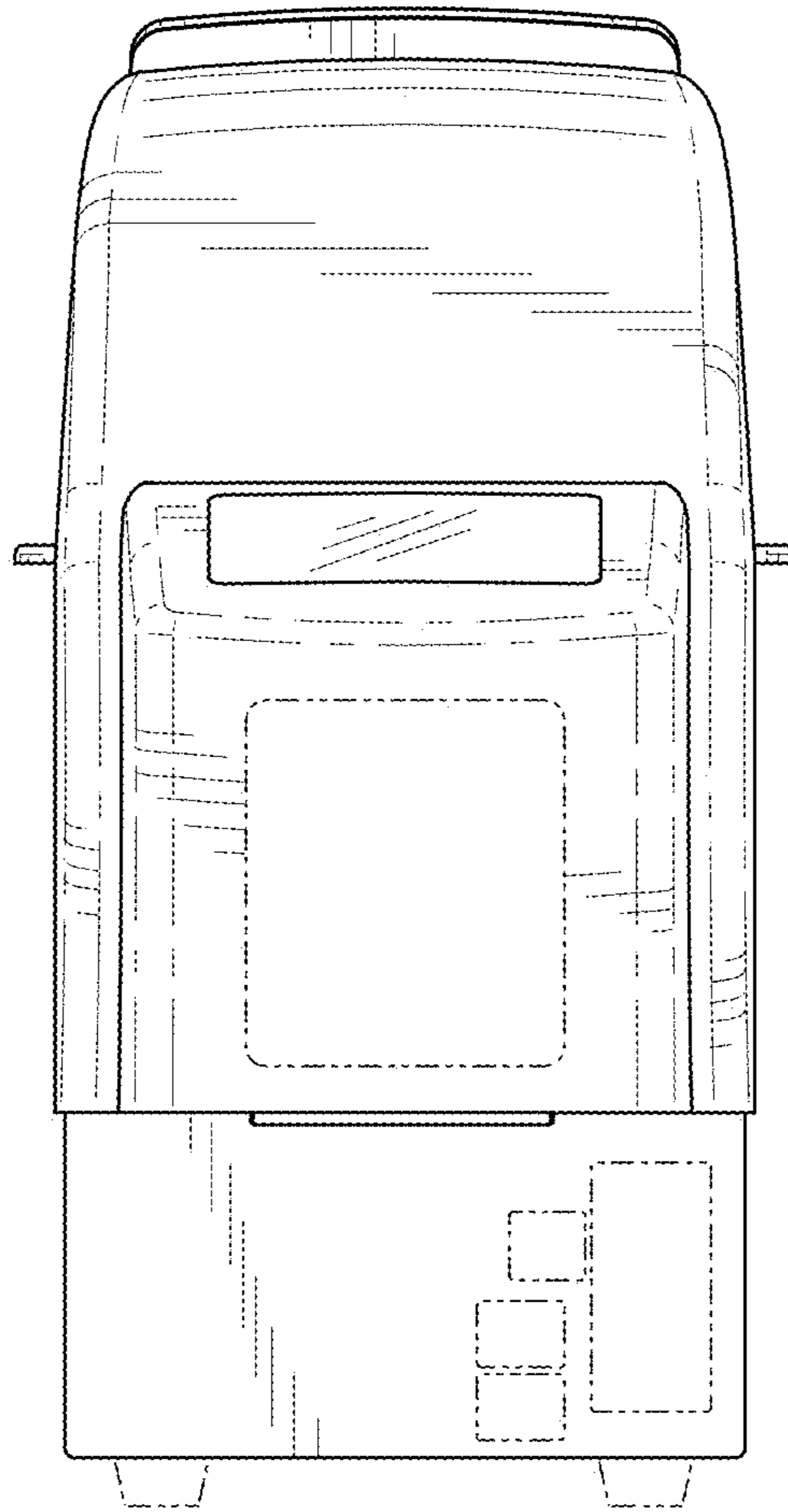


FIG. 6

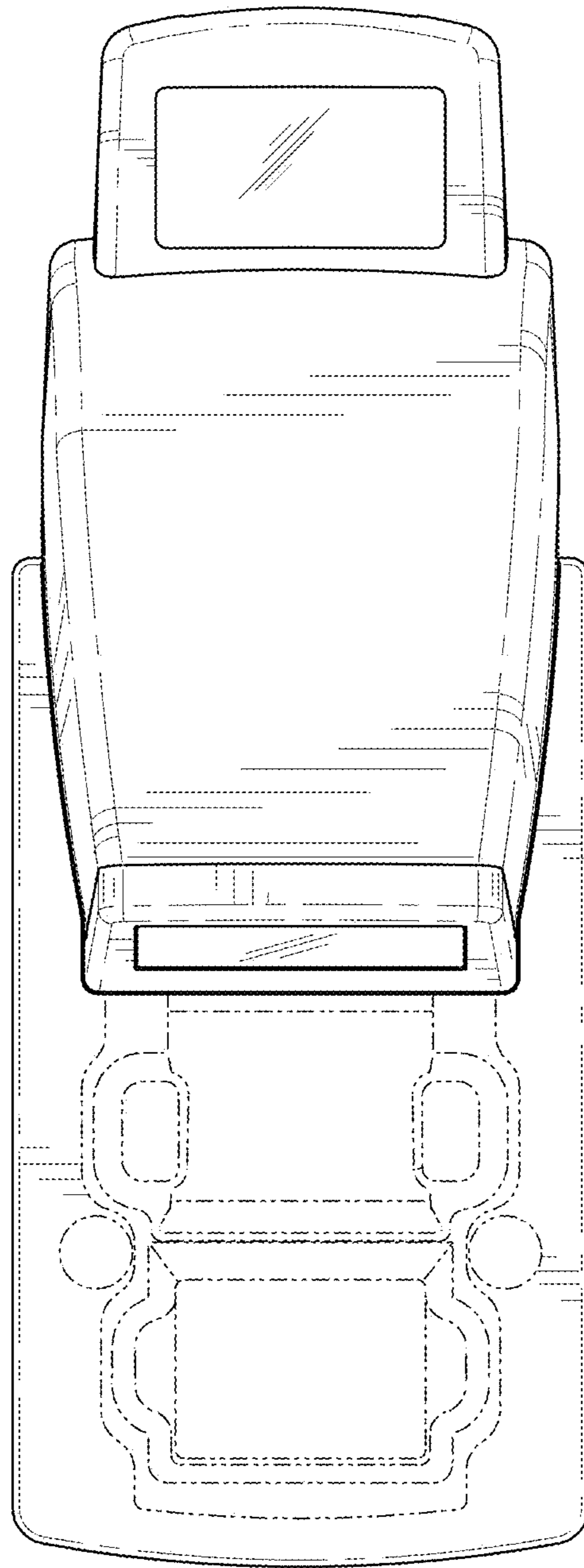


FIG. 7

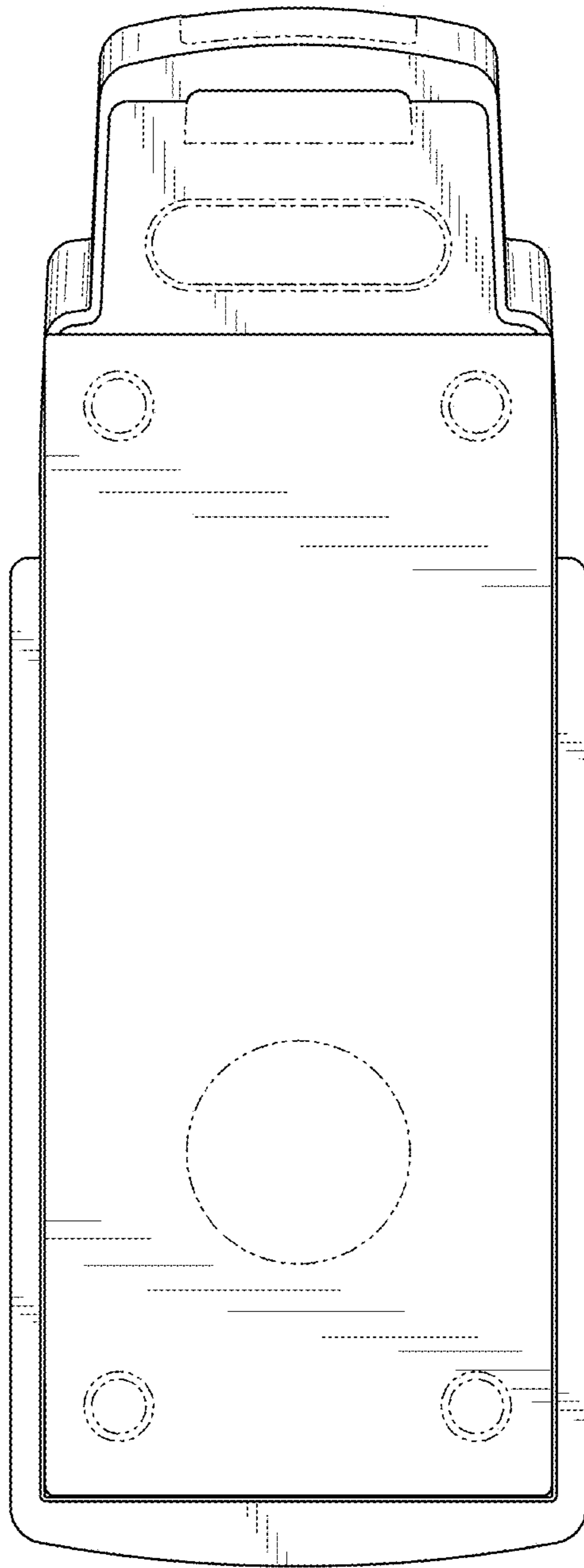


FIG. 8

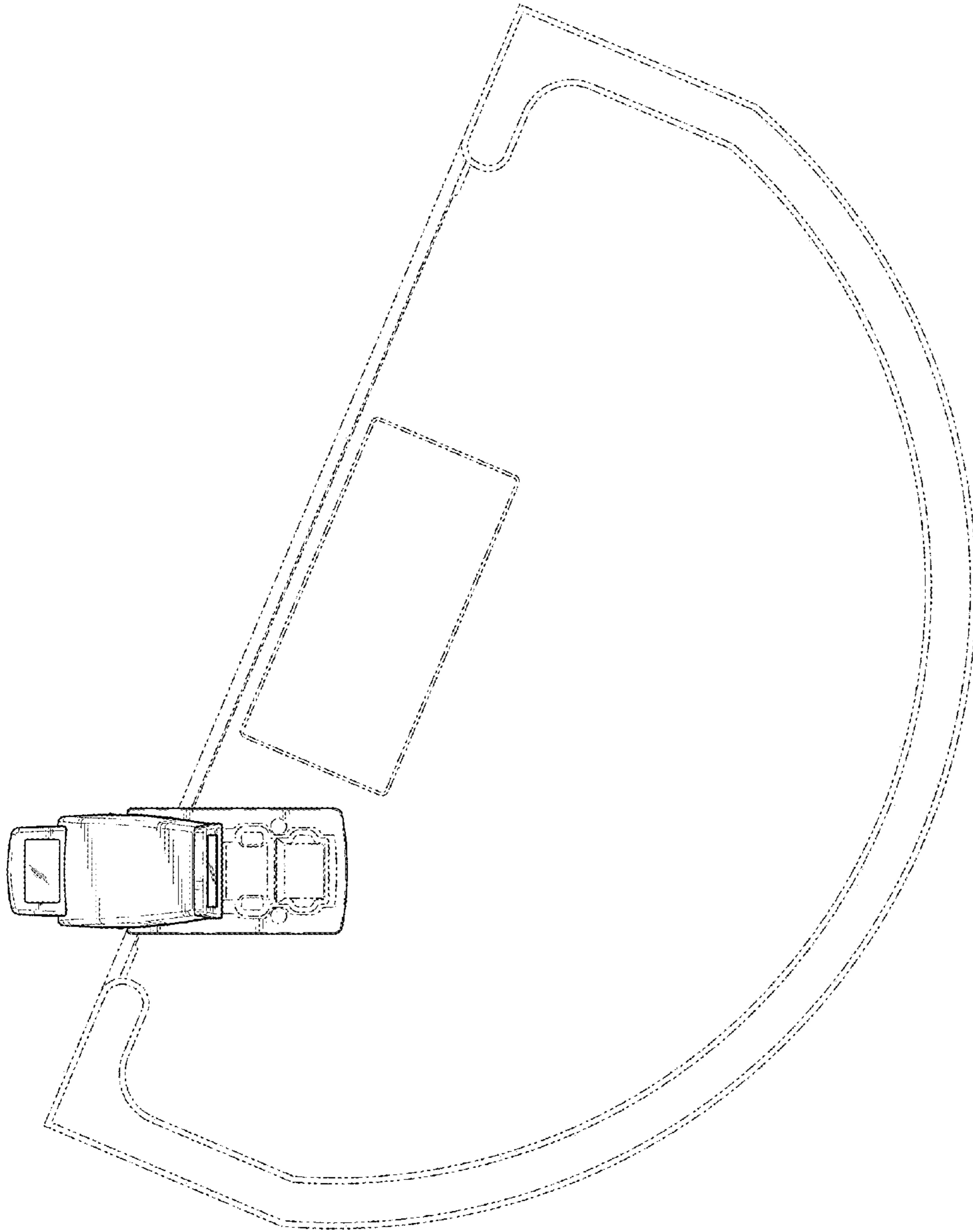


FIG. 9