



US00D764598S

(12) **United States Design Patent**  
**Reaux**

(10) **Patent No.:** **US D764,598 S**

(45) **Date of Patent:** **\*\* Aug. 23, 2016**

(54) **VESSEL HAVING A BALL HOLDER AND A REMOVABLE BALL**

2016/0082333 A1\* 3/2016 Tappin ..... A63B 67/002  
273/400

\* cited by examiner

*Primary Examiner* — George D Kirschbaum

(71) Applicant: **Brian K. Reaux**, Red Oak, TX (US)

(72) Inventor: **Brian K. Reaux**, Red Oak, TX (US)

(73) Assignee: **Brian K. Reaux**, Red Oak, TX (US)

(\*\*) Term: **14 Years**

(21) Appl. No.: **29/463,966**

(22) Filed: **Apr. 15, 2014**

(51) **LOC (10) Cl.** ..... **21-01**

(52) **U.S. Cl.**  
USPC ..... **D21/385**

(58) **Field of Classification Search**  
USPC ..... D21/385  
CPC ..... A63B 47/001; A63B 47/00; A63B 67/002  
See application file for complete search history.

(56) **References Cited**

**U.S. PATENT DOCUMENTS**

- 6,168,061 B1\* 1/2001 Harrison ..... A63B 47/001  
224/666
- 2008/0265719 A1\* 10/2008 deMange ..... A63B 47/00  
312/49
- 2011/0036881 A1\* 2/2011 Higgs ..... A63B 47/00  
224/274

(57) **CLAIM**

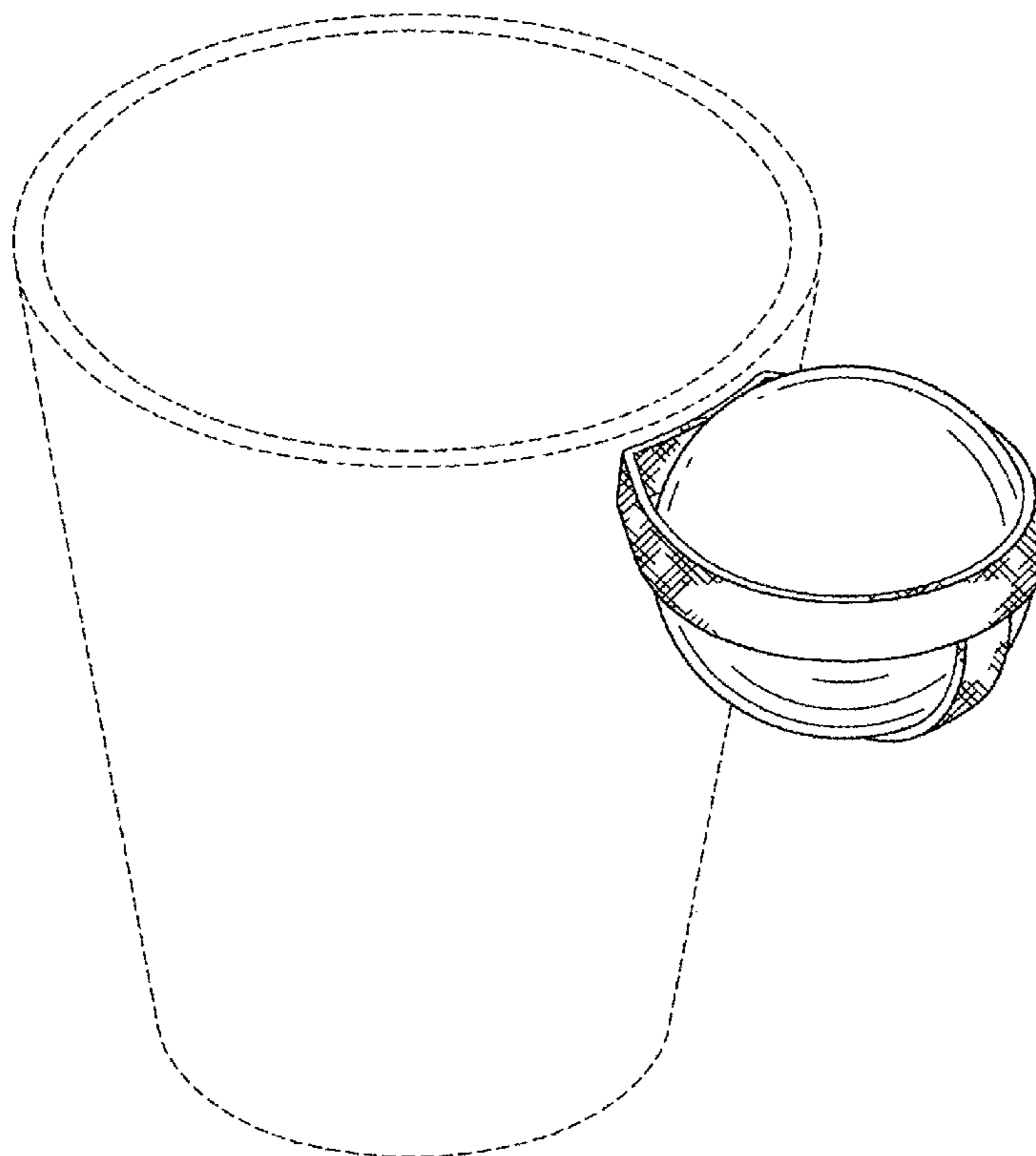
The ornamental design for a vessel having a ball holder and a removable ball, as shown and described.

**DESCRIPTION**

FIG. 1 is a perspective view of a vessel having a ball holder and a removable ball, showing my new design in use;  
 FIG. 2 is a front view thereof;  
 FIG. 3 is a back view thereof;  
 FIG. 4 is a left side view thereof;  
 FIG. 5 is a right side view thereof;  
 FIG. 6 is a top view thereof;  
 FIG. 7 is a bottom view thereof;  
 FIG. 8 is a exploded view showing ball removed view thereof;  
 and,  
 FIG. 9 is alternate perspective view of the design, as shown in FIGS. 1-8.

The broken line showing of a vessel, and in FIG. 9, extra balls and holders is included for the purpose of illustrating portions of the “article” and forms no part of the claimed design.

**1 Claim, 7 Drawing Sheets**



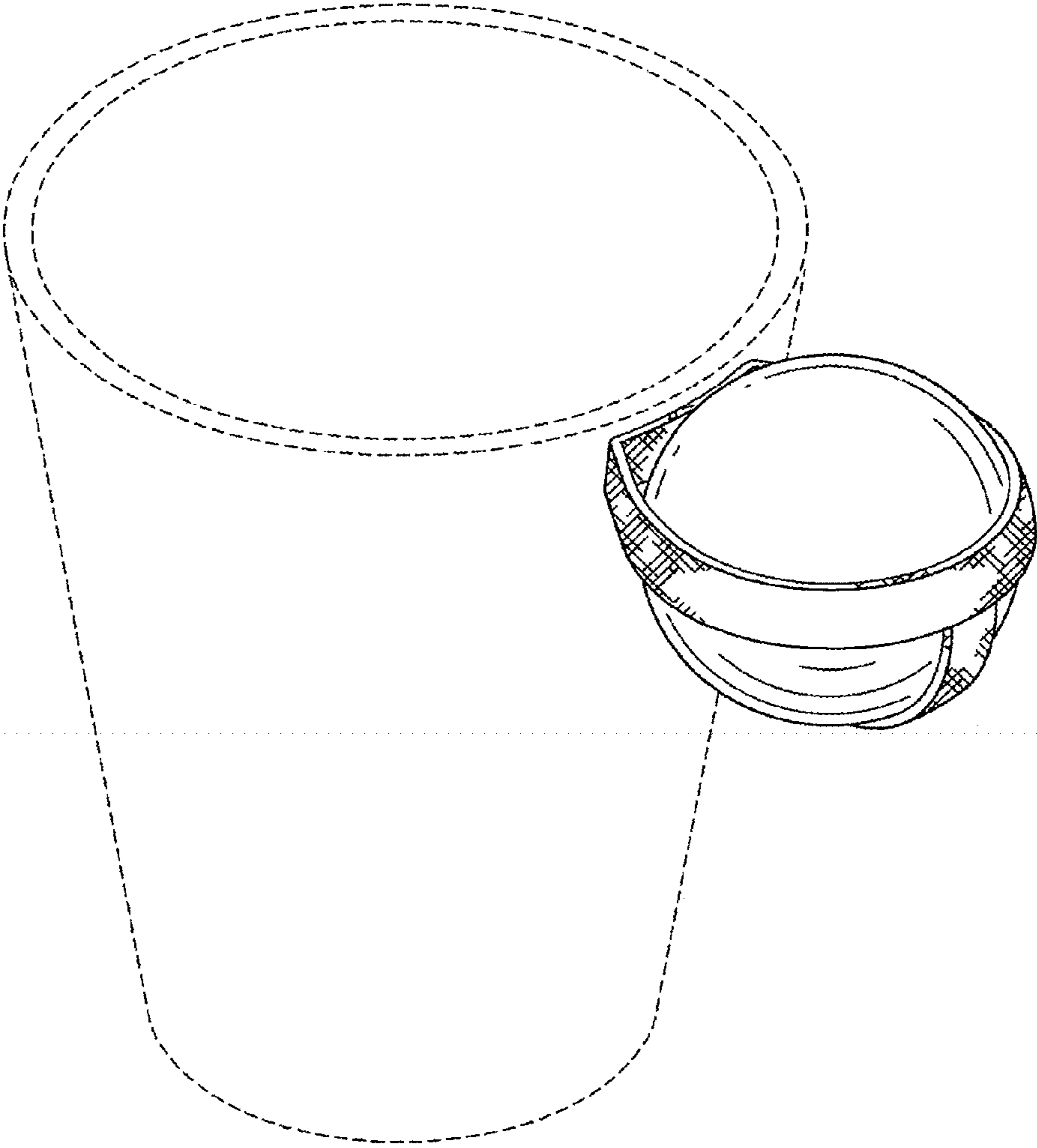


FIG. 1

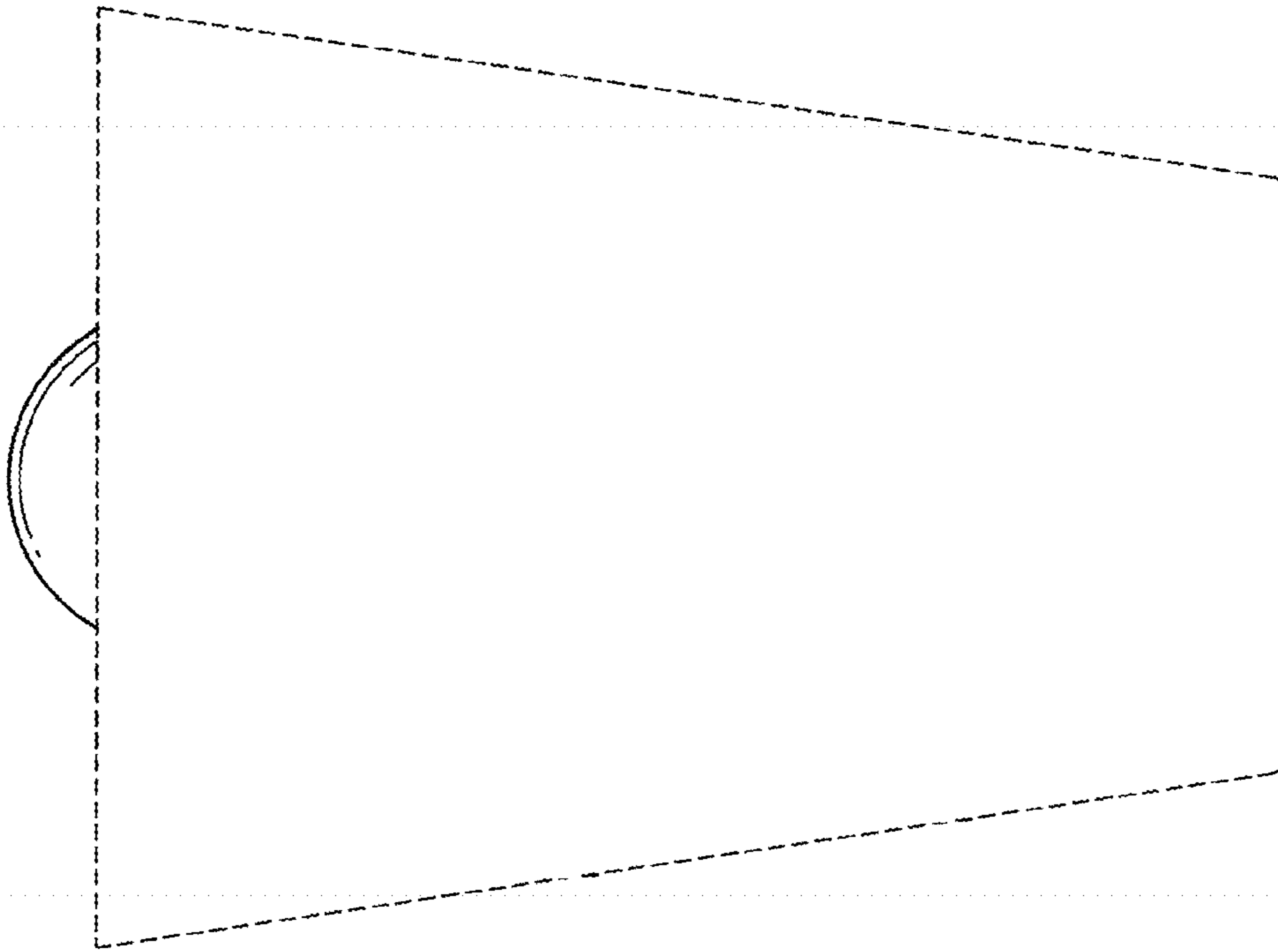


FIG. 3

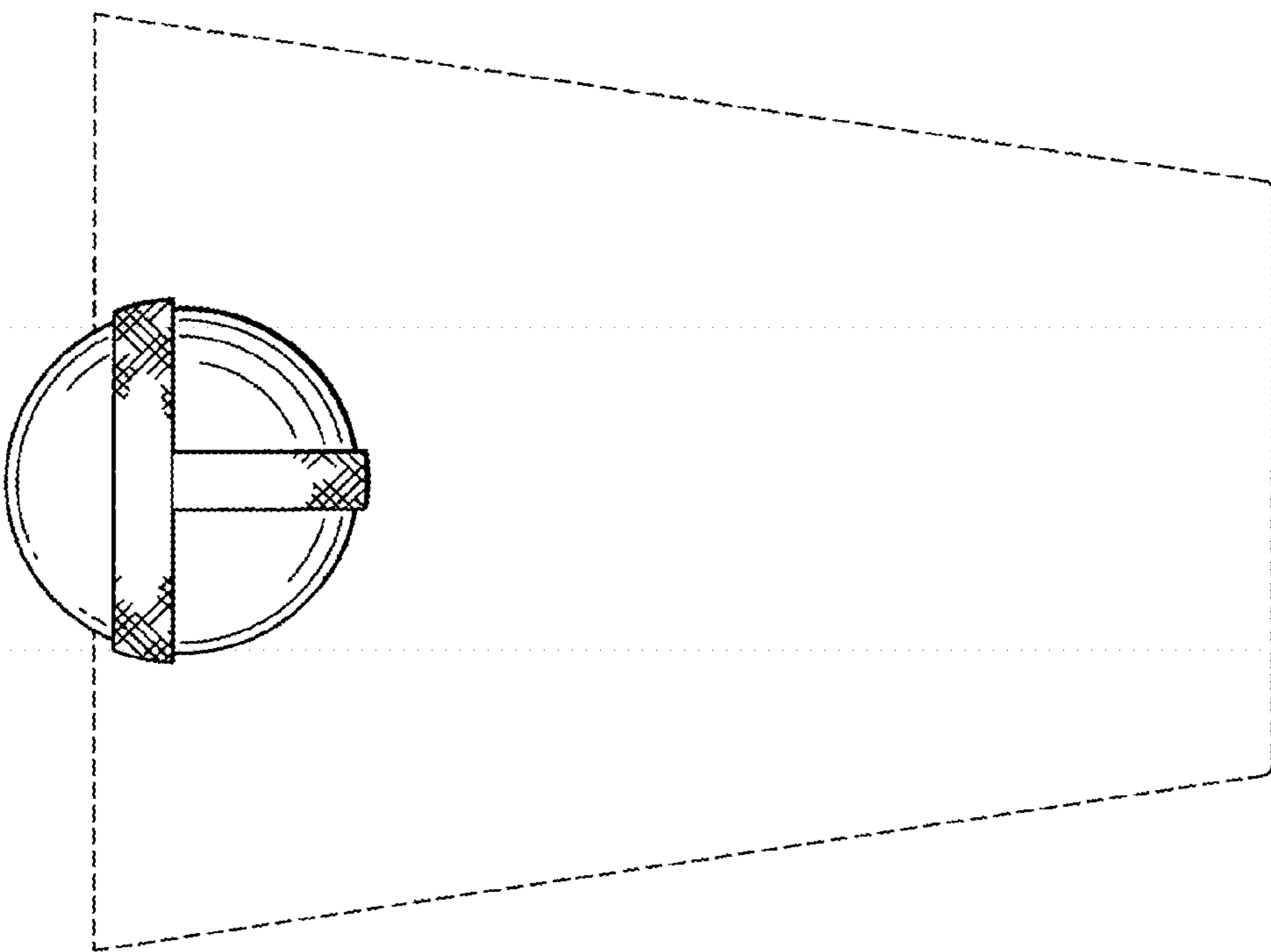


FIG. 2

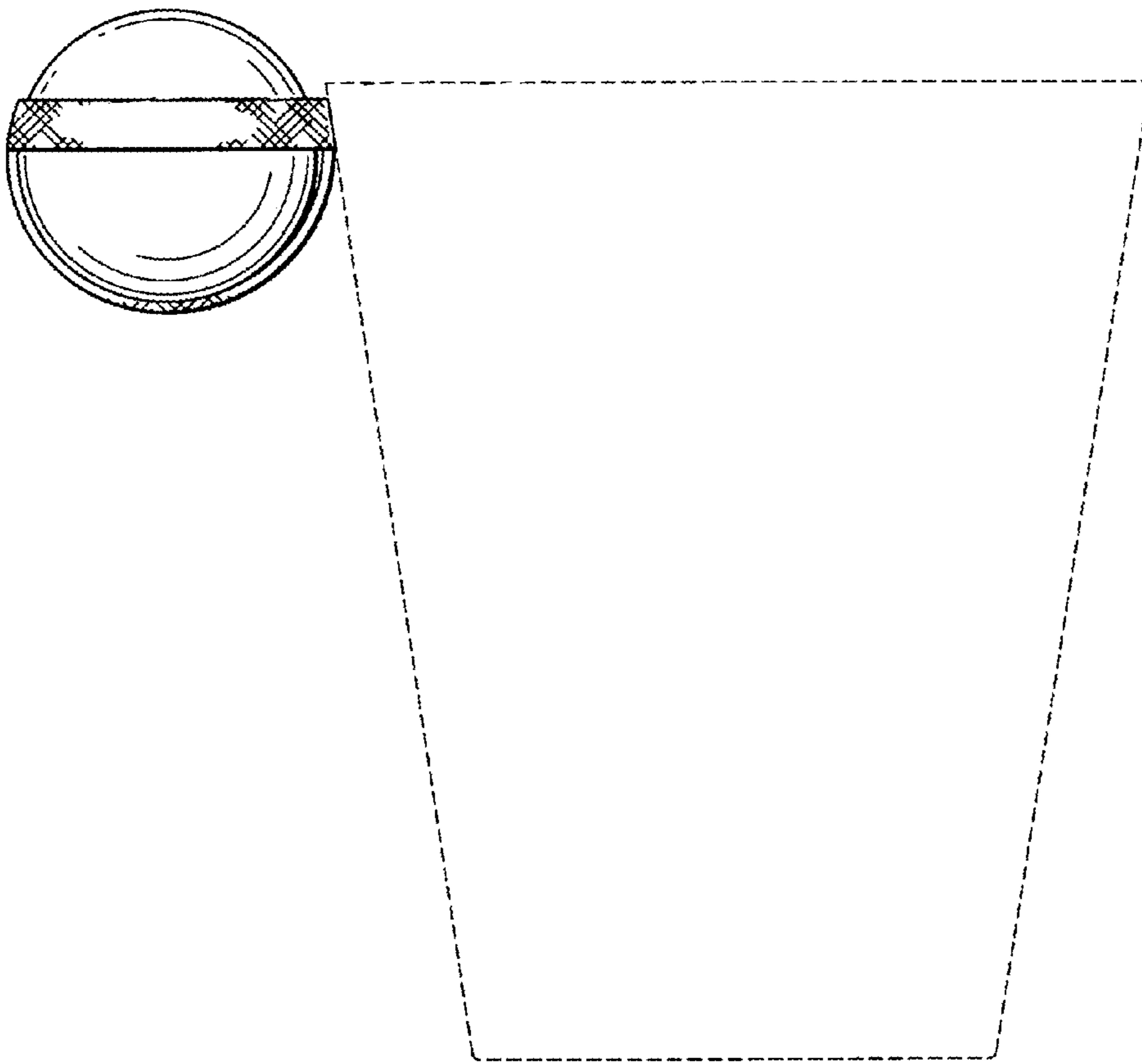


FIG. 4

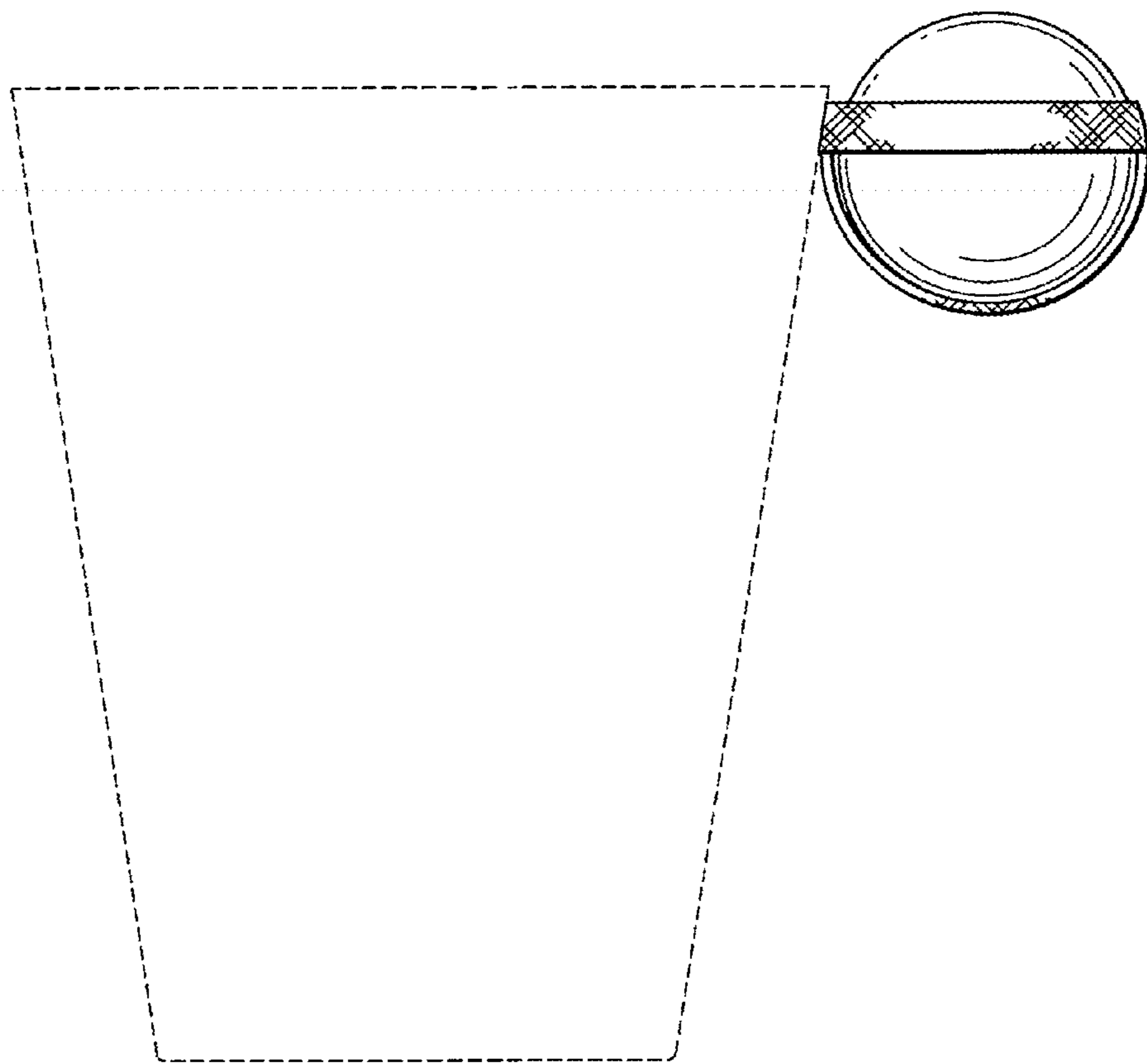


FIG. 5

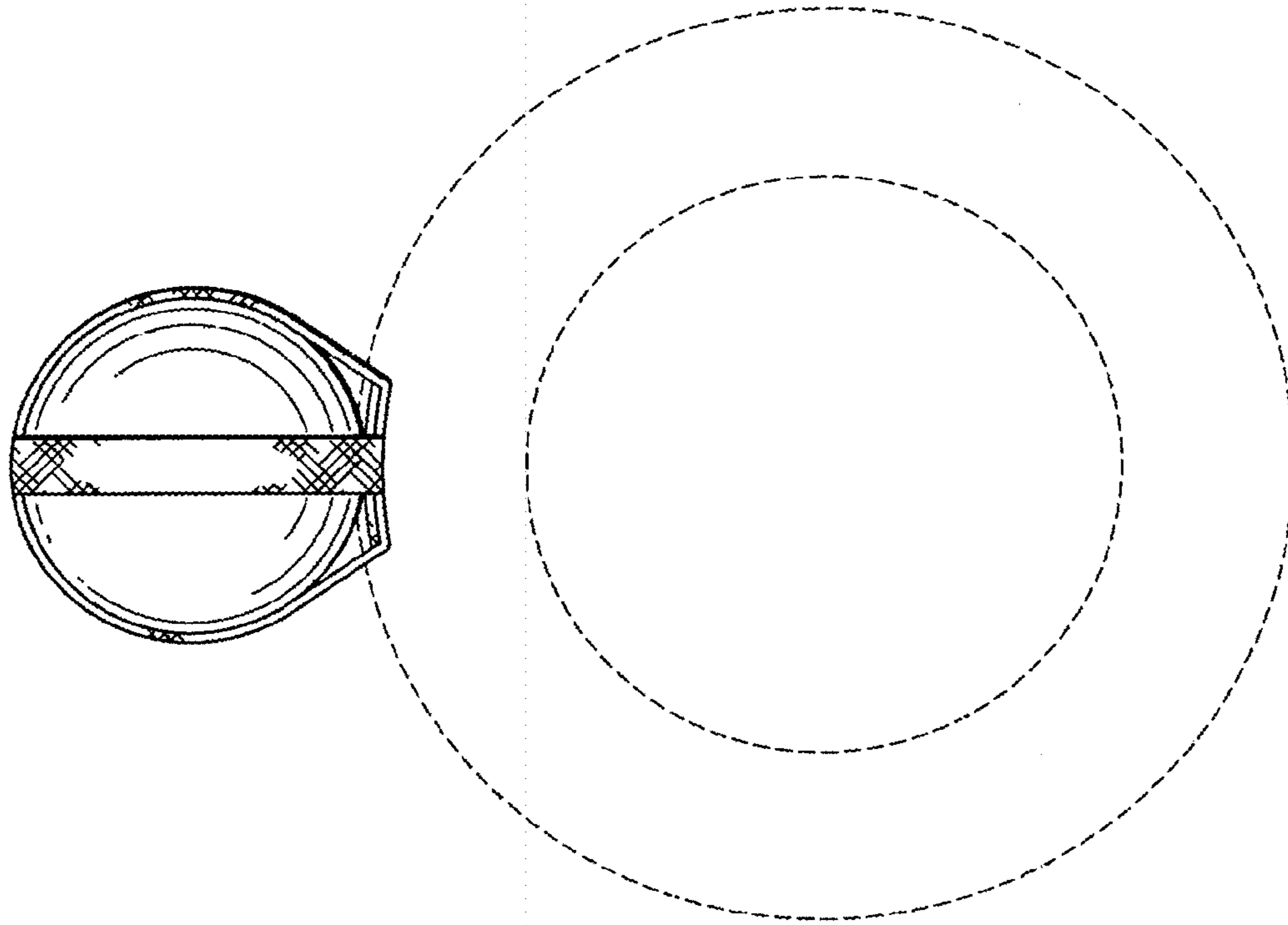


FIG. 7

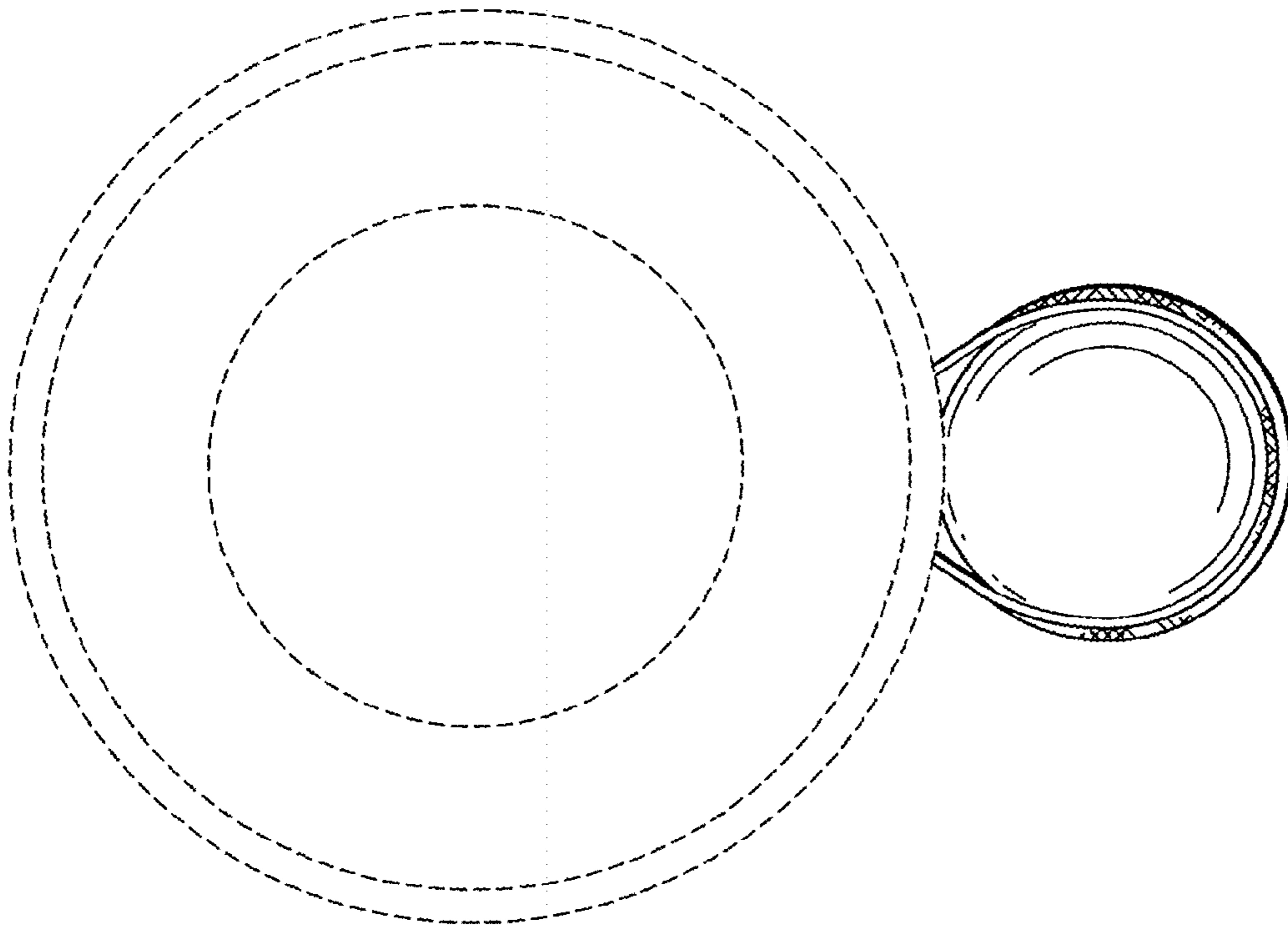


FIG. 6

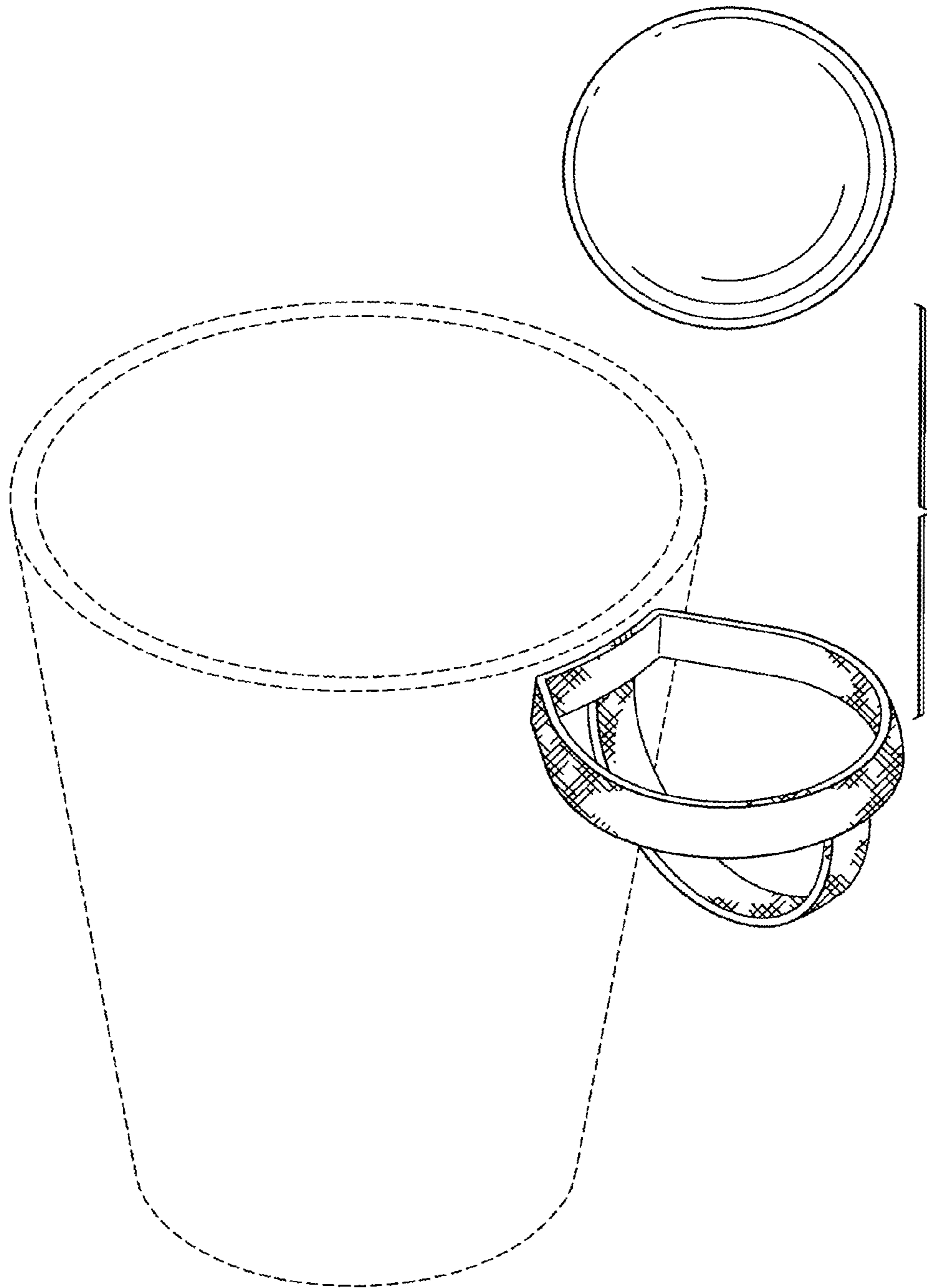


FIG. 8

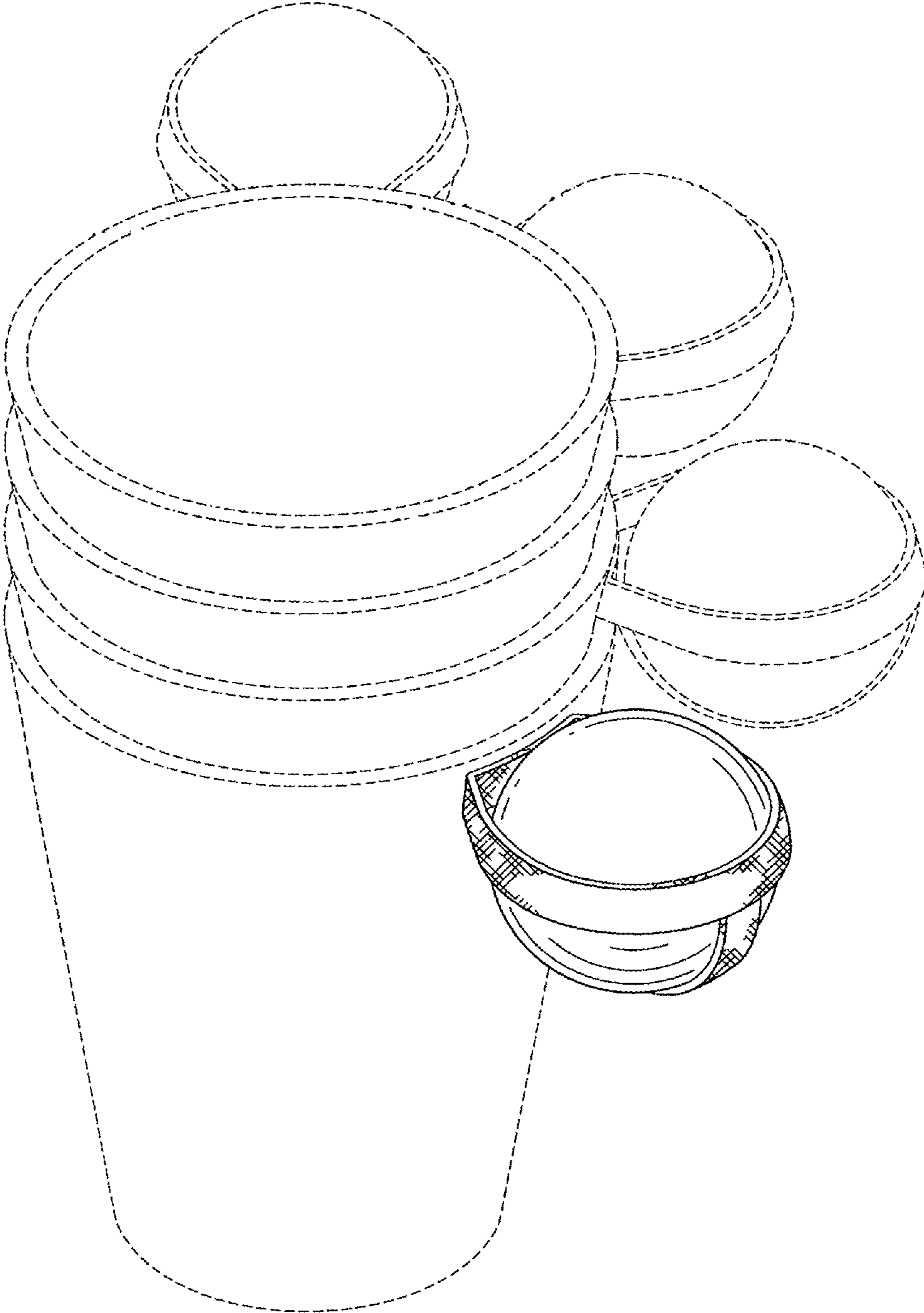


FIG. 9