



US00D764593S

(12) **United States Design Patent**
Aragon

(10) **Patent No.:** **US D764,593 S**
(45) **Date of Patent:** **** Aug. 23, 2016**

- (54) **SIGN FRAME**
- (71) Applicant: **Aragon Graphics, Inc.**, Garland, TX (US)
- (72) Inventor: **Cesar Aragon**, Richardson, TX (US)
- (73) Assignee: **Aragon Graphics, Inc.**, Garland, TX (US)
- (**) Term: **15 Years**
- (21) Appl. No.: **29/544,755**
- (22) Filed: **Nov. 5, 2015**
- (51) **LOC (10) Cl.** **20-03**
- (52) **U.S. Cl.**
USPC **D20/43**
- (58) **Field of Classification Search**
USPC D20/10, 42-44, 99; D25/119
CPC G09F 1/10; G09F 1/103; G09F 1/12;
G09F 1/14; G09F 2001/106; G09F 3/18;
G09F 3/185; G09F 3/20; G09F 3/201; G09F
3/202; G09F 3/204; G09F 7/10; G09F 7/18
See application file for complete search history.

D254,625 S *	4/1980	Stenersen	D20/43
5,480,116 A *	1/1996	Callas	G09F 7/08 248/228.4
5,863,019 A *	1/1999	Rose	G09F 7/10 248/205.3
D455,634 S *	4/2002	Hummel	D25/124
D480,112 S *	9/2003	Santolaya	D20/10
D590,892 S *	4/2009	Healy	D20/43
D625,365 S *	10/2010	Lundgren	D20/99
D669,135 S *	10/2012	Garfinkle	D20/43
2010/0236111 A1 *	9/2010	Cheetwood	G09F 1/10 40/124

* cited by examiner

Primary Examiner — Mary Ann Calabrese

(57) **CLAIM**

The ornamental design for a sign frame, as shown and described.

DESCRIPTION

FIG. 1 is a front, top, and left perspective view of a sign frame in accordance with the present disclosure;
 FIG. 2 is a left side view thereof;
 FIG. 3 is a right side view thereof;
 FIG. 4 is a front elevation view thereof;
 FIG. 5 is a back elevation view thereof;
 FIG. 6 is a top plan view thereof;
 FIG. 7 is a bottom plan view thereof; and,
 FIG. 8 is a front, bottom, and right side perspective view thereof.

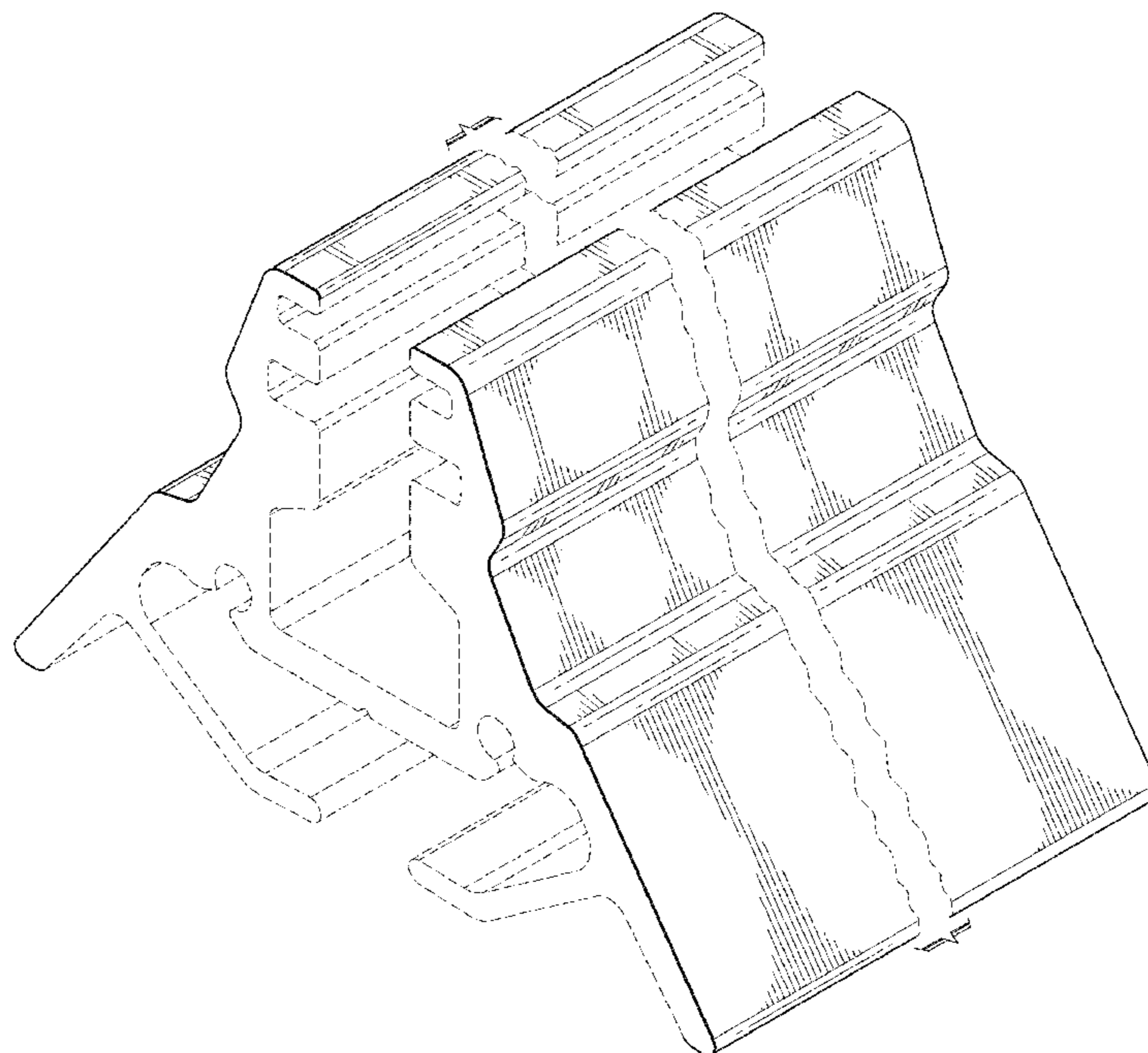
In the drawings, the broken lines depict unclaimed subject matter only and form no part of the claimed design. The separation and brackets indicate that the precise length of the sign frame is not claimed.

1 Claim, 8 Drawing Sheets

(56) **References Cited**

U.S. PATENT DOCUMENTS

2,972,201 A *	2/1961	Niedermayer	B42F 15/066 248/316.7
3,154,870 A *	11/1964	Hopp	G09F 7/00 229/69
3,797,795 A *	3/1974	Hemgren	G09F 1/103 248/316.7
4,135,692 A *	1/1979	Ferguson	A47G 7/045 248/228.7



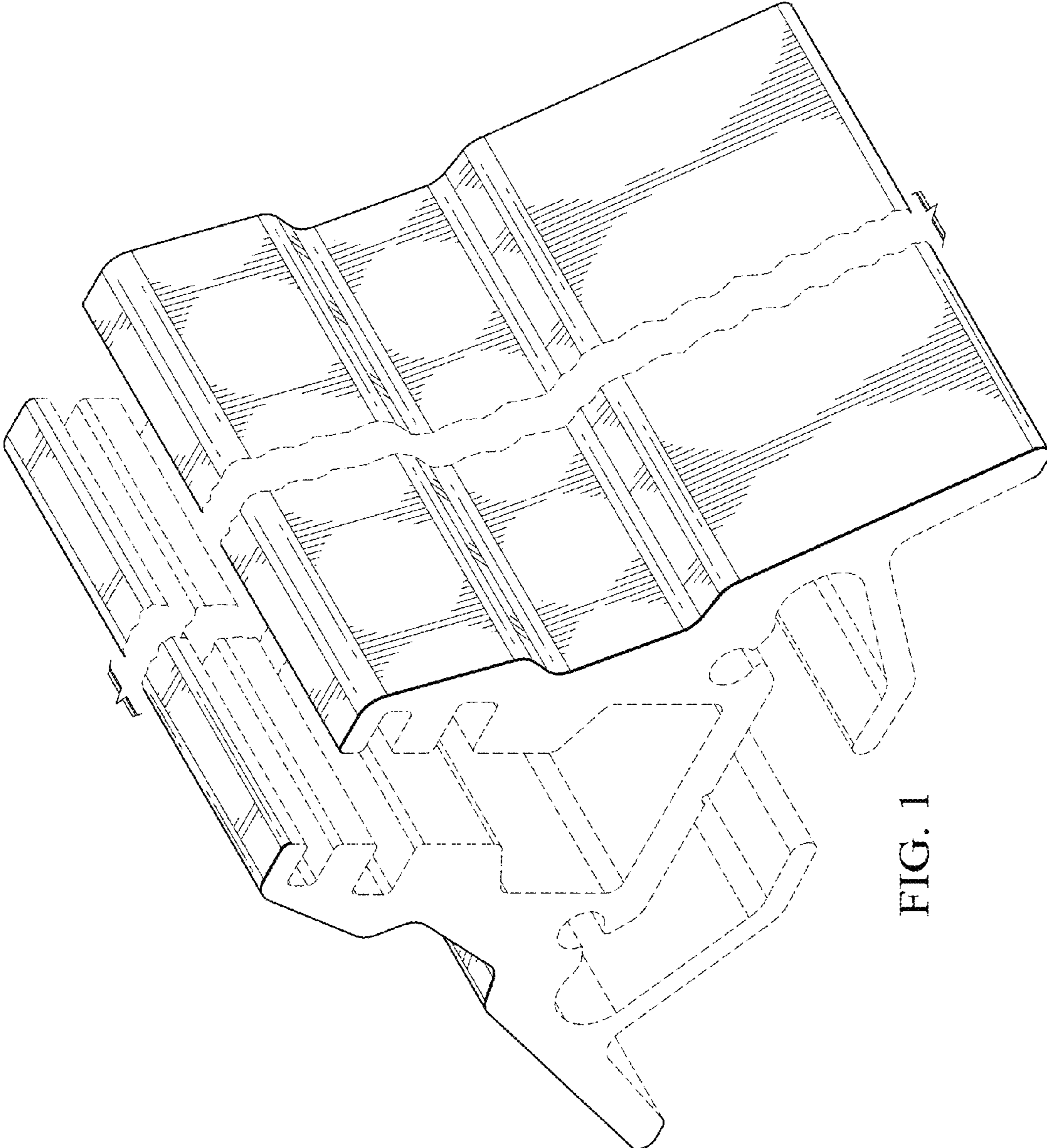


FIG. 1

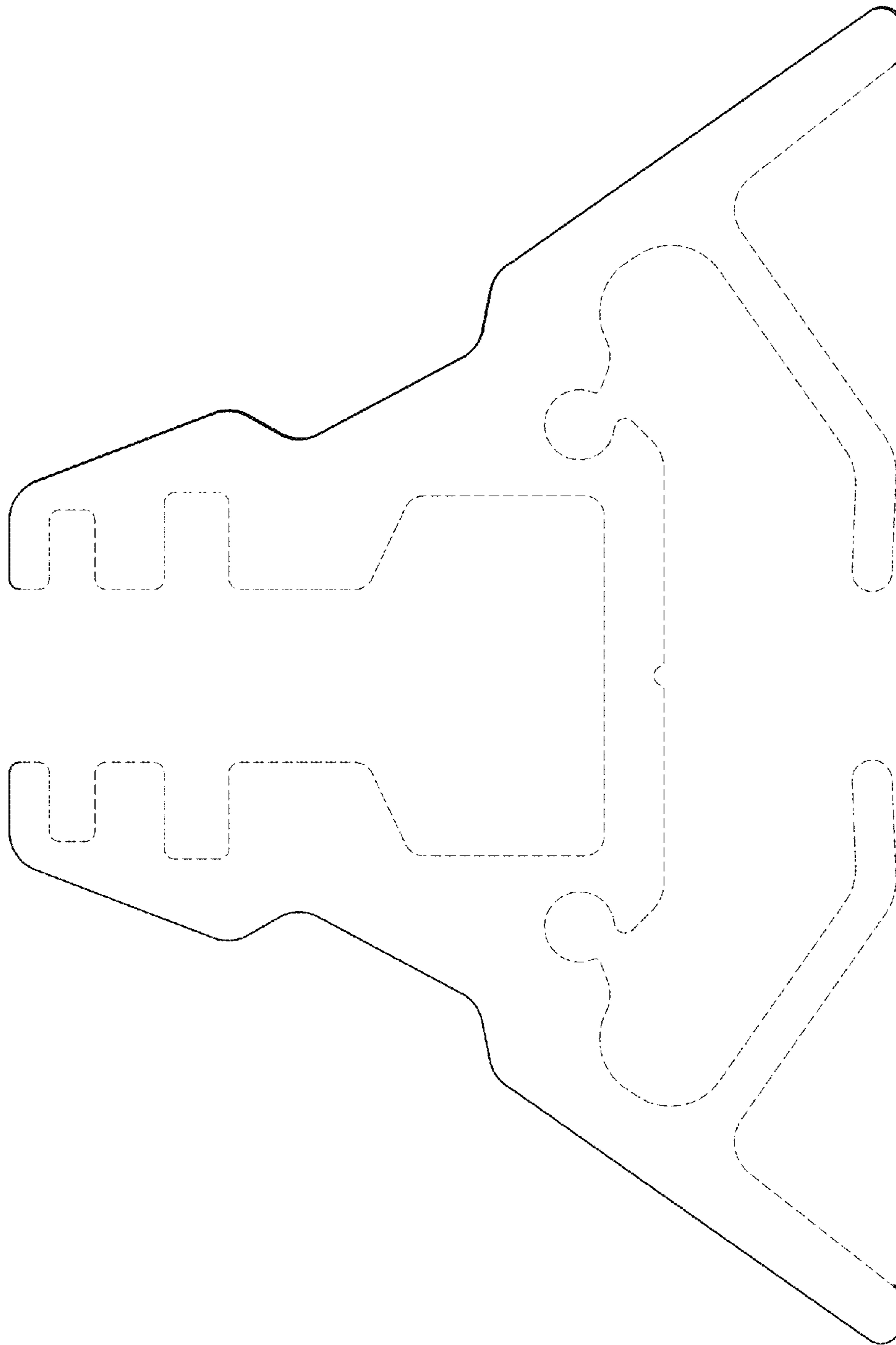


FIG. 2

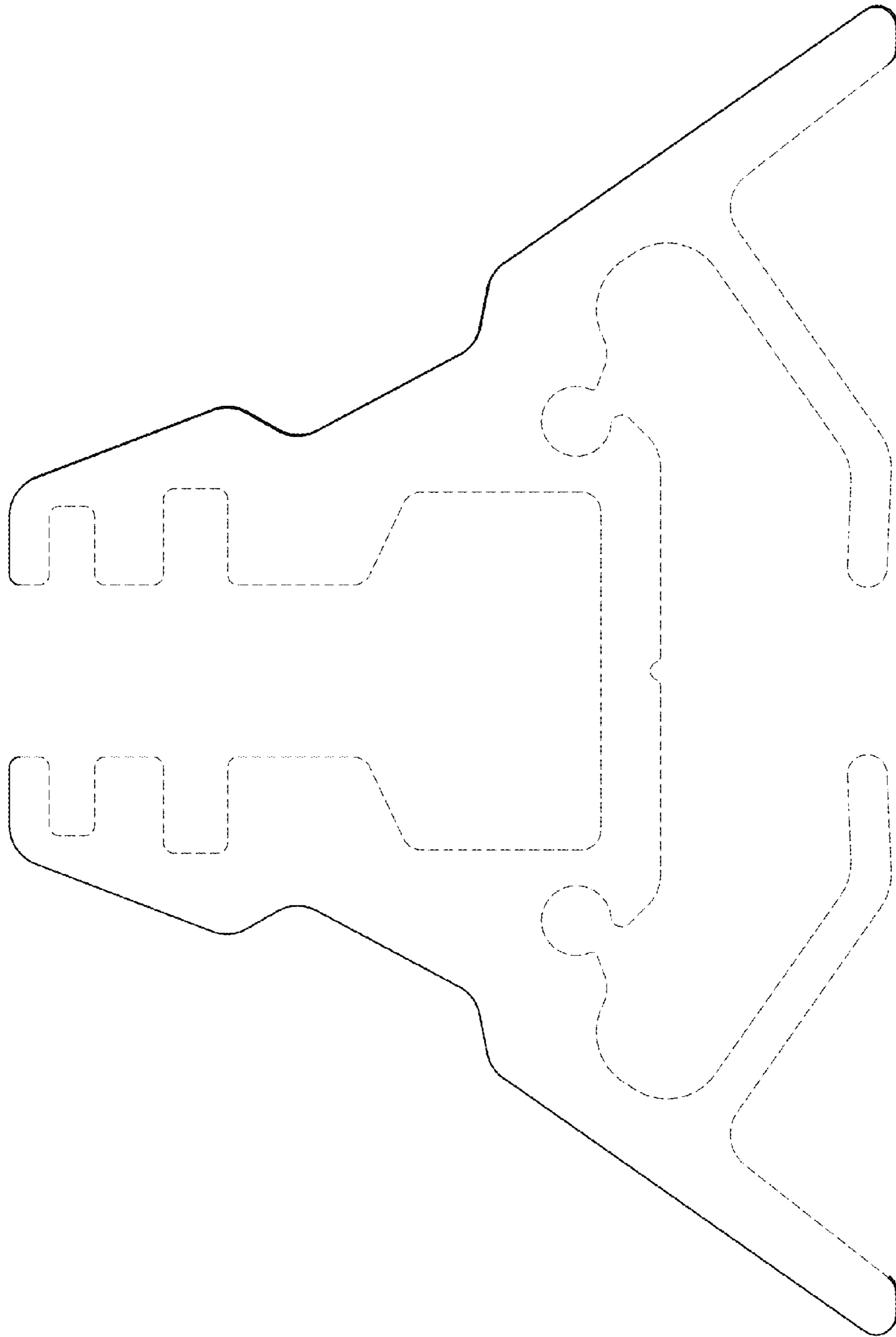


FIG. 3

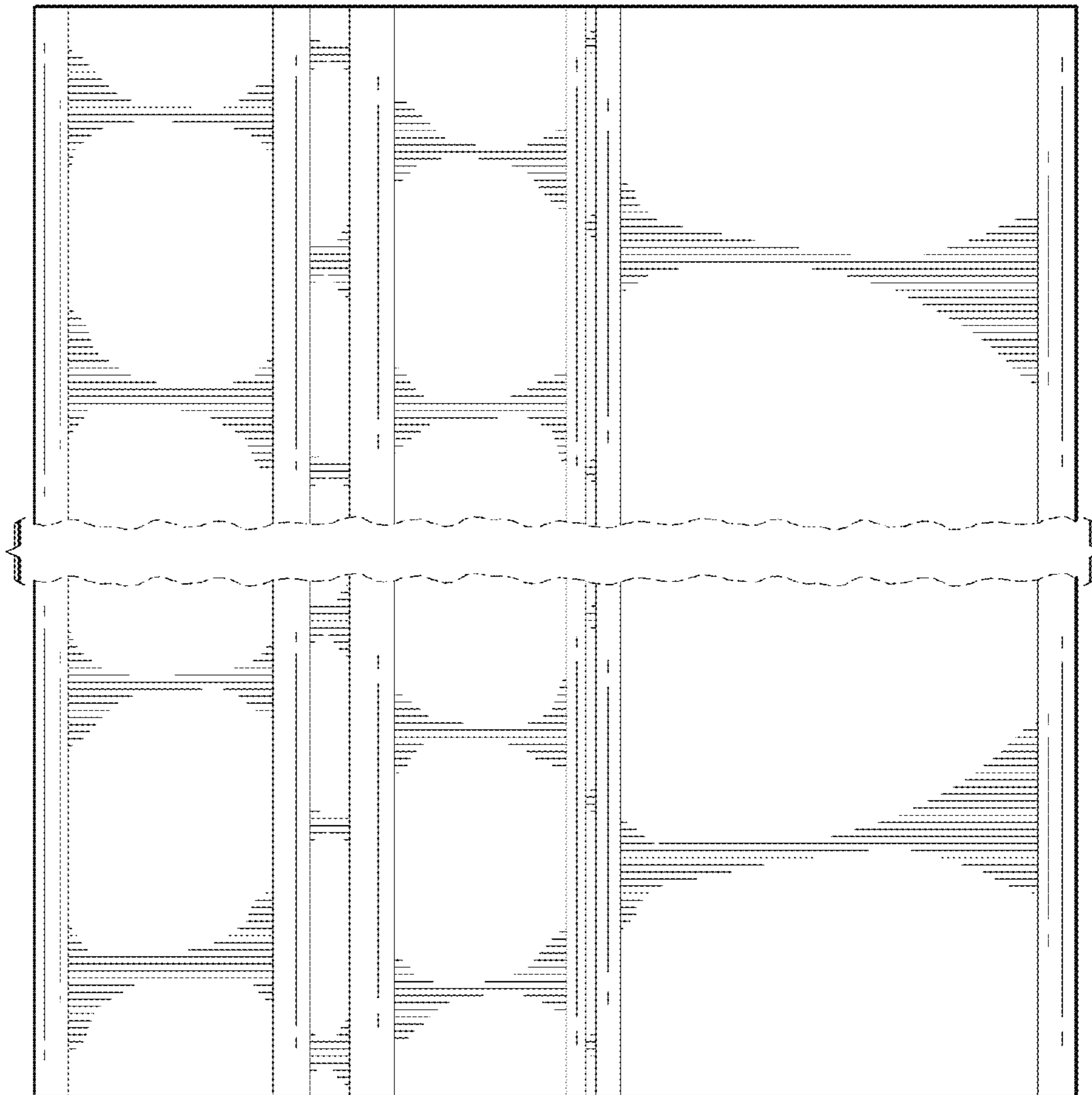


FIG. 4

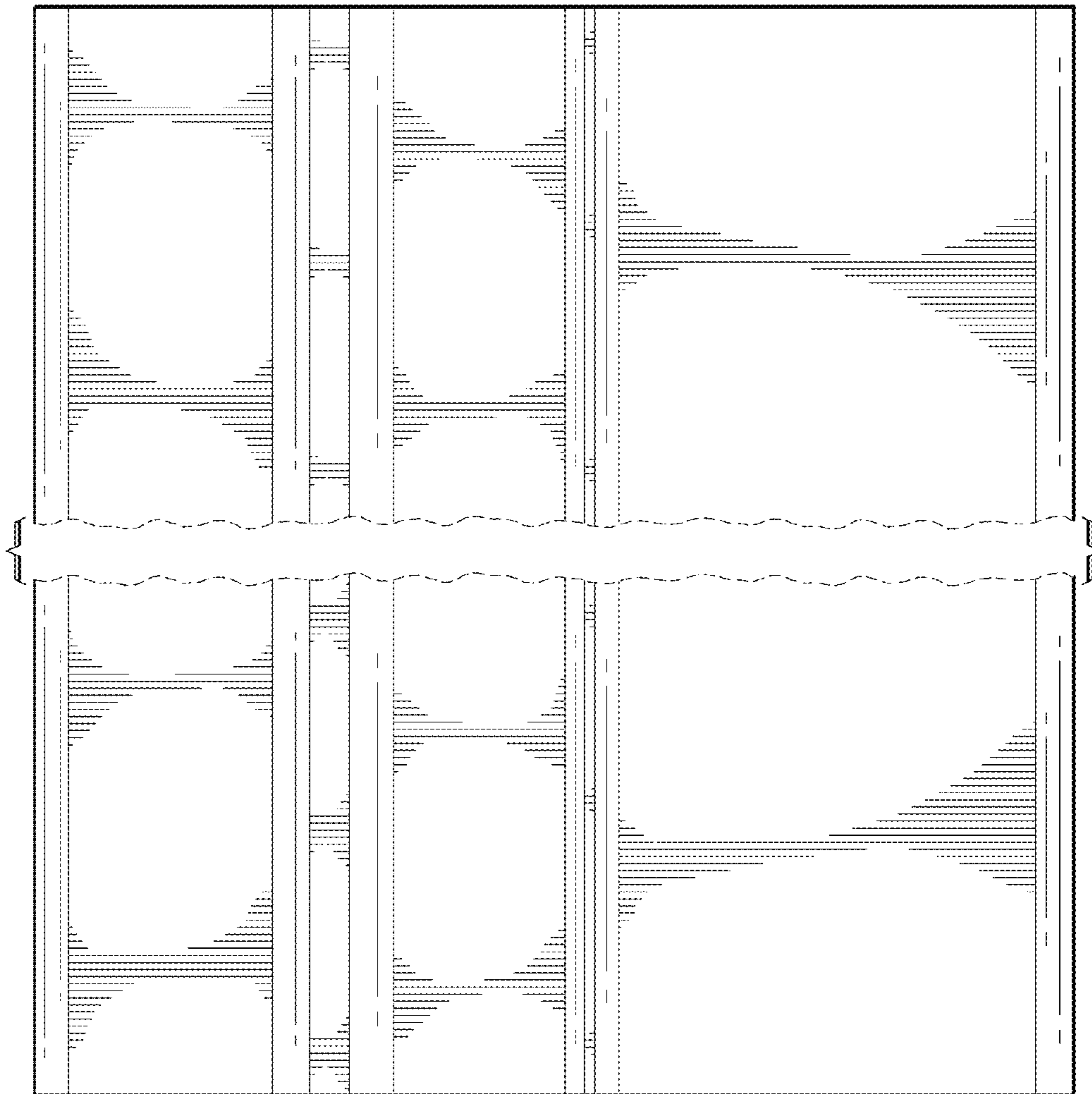


FIG. 5

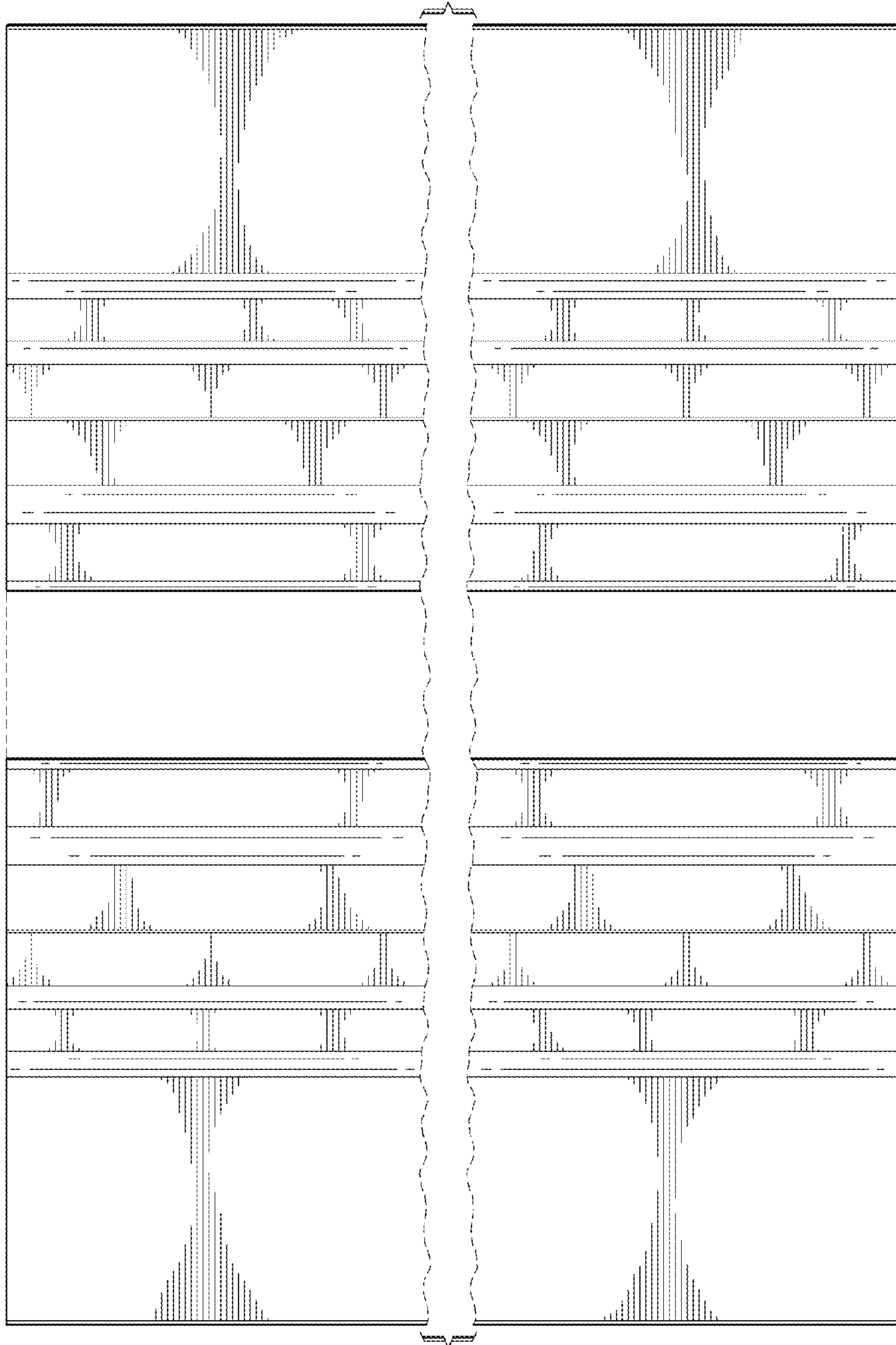


FIG. 6

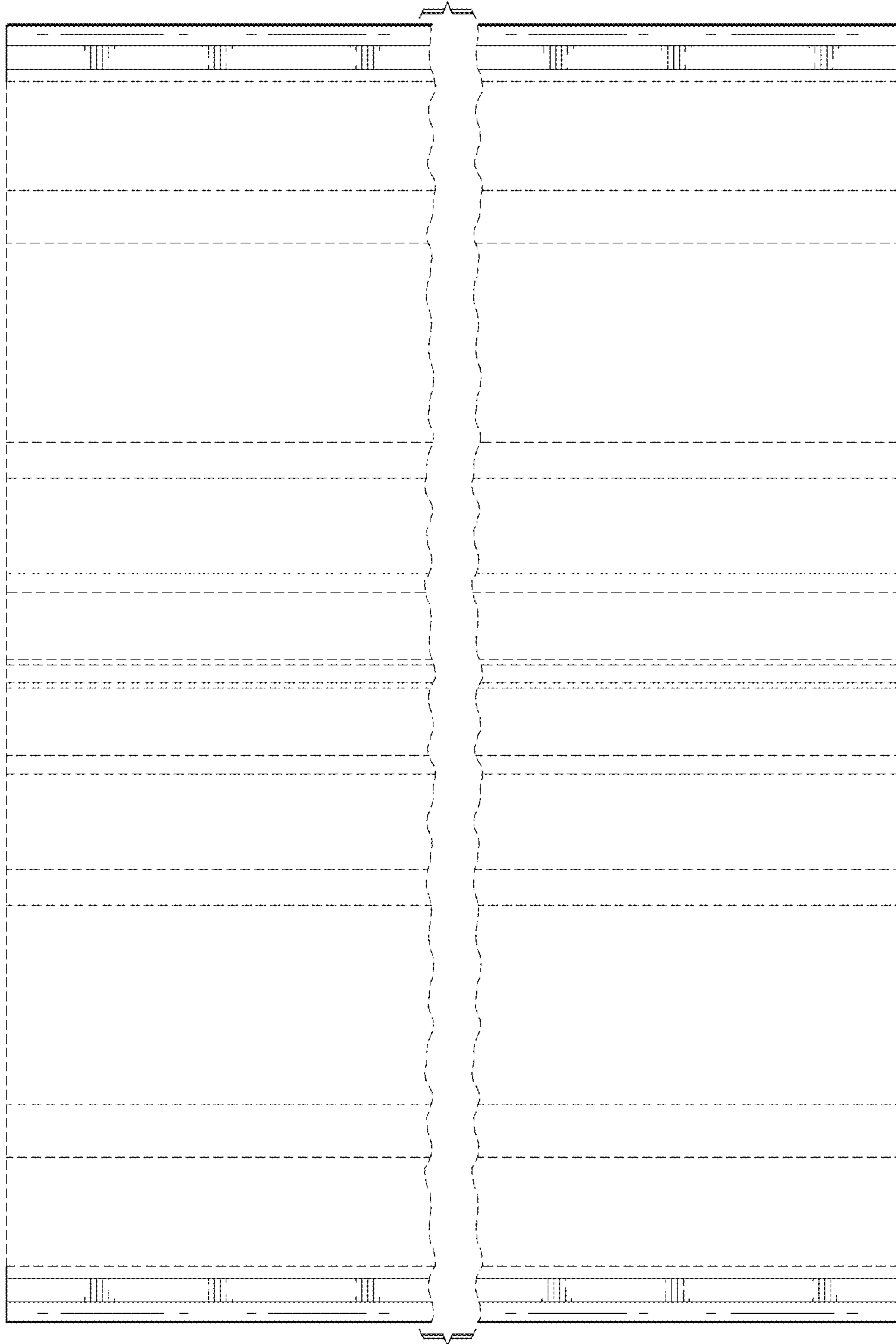


FIG. 7

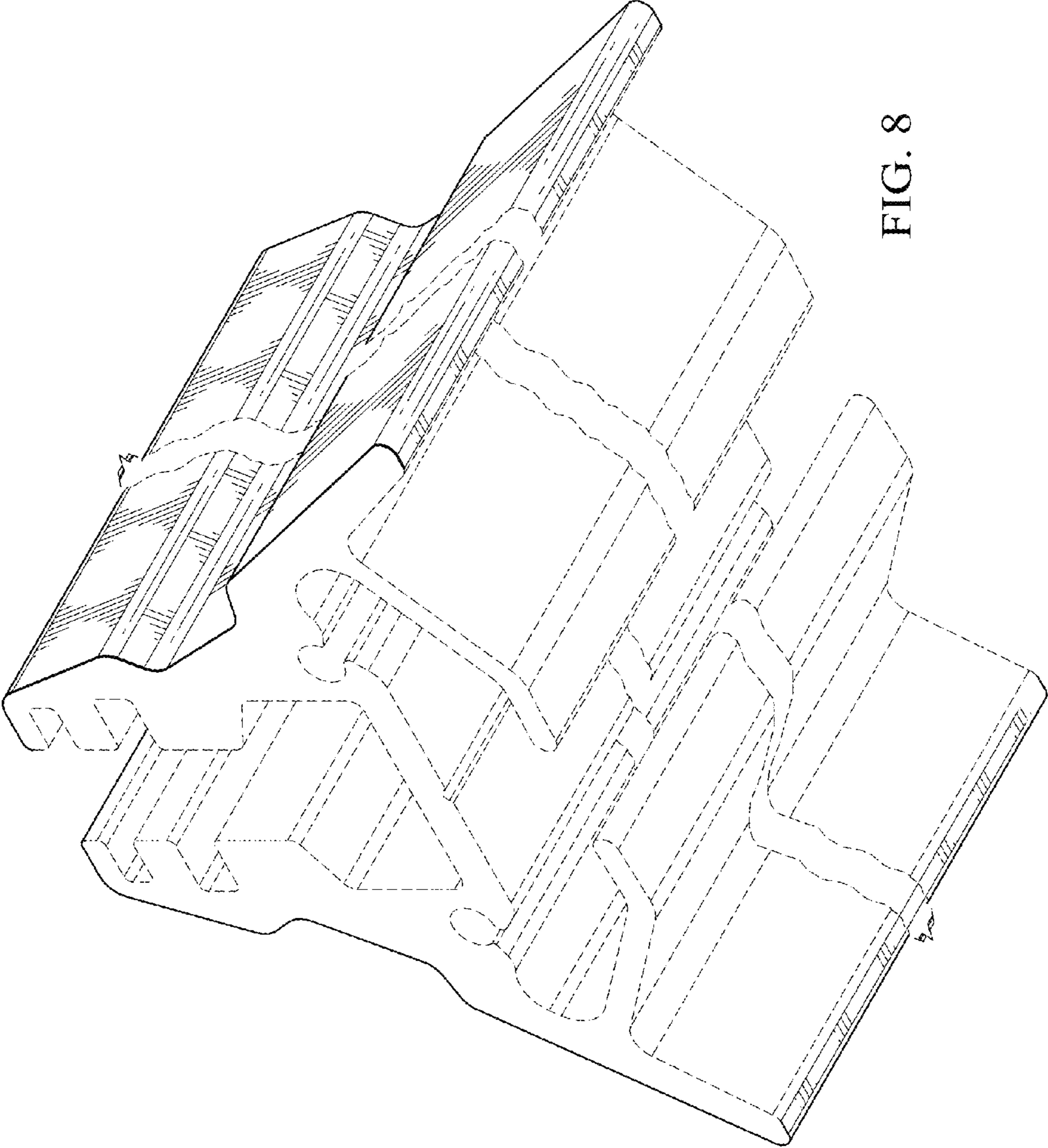


FIG. 8