

US00D764592S

(12) **United States Design Patent** (10) **Patent No.:** **US D764,592 S**
Zenoff (45) **Date of Patent:** **** Aug. 23, 2016**

(54) **CIRCULAR ELECTRONIC
SCREEN/DISPLAY WITH SUCTION CUPS
FOR MOTOR VEHICLES AND WEARABLE
DEVICES**

1,114,400 A 10/1914 Abraham
1,190,427 A 7/1916 Kromer, Jr.
1,196,823 A 9/1916 Tokutaro
1,215,311 A 2/1917 Thomas
1,222,528 A 4/1917 Leon
1,378,977 A 5/1921 Parmley

(Continued)

(71) Applicant: **Andrew Zenoff**, San Anselmo, CA
(US)

FOREIGN PATENT DOCUMENTS

(72) Inventor: **Andrew Zenoff**, San Anselmo, CA
(US)

CN 203327079 U 12/2013
WO WO-2012061438 A2 5/2012
WO WO-2014054211 A1 4/2014

(73) Assignee: **BEAM AUTHENTIC, LLC**, San
Anselmo, CA (US)

OTHER PUBLICATIONS

(**) Term: **14 Years**

U.S. Appl. No. 29/499,861, filed Aug. 19, 2014, Zenoff.
(Continued)

(21) Appl. No.: **29/500,509**

Primary Examiner — Mary Ann Calabrese

(22) Filed: **Aug. 26, 2014**

(74) *Attorney, Agent, or Firm* — Wilson Sonsini
Goodrich & Rosati

(51) **LOC (10) Cl.** **20-03**

(52) **U.S. Cl.**
USPC **D20/42**

(57) **CLAIM**

The ornamental design for a circular electronic screen/
display with suction cups for motor vehicles and wearable
devices, as shown and described.

(58) **Field of Classification Search**

USPC D20/10, 19, 39-42, 99; D10/109.1,
D10/109.2, 113.4; D6/300, 309; D12/182,
D12/183; D14/126, 374
CPC G09F 3/02; G09F 3/203; G09F 7/00;
G09F 7/12; G09F 7/14; G09F 7/16; G09F
2007/122; G09F 9/00; G09F 13/00; G09F
13/18; G09F 13/22; G09F 2013/1895;
G09F 15/00; A45D 42/24

DESCRIPTION

See application file for complete search history.

FIG. 1 shows a perspective view of a circular electronic
screen/display with suction cups for motor vehicles and
wearable devices.

FIG. 2 shows the front view of a circular electronic screen/
display with suction cups for motor vehicles and wearable
devices.

FIG. 3 shows the back view of a circular electronic screen/
display with suction cups for motor vehicles and wearable
devices.

FIG. 4 shows a side view of a circular electronic screen/
display with suction cups for motor vehicles and wearable
devices.

FIG. 5 shows the top view of a circular electronic screen/
display with suction cups for motor vehicles and wearable
devices; and,

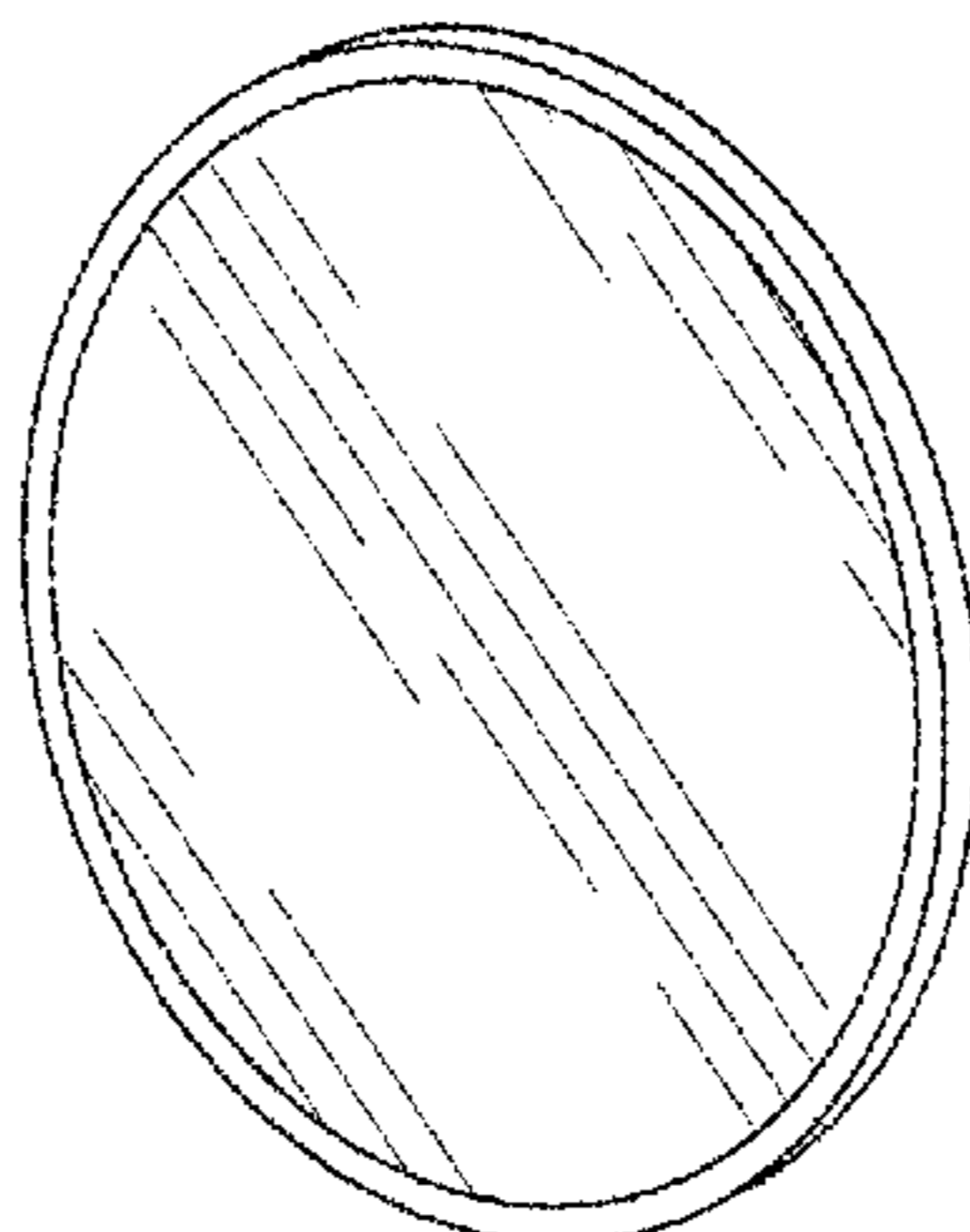
FIG. 6 shows the circular electronic screen/display with
suction cups mounted in a rear window of a motor vehicle.
In the drawings, the broken lines illustrate environment and
form no part of the claimed design.

(56) **References Cited**

U.S. PATENT DOCUMENTS

65,871 A 6/1867 Browne
168,063 A 9/1875 Taylor
175,399 A 3/1876 Wheldon et al.
175,733 A 4/1876 Myers et al.
176,714 A 4/1876 Vanhon
260,332 A 6/1882 Simonson
740,330 A 9/1903 Luther
761,601 A 5/1904 Oscar
D39,680 S 12/1908 Henby

1 Claim, 3 Drawing Sheets



(56)

References Cited

U.S. PATENT DOCUMENTS

D58,303 S	7/1921	Bartholomew	5,477,629 A	12/1995	Gleason, Jr.
1,427,891 A	9/1922	Ziegler	D367,158 S	2/1996	Baker
D62,863 S	8/1923	Strauss	D370,354 S	6/1996	Deakyne
1,481,975 A	1/1924	Bender	5,548,847 A	8/1996	Spicijaric
D64,441 S	4/1924	Cavell	5,621,914 A	4/1997	Ramone et al.
1,502,160 A	7/1924	Reinthal	5,632,044 A	5/1997	Sloot
D66,331 S	12/1924	Pegg	5,638,202 A	6/1997	Rofe
1,560,073 A	11/1925	Bontempi	D383,892 S	9/1997	Virzi
1,566,663 A	12/1925	Finkelstein	D389,754 S	1/1998	Skubala
1,582,812 A	4/1926	Avin	D391,741 S	3/1998	Baker
1,586,242 A *	5/1926	Duthie B60Q 1/34 340/458	D396,546 S	8/1998	Marrs
1,606,798 A	11/1926	Karger	D396,938 S	8/1998	Bugatti
1,616,475 A	2/1927	Tracey	D397,239 S	8/1998	Marrs
D73,128 S	7/1927	Harris	5,794,267 A	8/1998	Wallace
D79,398 S	9/1929	Wittcoff	D397,838 S	9/1998	Waggoner
1,782,414 A	11/1930	Duer	5,823,328 A	10/1998	Fomby
1,784,970 A *	12/1930	Melton A45D 42/00 40/725	D401,086 S	11/1998	Hellwig
D95,170 S	4/1935	Baumgard	D401,738 S	12/1998	Scerbo
2,094,104 A	9/1937	Lee et al.	D403,491 S	1/1999	Wyatt et al.
D115,046 S	5/1939	Marks	D405,239 S	2/1999	Kostinko
2,226,133 A	12/1940	Lee, Jr.	D406,687 S	3/1999	Thorpe
2,252,207 A	8/1941	Rodgers	D407,190 S	3/1999	Day
D130,393 S	11/1941	Maxwell et al.	5,943,698 A	8/1999	Blanks
2,298,381 A	10/1942	Horwitz	5,945,179 A	8/1999	Gautreanu
2,387,482 A	10/1945	Vineberg	5,960,476 A	10/1999	Danzy
2,440,407 A	4/1948	Kuenstner	D417,063 S	11/1999	Henning
2,445,922 A	7/1948	Ostolaza et al.	D418,279 S	1/2000	Day
D162,354 S *	3/1951	Smith D20/10	6,012,172 A	1/2000	Steffy
2,604,807 A	7/1952	Woodburn	6,022,599 A	2/2000	Rietveld et al.
2,682,667 A	7/1954	Michelstetter	D424,282 S	5/2000	Crumpton et al.
2,776,435 A	1/1957	Trimpert	D427,751 S	7/2000	Richlin
2,839,860 A	6/1958	Fry	6,154,992 A	12/2000	Lee
D193,829 S	10/1962	Van-Den-Berg	D436,991 S	1/2001	Morgante
3,346,153 A	10/1967	Galasso	D438,374 S	3/2001	Hayman
3,556,115 A	1/1971	Benson	D441,191 S	5/2001	Vazquez
D221,719 S	8/1971	Hoskins	D444,618 S	7/2001	Wilson
D231,356 S *	4/1974	Kurz D23/393	D447,318 S	9/2001	Gath
3,895,797 A	7/1975	Moore	6,308,445 B1	10/2001	Porraro
3,959,826 A	6/1976	Hakanson	D452,767 S	1/2002	Balloni et al.
D251,336 S	3/1979	Getgey	D453,610 S	2/2002	Lee
D255,397 S	6/1980	Button	6,370,696 B1	4/2002	Kronenberger
D263,092 S	2/1982	Fay	D459,059 S	6/2002	Park
4,529,278 A	7/1985	Nugent	D459,094 S *	6/2002	Stone D6/309
4,535,478 A	8/1985	Zuefle	6,408,443 B1	6/2002	Park
4,611,355 A	9/1986	Galanto et al.	D460,604 S	7/2002	Sullivan, Jr.
4,636,047 A	1/1987	Green	6,470,499 B1	10/2002	Joiner
4,671,003 A	6/1987	Vitol	D470,450 S	2/2003	Olzak
D292,044 S	9/1987	Billiet	D472,695 S	4/2003	Lee
4,710,981 A	12/1987	Sanchez	D473,039 S	4/2003	Erspamer
4,827,384 A	5/1989	Von Schlemmer	6,588,021 B2	7/2003	Kronenberger
4,834,688 A	5/1989	Jones	D478,710 S	8/2003	Yan
4,873,726 A	10/1989	Tapia	D482,185 S	11/2003	Park
4,924,613 A	5/1990	Levin	6,643,847 B1	11/2003	Dornak
5,054,127 A	10/1991	Zevchak	D483,173 S	12/2003	Harris et al.
5,070,545 A	12/1991	Tapia	D483,928 S	12/2003	Mansell et al.
5,099,594 A	3/1992	Reas et al.	6,672,748 B2	1/2004	Baldwin
5,102,129 A	4/1992	Roberts	D487,329 S	3/2004	Prinz
5,131,177 A *	7/1992	Sy, Jr. G09F 3/203 40/591	6,751,805 B1	6/2004	Austion
5,167,559 A	12/1992	Power-Fardy	D494,745 S	8/2004	Kronenberger
D333,030 S	2/1993	Wilkes	D496,146 S	9/2004	Appleberry
5,253,368 A	10/1993	Blake	D496,775 S	10/2004	Tanner
D341,712 S	11/1993	Fulcher	D497,648 S	10/2004	Carlson
5,305,538 A	4/1994	Kanzelberger	6,810,533 B1	11/2004	Nahabedian et al.
D347,102 S	5/1994	Strasner	6,820,281 B2	11/2004	Mariland et al.
D350,221 S	9/1994	Van Doren	D502,589 S	3/2005	Lee
5,359,733 A	11/1994	Brannon et al.	D509,947 S	9/2005	Fortune
5,437,062 A	8/1995	Douglas	6,948,189 B2	9/2005	Early
5,452,479 A	9/1995	Mostert	D517,283 S	3/2006	Shin et al.
5,454,120 A	10/1995	Rowlands	D522,559 S	6/2006	Naito et al.
5,462,471 A	10/1995	Power-Fardy	D523,612 S	6/2006	Steger
5,465,426 A	11/1995	Beaton	D539,012 S	3/2007	Evans
5,476,194 A	12/1995	Hippely et al.	D543,014 S	5/2007	Sharpe et al.
			D543,338 S	5/2007	Park
			7,219,374 B2	5/2007	Cho
			D548,657 S *	8/2007	Eskandry D12/183
			D558,427 S	1/2008	Solin
			D558,431 S	1/2008	Pritchett
			D558,955 S	1/2008	Taylor
			7,331,064 B1	2/2008	Quintal

(56)

References Cited

U.S. PATENT DOCUMENTS

7,424,751 B1	9/2008	Miller		8,905,560 B1 *	12/2014	Zadro	A45D 42/14 248/467
D577,879 S	10/2008	Jones		D721,874 S	2/2015	Robbins et al.	
D580,184 S *	11/2008	Svendsen	D6/309	8,950,012 B2	2/2015	Ilges et al.	
7,490,364 B2	2/2009	Kim		D727,150 S	4/2015	Leitch et al.	
D600,879 S	9/2009	Accardi		D729,650 S	5/2015	Phillips et al.	
D603,144 S	11/2009	South		D730,563 S *	5/2015	Renshaw	D26/89
D603,585 S	11/2009	Capriola		D733,130 S	6/2015	Kim et al.	
7,621,000 B1	11/2009	Fulton		D734,329 S	7/2015	Lee	
D606,284 S	12/2009	Caten et al.		D736,495 S	8/2015	Bednarz	
D607,627 S	1/2010	Kowalczyk		D736,768 S	8/2015	Kuwabara et al.	
D608,531 S	1/2010	Kronenberger		D736,993 S *	8/2015	Wang	D26/124
D613,037 S	4/2010	Iamartino et al.		D738,071 S	9/2015	Kamhi et al.	
D617,636 S	6/2010	Vanhoutte		D739,403 S	9/2015	David et al.	
D619,336 S	7/2010	Eyl		9,161,584 B1	10/2015	Garrett, Jr.	
D619,789 S	7/2010	Barany		D743,149 S	11/2015	Brandelli	
D621,590 S	8/2010	Martin		D745,251 S	12/2015	Bednarz	
D624,286 S	9/2010	Hall		D745,252 S	12/2015	Bednarz	
D625,082 S	10/2010	Jones		D746,283 S	12/2015	Cha et al.	
D629,183 S	12/2010	Adams et al.		D748,091 S	1/2016	Akana et al.	
D630,822 S	1/2011	Thomas		D748,379 S	2/2016	Fitzpatrick et al.	
D635,336 S	4/2011	Alger		D751,794 S	3/2016	Zenoff	
D635,743 S	4/2011	Johnson		D751,795 S	3/2016	Zenoff	
D635,976 S	4/2011	Lee et al.		D751,796 S	3/2016	Gewirz et al.	
D636,562 S	4/2011	Lam et al.		D754,422 S	4/2016	Andrew	
7,926,122 B1	4/2011	Countryman		2001/0034894 A1	11/2001	Godfrey et al.	
7,974,432 B1	7/2011	Ryan		2003/0073412 A1	4/2003	Meade et al.	
7,992,224 B2	8/2011	Tai		2003/0221234 A1	12/2003	Wang	
D647,286 S	10/2011	Malek		2004/0221368 A1	11/2004	Okot	
D647,689 S	11/2011	Girbaud et al.		2005/0132470 A1	6/2005	Wong	
D649,040 S	11/2011	Sanders		2005/0214495 A1	9/2005	Thiebaut	
D649,744 S	12/2011	Weinshanker		2006/0112707 A1	6/2006	Tu	
D653,017 S	1/2012	Hamlin		2006/0117458 A1	6/2006	Ishihara et al.	
D654,251 S	2/2012	Alkas-Shamoun		2006/0206985 A1	9/2006	Proctor	
D655,601 S	3/2012	Daley et al.		2006/0209218 A1	9/2006	Lee et al.	
D657,424 S	4/2012	Podd		2006/0249404 A1	11/2006	Adams	
D658,603 S	5/2012	Egawa et al.		2007/0056078 A1	3/2007	Tseng	
D658,899 S *	5/2012	Zadro	D6/309	2007/0143906 A1	6/2007	Renteria	
D659,351 S	5/2012	Benkendorfer		2007/0182664 A1	8/2007	Himmele	
D660,554 S	5/2012	Blackshear		2007/0247312 A1	10/2007	Sekine	
D661,061 S	6/2012	Eveleth		2007/0256213 A1	11/2007	Dunavin	
D661,063 S	6/2012	Eveleth		2008/0000013 A1	1/2008	Talley	
D661,446 S	6/2012	Davis		2009/0084009 A1 *	4/2009	Vandergriff	G09F 15/00 40/546
D670,068 S	11/2012	Bomze		2009/0251888 A1	10/2009	Douglas	
D670,892 S	11/2012	Epstein		2009/0306485 A1	12/2009	Bell	
D671,716 S	12/2012	Lam et al.		2009/0310290 A1	12/2009	Tennent	
D672,294 S	12/2012	Thompson		2010/0058514 A1	3/2010	Koh	
8,364,220 B2	1/2013	Sandmore		2010/0095573 A1	4/2010	Lifshitz	
D681,867 S	5/2013	Wegger et al.		2010/0100004 A1	4/2010	Van Someren	
8,453,265 B2	6/2013	Forté et al.		2010/0131613 A1	5/2010	Jonsson et al.	
8,458,820 B2	6/2013	Cleva		2010/0299979 A1	12/2010	Lamere	
D693,099 S	11/2013	Purdy		2010/0306808 A1	12/2010	Neumeier et al.	
8,626,586 B1	1/2014	Biere et al.		2010/0313334 A1	12/2010	Moy	
D699,928 S	2/2014	Tien		2011/0041238 A1	2/2011	Brzoska	
D701,504 S	3/2014	Christopher et al.		2011/0088715 A1	4/2011	Lee et al.	
8,677,515 B2	3/2014	Ishihara et al.		2011/0094016 A1	4/2011	Paulson	
D702,928 S	4/2014	White		2011/0187681 A1	8/2011	Kim et al.	
D703,069 S	4/2014	Adams et al.		2011/0246908 A1	10/2011	Akram et al.	
D704,925 S	5/2014	Cho		2011/0295749 A1	12/2011	Scalisi	
D705,527 S	5/2014	Clark		2012/0005809 A1	1/2012	Johnson	
D708,427 S	7/2014	Cho		2012/0089437 A1	4/2012	Amento et al.	
D709,675 S	7/2014	Cho		2012/0163269 A1	6/2012	Shuster et al.	
D710,220 S	8/2014	Daniel		2012/0198600 A1	8/2012	Niazi	
D710,569 S	8/2014	Pelengaris		2012/0210616 A1	8/2012	Laraque	
D711,002 S	8/2014	Ohnemus et al.		2012/0256902 A1	10/2012	Tam et al.	
D711,874 S *	8/2014	Cope	D14/374	2012/0264492 A1	10/2012	Stewart	
D712,635 S	9/2014	Rivas		2012/0324076 A1	12/2012	Zerr et al.	
D713,622 S	9/2014	Steel		2013/0188322 A1	7/2013	Lowe et al.	
D714,031 S	9/2014	Javits, Jr.		2013/0222270 A1	8/2013	Winkler et al.	
D716,078 S	10/2014	Theisen et al.		2013/0333095 A1	12/2013	Dudick	
8,869,312 B2	10/2014	Tuohy et al.		2014/0053316 A1	2/2014	Su	
D716,528 S	11/2014	Badish		2014/0098009 A1	4/2014	Prest et al.	
D717,019 S	11/2014	Van Dalen		2014/0111323 A1	4/2014	Strout et al.	
D718,731 S	12/2014	Lee et al.		2014/0121539 A1	5/2014	Chatterjee et al.	
8,898,820 B2	12/2014	Sokolowski et al.		2014/0160055 A1	6/2014	Margolis et al.	
				2014/0173807 A1	6/2014	Waters	
				2014/0176417 A1	6/2014	Young et al.	
				2015/0033445 A1	2/2015	Warner et al.	

(56)

References Cited

U.S. PATENT DOCUMENTS

2015/0096104 A1 4/2015 Kim
 2015/0146903 A1 5/2015 Mariasov
 2015/0164166 A1 6/2015 Tsai
 2015/0250245 A1 9/2015 Waters
 2015/0312975 A1 10/2015 Tischler et al.
 2016/0019821 A1 1/2016 Haddad

OTHER PUBLICATIONS

U.S. Appl. No. 29/499,864, filed Aug. 19, 2014, Zenoff.
 U.S. Appl. No. 29/499,867, filed Aug. 19, 2014, Zenoff.
 U.S. Appl. No. 29/499,866, filed Aug. 19, 2014, Zenoff.
 U.S. Appl. No. 29/500,139, filed Aug. 21, 2014, Zenoff.
 U.S. Appl. No. 29/500,381, filed Aug. 25, 2014, Zenoff.
 U.S. Appl. No. 29/500,384, filed Aug. 25, 2014, Zenoff.
 U.S. Appl. No. 29/500,387, filed Aug. 25, 2014, Zenoff.
 U.S. Appl. No. 29/500,391, filed Aug. 25, 2014, Zenoff.
 U.S. Appl. No. 29/500,393, filed Aug. 25, 2014, Zenoff.
 U.S. Appl. No. 29/500,399, filed Aug. 25, 2014, Zenoff.
 U.S. Appl. No. 29/500,405, filed Aug. 25, 2014, Zenoff.
 U.S. Appl. No. 29/500,407, filed Aug. 25, 2014, Zenoff.
 U.S. Appl. No. 29/500,408, filed Aug. 25, 2014, Zenoff.
 U.S. Appl. No. 29/500,504, filed Aug. 26, 2014, Zenoff.
 U.S. Appl. No. 29/500,506, filed Aug. 26, 2014, Zenoff.
 U.S. Appl. No. 29/500,512, filed Aug. 26, 2014, Zenoff.
 U.S. Appl. No. 29/500,514, filed Aug. 26, 2014, Zenoff.
 U.S. Appl. No. 29/500,546, filed Aug. 26, 2014, Zenoff.
 U.S. Appl. No. 29/500,551, filed Aug. 26, 2014, Zenoff.
 U.S. Appl. No. 29/500,553, filed Aug. 26, 2014, Zenoff.
 U.S. Appl. No. 29/500,555, filed Aug. 26, 2014, Zenoff.
 U.S. Appl. No. 29/500,557, filed Aug. 26, 2014, Zenoff.
 U.S. Appl. No. 29/500,558, filed Aug. 26, 2014, Zenoff.
 U.S. Appl. No. 29/500,562, filed Aug. 26, 2014, Zenoff.
 U.S. Appl. No. 29/500,564, filed Aug. 26, 2014, Zenoff.
 alibaba.com. Mobile billboard advertising led truck new technology product in china mobile truck led tv screen. Available at http://www.alibaba.com/product-detail/mobile-billboard-advertising-led-truck-new_60181386676.html. Accessed on Jul. 24, 2015.
 webbozz.com. Stylish Circular Display Smart Watch—Motorola Moto 360. Feb. 2013. Available at <http://www.webbozz.com/stylish-circular-display-smart-watch-motorola-moto-360>. Accessed on Jul. 23, 2015.
 Ex parte Quayle Office action dated Dec. 3, 2015 for U.S. Appl. No. 29/500,562.

Notice of allowance dated Nov. 6, 2015 for U.S. Appl. No. 29/500,393.
 Notice of allowance dated Nov. 6, 2015 for U.S. Appl. No. 29/500,399.
 Notice of allowance dated Nov. 24, 2015 for U.S. Appl. No. 29/499,866.
 Office action dated Oct. 7, 2015 for U.S. Appl. No. 29/500,564.
 Office action dated Oct. 8, 2015 for U.S. Appl. No. 29/500,405.
 Office action dated Oct. 28, 2015 for U.S. Appl. No. 29/500,514.
 Office action dated Nov. 5, 2015 for U.S. Appl. No. 29/500,407.
 Office action dated Nov. 9, 2015 for U.S. Appl. No. 29/500,408.
 Office action dated Nov. 12, 2015 for U.S. Appl. No. 29/499,864.
 Office action dated Nov. 16, 2015 for U.S. Appl. No. 29/499,867.
 Office action dated Nov. 19, 2015 for U.S. Appl. No. 29/499,861.
 Office action dated Nov. 23, 2015 for U.S. Appl. No. 29/500,557.
 Office action dated Nov. 24, 2015 for U.S. Appl. No. 29/500,139.
 Ex Parte Quayle Action dated Feb. 17, 2016 for U.S. Appl. No. 29/500,551.
 Ex Parte Quayle action dated Feb. 17, 2016 for U.S. Appl. No. 29/500,553.
 Notice of allowance dated Feb. 3, 2016 for U.S. Appl. No. 29/500,504.
 Notice of allowance dated Mar. 3, 2016 for U.S. Appl. No. 29/500,555.
 Office action dated Feb. 12, 2016 for U.S. Appl. No. 29/500,506.
 Office action dated Feb. 19, 2016 for U.S. Appl. No. 29/500,512.
 Office action dated Feb. 22, 2016 for U.S. Appl. No. 29/500,558.
 Office action dated Mar. 14, 2016 for U.S. Appl. No. 29/500,546.
 Notice of allowance dated Apr. 25, 2016 for U.S. Appl. No. 29/500,384 of inventor Andrew Zenoff.
 Notice of allowance dated Apr. 27, 2016 for U.S. Appl. No. 29/500,387 of inventor Andrew Zenoff.
 Notice of allowance dated Apr. 27, 2016 for U.S. Appl. No. 29/500,391 of inventor Andrew Zenoff.
 Notice of allowance dated Apr. 25, 2016 for U.S. Appl. No. 29/500,381 of inventor Andrew Zenoff.
 Office action dated Apr. 20, 2016 for U.S. Appl. No. 29/500,564 of inventor Andrew Zenoff.
 Notice of allowance dated Jun. 15, 2016 for U.S. Appl. No. 29/500,555 of inventor Andrew Zenoff.
 Notice of allowance dated Jun. 22, 2016 for U.S. Appl. No. 29/500,384 of inventor Andrew Zenoff.
 Notice of allowance dated Jun. 22, 2016 for U.S. Appl. No. 29/500,387 of inventor Andrew Zenoff.
 Notice of allowance dated Jun. 22, 2016 for U.S. Appl. No. 29/500,391 of inventor Andrew Zenoff.

* cited by examiner

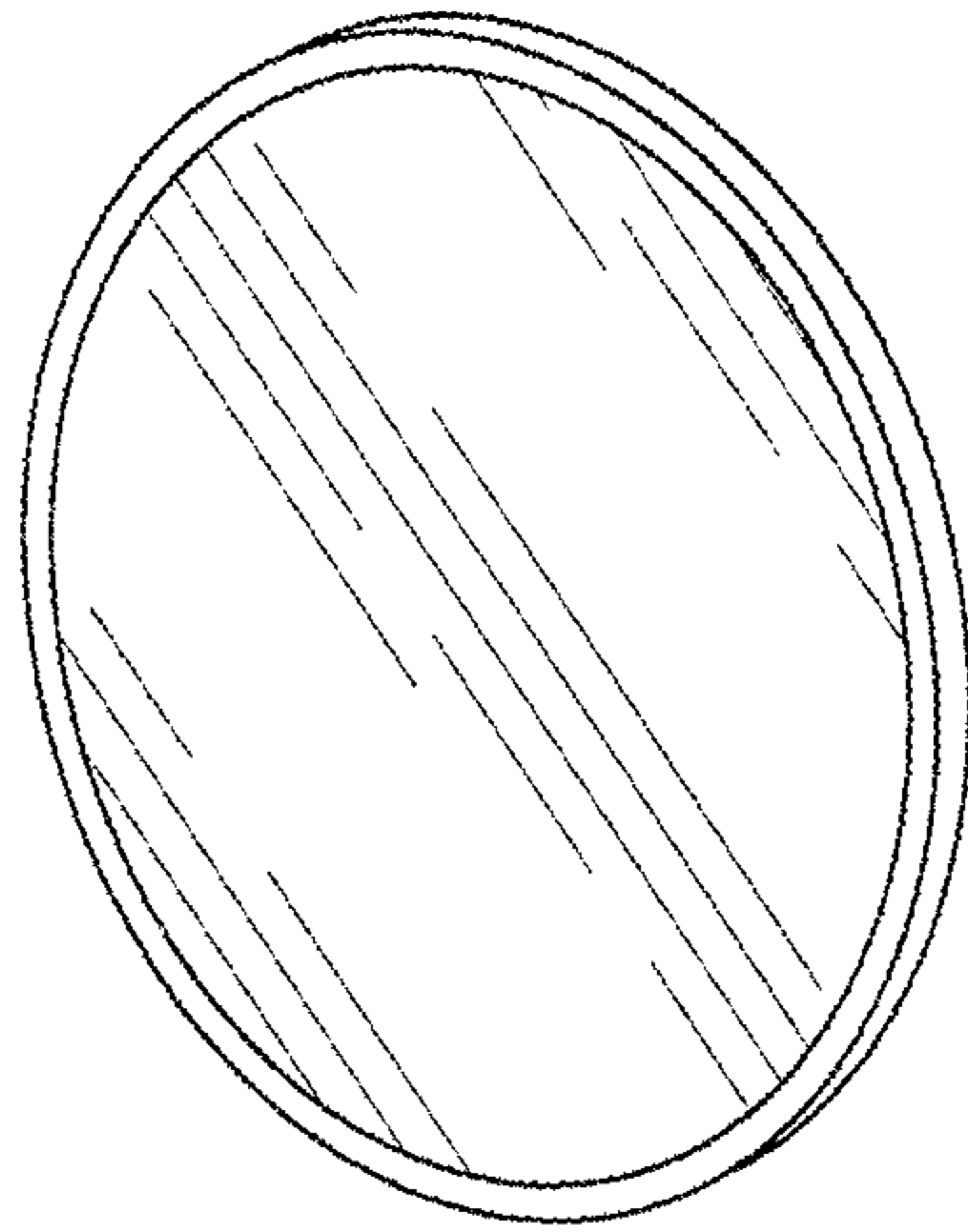


FIG. 1

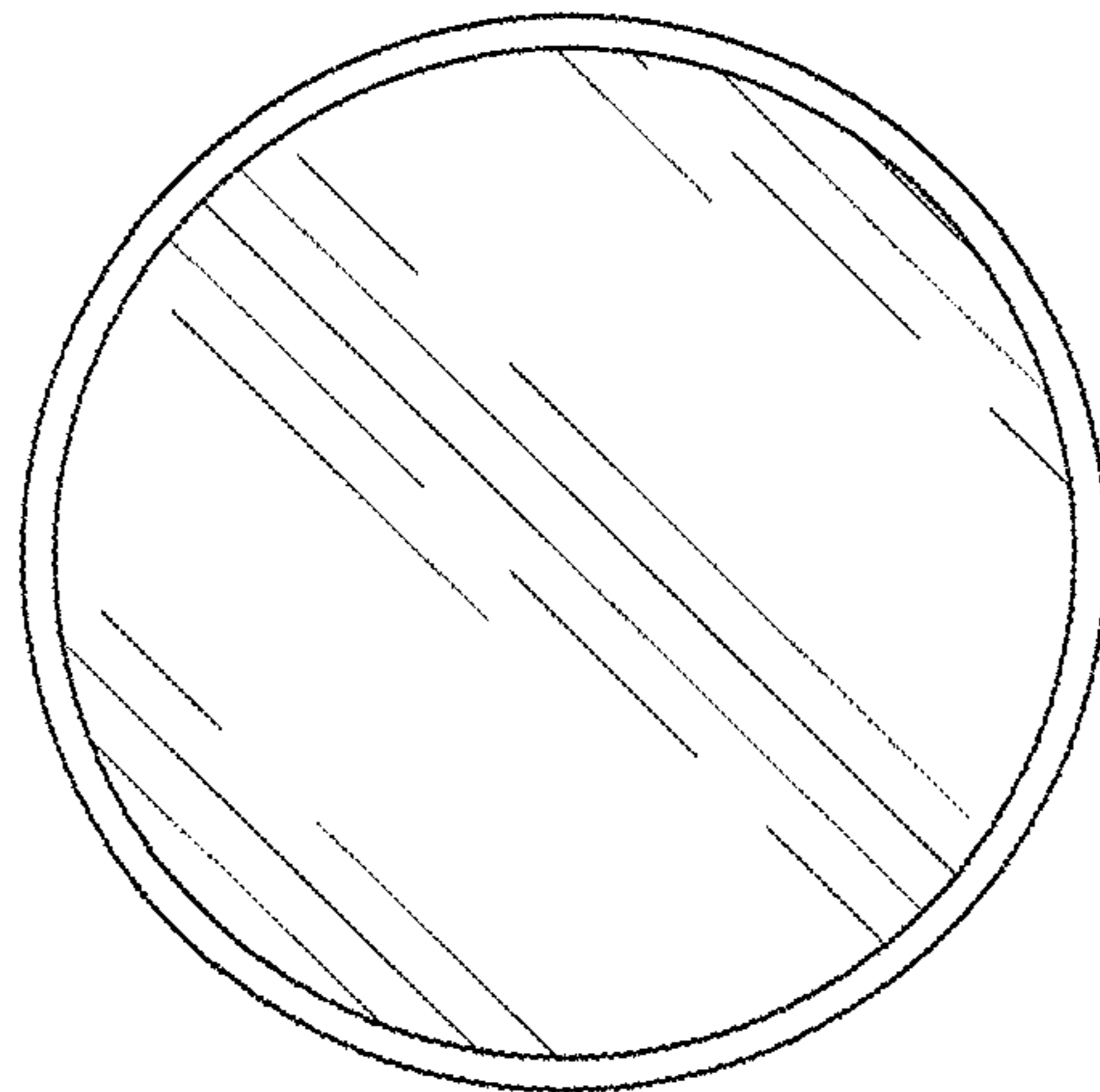


FIG. 2

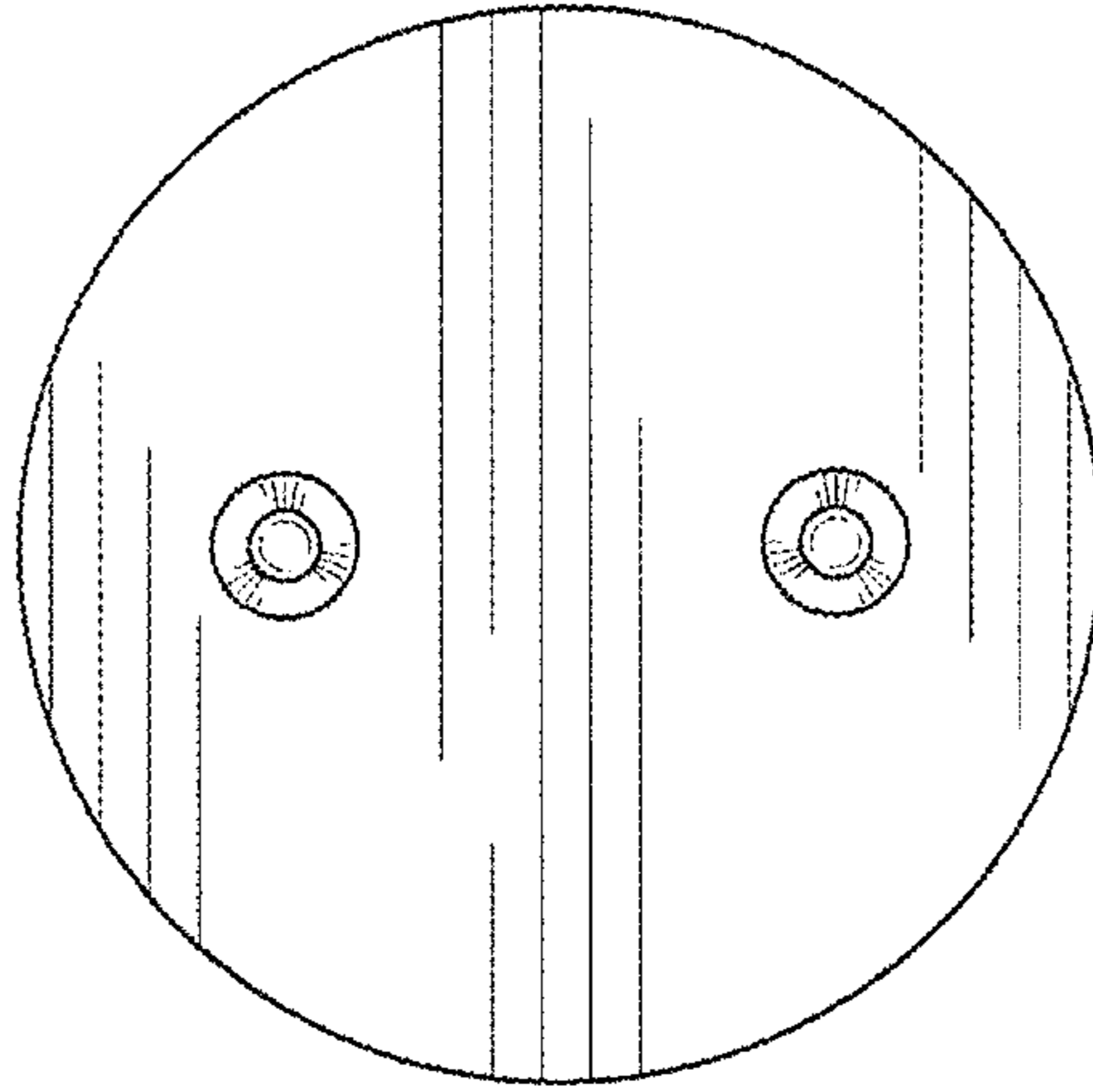


FIG. 3



FIG. 4



FIG. 5

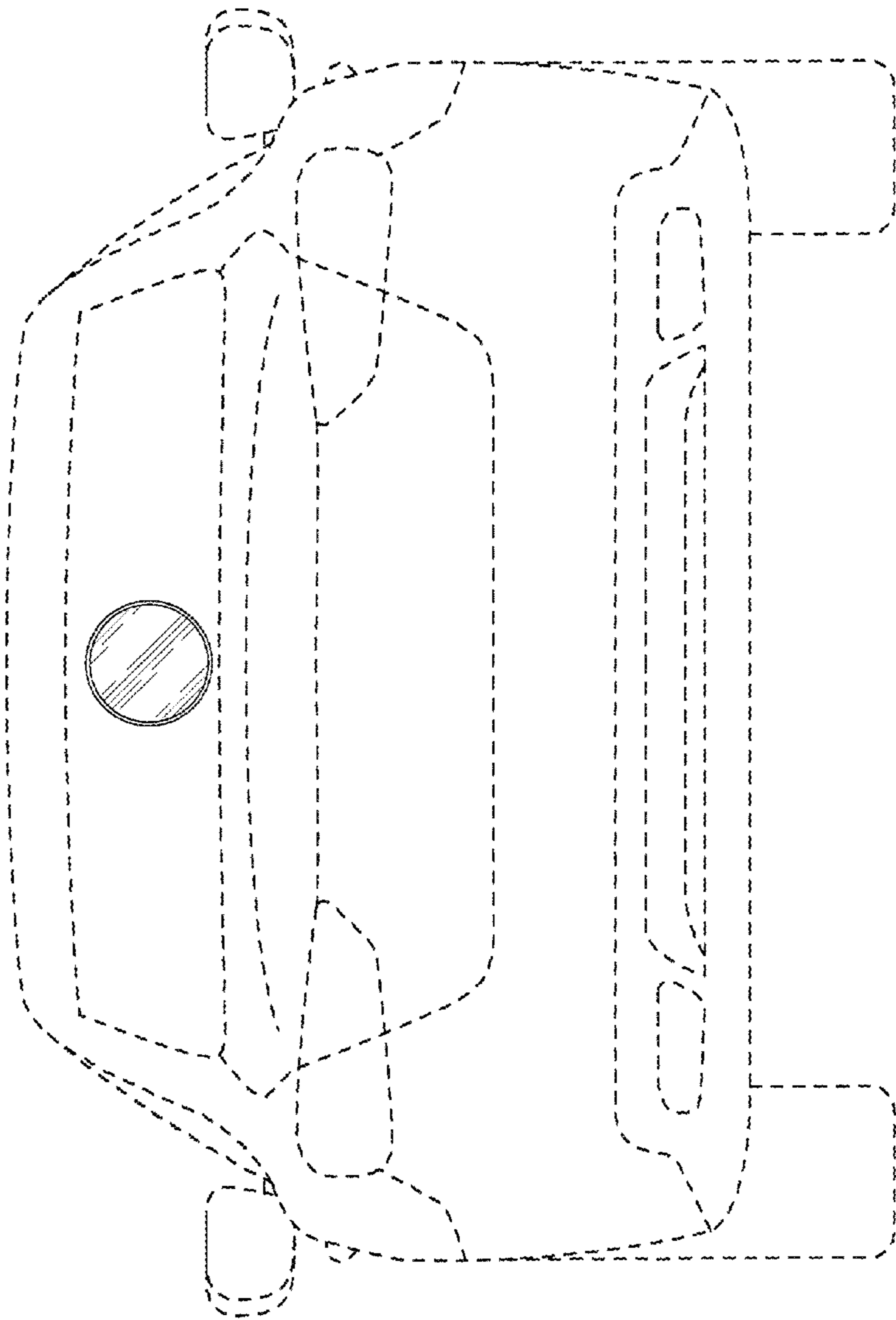


FIG. 6