



US00D764589S

(12) **United States Design Patent**  
**Lehmann et al.**

(10) **Patent No.:** **US D764,589 S**  
(45) **Date of Patent:** **\*\* Aug. 23, 2016**

(54) **STAMP HOUSING**

- (71) Applicant: **Adminimum AG**, St. Niklausen (CH)
- (72) Inventors: **Annette Lehmann**, St. Niklausen (CH);  
**Mario Tronza**, Bienne (CH)
- (73) Assignee: **ADMINIMUM AG**, St. Niklausen (CH)
- (\*\*) Term: **15 Years**
- (21) Appl. No.: **29/545,513**
- (22) Filed: **Nov. 13, 2015**

**Related U.S. Application Data**

- (62) Division of application No. 29/472,990, filed on Nov. 18, 2013, now Pat. No. Des. 750,170.

(30) **Foreign Application Priority Data**

May 17, 2013 (CH) ..... 1399/18

- (51) **LOC (10) Cl.** ..... **19-02**

- (52) **U.S. Cl.**  
USPC ..... **D19/67**

(58) **Field of Classification Search**

USPC ..... D19/70, 69, 36, 68; 242/588.6, 588.2;  
225/77, 6, 56, 39, 26, 25, 19, 11, 34;  
206/411; 156/577, 527, 523  
CPC ..... B65H 35/0026; B65H 35/0073; B65H  
35/0033; B65H 35/007; B26F 3/02  
See application file for complete search history.

(56) **References Cited**

**U.S. PATENT DOCUMENTS**

D144,391 S 4/1946 Krueger  
D246,659 S \* 12/1977 Vailati ..... D19/69  
D274,825 S 7/1984 Lissoni  
D293,338 S 12/1987 Evenson  
4,763,854 A \* 8/1988 Borowski ..... B65H 49/08  
242/129

D333,156 S 2/1993 Peersmann  
D400,586 S \* 11/1998 Yuen ..... D19/65  
D417,237 S 11/1999 Packard et al.  
D436,131 S 1/2001 Lau  
D456,449 S 4/2002 Dunshee et al.  
D495,349 S 8/2004 Zilka et al.  
D541,348 S 4/2007 Mandel  
D543,244 S \* 5/2007 Tsuruha ..... D19/73  
D568,692 S 5/2008 Lam  
D571,405 S 6/2008 Boulais  
D586,676 S 2/2009 Wagner et al.  
D590,444 S \* 4/2009 Farnworth ..... D19/189  
D593,610 S 6/2009 Cirulli et al.  
D602,529 S 10/2009 Kokaisel et al.  
D603,902 S 11/2009 Greaves  
D614,701 S 4/2010 Magid et al.  
D619,171 S 7/2010 Hagens et al.  
D626,000 S 10/2010 Chertoff et al.

(Continued)

*Primary Examiner* — Austin Murphy

(74) *Attorney, Agent, or Firm* — McCormick, Paulding & Huber LLP

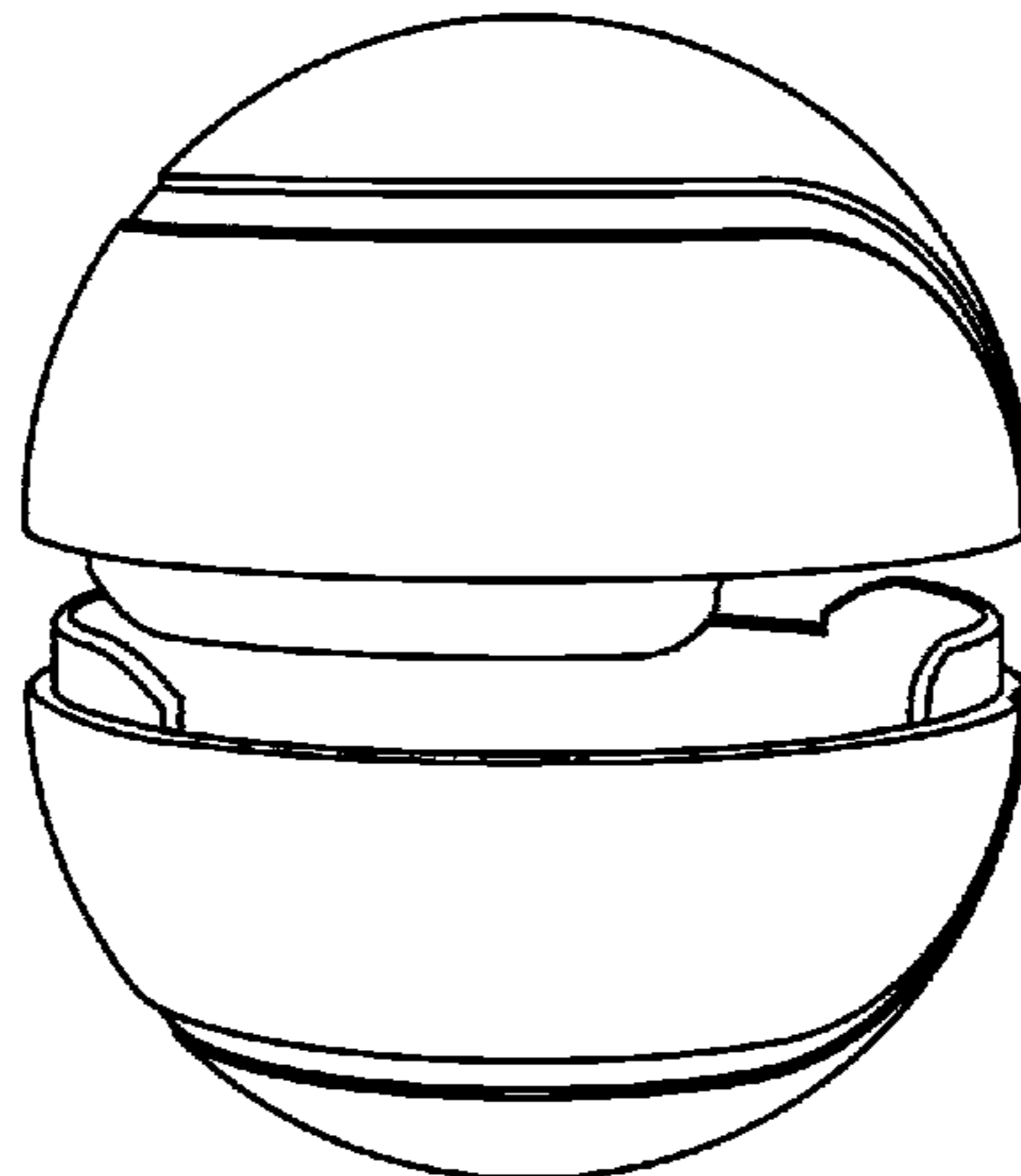
(57) **CLAIM**

The ornamental design for a stamp housing, substantially as shown.

**DESCRIPTION**

FIG. 1 is a top view of a stamp housing of a new, original and ornamental design;  
FIG. 2 is a top, front, left-hand side perspective view thereof;  
FIG. 3 is a front view thereof;  
FIG. 4 is a left-hand side view with the right-hand side view being a mirror image thereof;  
FIG. 5 is a top, front, left-hand side perspective view shown in an open position thereof;  
FIG. 6 is a front view shown in an open position thereof; and,  
FIG. 7 is a left-hand side view shown in an open position thereof.

**1 Claim, 2 Drawing Sheets**



(56)

**References Cited**

U.S. PATENT DOCUMENTS

D638,880 S *	5/2011	Rashid .....	D19/69	D708,667 S	7/2014	Carrington	
D647,373 S	10/2011	Pourian et al.		D713,452 S	9/2014	Goldmeier	
D647,565 S	10/2011	Pourian et al.		D720,807 S	1/2015	Jianvarakul et al.	
D648,186 S	11/2011	Pourian et al.		8,978,594 B2 *	3/2015	Daniels .....	A01K 27/004
D656,548 S	3/2012	Packard et al.					119/795
D671,596 S	11/2012	Ruthe-Steinsiek		D730,444 S *	5/2015	Hansen .....	D19/69
D681,118 S	4/2013	Mueller et al.		D748,484 S	2/2016	Lavigne	
D682,941 S *	5/2013	Nash .....	D19/69	D750,170 S	2/2016	Lehmann et al.	
D694,963 S *	12/2013	Daniels .....	D30/153	2010/0313770 A1 *	12/2010	Lehmann .....	B41K 1/32
8,720,763 B2 *	5/2014	Kuehn .....	B26F 3/02				101/35
			225/39	2014/0090570 A1 *	4/2014	Amgwerd .....	B41K 1/28
							101/333

\* cited by examiner

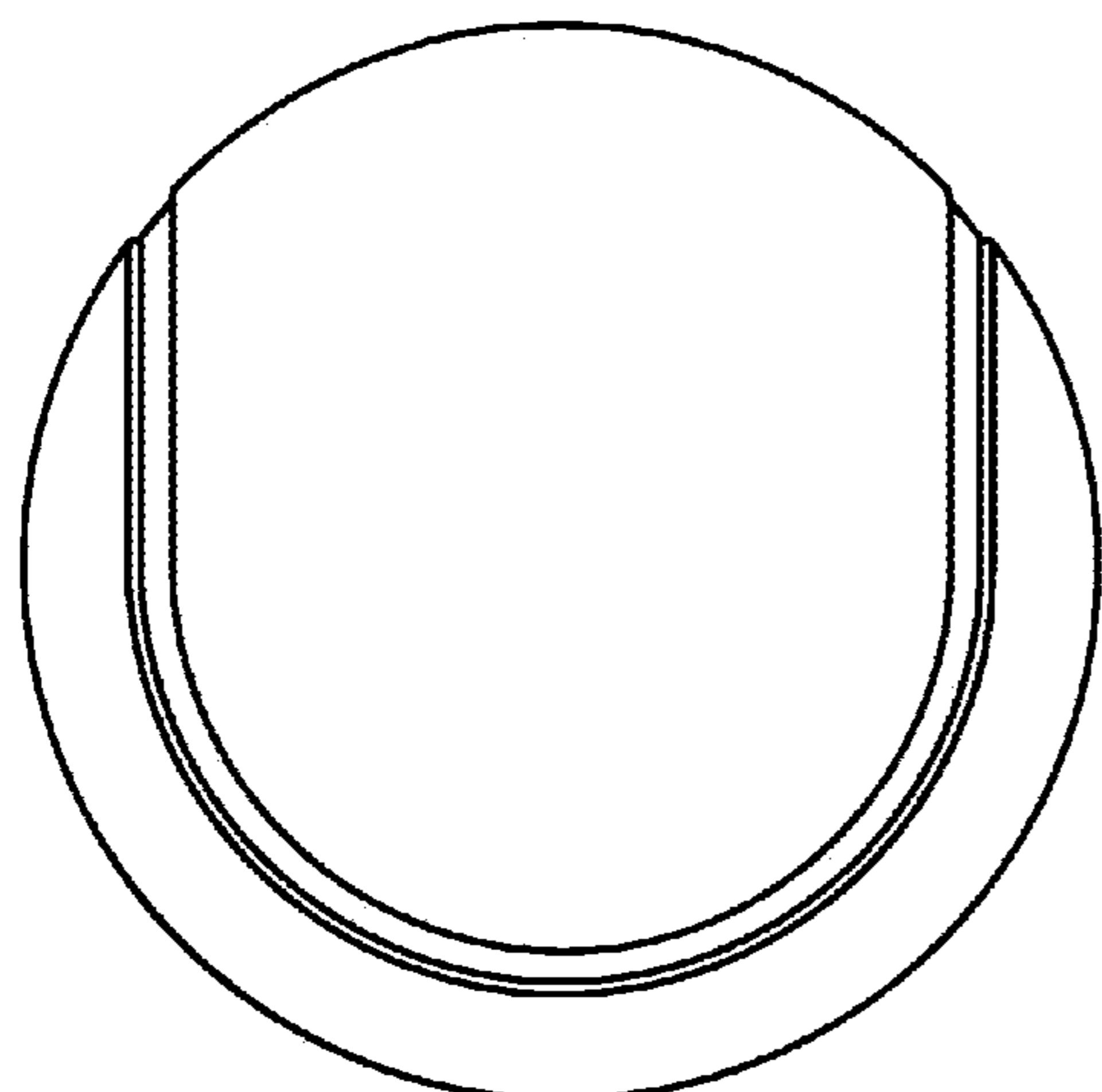


FIG. 1

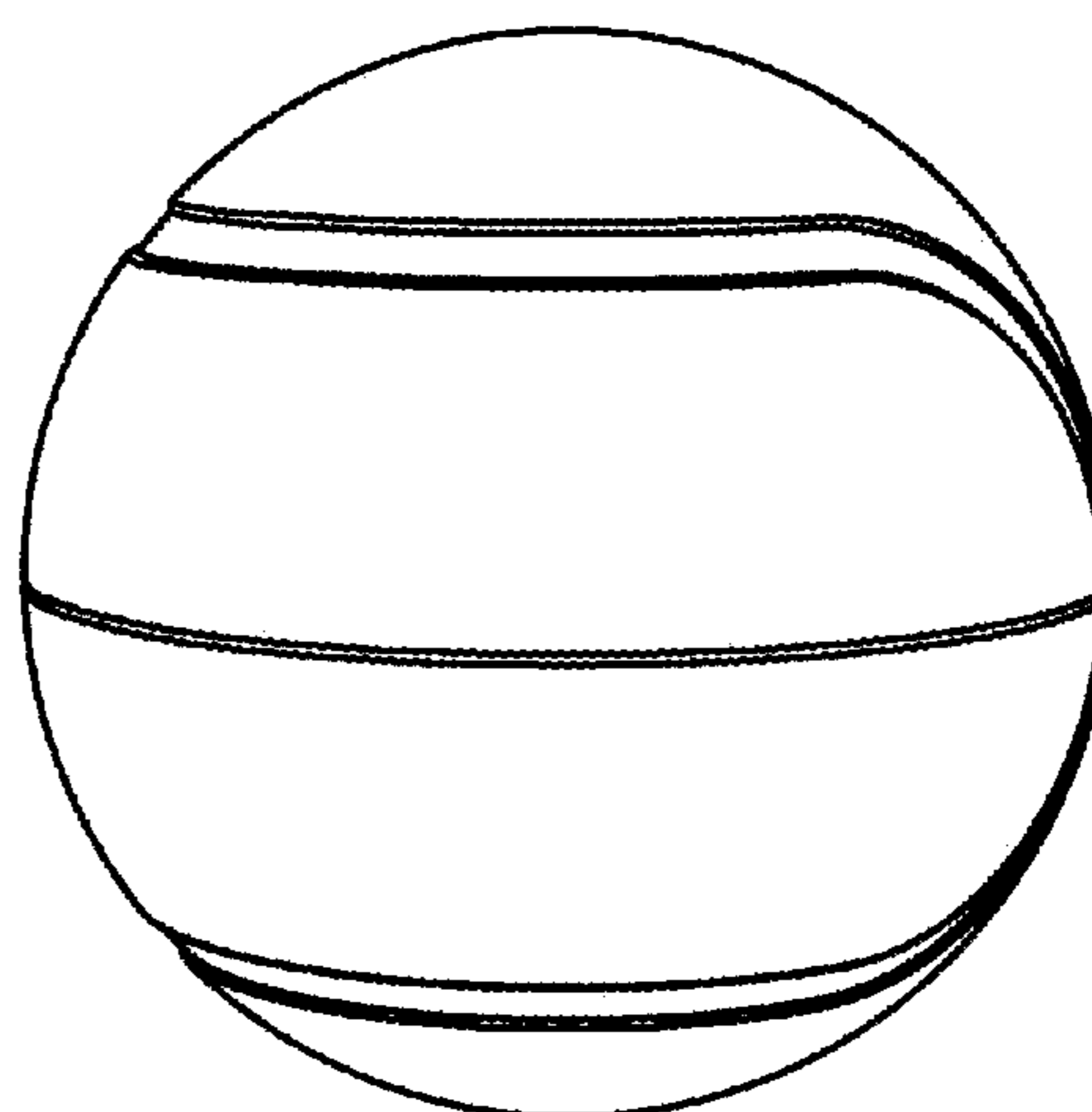


FIG. 2

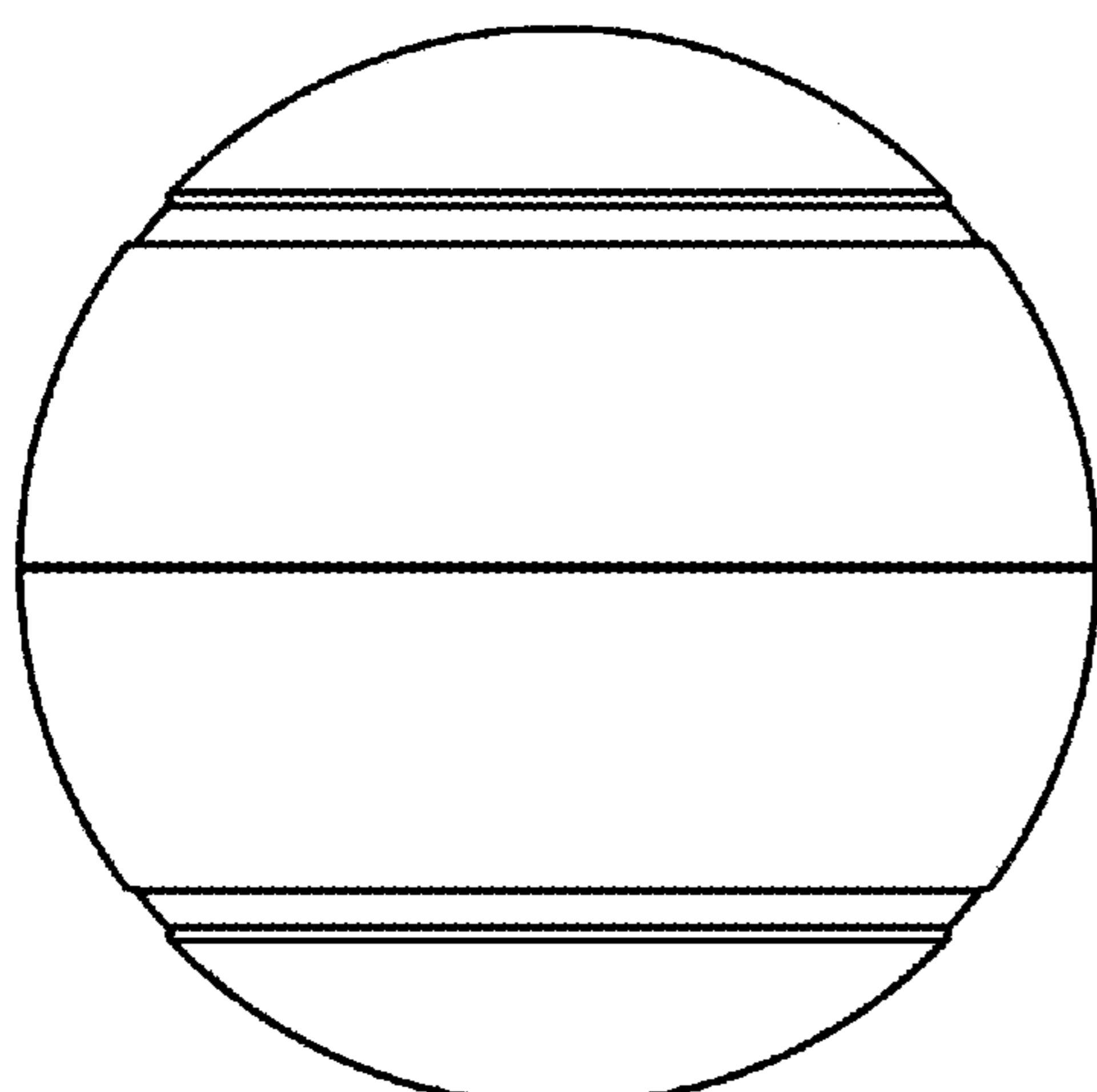


FIG. 3

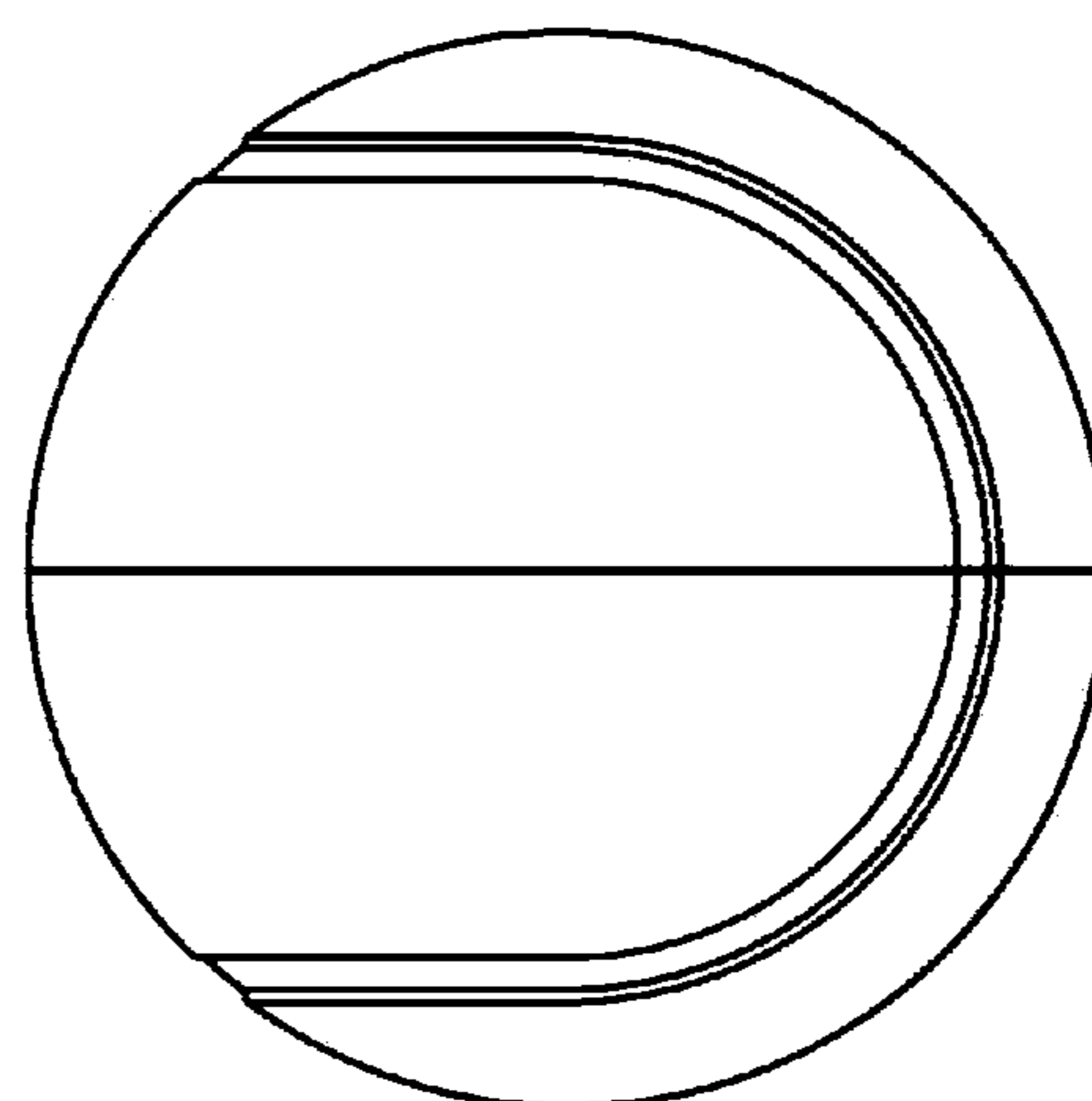


FIG. 4

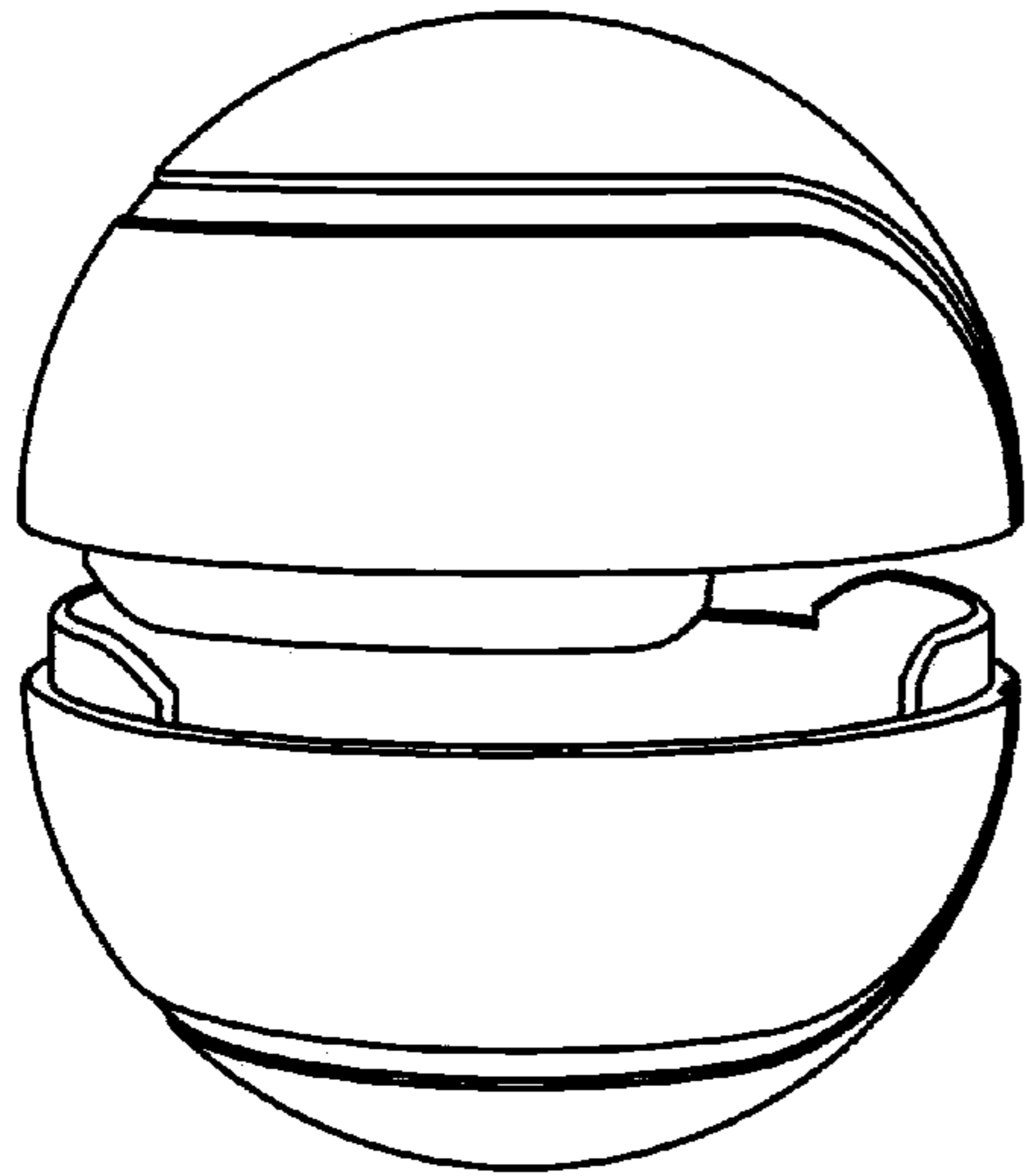


FIG. 5

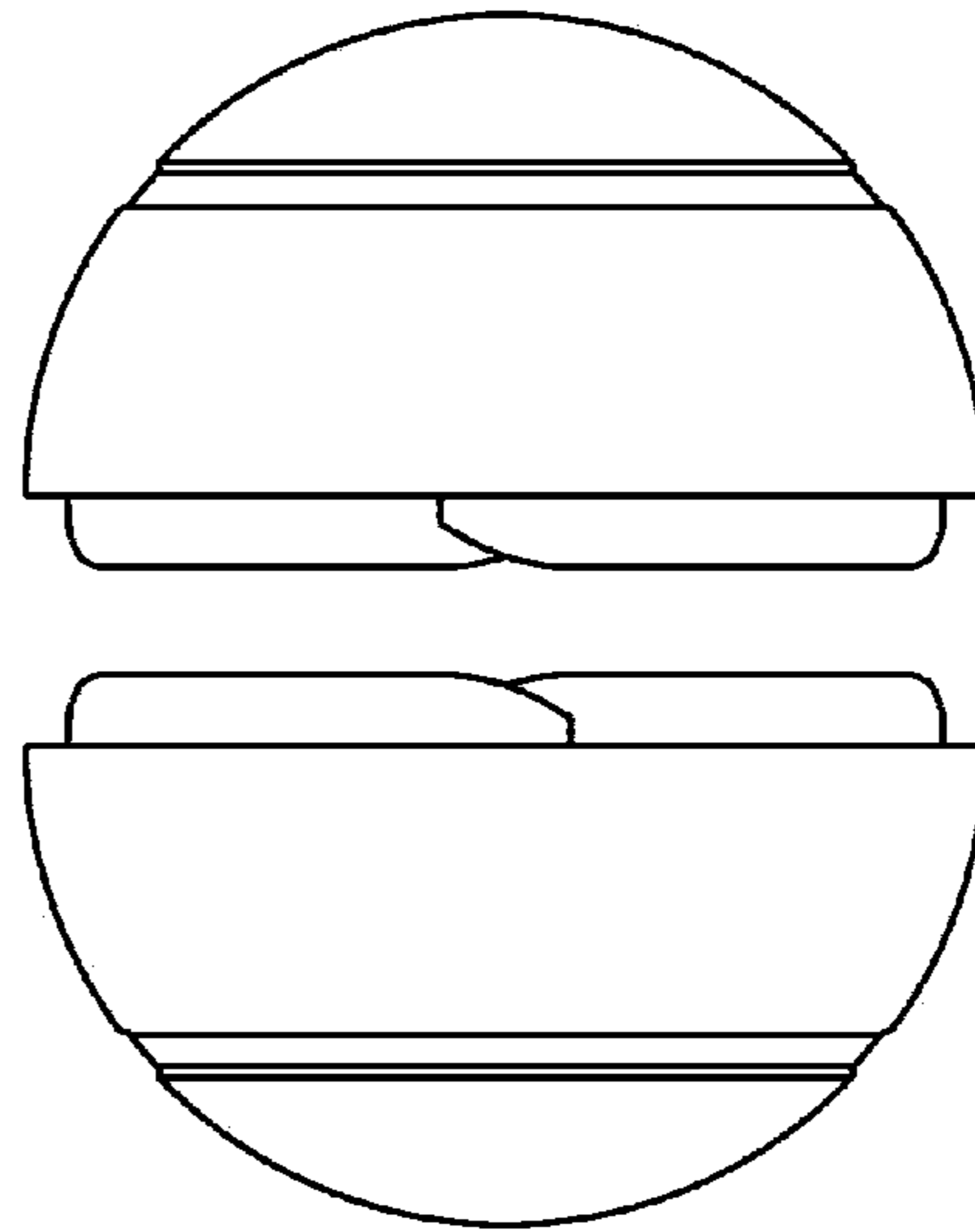


FIG. 6

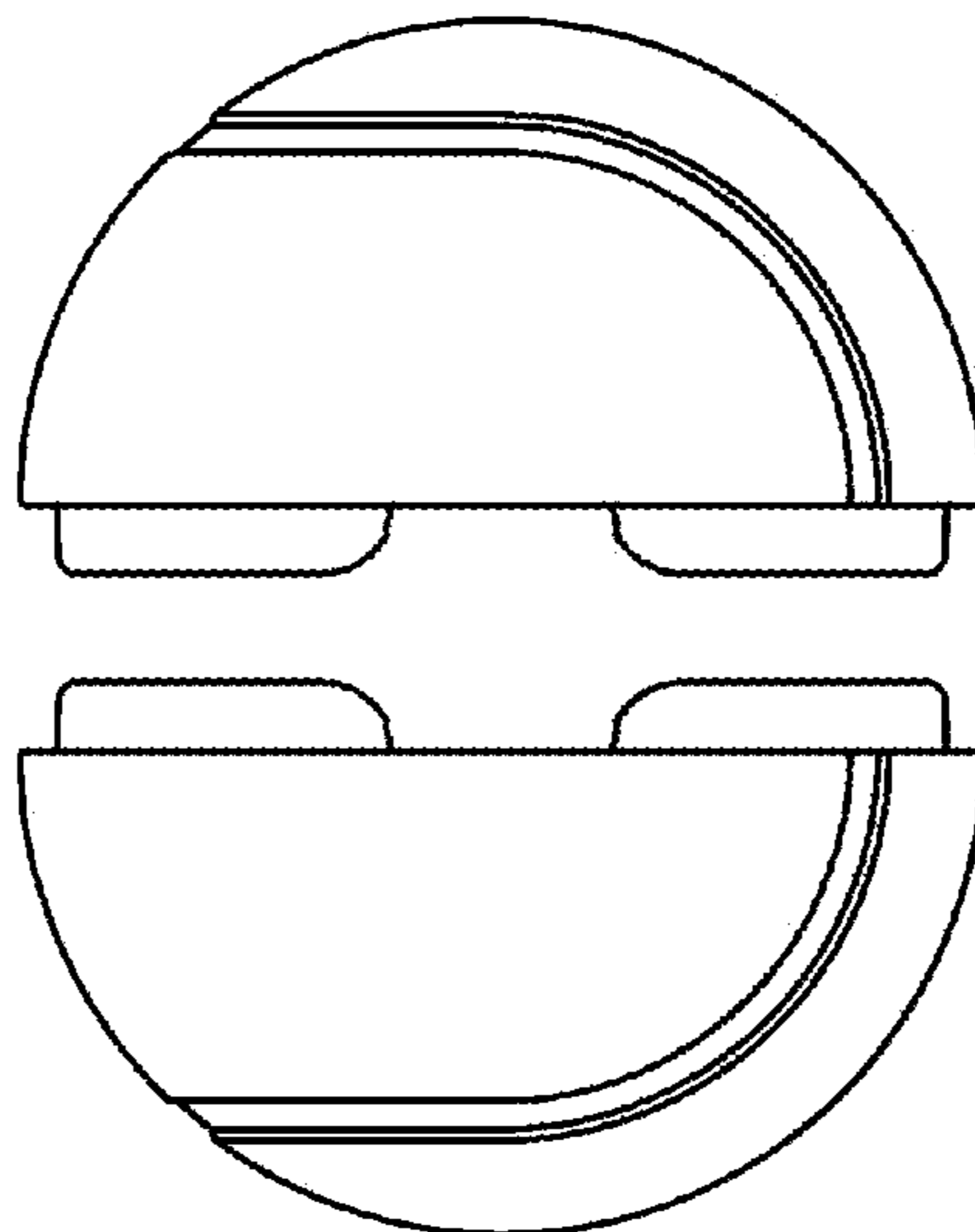


FIG. 7