



US00D764577S

(12) **United States Design Patent**
Cho et al.

(10) **Patent No.:** **US D764,577 S**
(45) **Date of Patent:** **** Aug. 23, 2016**

(54) **MULTI-FUNCTION PRINTER**

(71) Applicant: **Samsung Electronics Co., Ltd.**,
Suwon-si (KR)

(72) Inventors: **Soo Young Cho**, Seoul (KR);
Friedrich-Konrad Wilhelm Gerhard Frenkler,
Munich (DE); **Kwang Hyuck So**, Seoul (KR);
Sean Fraser Suckling, Munich (DE); **Eun Joo Mo**,
Seoul (KR); **Eung Yul Lee**, Seoul (KR); **Jue Hyun Jung**,
Seoul (KR); **Anette Ponzholzer**, Munich (DE)

(73) Assignee: **Samsung Electronics Co., Ltd.**,
Suwon-si (KR)

(**) Term: **15 Years**

(21) Appl. No.: **29/531,863**

(22) Filed: **Jun. 30, 2015**

(30) **Foreign Application Priority Data**

Dec. 30, 2014 (KR) 30-2014-0064141

(51) **LOC (10) CL.** **18-02**

(52) **U.S. CL.**
USPC **D18/53**

(58) **Field of Classification Search**
USPC D18/53, 50, 54, 56, 59, 36, 38, 39, 40,
D18/41, 45, 34.4, 34.5, 34.6; D14/301, 307,
D14/129, 130

CPC ... G06K 15/12; G06K 15/14; H04N 1/00204;
H04N 1/00249; H04N 1/00278; B41J 3/00;
B41J 3/28; B41J 3/445; B41J 3/46
See application file for complete search history.

(56) **References Cited**

U.S. PATENT DOCUMENTS

6,163,668 A * 12/2000 Takahashi G03G 15/221
345/156

D447,768 S * 9/2001 Shiozaki D18/53
D558,262 S * 12/2007 Hong D18/50
D579,972 S * 11/2008 Meda D18/50
D605,189 S * 12/2009 Kuroda D14/307
D621,441 S * 8/2010 Kim D18/39
D641,393 S * 7/2011 Kim D18/14
D645,897 S * 9/2011 Chuang D18/50

(Continued)

FOREIGN PATENT DOCUMENTS

EM 000329982-0012 * 6/2005

OTHER PUBLICATIONS

Coroflot of Stanislav Tsybulsky. <URL: <http://www.coroflot.com/stanislavtsybulsky/POSM-Sketches>>. Oct. 3, 2012. Interactive Display CAD.*

Primary Examiner — Bridget L Eland

Assistant Examiner — Lauren McVey

(74) *Attorney, Agent, or Firm* — NSIP Law

(57) **CLAIM**

We claim the ornamental design for a multi-function printer, as shown and described.

DESCRIPTION

FIG. 1 is a front perspective view of a multi-function printer showing our new design;

FIG. 2 is a front view thereof;

FIG. 3 is a rear view thereof;

FIG. 4 is a left-side view thereof;

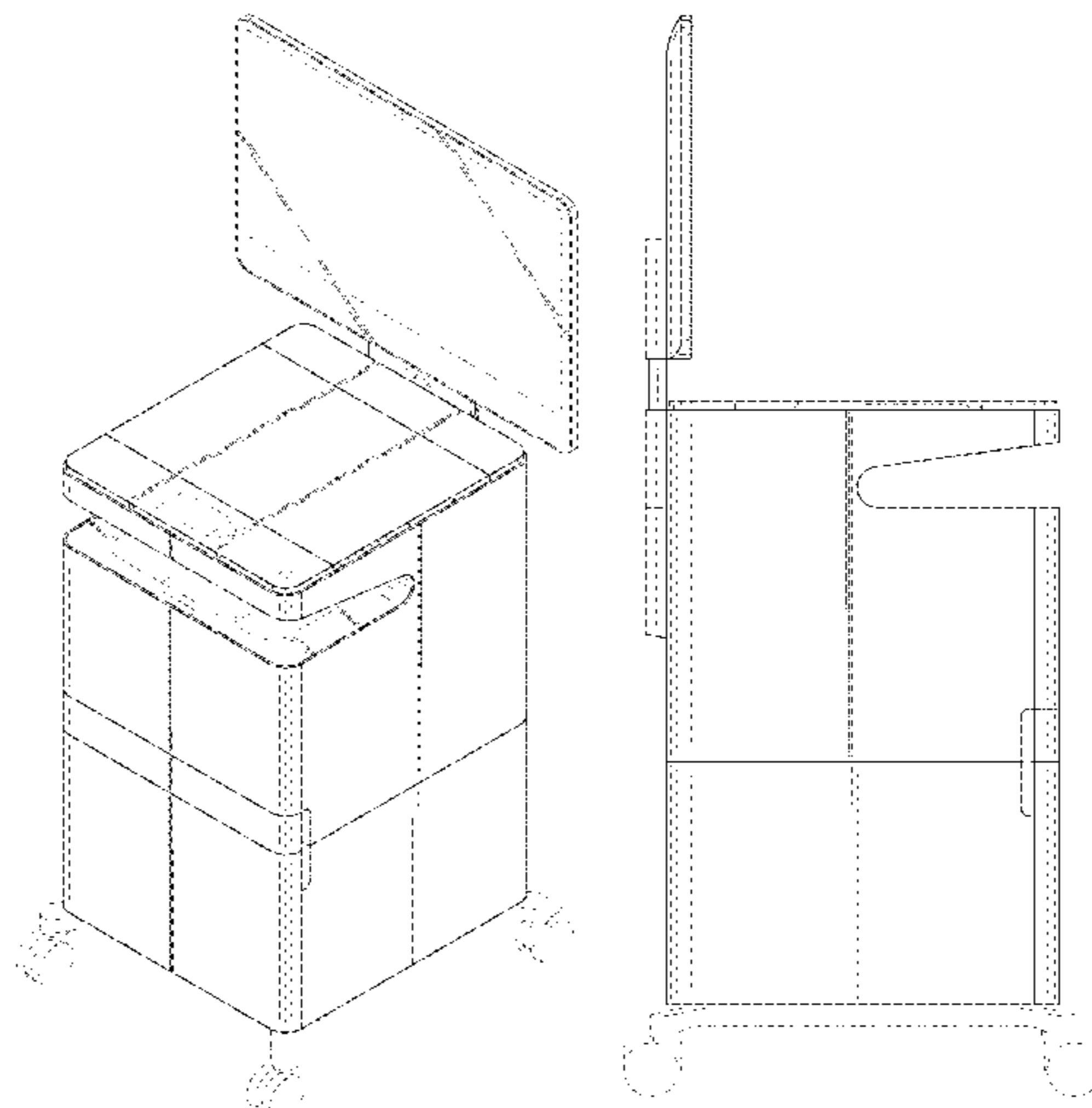
FIG. 5 is a right-side view thereof;

FIG. 6 is a top view thereof; and,

FIG. 7 is a bottom view thereof.

The broken lines that are immediately adjacent to the claim, and define unshaded regions, represent the bounds of the claim and are not included in the claim, while all other broken lines are directed to environment; the broken lines form no part of the claimed design.

1 Claim, 6 Drawing Sheets



US D764,577 S

Page 2

(56)

References Cited

U.S. PATENT DOCUMENTS

D671,595 S * 11/2012 O'Hara D14/307
D694,317 S * 11/2013 Nakagawa D18/19

D732,109 S * 6/2015 Chung D18/50
D732,606 S * 6/2015 Chung D18/50
D751,061 S * 3/2016 Berini D14/307

* cited by examiner

FIG. 1

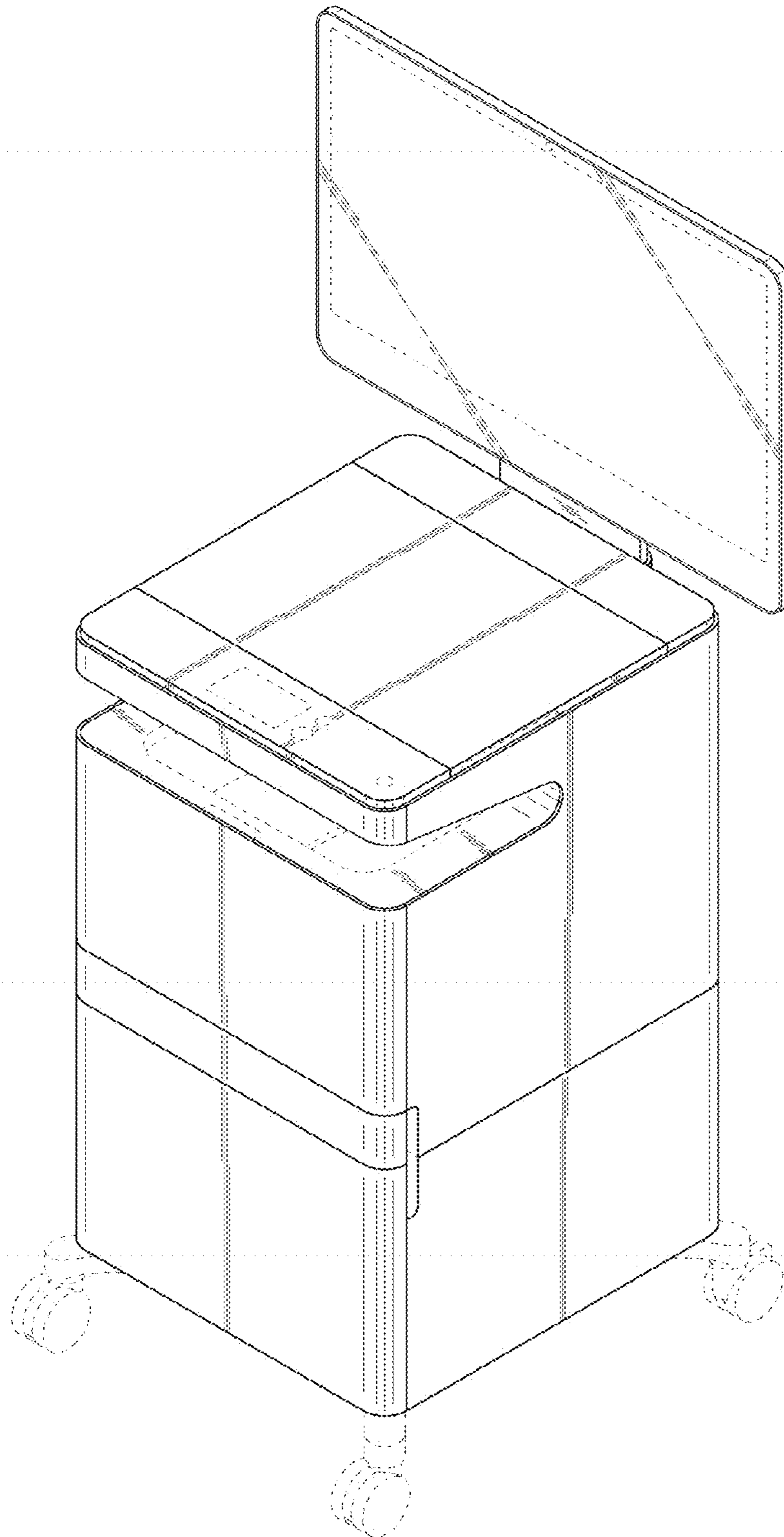


FIG.2

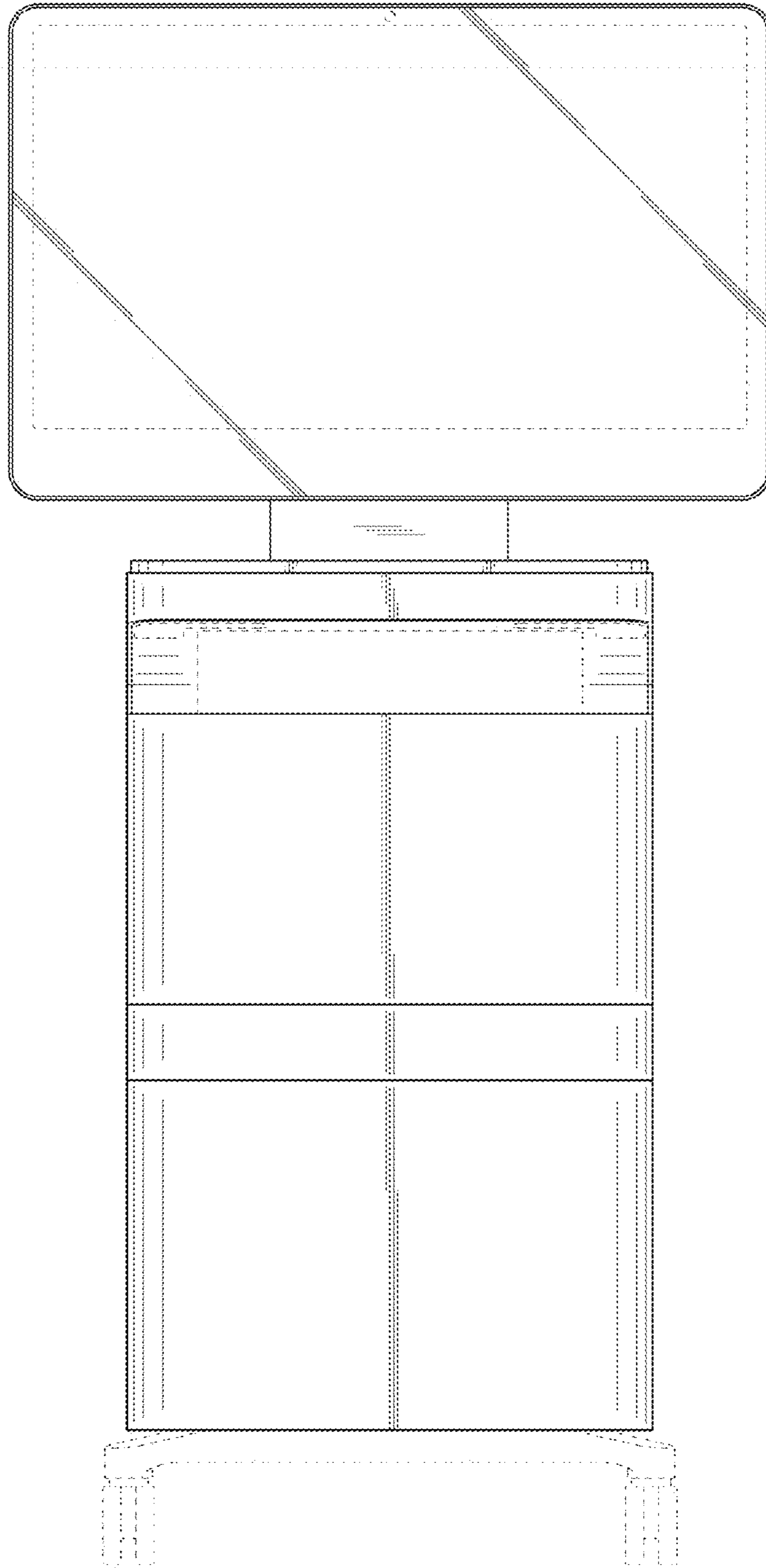


FIG.3

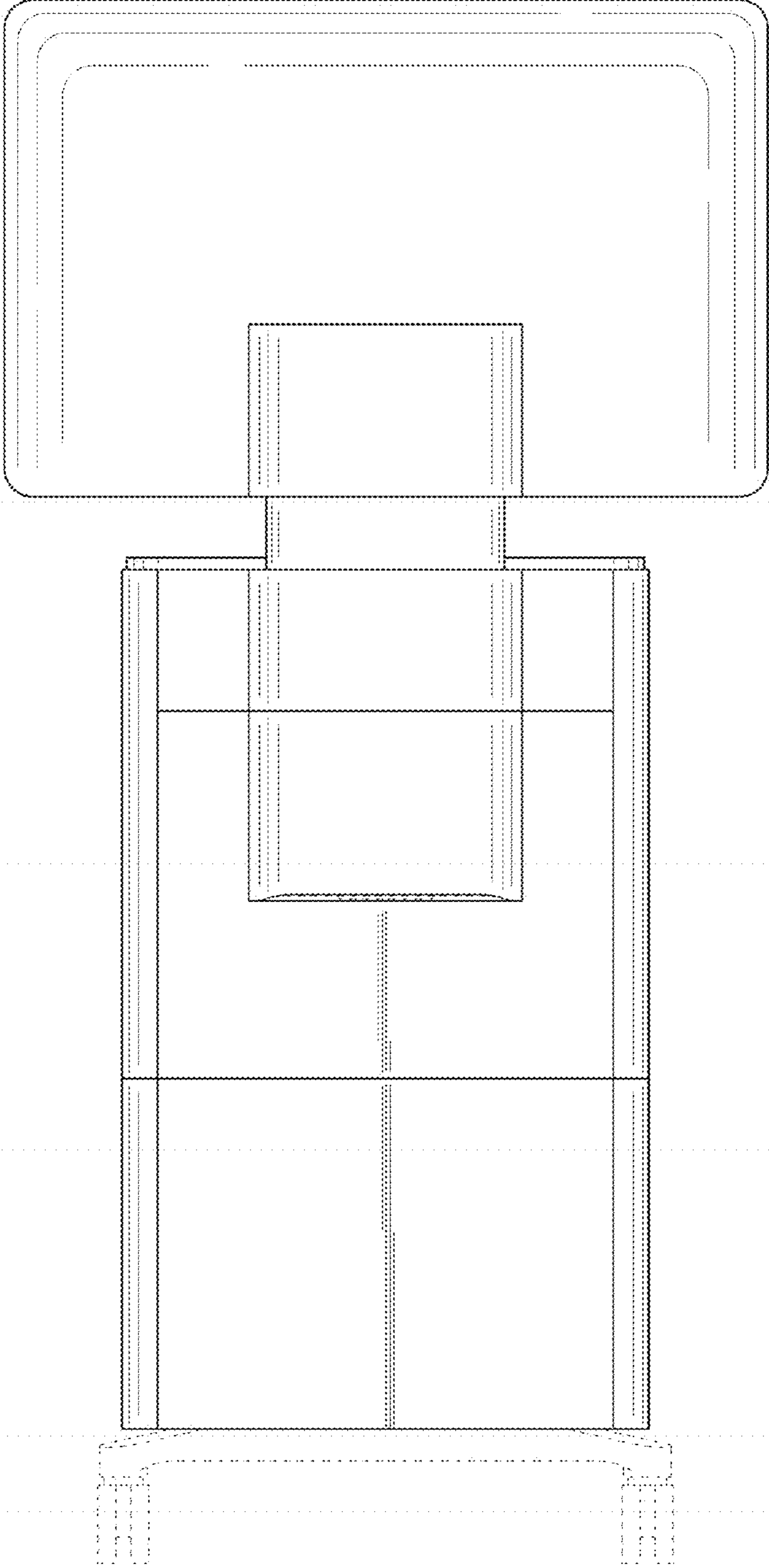


FIG.4

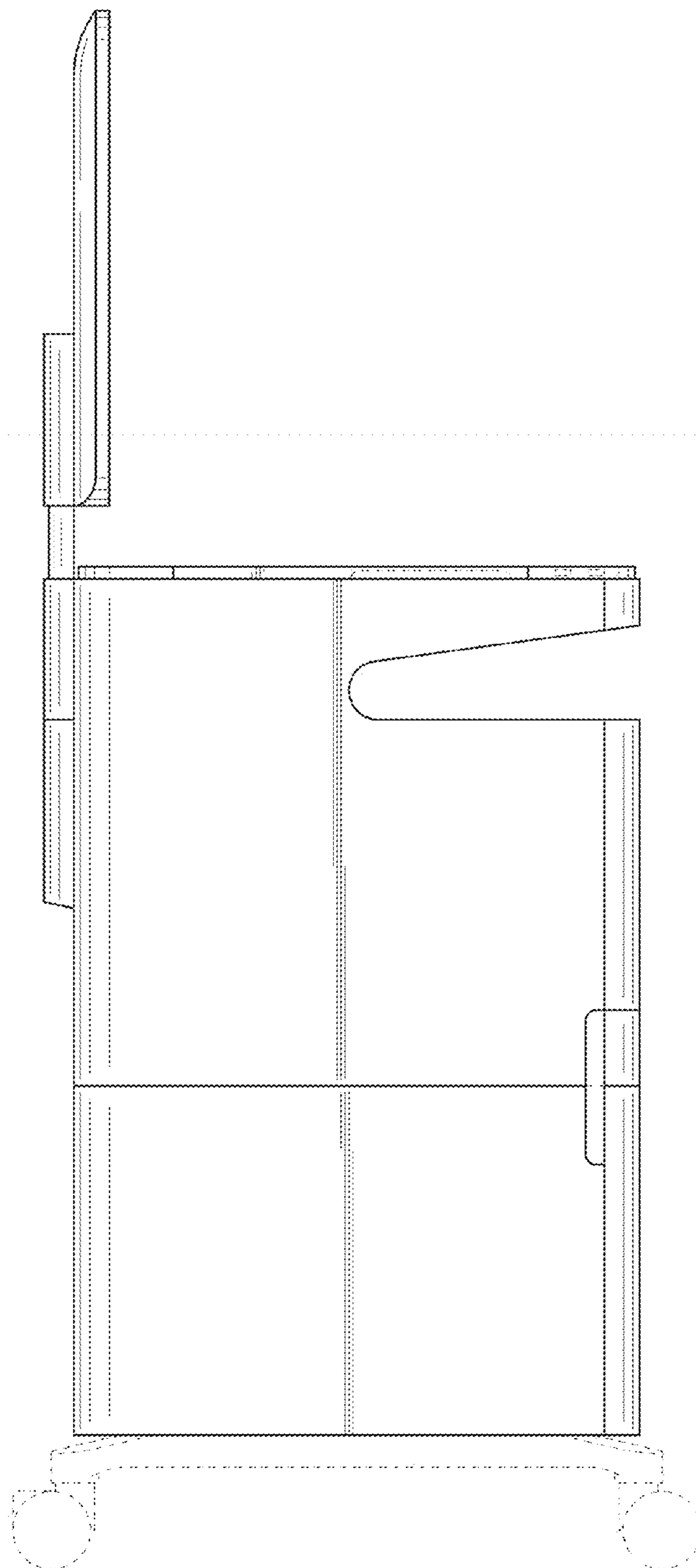


FIG. 5

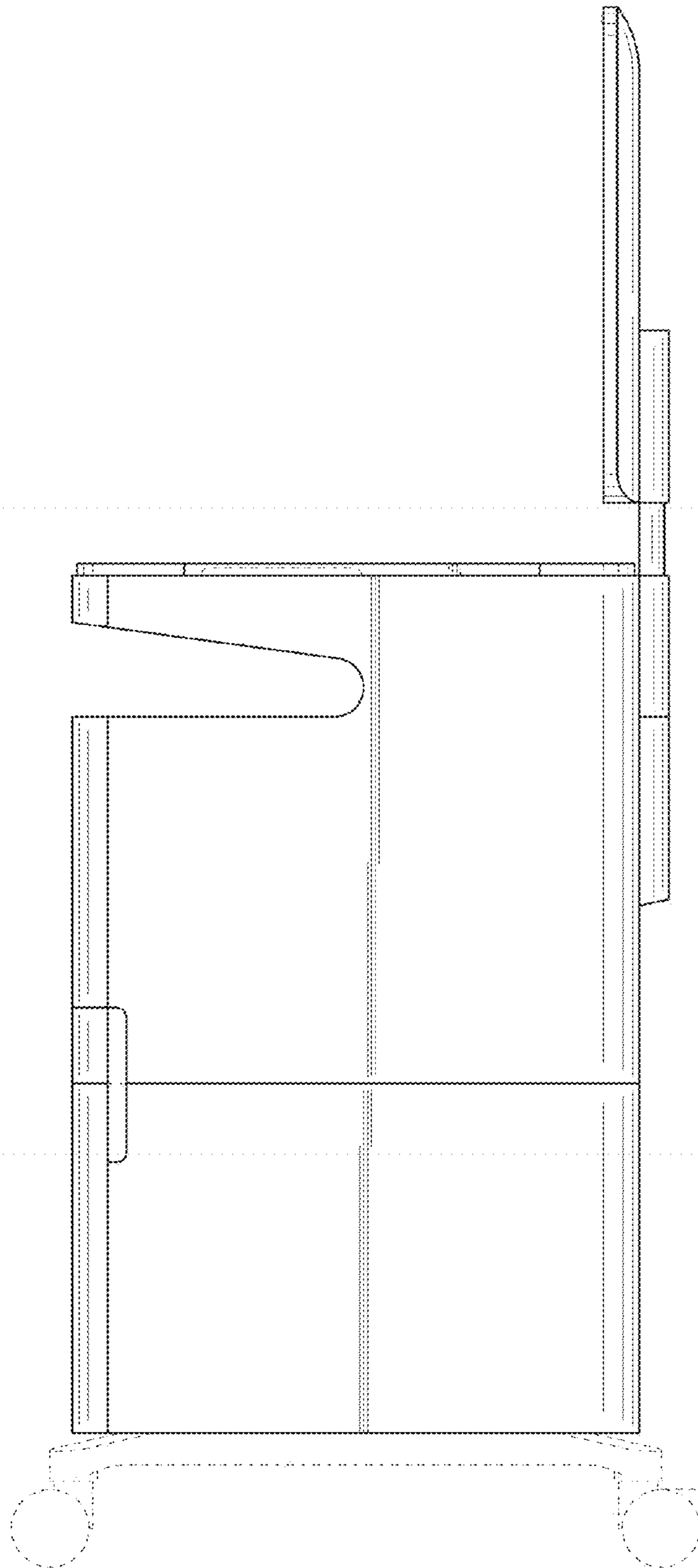


FIG.6

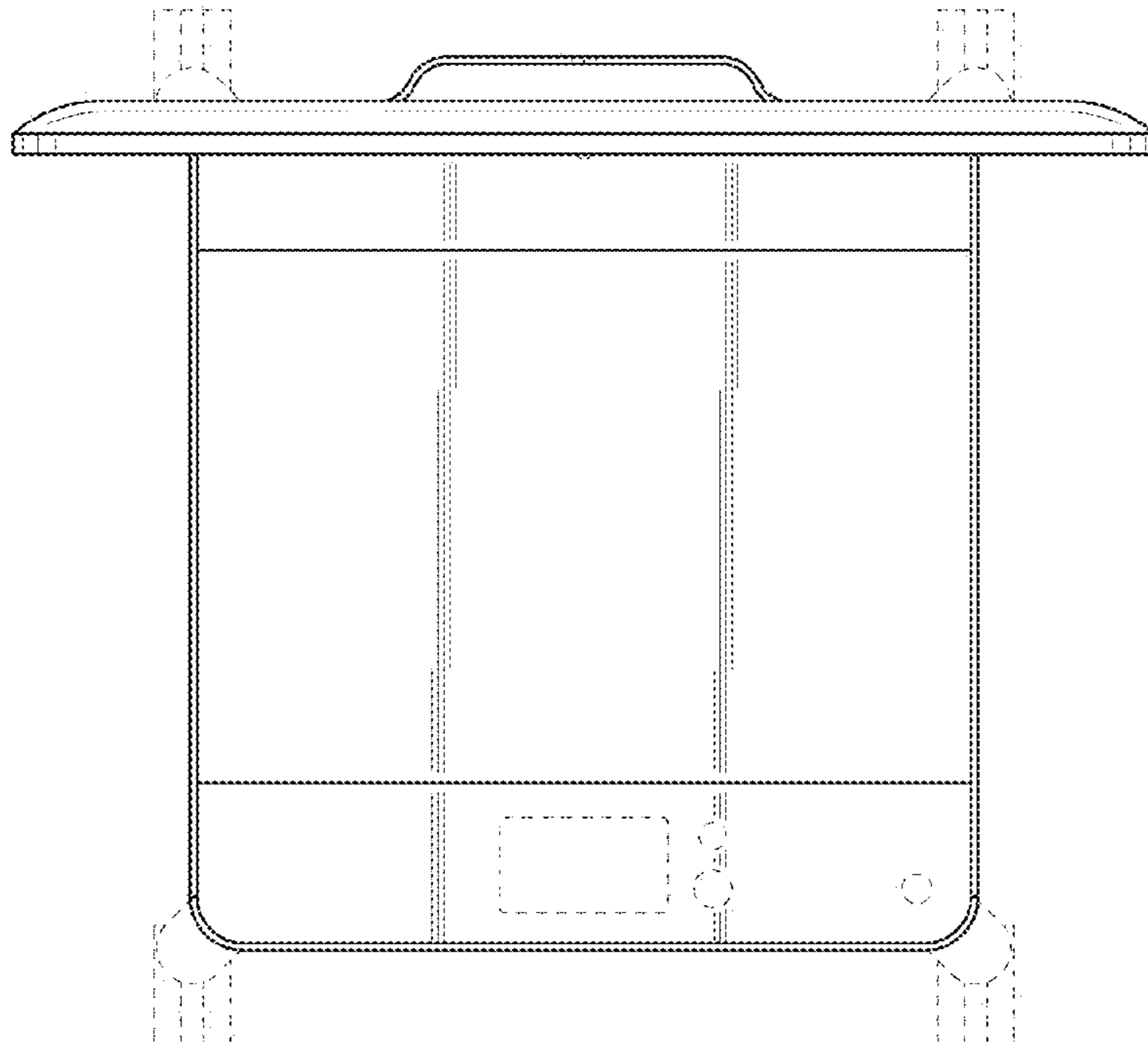


FIG.7

