

US00D764576S

(12) **United States Design Patent** (10) **Patent No.:** **US D764,576 S**
Cho et al. (45) **Date of Patent:** **** Aug. 23, 2016**

(54) **MULTI-FUNCTION PRINTER**
(71) Applicant: **Samsung Electronics Co., Ltd.**,
Suwon-si (KR)
(72) Inventors: **Soo Young Cho**, Seoul (KR);
Friedrich-Konrad Wilhelm Gerhard
Frenkler, Munich (DE); **Kwang Hyuck**
So, Seoul (KR); **Sean Fraser Suckling**,
Munich (DE); **Eun Joo Mo**, Seoul
(KR); **Eung Yul Lee**, Seoul (KR); **Jue**
Hyun Jung, Seoul (KR); **Anette**
Ponholzer, Munich (DE)
(73) Assignee: **Samsung Electronics Co., Ltd.**,
Suwon-si (KR)
(**) Term: **15 Years**
(21) Appl. No.: **29/531,798**
(22) Filed: **Jun. 30, 2015**
(30) **Foreign Application Priority Data**
Dec. 30, 2014 (KR) 30-2014-0064140
(51) **LOC (10) Cl.** **18-02**
(52) **U.S. Cl.**
USPC **D18/53**
(58) **Field of Classification Search**
USPC D18/53, 50, 54, 56, 59, 36, 38, 39, 40,
D18/41, 45, 34.4, 34.5, 34.6; D14/301, 307,
D14/129, 130
CPC .. G06K 15/12; G06K 15/14; H04N 1/00204;
H04N 1/00249; H04N 1/00278; B41J 3/00;
B41J 3/28; B41J 3/445; B41J 3/46
See application file for complete search history.

(56) **References Cited**
U.S. PATENT DOCUMENTS
D328,469 S * 8/1992 Stilley D18/14
D428,891 S * 8/2000 Harada D14/425
D447,768 S * 9/2001 Shiozaki D18/53

D621,441 S * 8/2010 Kim D18/39
D641,393 S * 7/2011 Kim D18/14
D645,897 S * 9/2011 Chuang D18/50
D669,119 S * 10/2012 Sato D18/50
D732,109 S * 6/2015 Chung D18/50
D732,606 S * 6/2015 Chung D18/50
D732,607 S * 6/2015 Backs D18/50
D741,401 S * 10/2015 Minamide D18/50
D751,638 S * 3/2016 Chung D18/53
2008/0003010 A1 * 1/2008 Isogai H04N 1/0035
399/81

FOREIGN PATENT DOCUMENTS

EM 000329982-0012 * 6/2005

OTHER PUBLICATIONS

Coroflot of Stanislav Tsybulsky. <URL: <http://www.coroflot.com/stanislavtsybulsky/POSM-Sketches>>. Oct. 3, 2012. Interactive Display CAD.*

* cited by examiner

Primary Examiner — Bridget L Eland

Assistant Examiner — Lauren McVey

(74) *Attorney, Agent, or Firm* — NSIP Law

(57) **CLAIM**

We claim the ornamental design for a multi-function printer, as shown and described.

DESCRIPTION

FIG. 1 is a front perspective view of a multi-function printer showing our new design;
FIG. 2 is a front view thereof;
FIG. 3 is a rear view thereof;
FIG. 4 is a left-side view thereof;
FIG. 5 is a right-side view thereof;
FIG. 6 is a top view thereof; and,
FIG. 7 is a bottom view thereof.
The dot dash broken lines and the broken lines that are immediately adjacent to the claim, and define unshaded regions, represent the bounds of the claim and are not included in the claim, while all other broken lines are directed to environment; the broken lines form no part of the claimed design.

1 Claim, 6 Drawing Sheets

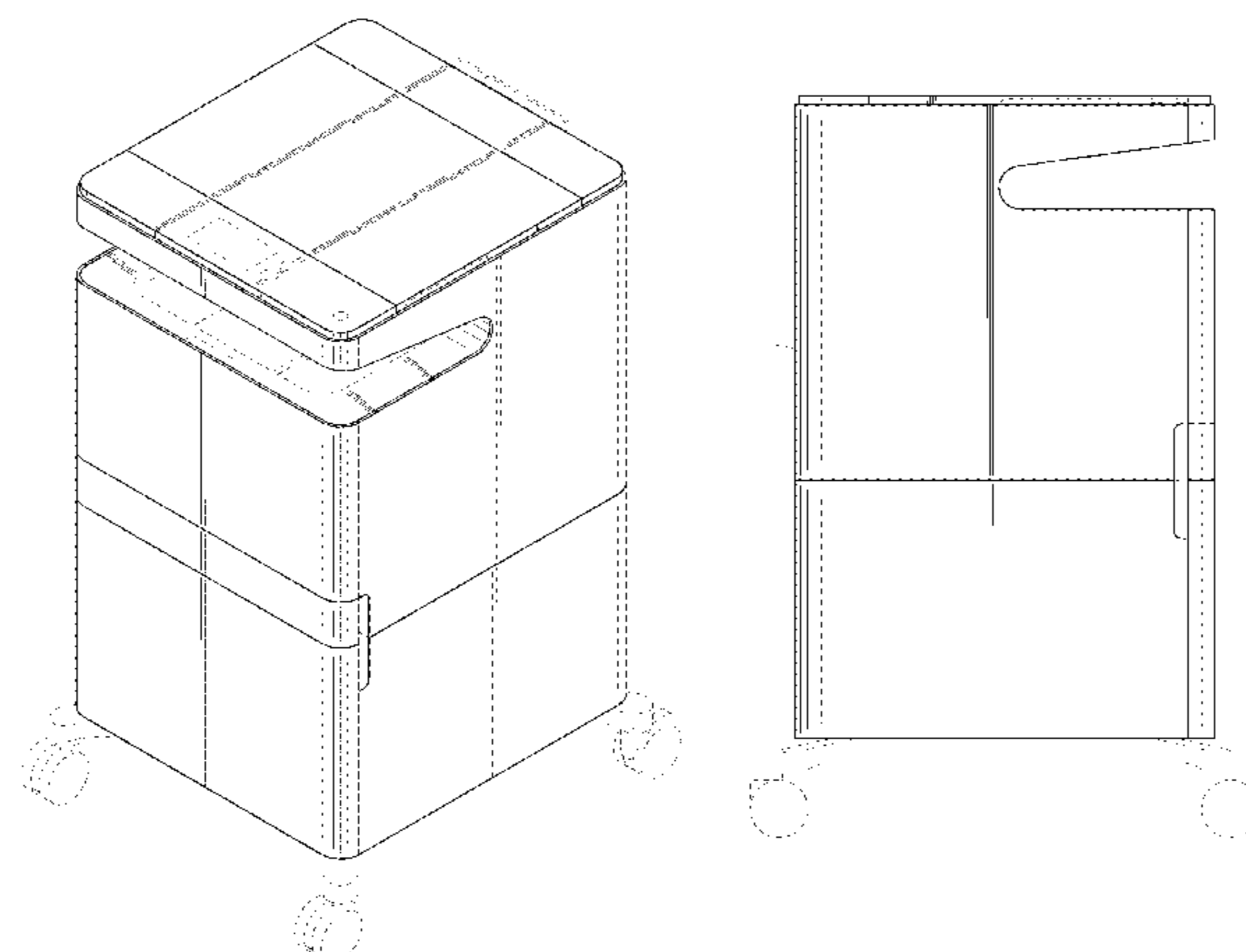


FIG. 1

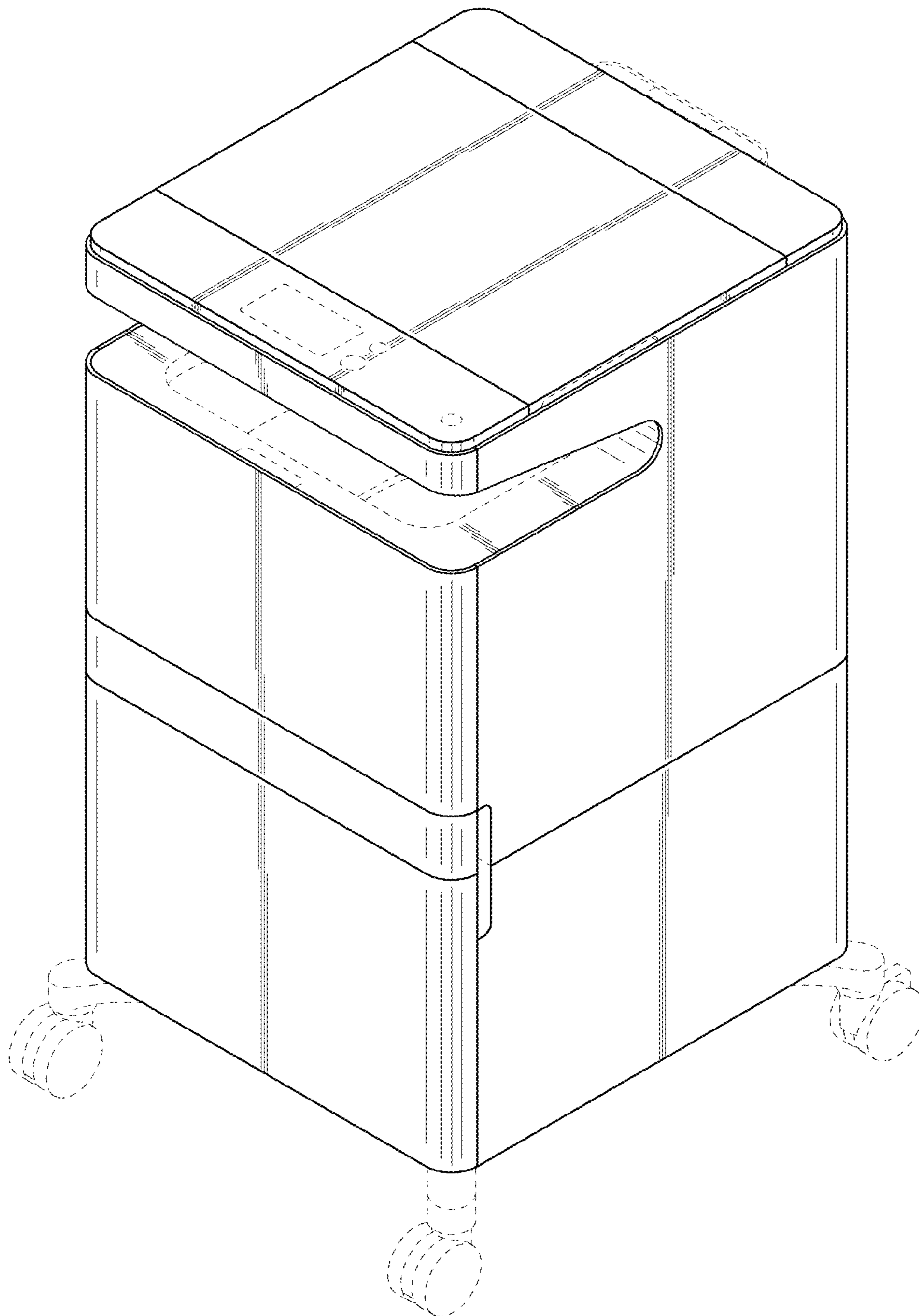


FIG.2

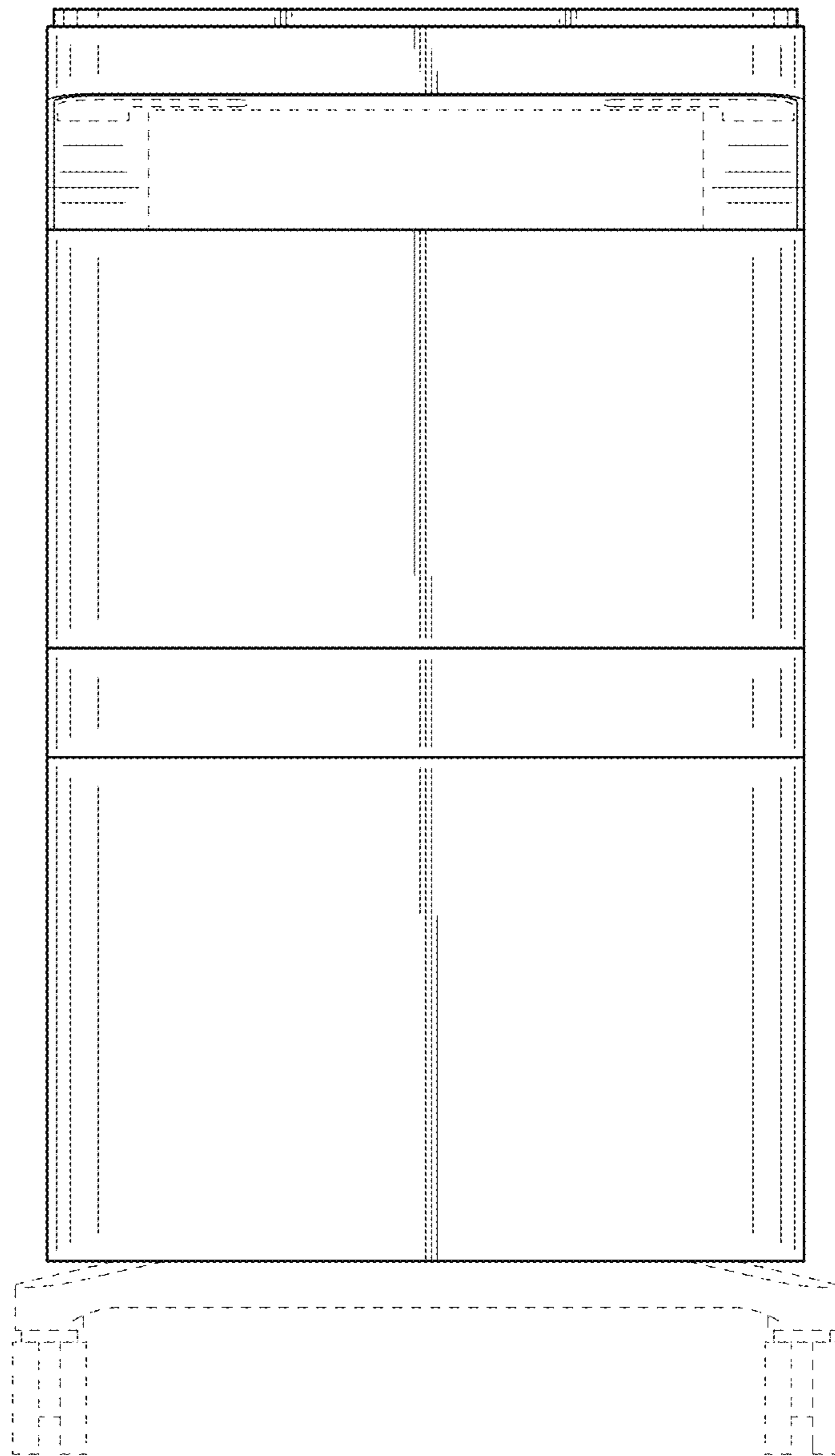


FIG.3

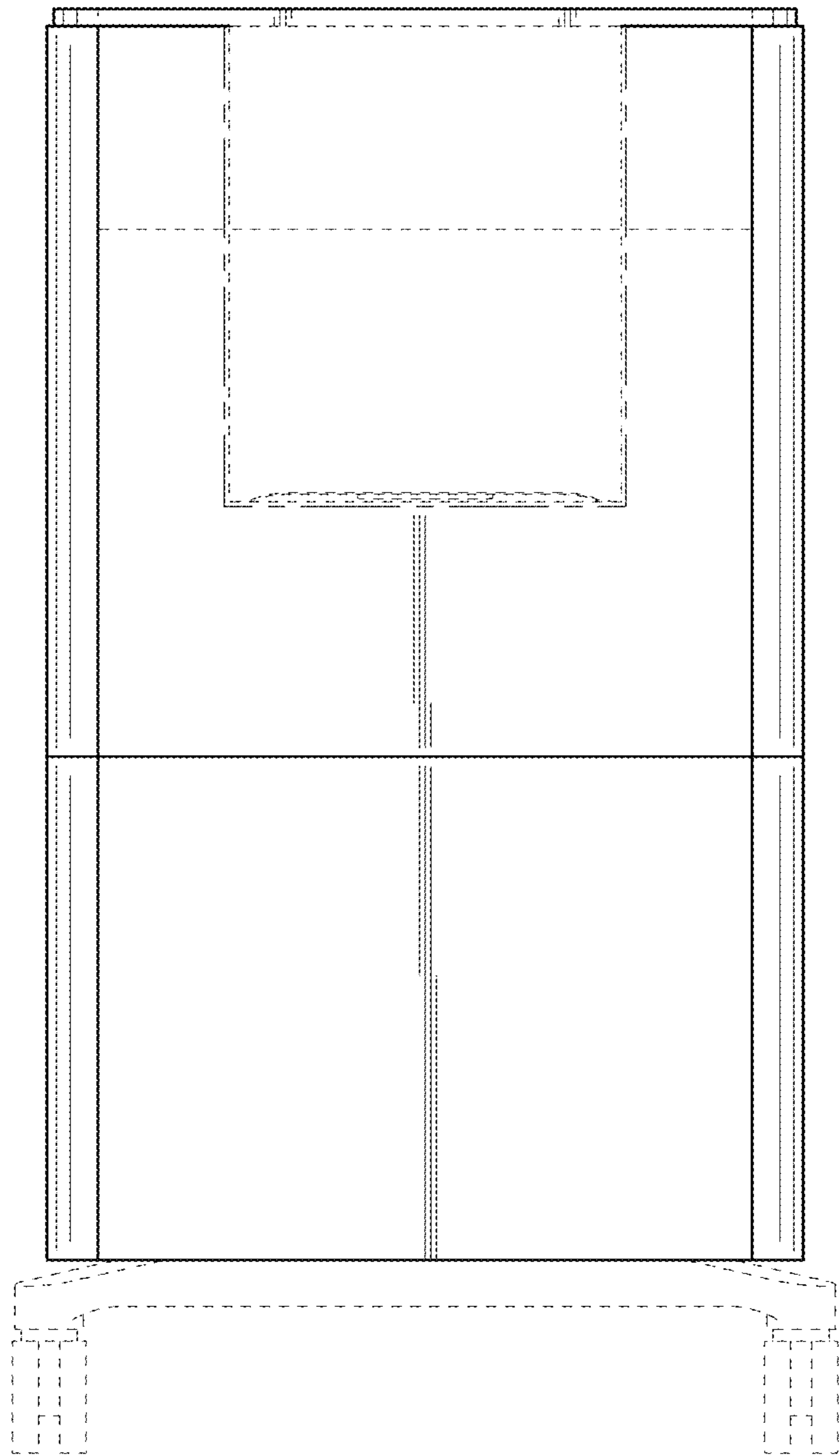


FIG.4

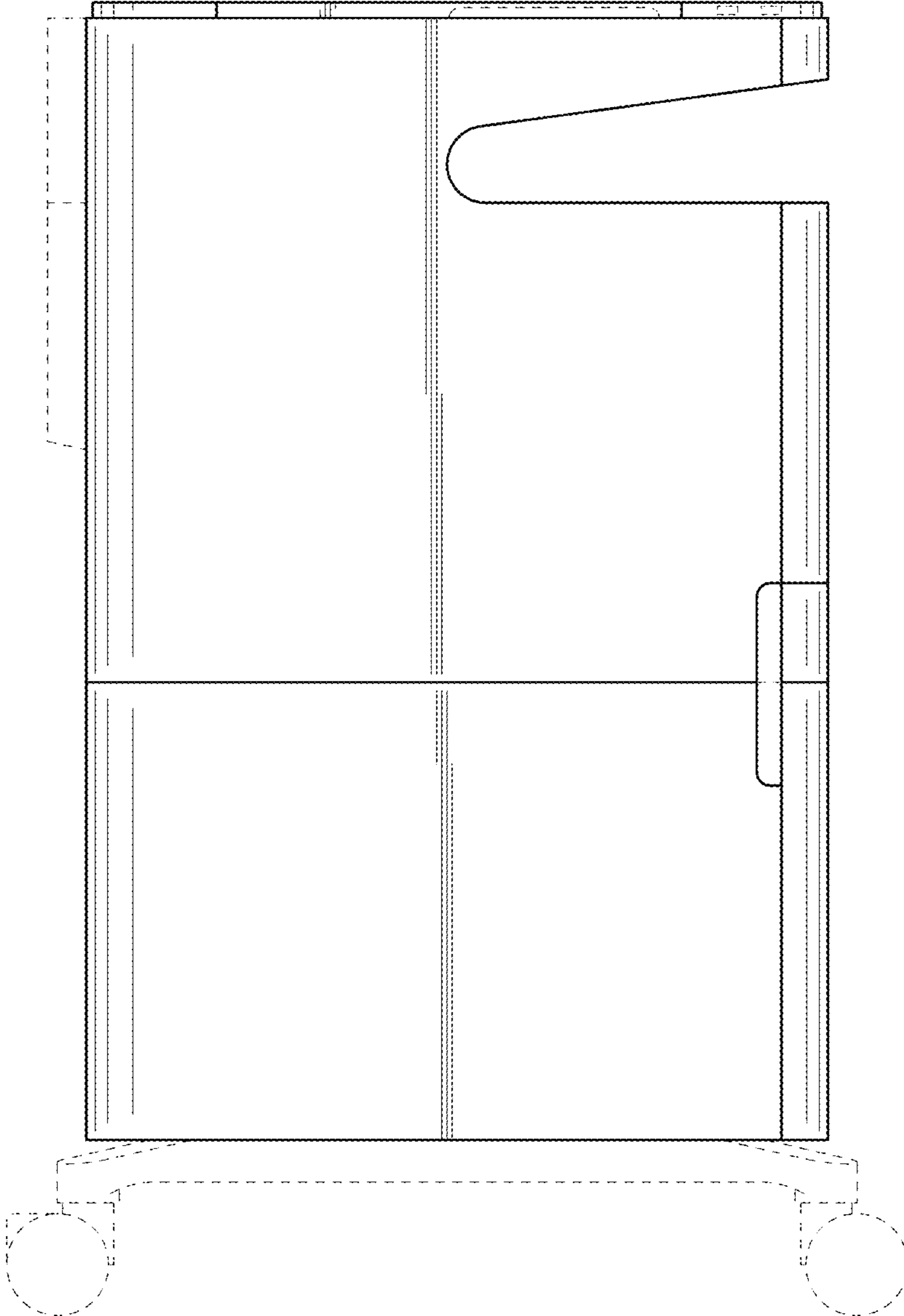


FIG.5

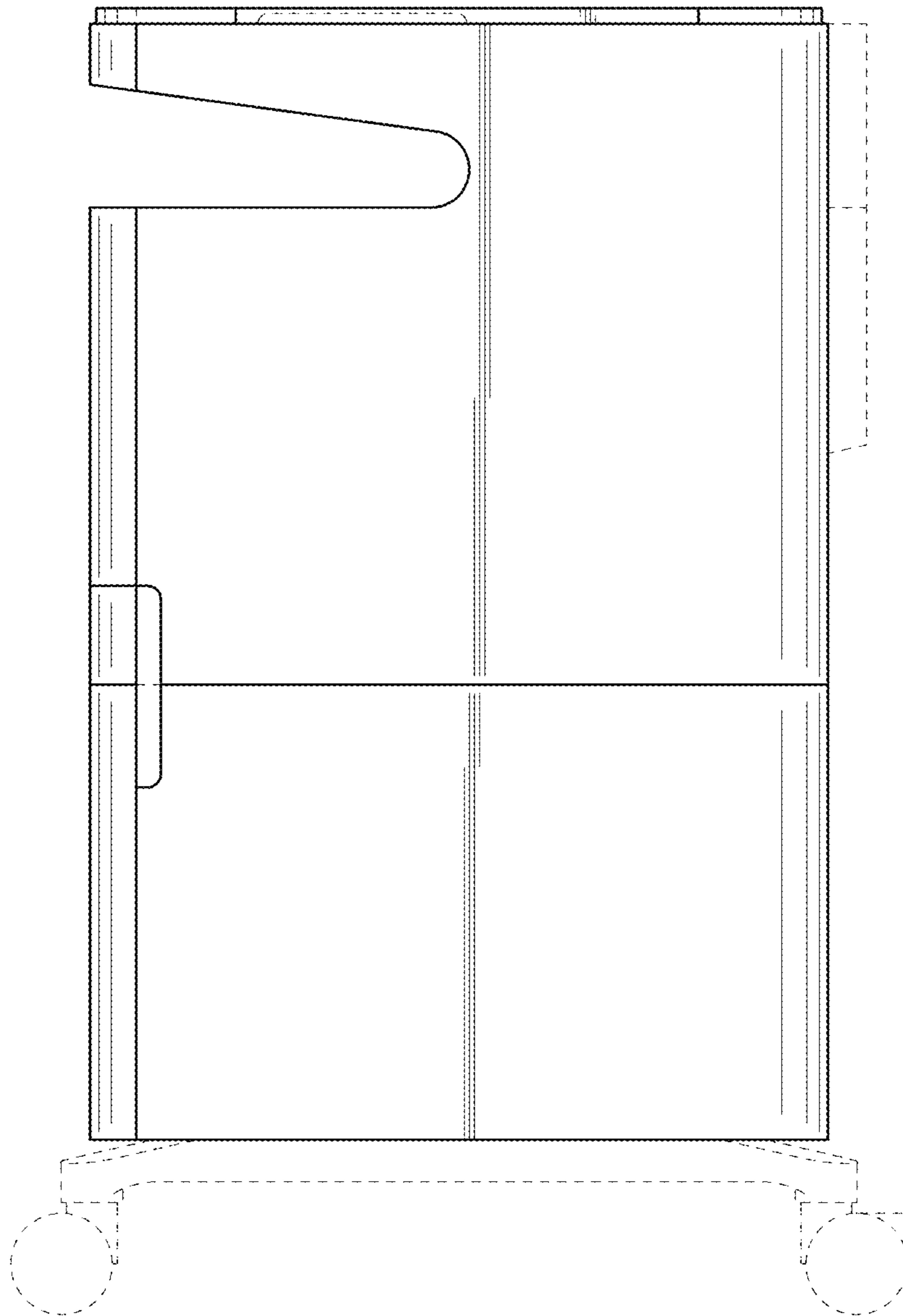


FIG.6

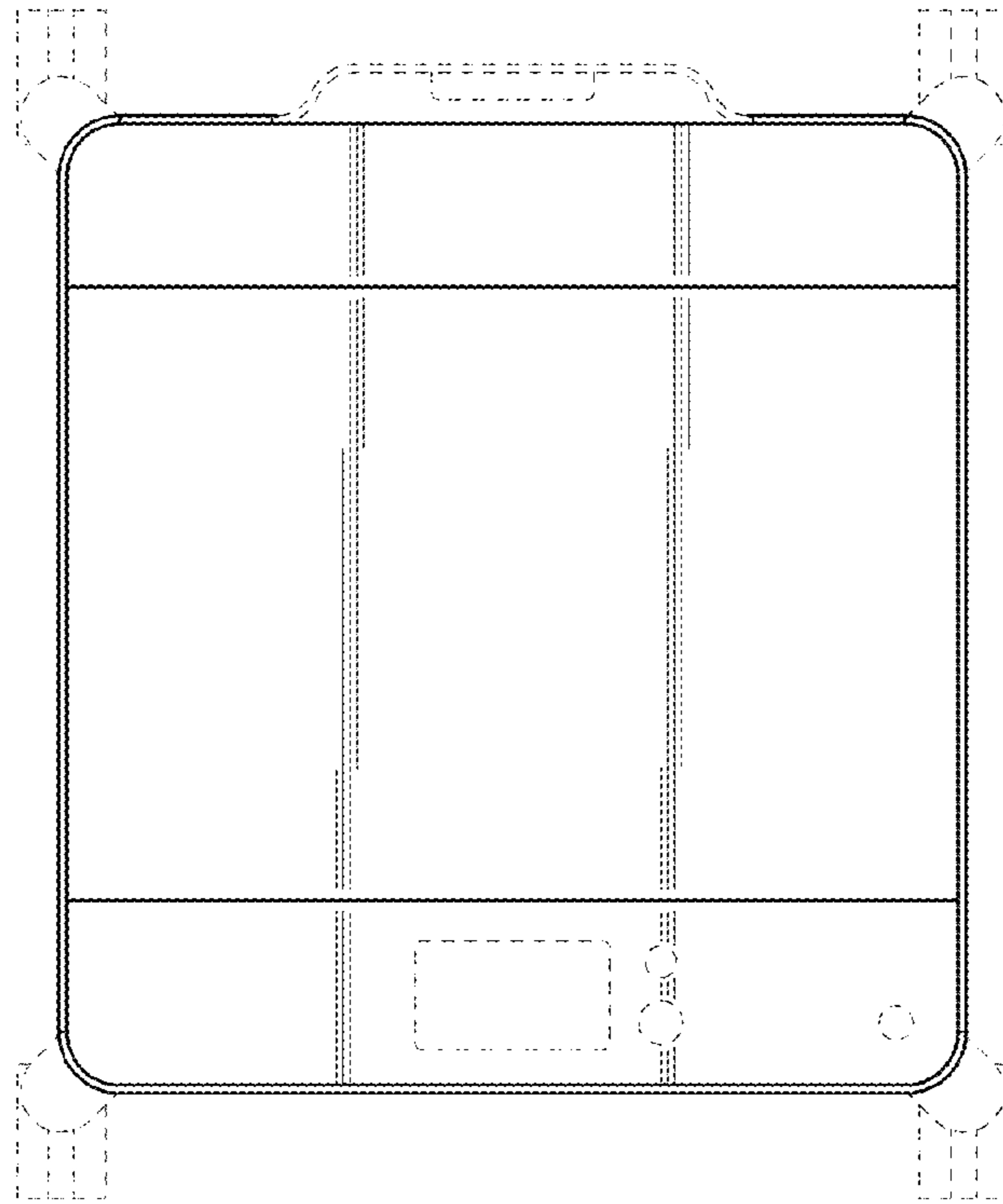


FIG.7

