



US00D764575S

(12) **United States Design Patent**
Cesar et al.

(10) **Patent No.:** **US D764,575 S**

(45) **Date of Patent:** **** *Aug. 23, 2016**

(54) **PRINTER**

(71) Applicant: **Hewlett-Packard Development Company, L.P.**, Houston, TX (US)

(72) Inventors: **Javier Alfonso Cesar**, Barcelona (ES);
Andreina Saranz, Barcelona (ES);
Andreu Oliver Gonzalez, Barcelona (ES); **David Chanclon Fernandez**, Barcelona (ES)

(73) Assignee: **Hewlett-Packard Development Company, L.P.**, Houston, TX (US)

(*) Notice: This patent is subject to a terminal disclaimer.

(**) Term: **14 Years**

(21) Appl. No.: **29/492,741**

(22) Filed: **Jun. 2, 2014**

(51) **LOC (10) Cl.** **18-02**

(52) **U.S. Cl.**
USPC **D18/53**

(58) **Field of Classification Search**
USPC D18/53, 56, 59, 36, 38, 39, 40, 41, 45;
D14/301, 307; 399/16, 75, 81, 131,
399/151, 361, 365, 367, 381-385, 388
CPC ... G06K 15/12; G06K 15/14; H04N 1/00204;
H04N 1/00249; H04N 1/00278

See application file for complete search history.

(56) **References Cited**

U.S. PATENT DOCUMENTS

| | | | | | | |
|-----------|---|---|---------|-----------------|-------|--------|
| D258,446 | S | * | 3/1981 | Beehler et al. | | D18/38 |
| D291,096 | S | * | 7/1987 | Yomo | | D18/55 |
| D312,267 | S | * | 11/1990 | Biggs et al. | | D18/39 |
| D334,768 | S | * | 4/1993 | Katada et al. | | D18/36 |
| 5,237,378 | A | * | 8/1993 | McEwen | | 399/21 |
| D350,767 | S | * | 9/1994 | Kojima et al. | | D18/38 |
| D374,248 | S | * | 10/1996 | Agata et al. | | D18/39 |
| D375,518 | S | * | 11/1996 | Agata et al. | | D18/39 |
| D377,944 | S | * | 2/1997 | Seki et al. | | D18/39 |
| D568,387 | S | * | 5/2008 | Watanabe et al. | | D18/39 |
| D580,482 | S | * | 11/2008 | Munakata et al. | | D18/38 |
| D619,166 | S | * | 7/2010 | Ishizawa et al. | | D18/53 |
| D623,685 | S | * | 9/2010 | Tsukuda et al. | | D18/53 |

* cited by examiner

Primary Examiner — Bridget L Eland

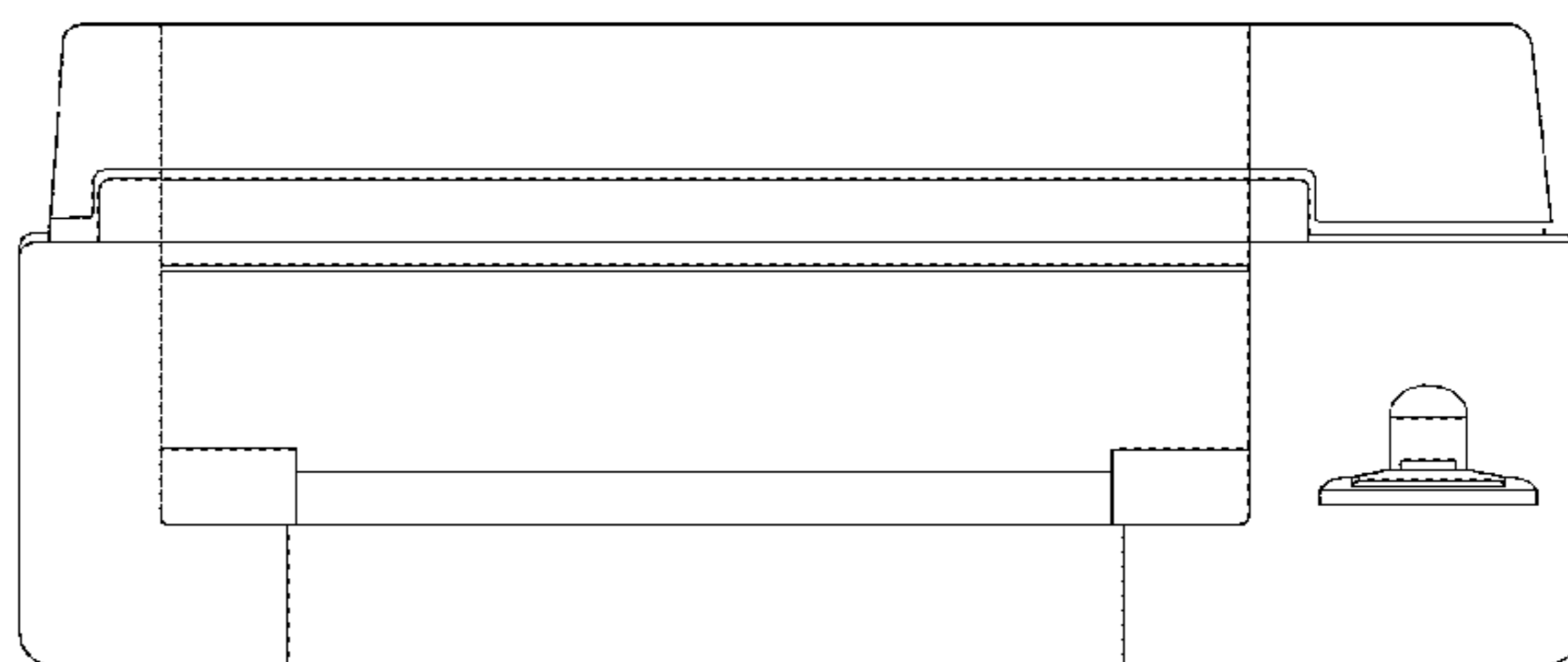
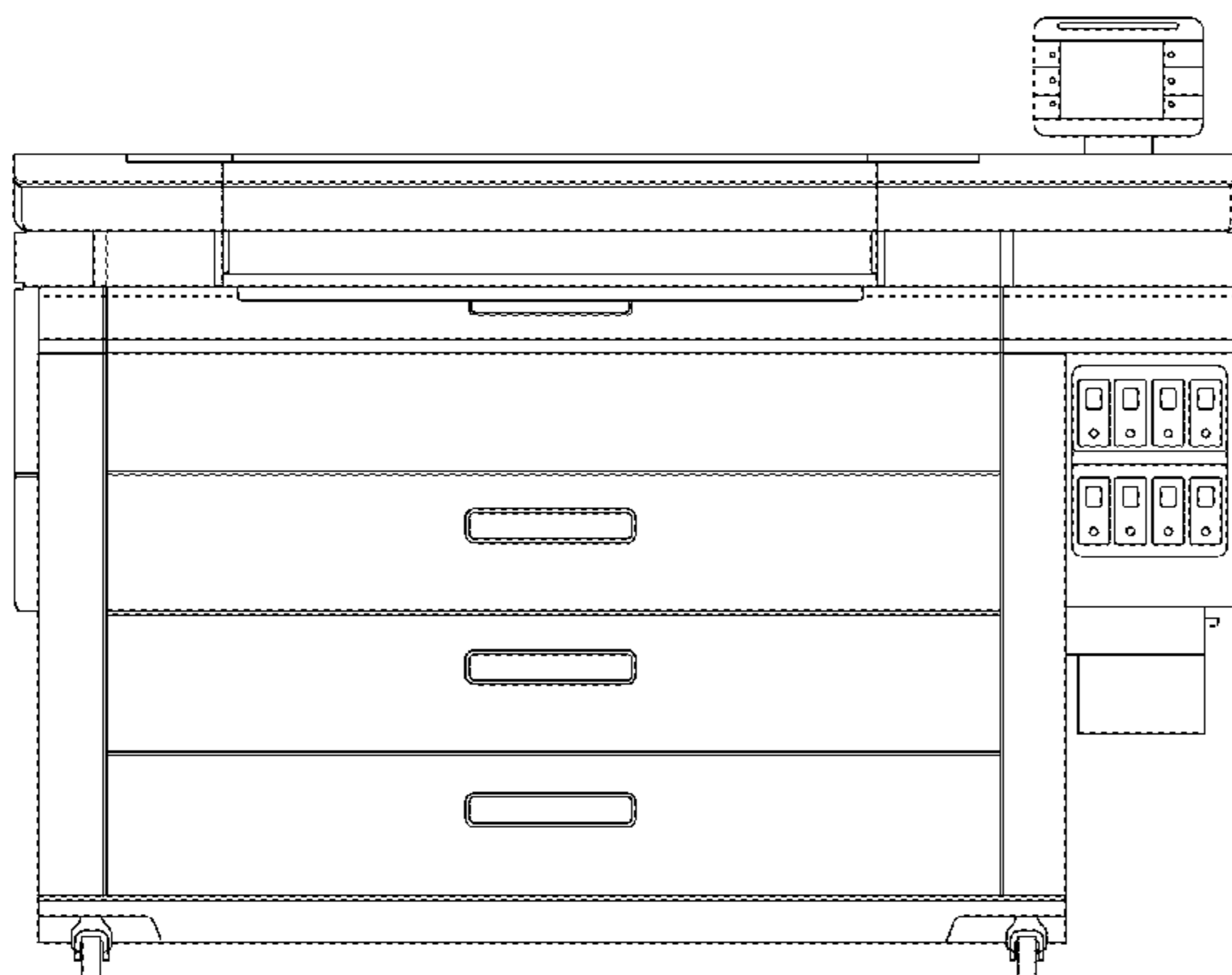
(57) **CLAIM**

We claim the ornamental design for a printer, as shown and described.

DESCRIPTION

FIG. 1 is a left perspective view of a printer;
FIG. 2 is a right perspective view thereof;
FIG. 3 is a front view thereof;
FIG. 4 is a top view thereof;
FIG. 5 is a right side view thereof; and,
FIG. 6 is a left side view thereof.

1 Claim, 6 Drawing Sheets



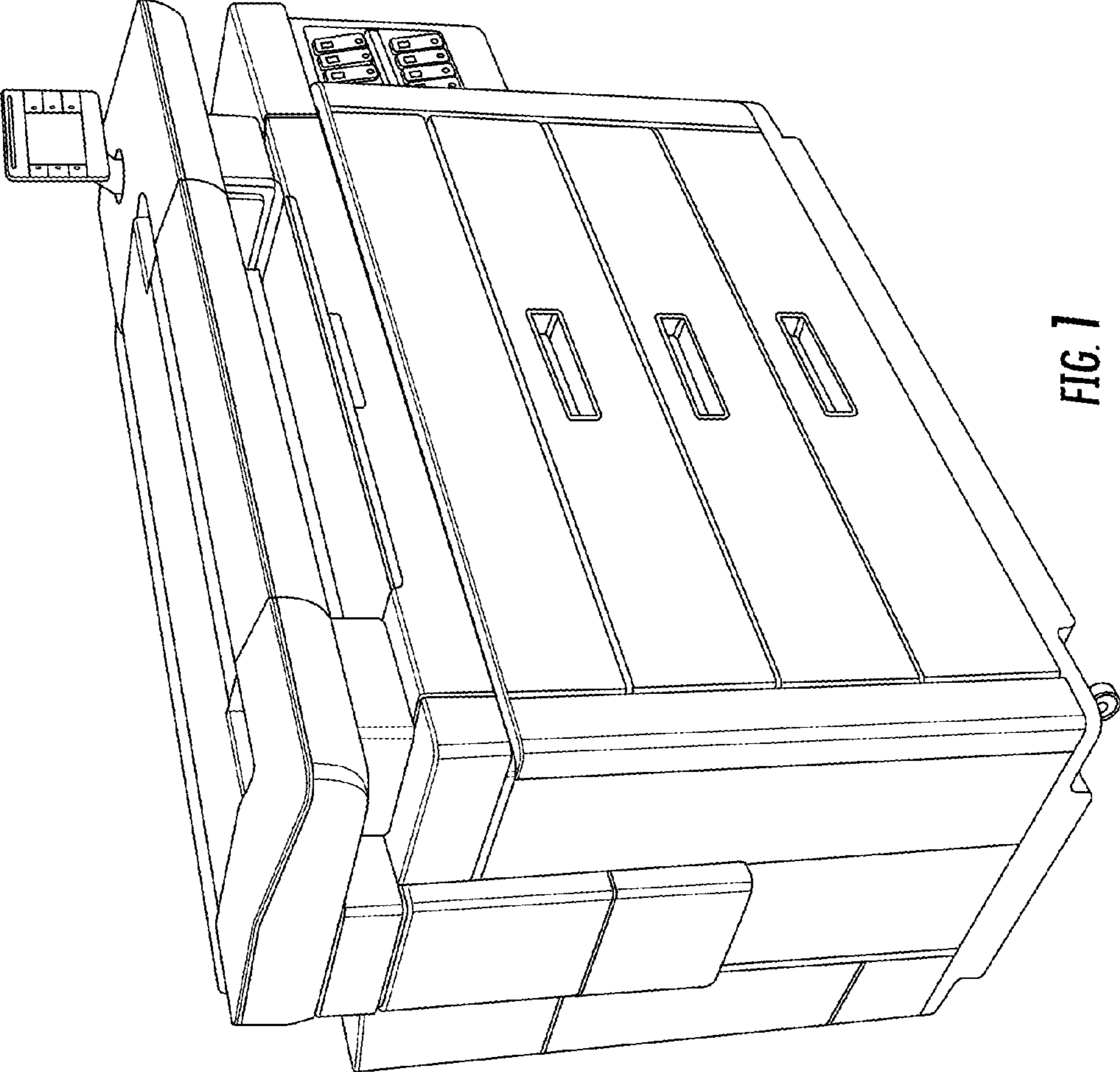


FIG. 1

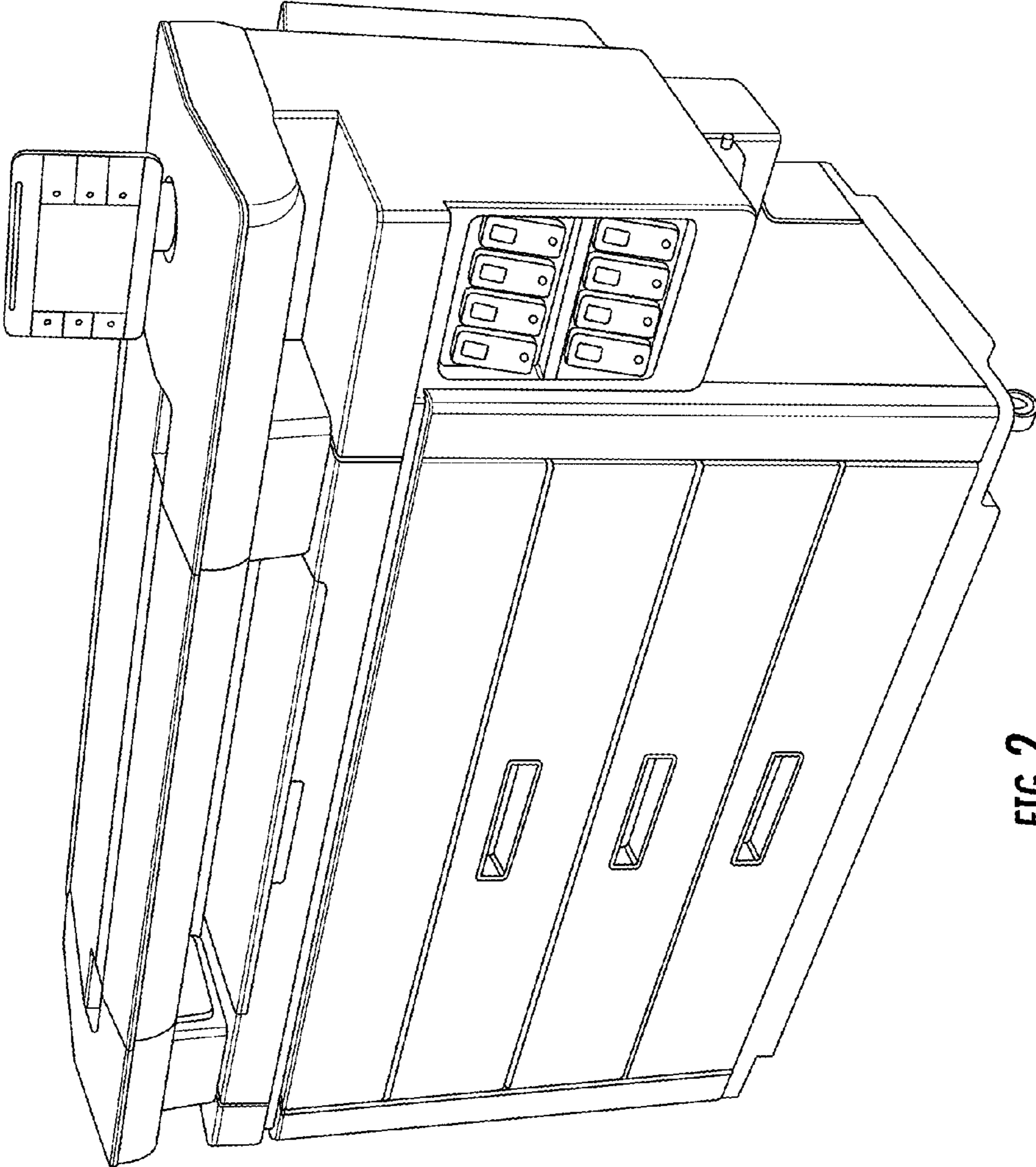


FIG. 2

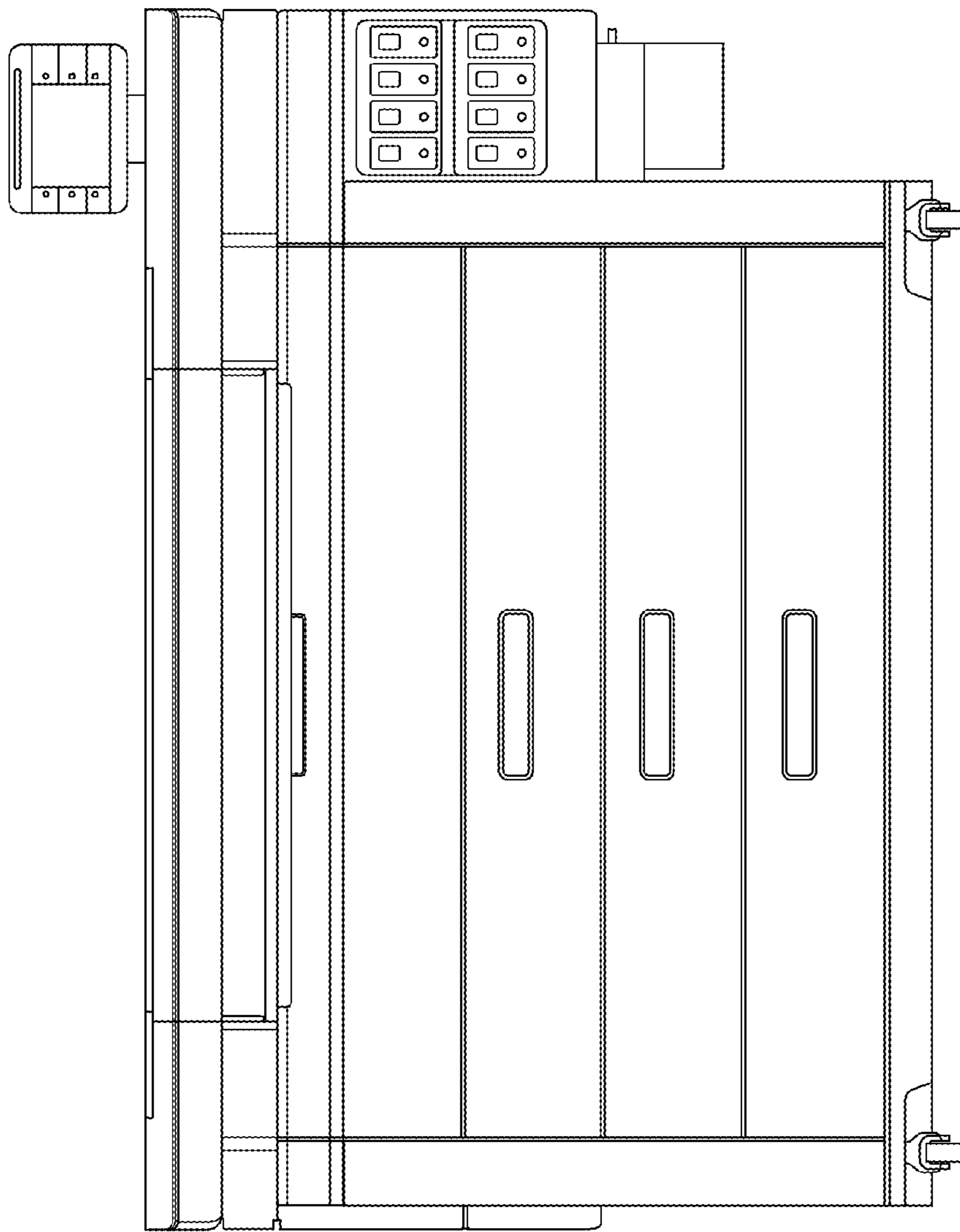


FIG. 3

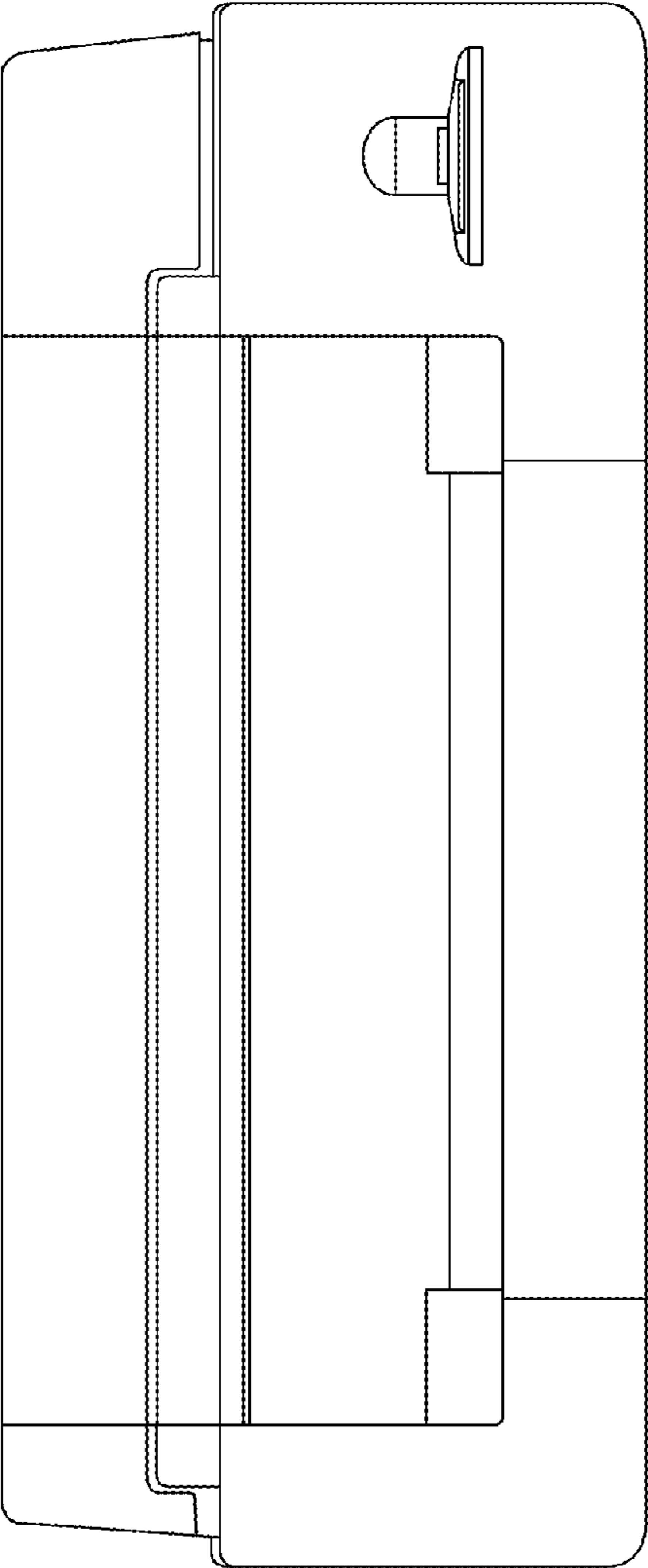


FIG. 4

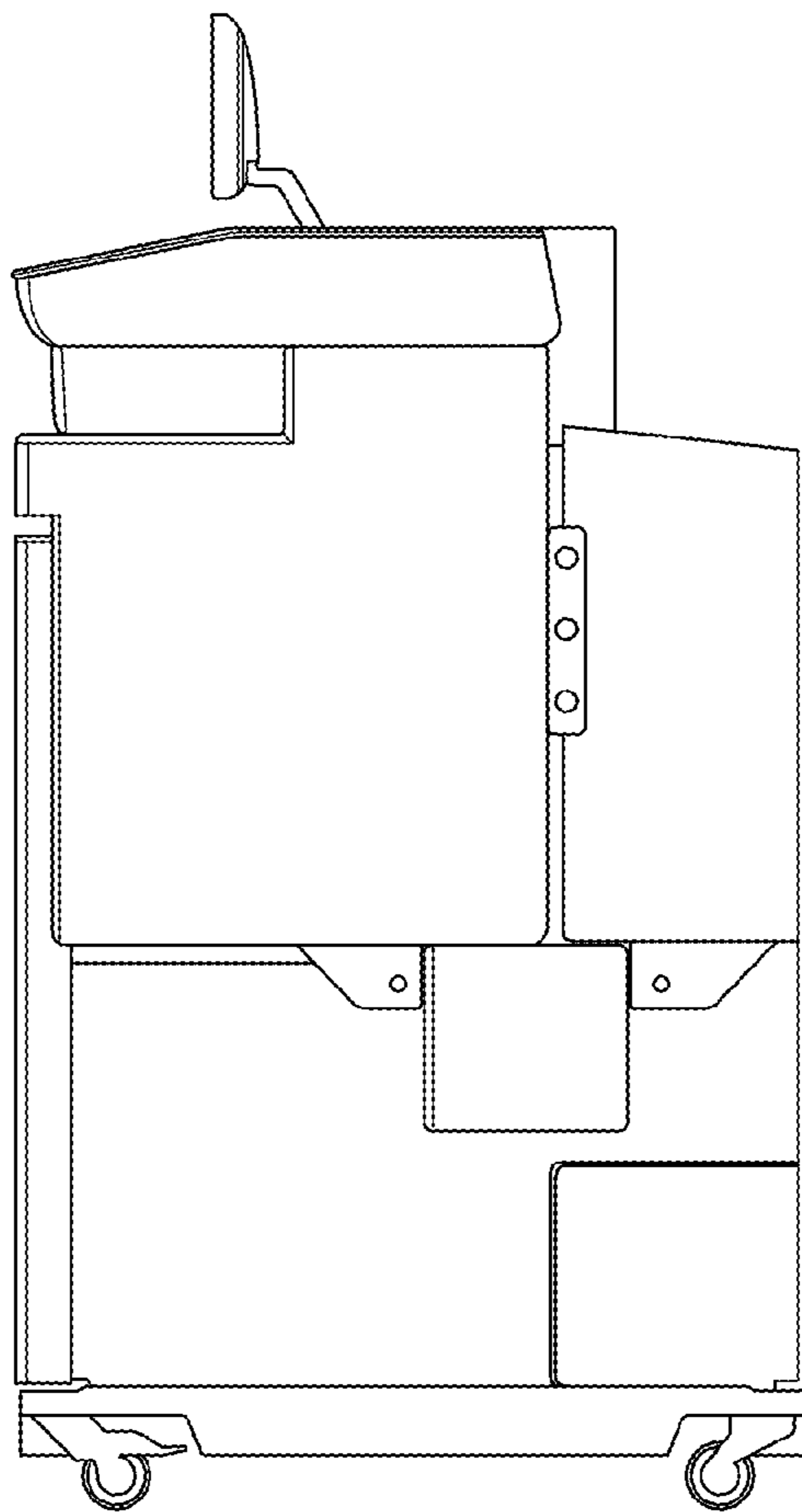


FIG. 5

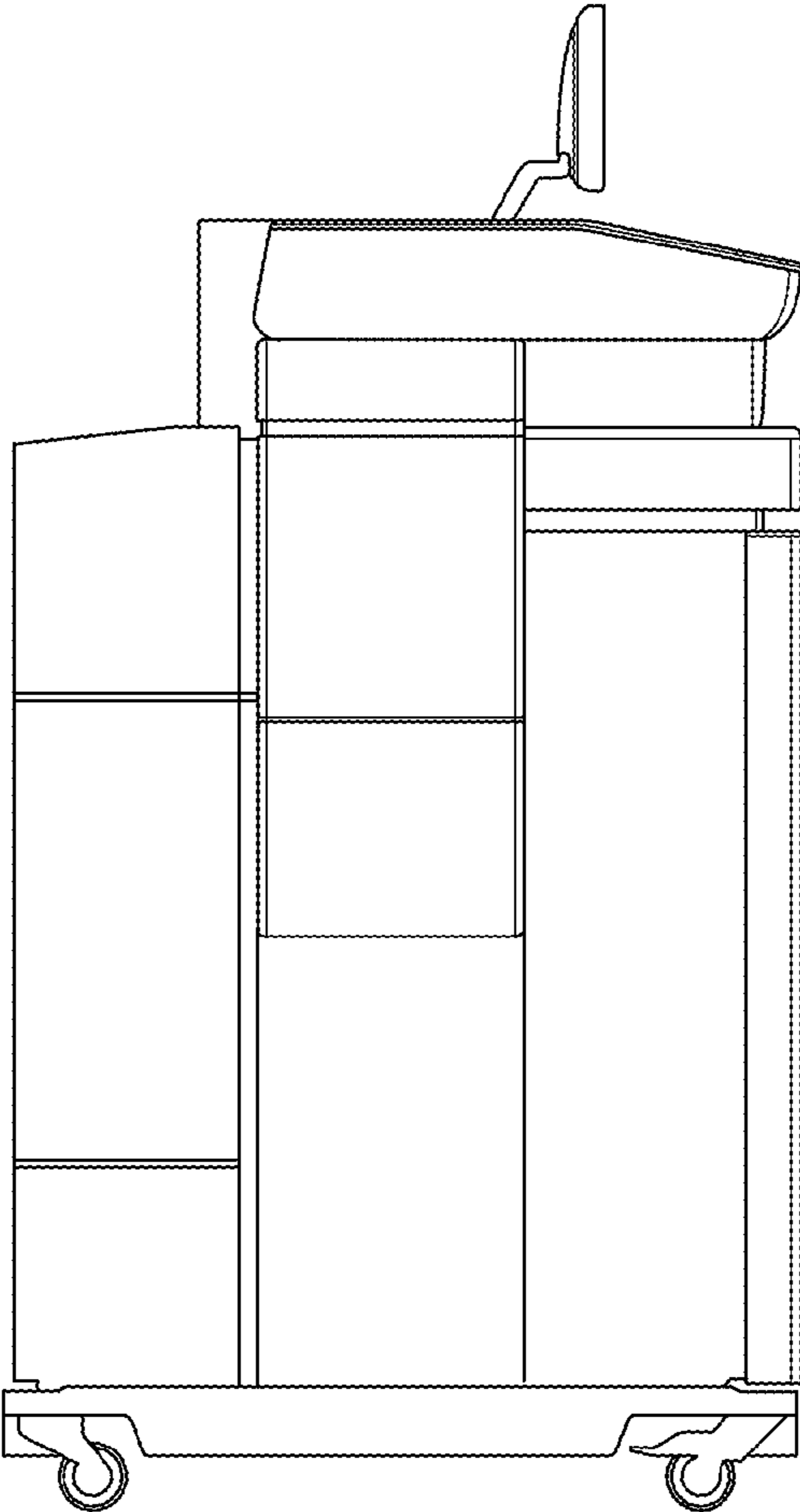


FIG. 6