

US00D764570S

(12) **United States Design Patent**  
**Sallard**

(10) **Patent No.:** **US D764,570 S**

(45) **Date of Patent:** **\*\* Aug. 23, 2016**

(54) **FRAME FOR SUNGLASSES**

(56) **References Cited**

(71) Applicant: **CARTIER CREATION STUDIO SA**,  
Geneva (CH)

U.S. PATENT DOCUMENTS

(72) Inventor: **Emmanuelle Sallard**, Paris (FR)

D137,132 S *	1/1944	Grossman	.....	D16/329
D153,287 S *	4/1949	Howell	.....	D16/328
D257,985 S *	1/1981	Canavan, III	.....	D16/329
D280,731 S *	9/1985	Haas	.....	D16/324
D285,089 S *	8/1986	Haas	.....	D16/324
D308,065 S *	5/1990	Haas	.....	D16/324
D735,264 S *	7/2015	Markovitz	.....	D16/326
D737,885 S *	9/2015	Markovitz	.....	D16/326
D737,888 S *	9/2015	Markovitz	.....	D16/326

(73) Assignee: **Cartier International AG**, Steinhausen  
(CH)

(\*\*) Term: **15 Years**

\* cited by examiner

(21) Appl. No.: **29/528,828**

*Primary Examiner* — Raphael Barkai

(22) Filed: **Jun. 1, 2015**

(74) *Attorney, Agent, or Firm* — Taft Stettinius & Hollister  
LLP

(30) **Foreign Application Priority Data**

(57) **CLAIM**

Dec. 11, 2014 (WO) ..... DM/085104

The ornamental design for a frame for sunglasses, as shown  
and described.

(51) **LOC (10) Cl.** ..... **16-06**

**DESCRIPTION**

(52) **U.S. Cl.**

USPC ..... **D16/327**; D16/324; D16/326; D16/335

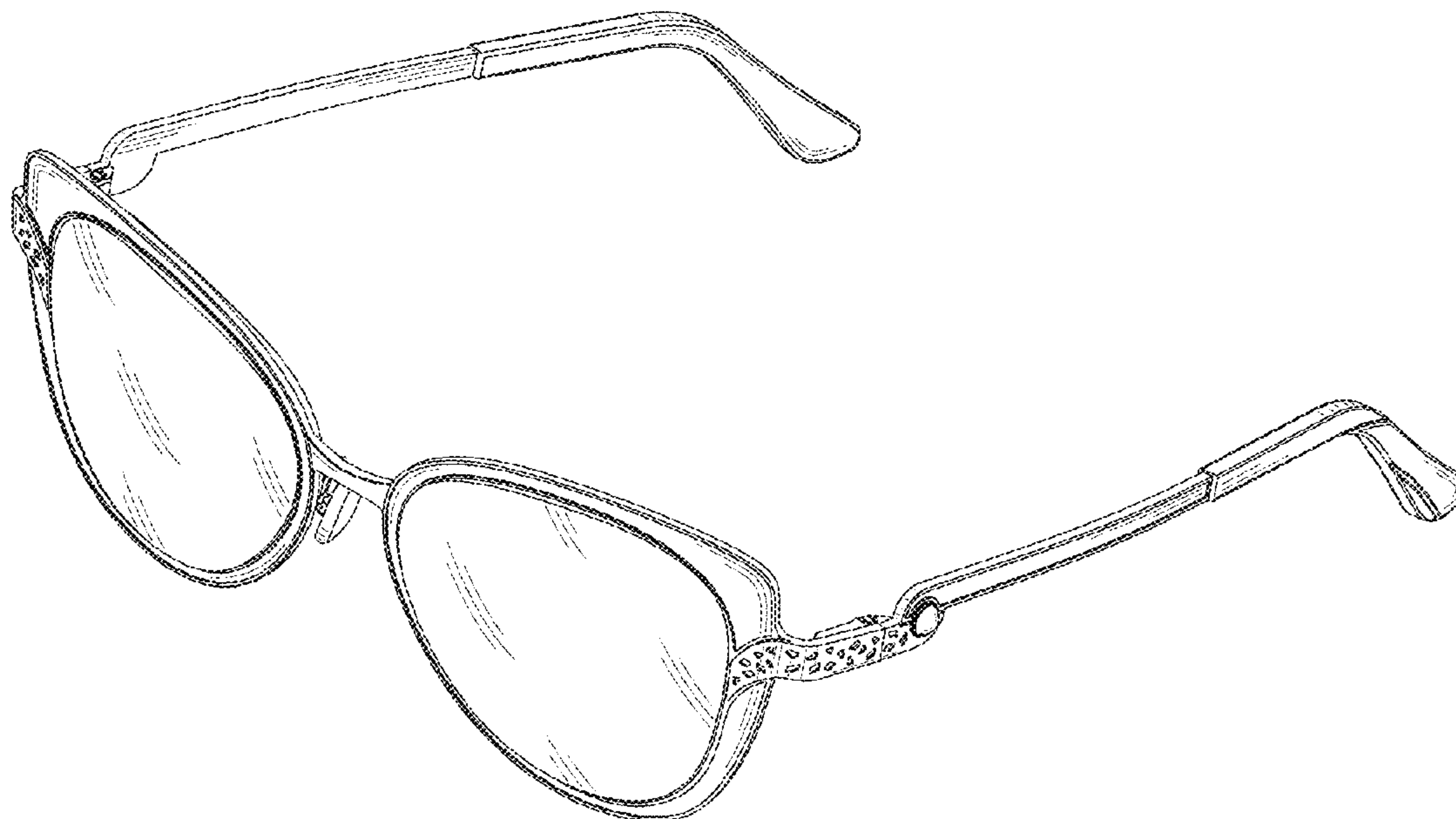
(58) **Field of Classification Search**

USPC ..... D16/101, 300–342, 900; D29/109–110;  
351/41, 44, 51–52, 62, 158, 92,  
351/103–123, 140–153, 63, 59, 45–48;  
2/426–432, 447–449, 441, 434–437,  
2/440, 442, 13, 15; D21/483, 659–661;  
D14/372; D8/356

CPC ..... G02C 2200/08; G02C 1/06; G02C 5/14;  
G02C 11/02; G02C 11/04; G01C 5/16;  
A61M 2021/0044; A63B 33/002

See application file for complete search history.

**1 Claim, 4 Drawing Sheets**



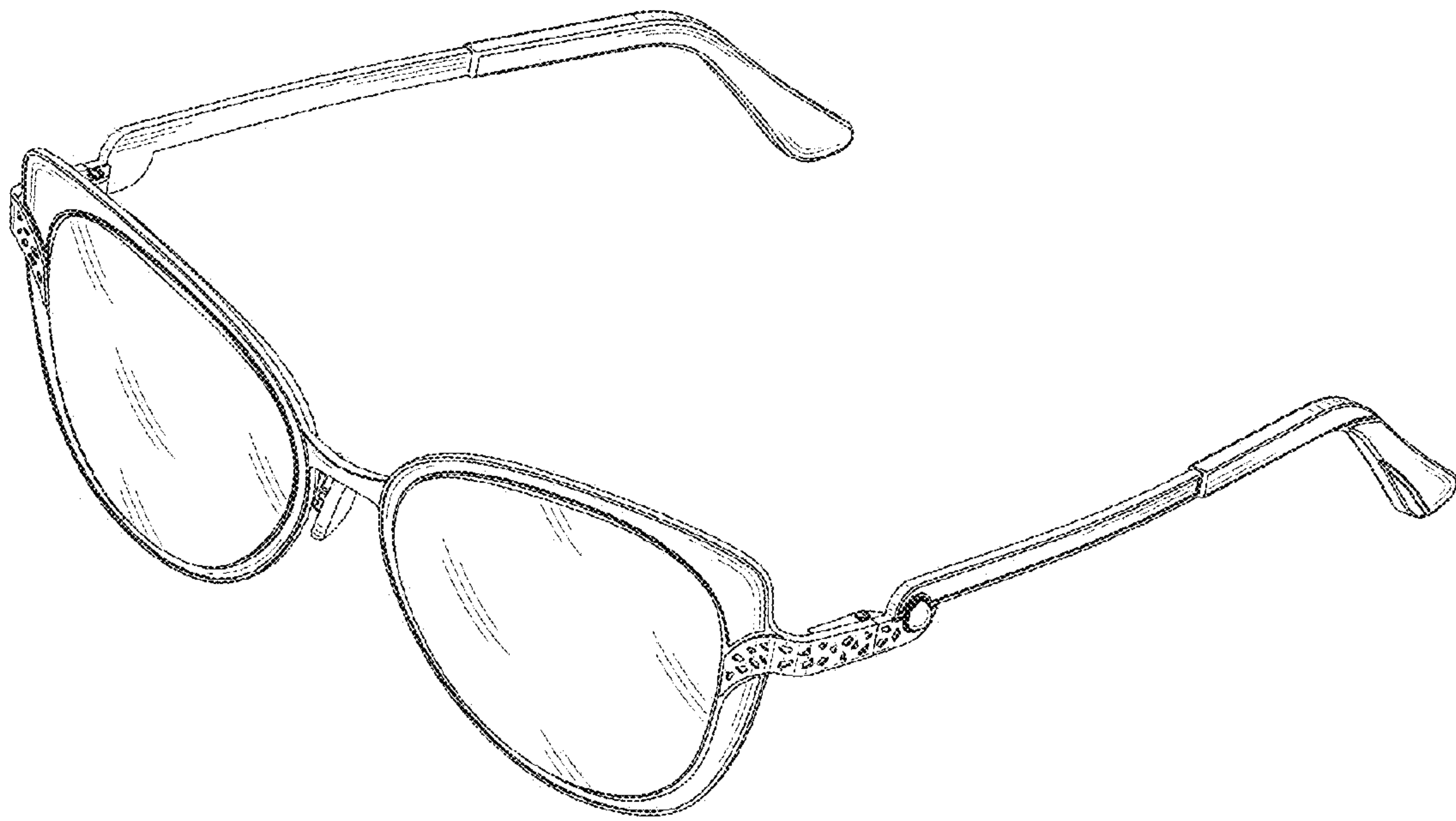


FIG. 1

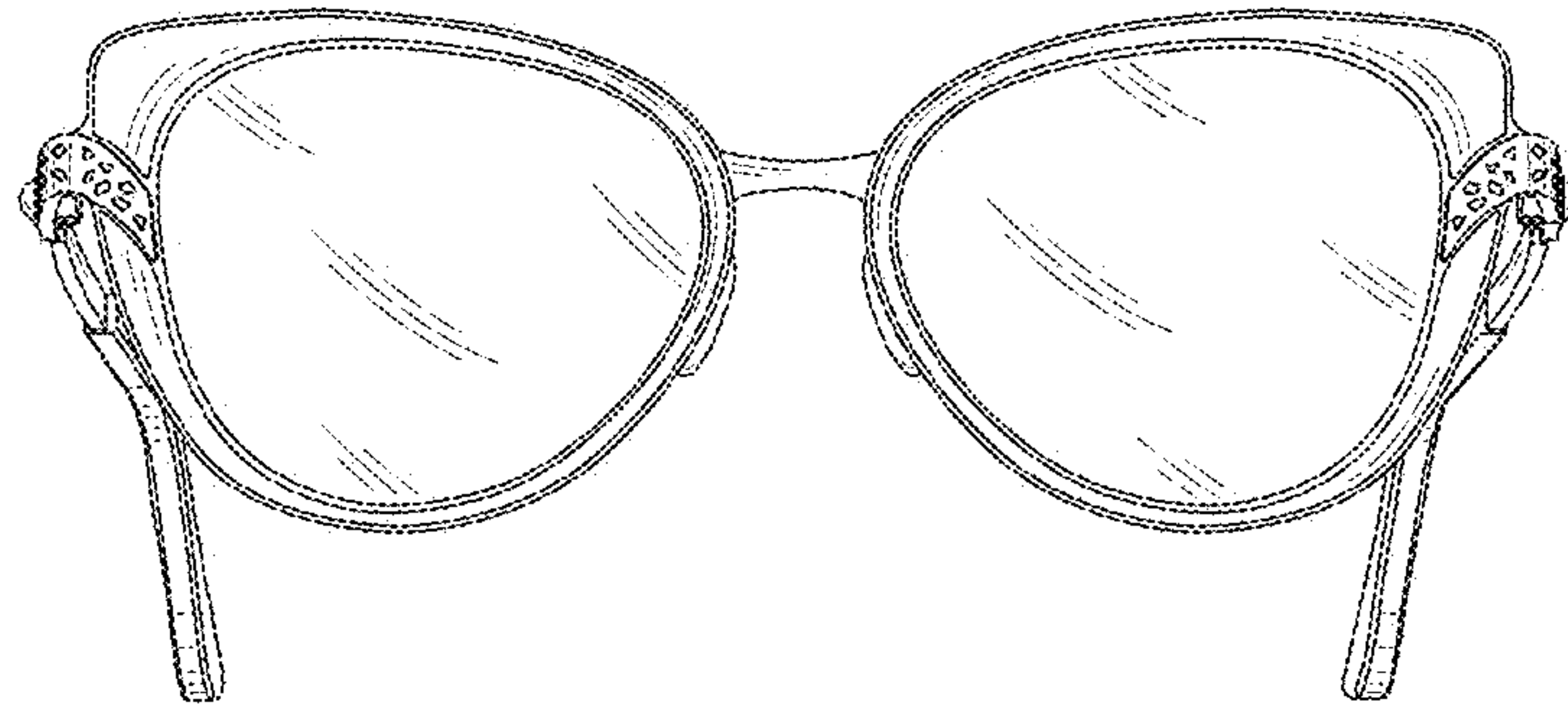


FIG. 2

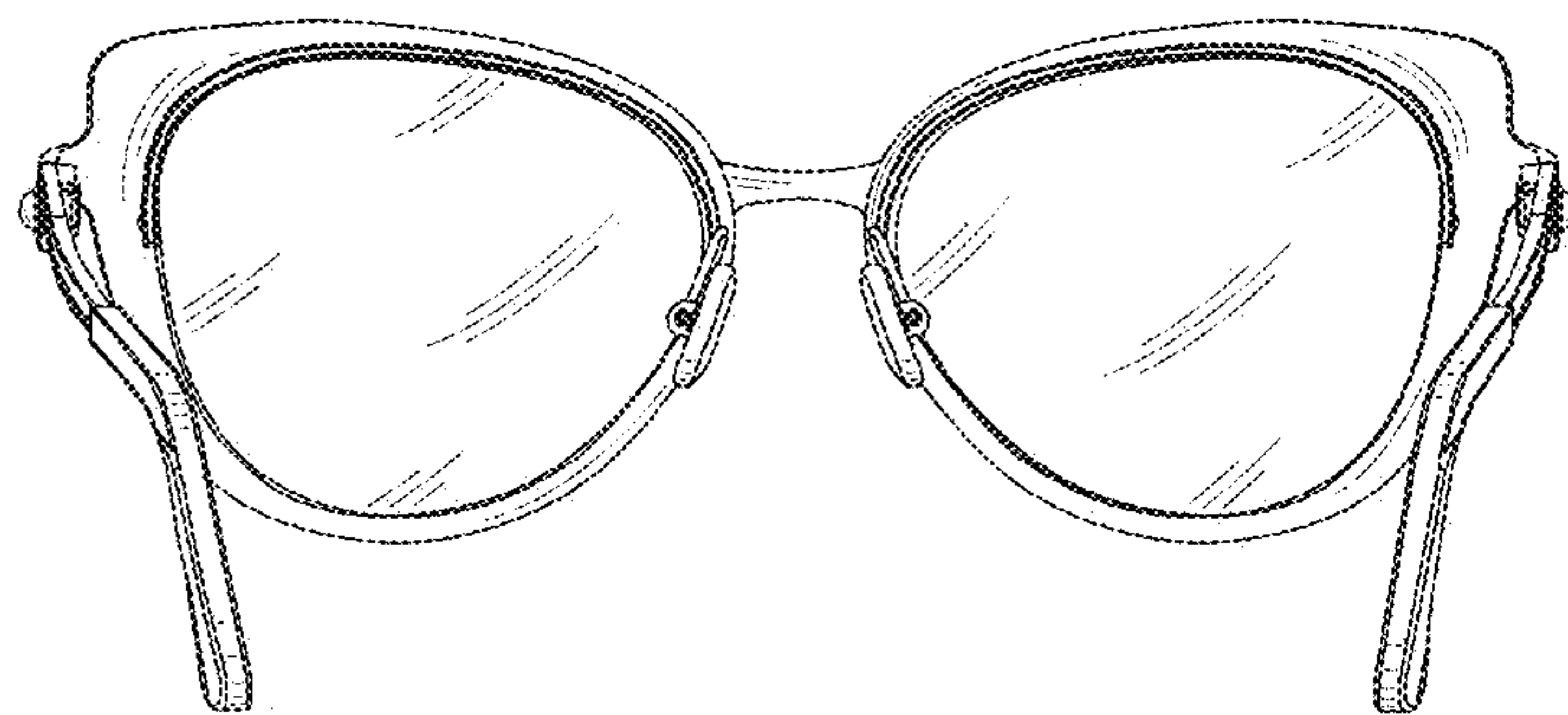


FIG. 3

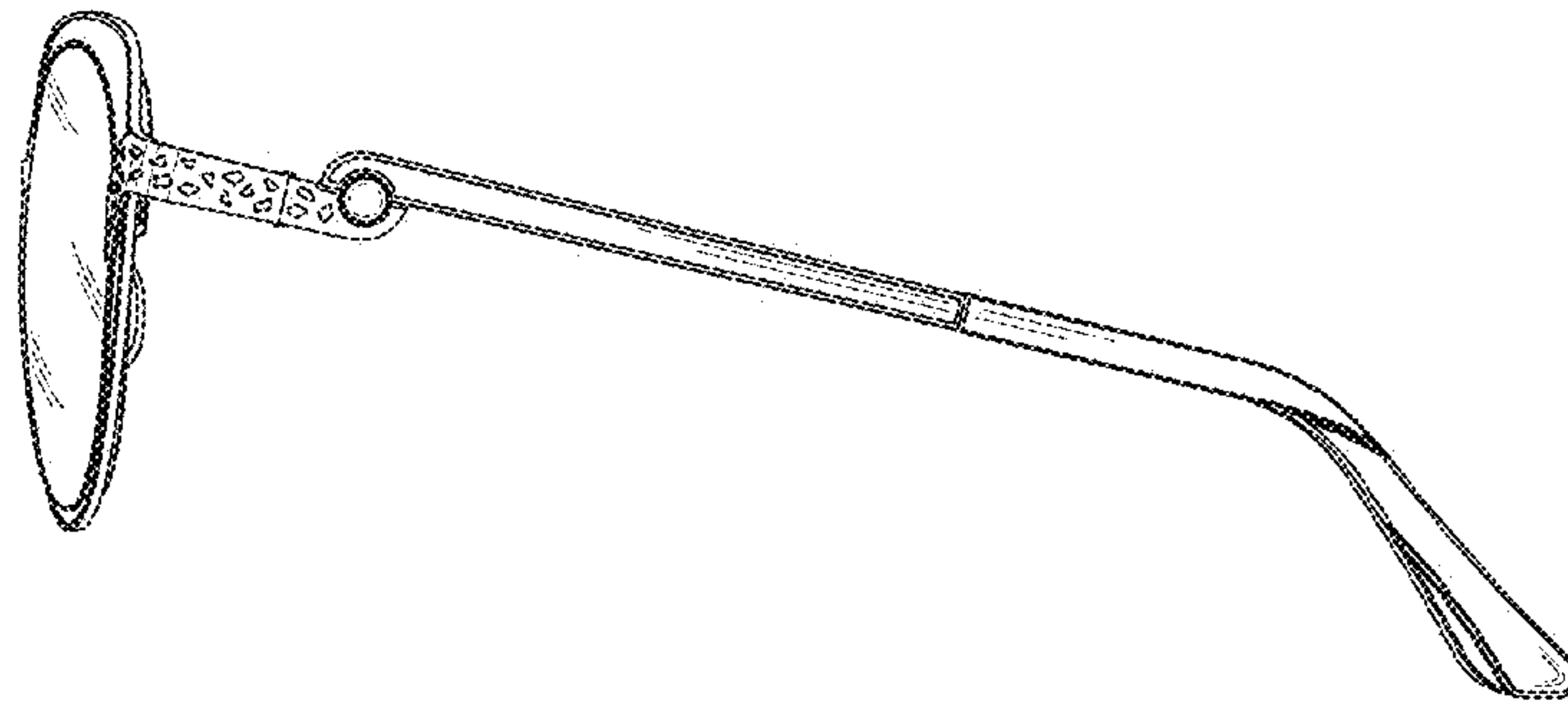


FIG. 4

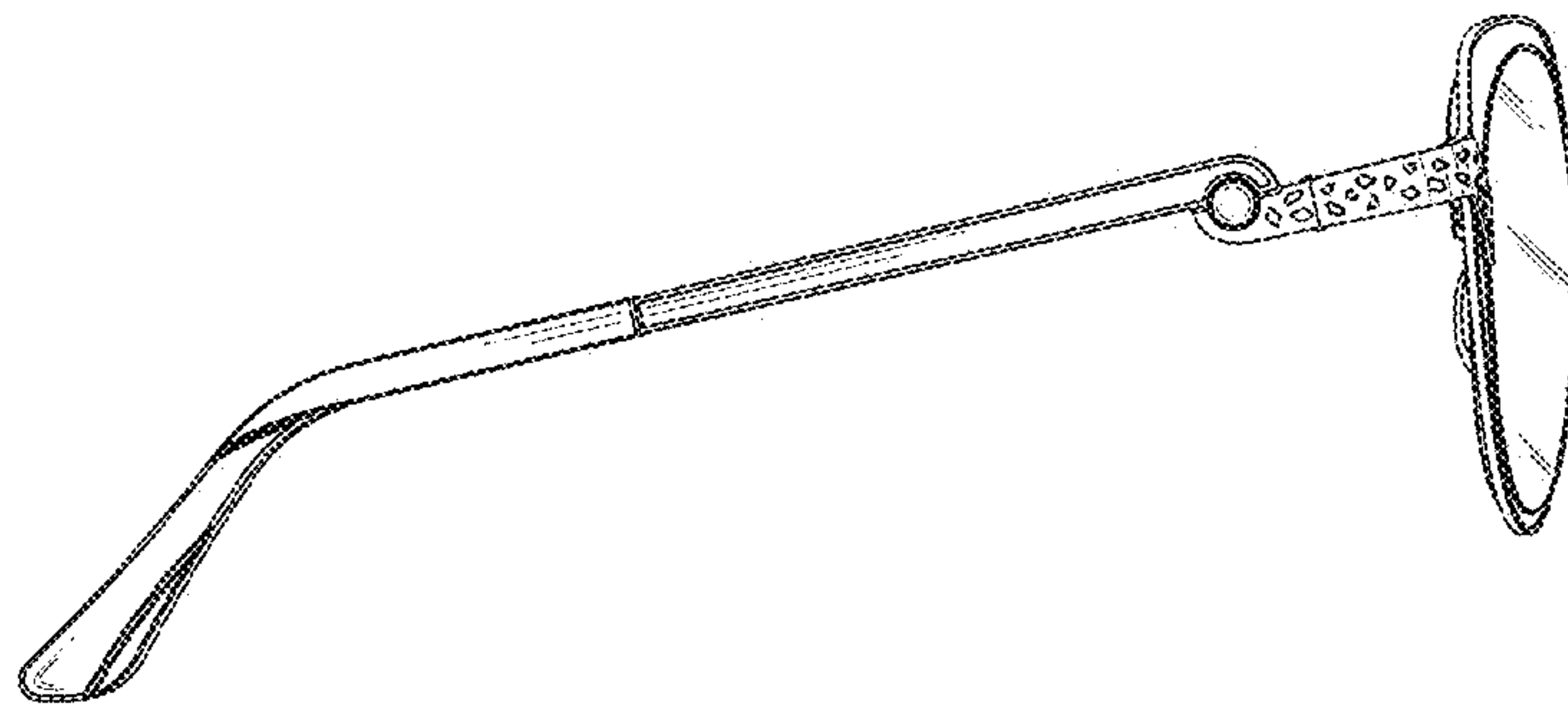


FIG. 5



FIG. 6

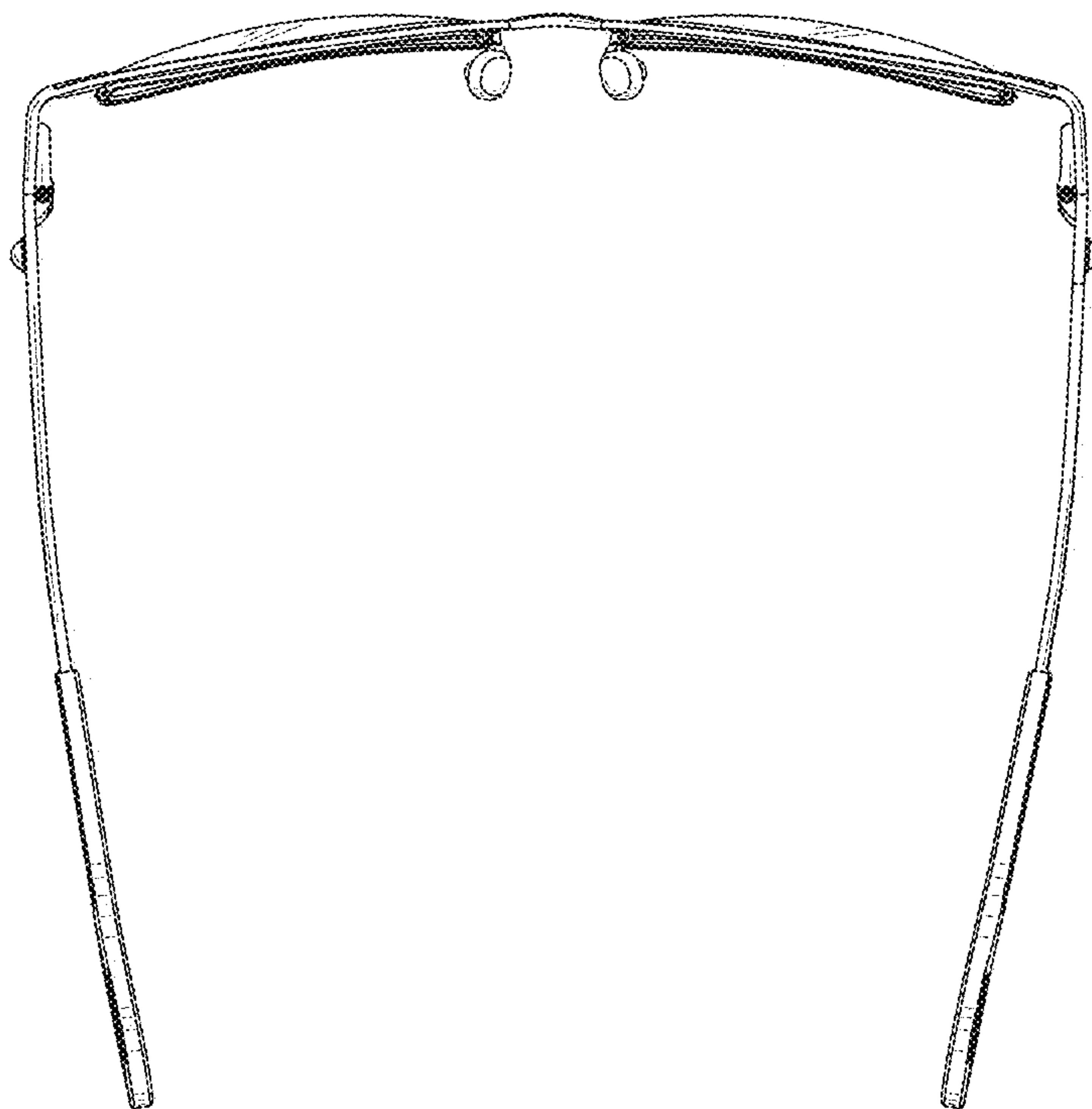


FIG. 7