



US00D764567S

(12) **United States Design Patent**
Bennett et al.

(10) **Patent No.:** **US D764,567 S**
(45) **Date of Patent:** **** Aug. 23, 2016**

(54) **CAMERA MOUNT**

(71) Applicant: **GoPro, Inc.**, San Mateo, CA (US)

(72) Inventors: **Eric McCallister Bennett**, Foster City, CA (US); **Mark Costa**, Menlo Park, CA (US)

(73) Assignee: **GoPro, Inc.**, San Mateo, CA (US)

(**) Term: **14 Years**

(21) Appl. No.: **29/523,743**

(22) Filed: **Apr. 13, 2015**

(51) **LOC (10) Cl.** **16-05**

(52) **U.S. Cl.**
USPC **D16/242**

(58) **Field of Classification Search**
USPC D16/134, 136, 208, 213–219, 235,
D16/237–245, 250; D14/203.4, 218, 224,
D14/250–253, 345, 440, 449; D8/363, 373,
D8/394

CPC G03B 17/02–17/04; G03B 17/14;
G03B 17/56; G03B 17/561–17/568; G03B
21/20–21/2066; G03B 15/041–15/0436;
G02B 7/02–7/04; G02B 7/14; H04N
5/2251–5/2554; F16M 11/02; F16M 11/20;
F16M 11/40

See application file for complete search history.

(56) **References Cited**

U.S. PATENT DOCUMENTS

D382,287 S * 8/1997 Palmer D16/237
6,293,449 B1 * 9/2001 McGuire B62J 11/00
224/420

D448,657 S * 10/2001 Calvert D8/394
D450,233 S * 11/2001 Ward D8/373
D564,866 S * 3/2008 Ellery D8/373
D591,324 S * 4/2009 Sukhov D16/242
D635,445 S * 4/2011 Foresman D8/354
D672,225 S * 12/2012 Virnig D8/373
D697,545 S * 1/2014 Jang D16/240
D705,338 S * 5/2014 Choltco-Devlin D16/242
D719,605 S * 12/2014 Dordick D16/245
9,161,110 B1 * 10/2015 Patsis B62J 3/00
2015/0192242 A1 * 7/2015 Zhang F16M 13/02
248/176.3

* cited by examiner

Primary Examiner — Vy Koenig

(74) *Attorney, Agent, or Firm* — Fenwick & West LLP

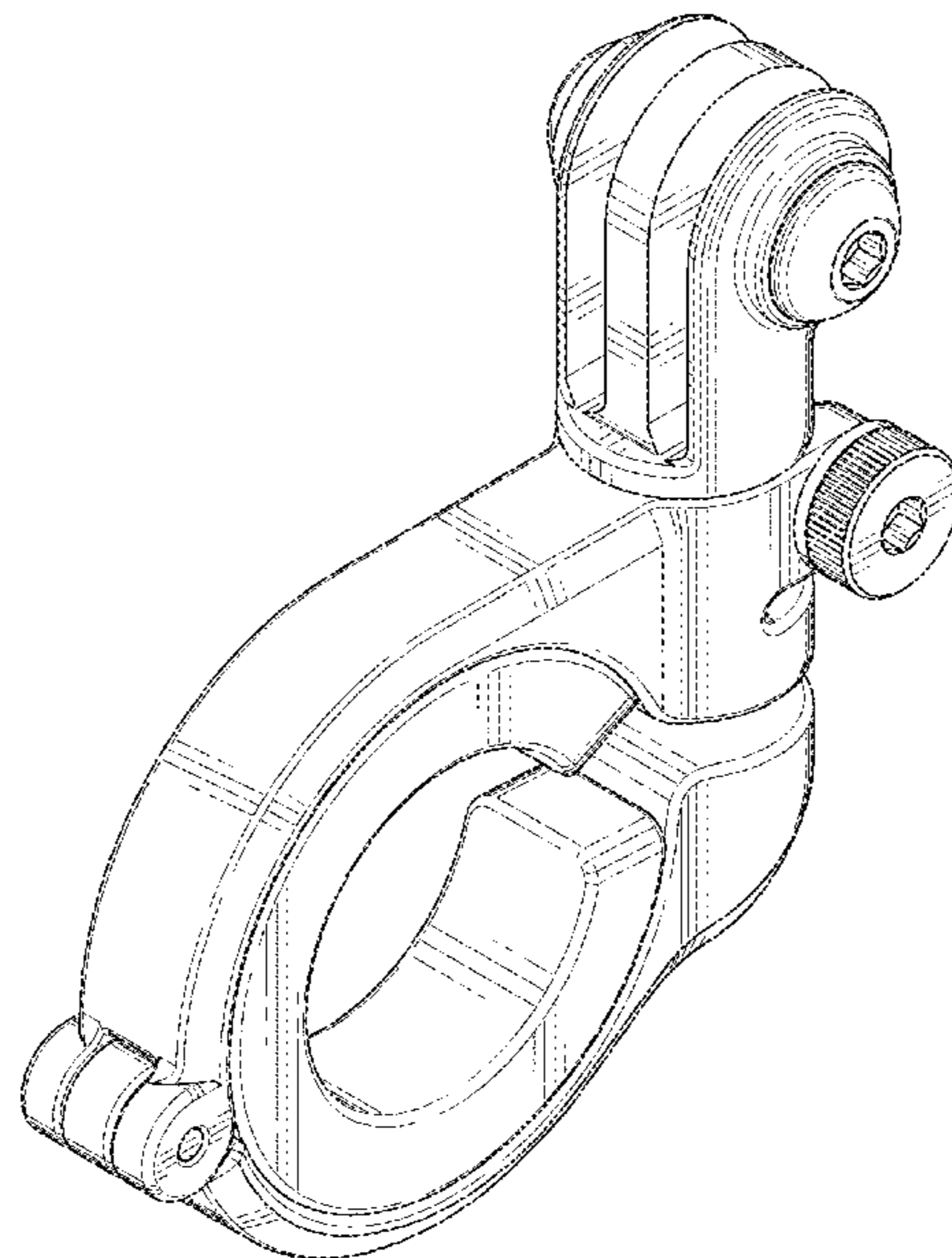
(57) **CLAIM**

The ornamental design for a camera mount, as shown and described.

DESCRIPTION

FIG. 1 is a front, top, and right side perspective view of a camera mount;
FIG. 2 is a rear, bottom, and right side perspective view thereof;
FIG. 3 is a right side elevational view thereof;
FIG. 4 is a left side elevational view thereof;
FIG. 5 is a front elevational view thereof;
FIG. 6 is a rear elevational view thereof;
FIG. 7 is a top plan view thereof; and,
FIG. 8 is a bottom plan view thereof.
The broken lines depict portions of the camera mount that form no part of the claimed design.

1 Claim, 8 Drawing Sheets



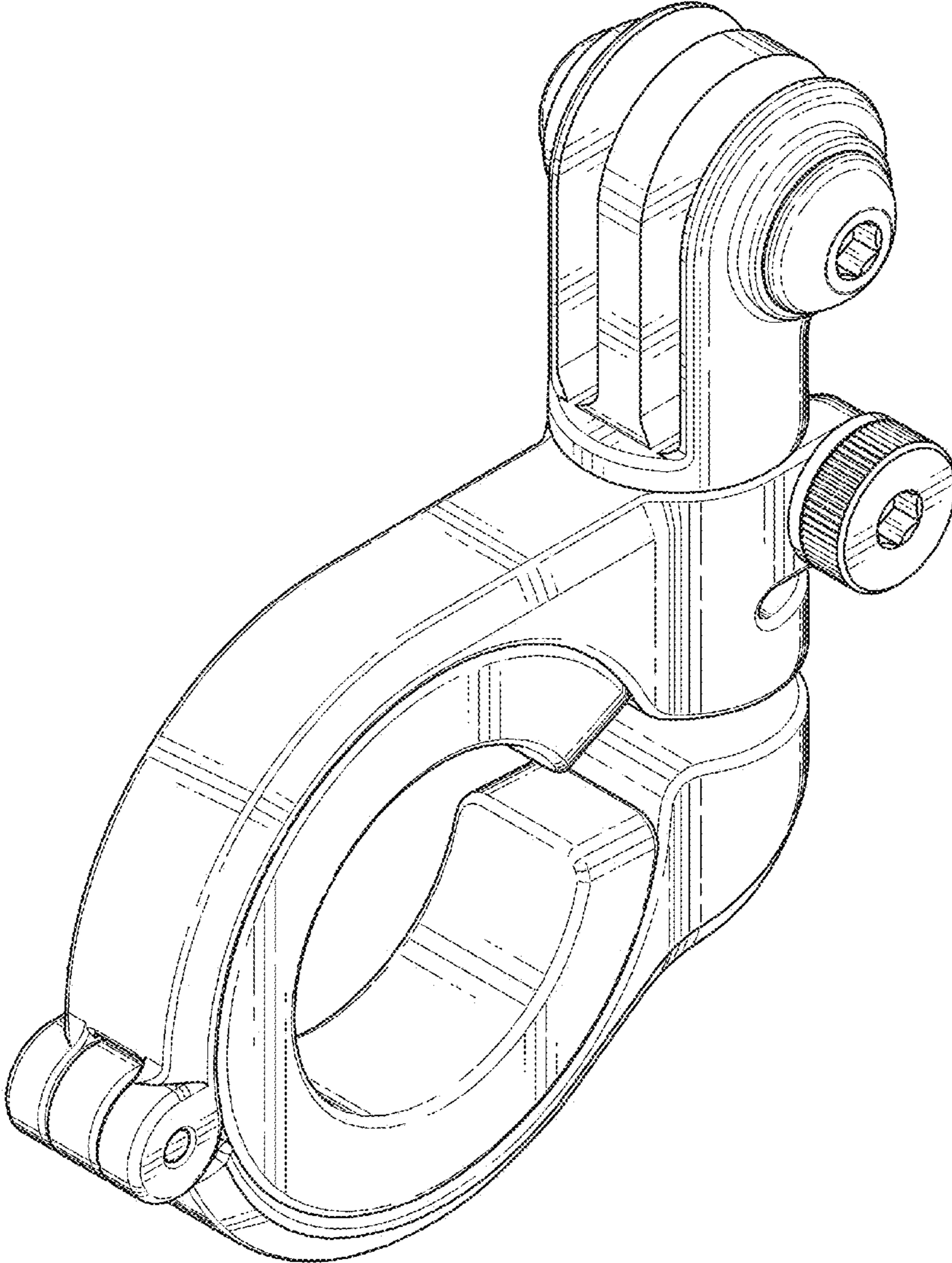


FIG. 1

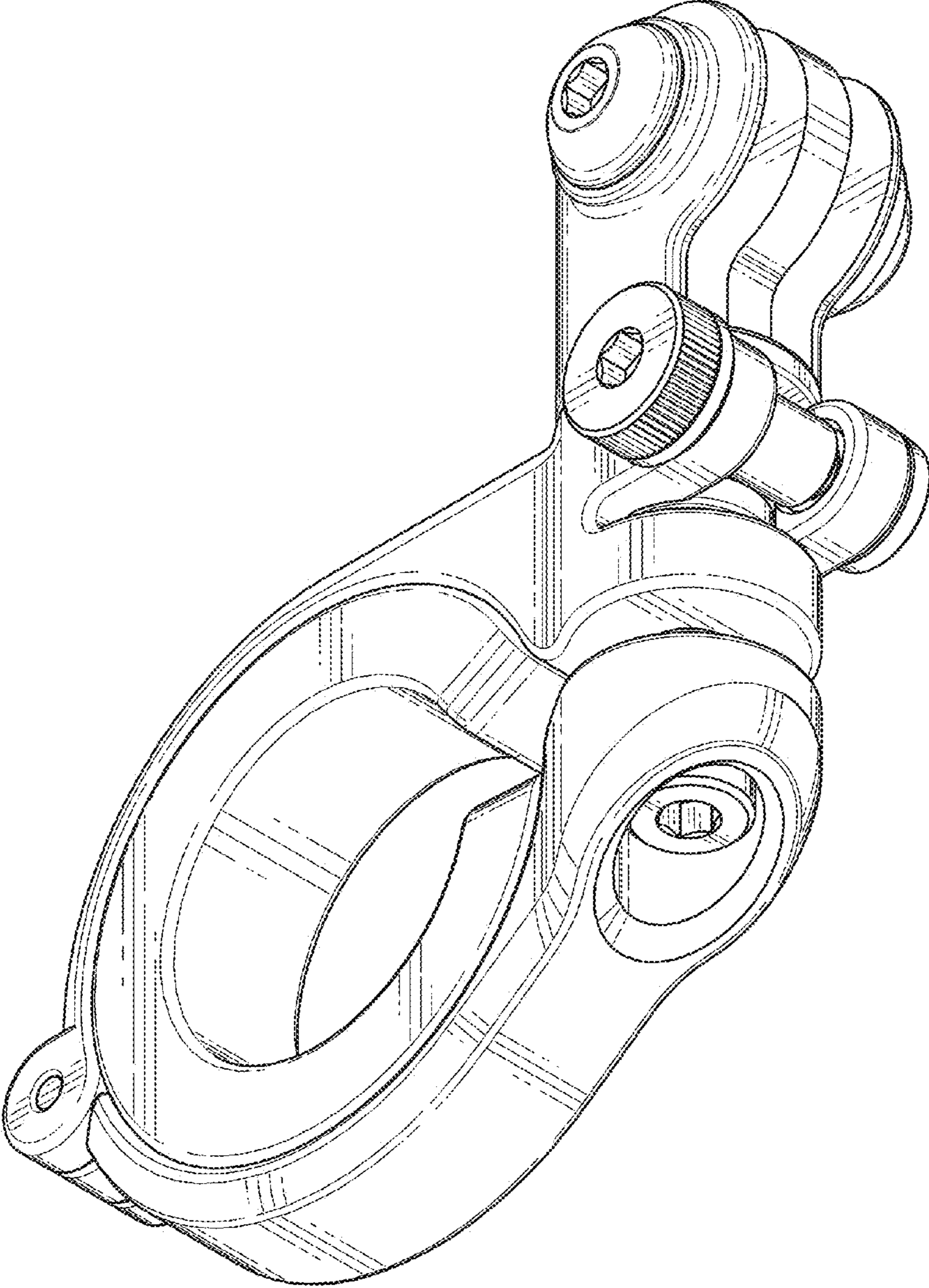


FIG. 2

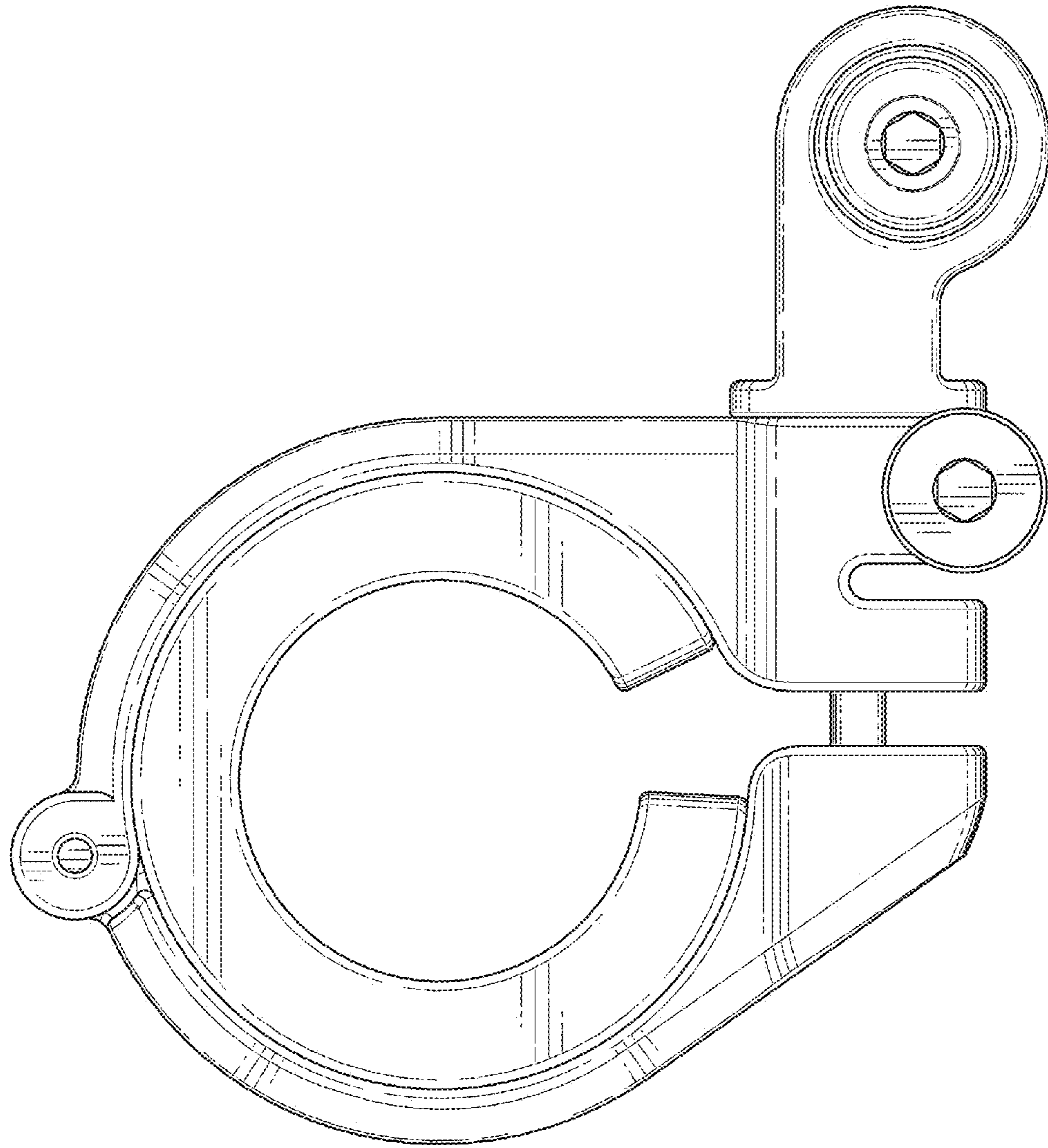


FIG. 3

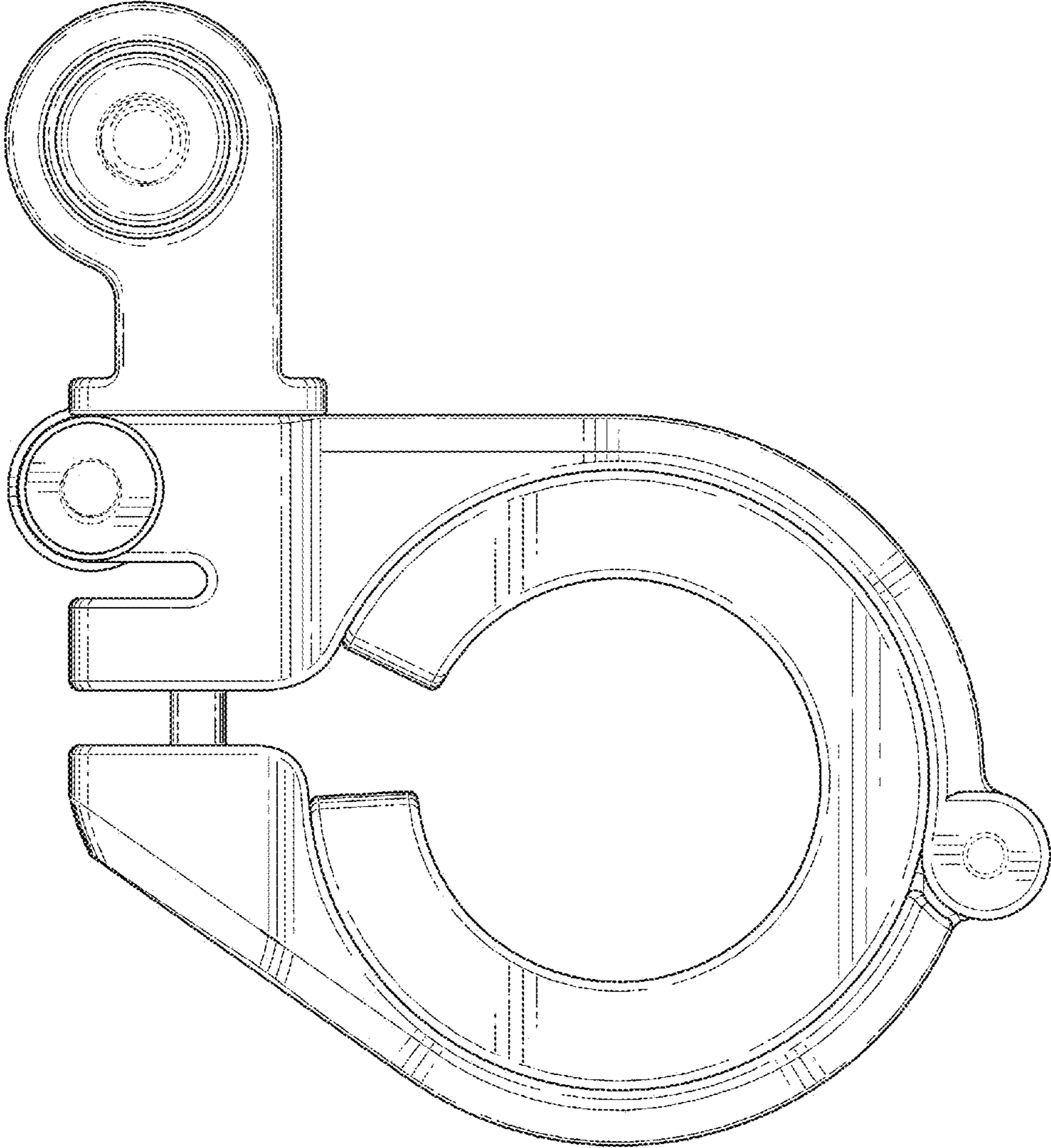


FIG. 4

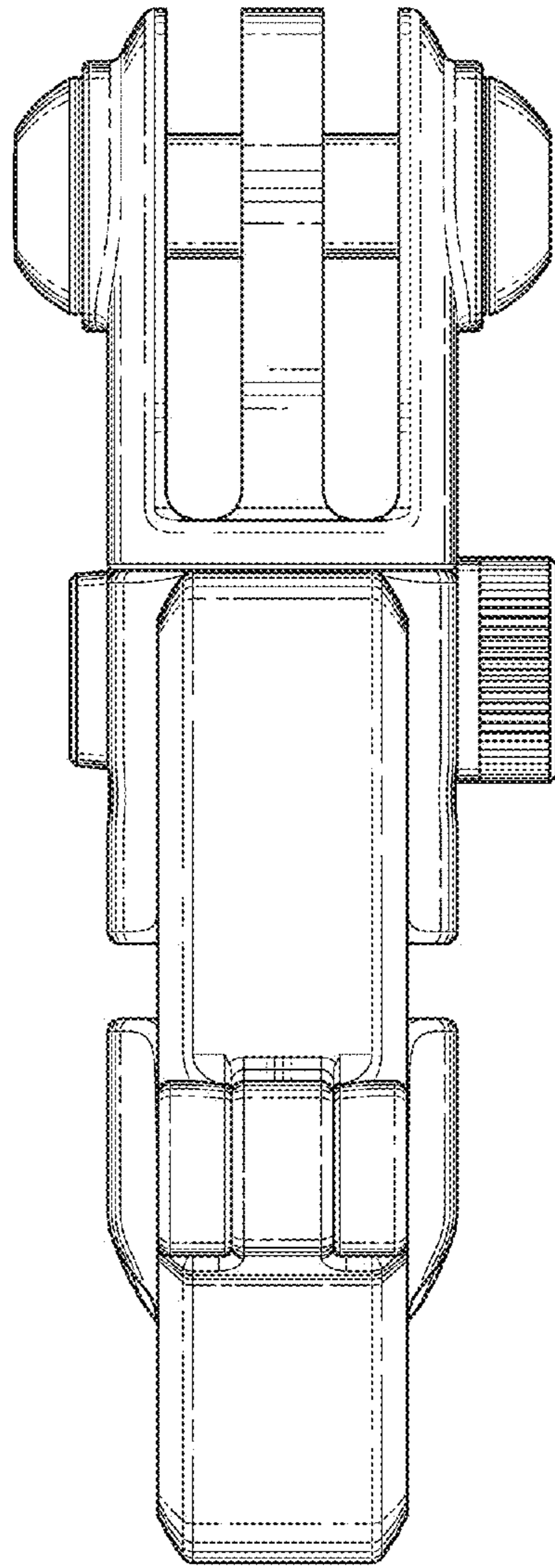


FIG. 5

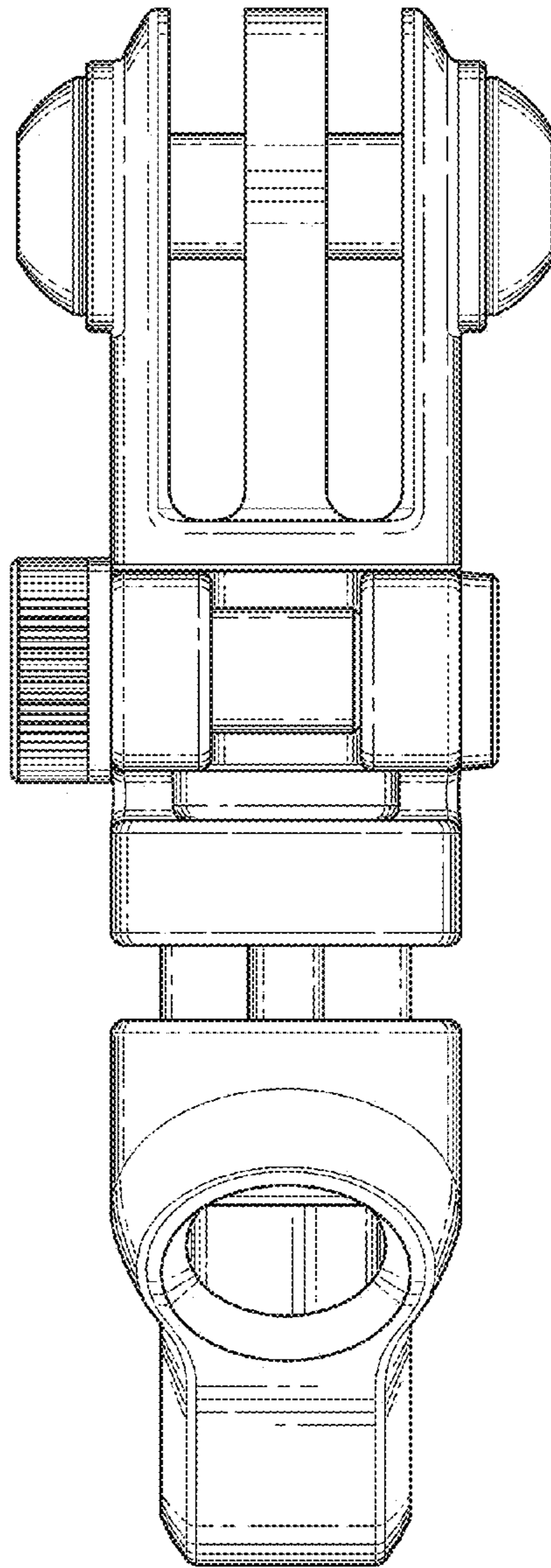


FIG. 6

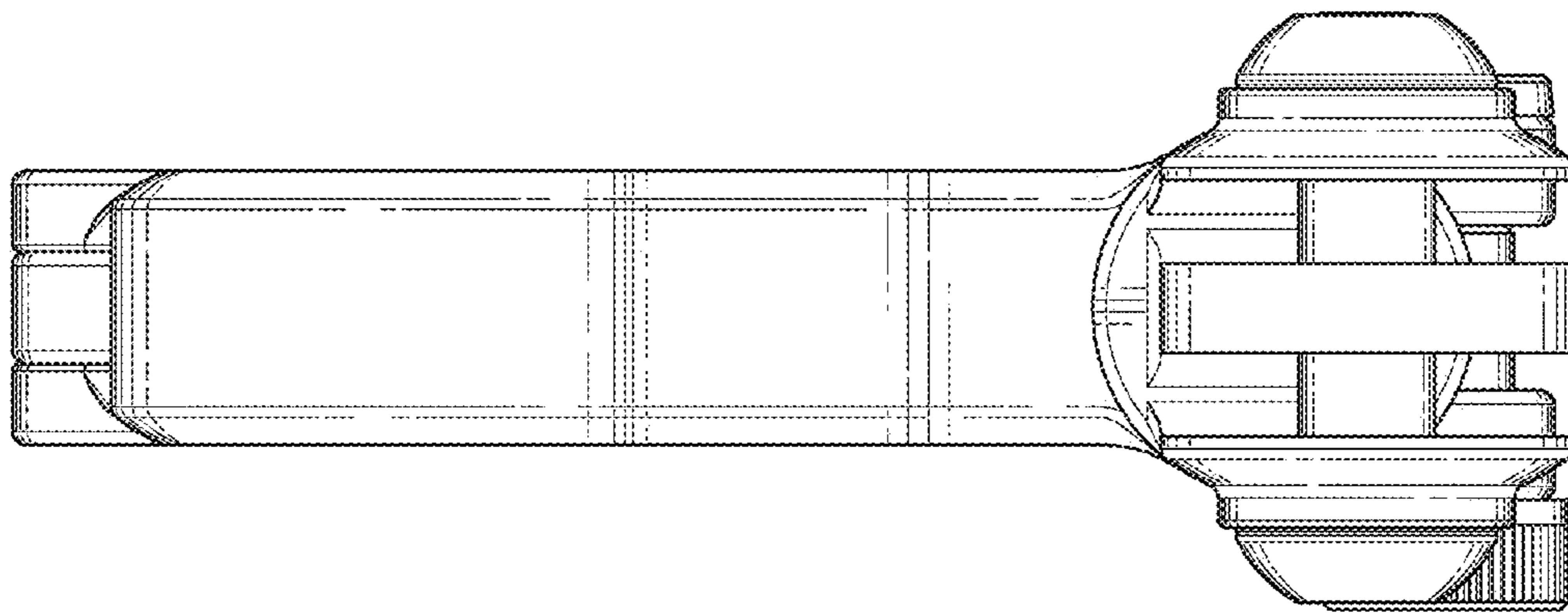


FIG. 7

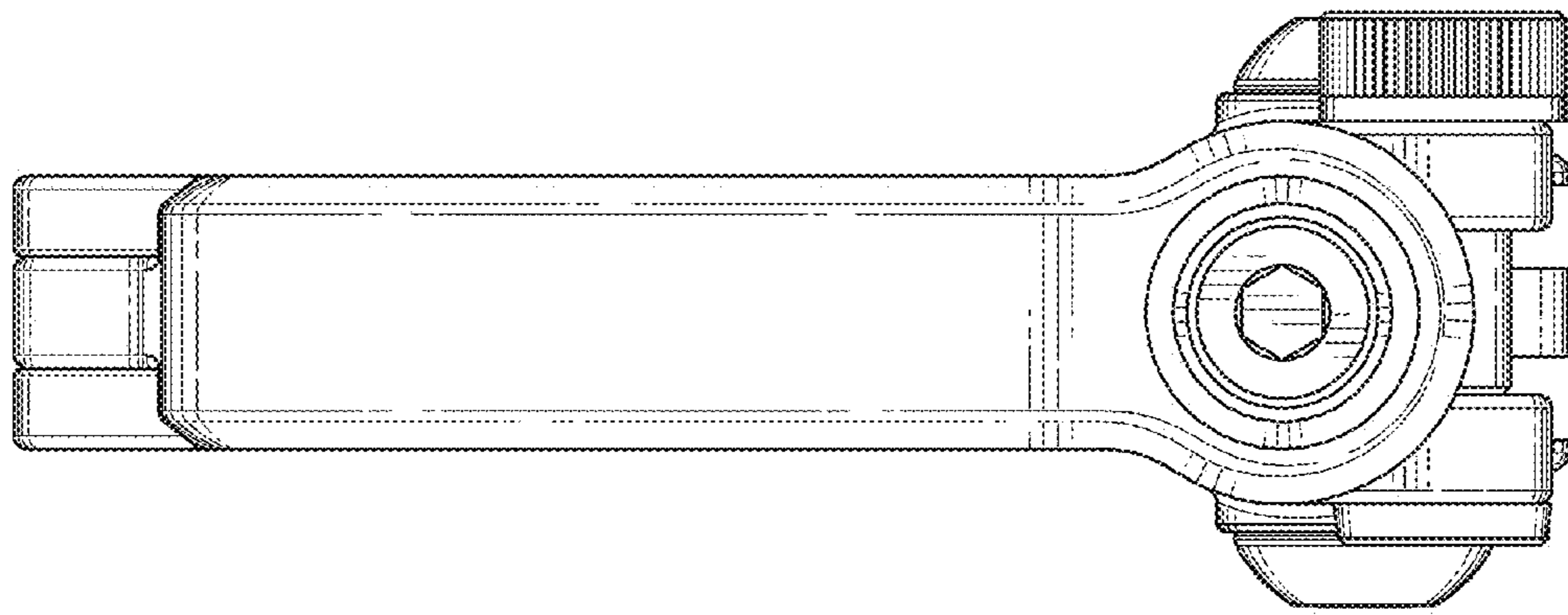


FIG. 8