



US00D764566S

(12) **United States Design Patent**
Bennett et al.

(10) **Patent No.:** **US D764,566 S**
(45) **Date of Patent:** **** Aug. 23, 2016**

(54) **CAMERA MOUNT**

(71) Applicant: **GoPro, Inc.**, San Mateo, CA (US)
(72) Inventors: **Eric McCallister Bennett**, Foster City, CA (US); **Mark Costa**, Menlo Park, CA (US)
(73) Assignee: **GoPro, Inc.**, San Mateo, CA (US)
(**) Term: **14 Years**

(21) Appl. No.: **29/523,742**
(22) Filed: **Apr. 13, 2015**
(51) **LOC (10) Cl.** **16-05**
(52) **U.S. Cl.**
USPC **D16/242**
(58) **Field of Classification Search**
USPC D16/134, 136, 208, 213–219, 235, D16/237–245, 250; D14/203.4, 209, 217, D14/218, 224, 251, 345, 440, 447, 451; D8/363, 373, 394
CPC G03B 17/02–17/04; G03B 17/14; G03B 17/56; G03B 17/561–17/568; G03B 21/20–21/2066; G03B 15/041–15/0436; G02B 7/02–7/04; G02B 7/14; H04N 5/2251–5/2554; F16M 11/02; F16M 11/20; F16M 11/40; F16M 13/02

See application file for complete search history.

(56) **References Cited**

U.S. PATENT DOCUMENTS

D391,978 S *	3/1998	Brock	D16/242
D395,996 S *	7/1998	Fischer	D8/349
D402,881 S *	12/1998	Fischer	D8/354
D616,286 S *	5/2010	Foresman	D8/354
D631,081 S *	1/2011	Richter	D16/242
D646,315 S *	10/2011	Orf	D14/263
D722,864 S *	2/2015	Greenthal	D8/382
D722,865 S *	2/2015	Greenthal	D8/382
2009/0045303 A1 *	2/2009	Andkjar	B62J 11/00 248/178.1

* cited by examiner

Primary Examiner — Vy Koenig
(74) *Attorney, Agent, or Firm* — Fenwick & West LLP

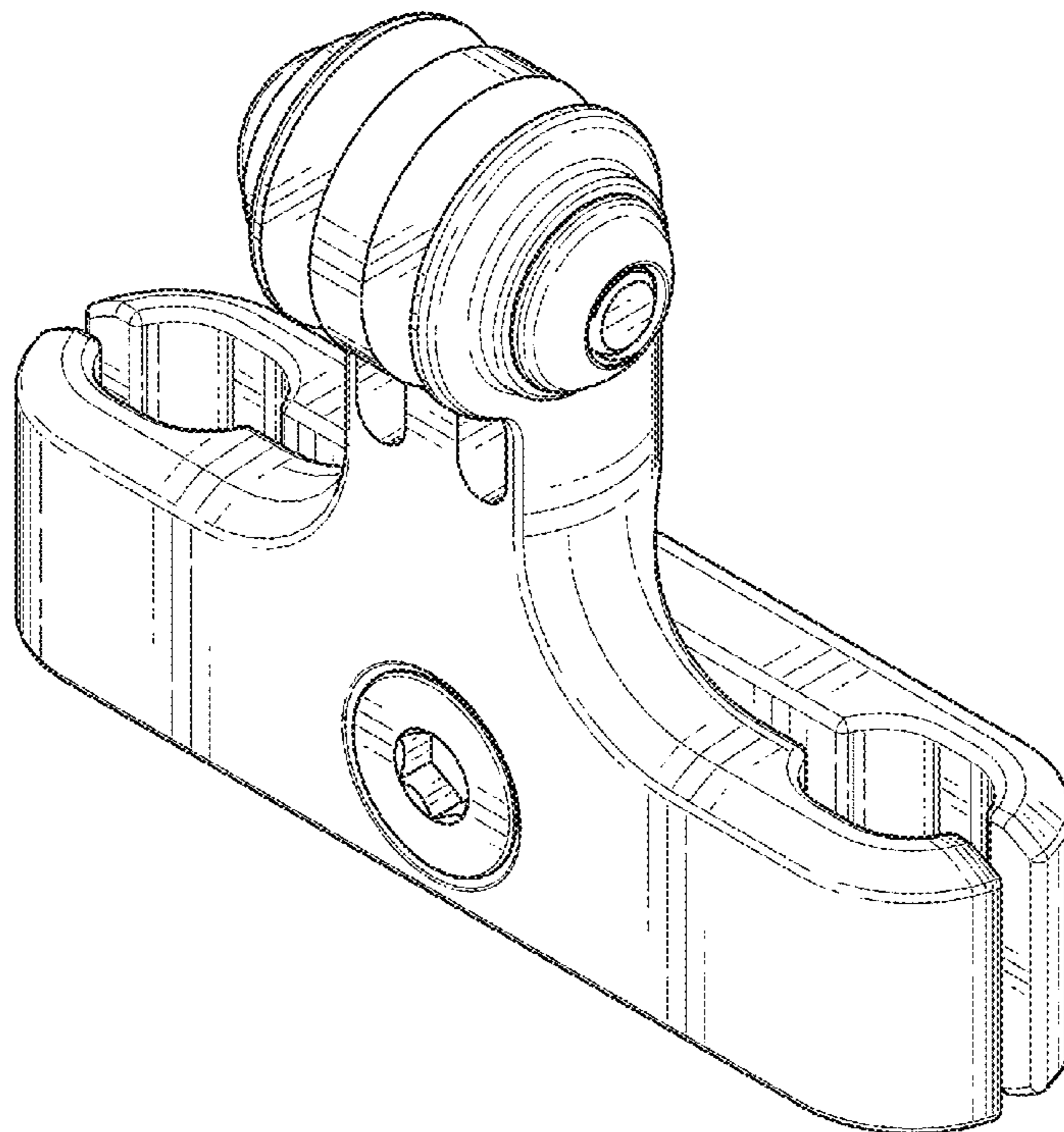
(57) **CLAIM**

The ornamental design for a camera mount, as shown and described.

DESCRIPTION

FIG. 1 is a front, top, and right side perspective view of a camera mount;
FIG. 2 is a front, bottom, and left side perspective view thereof;
FIG. 3 is a front elevational view thereof;
FIG. 4 is a rear elevational view thereof;
FIG. 5 is a left side elevational view thereof;
FIG. 6 is a right side elevational view thereof;
FIG. 7 is a top plan view thereof; and,
FIG. 8 is a bottom plan view thereof.

1 Claim, 8 Drawing Sheets



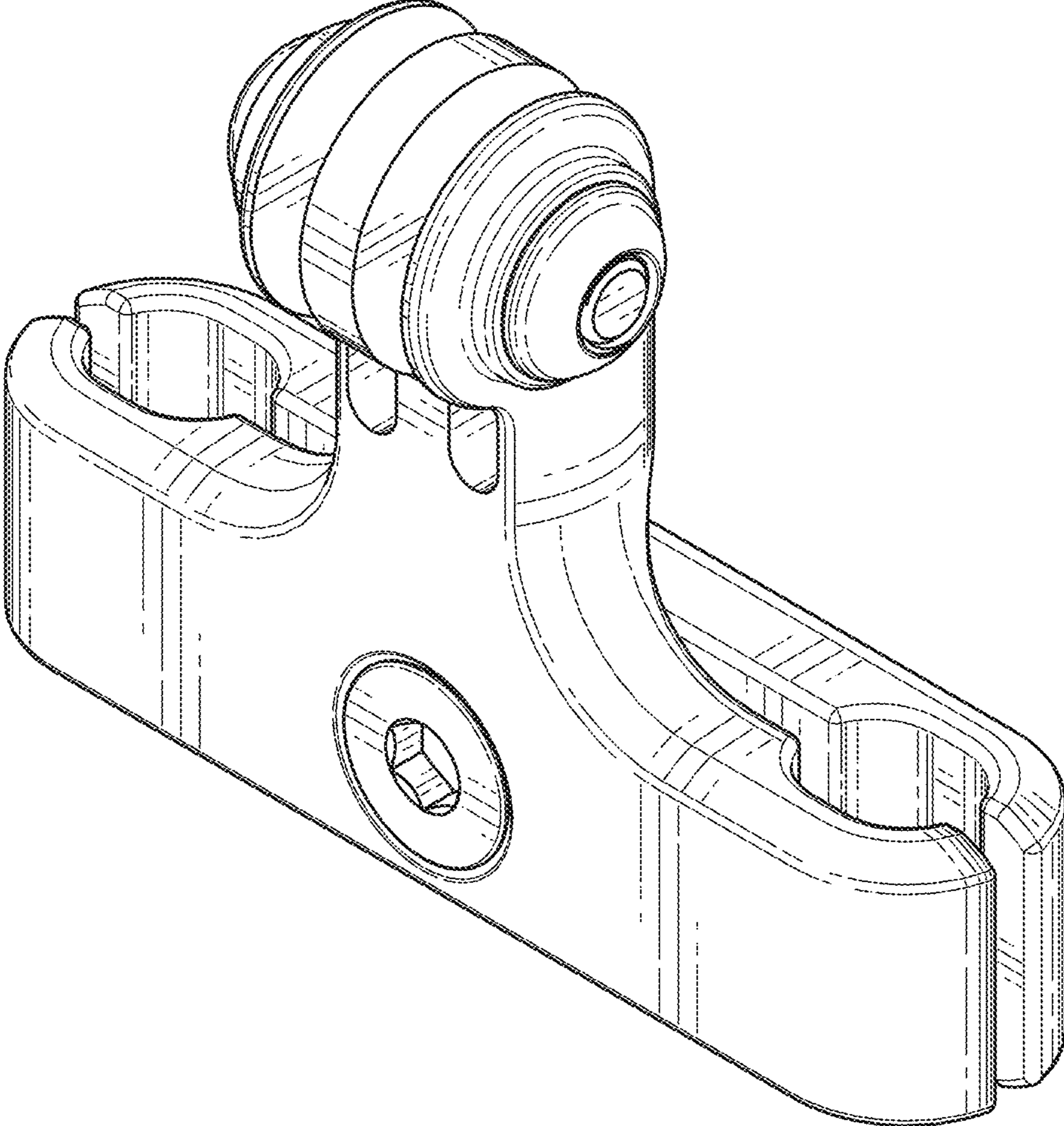


FIG. 1

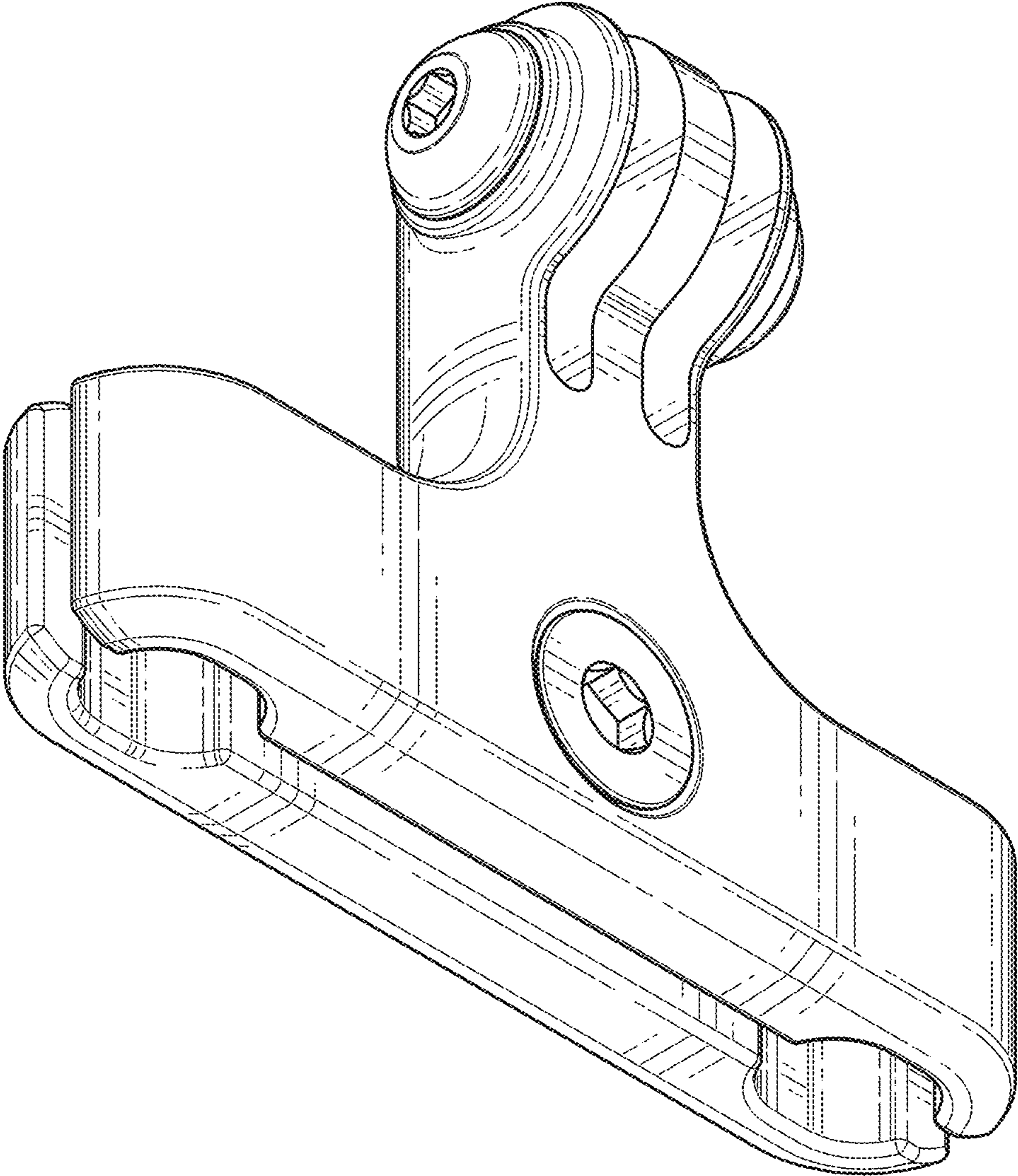


FIG. 2

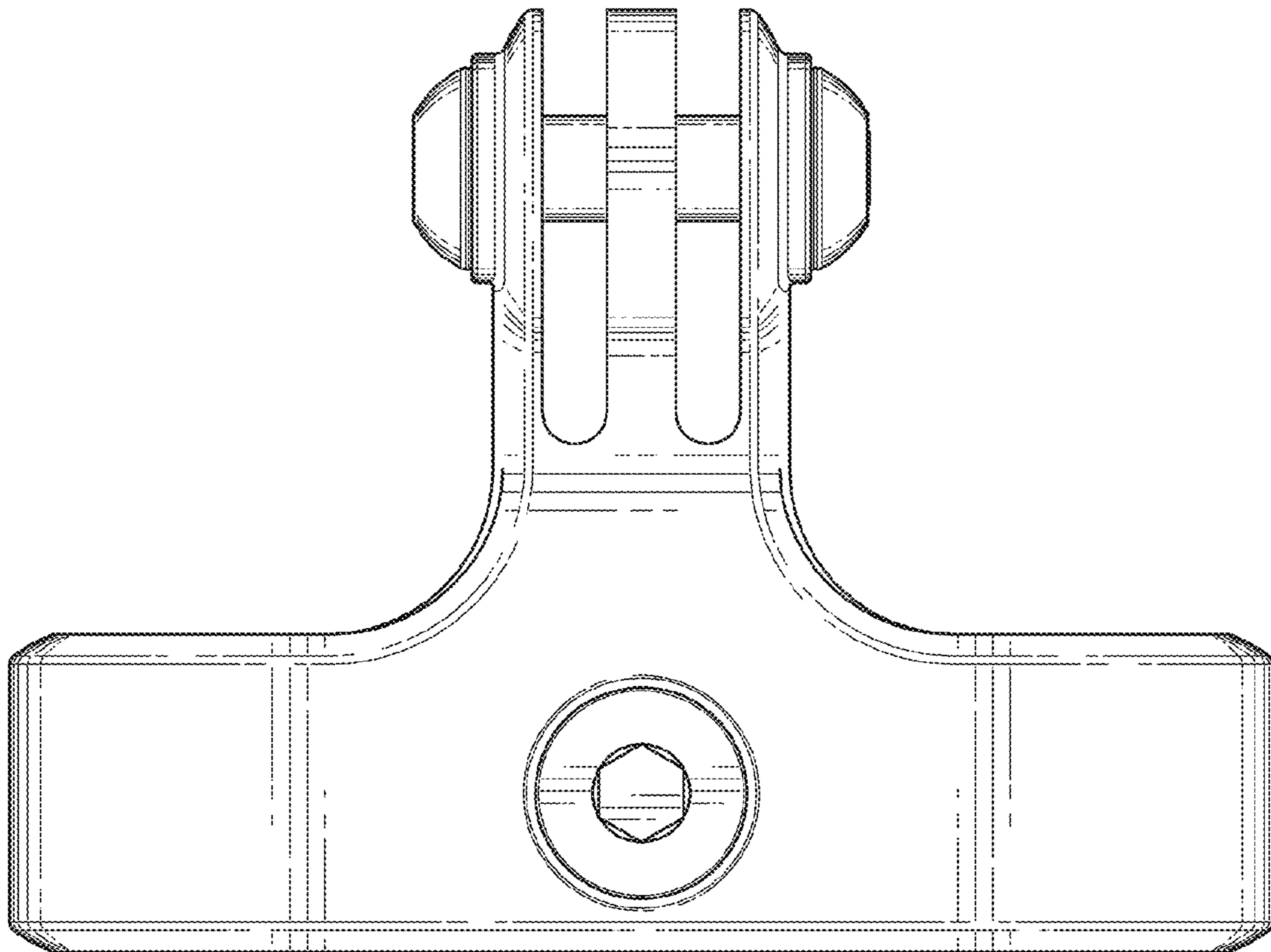


FIG. 3

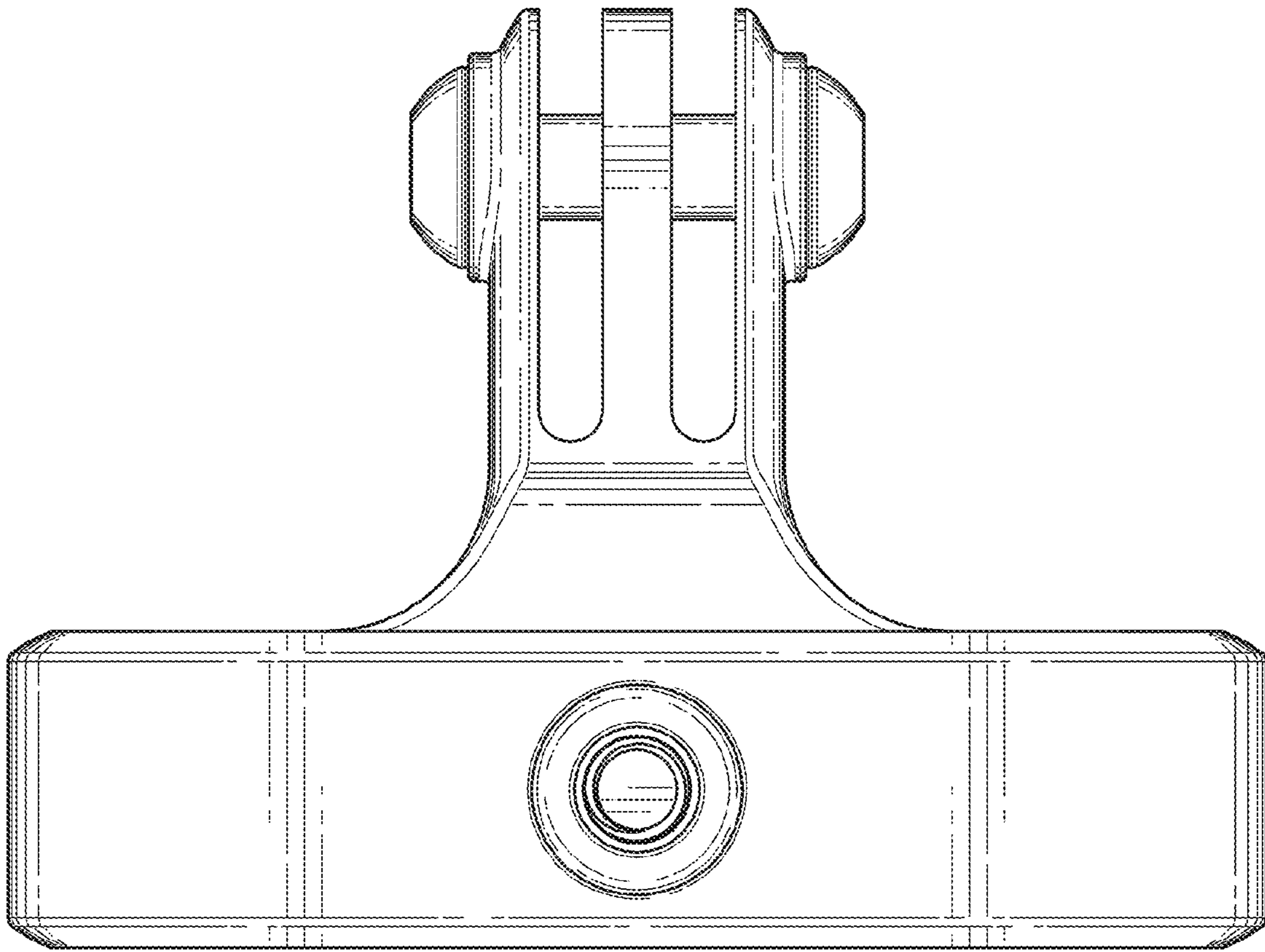


FIG. 4

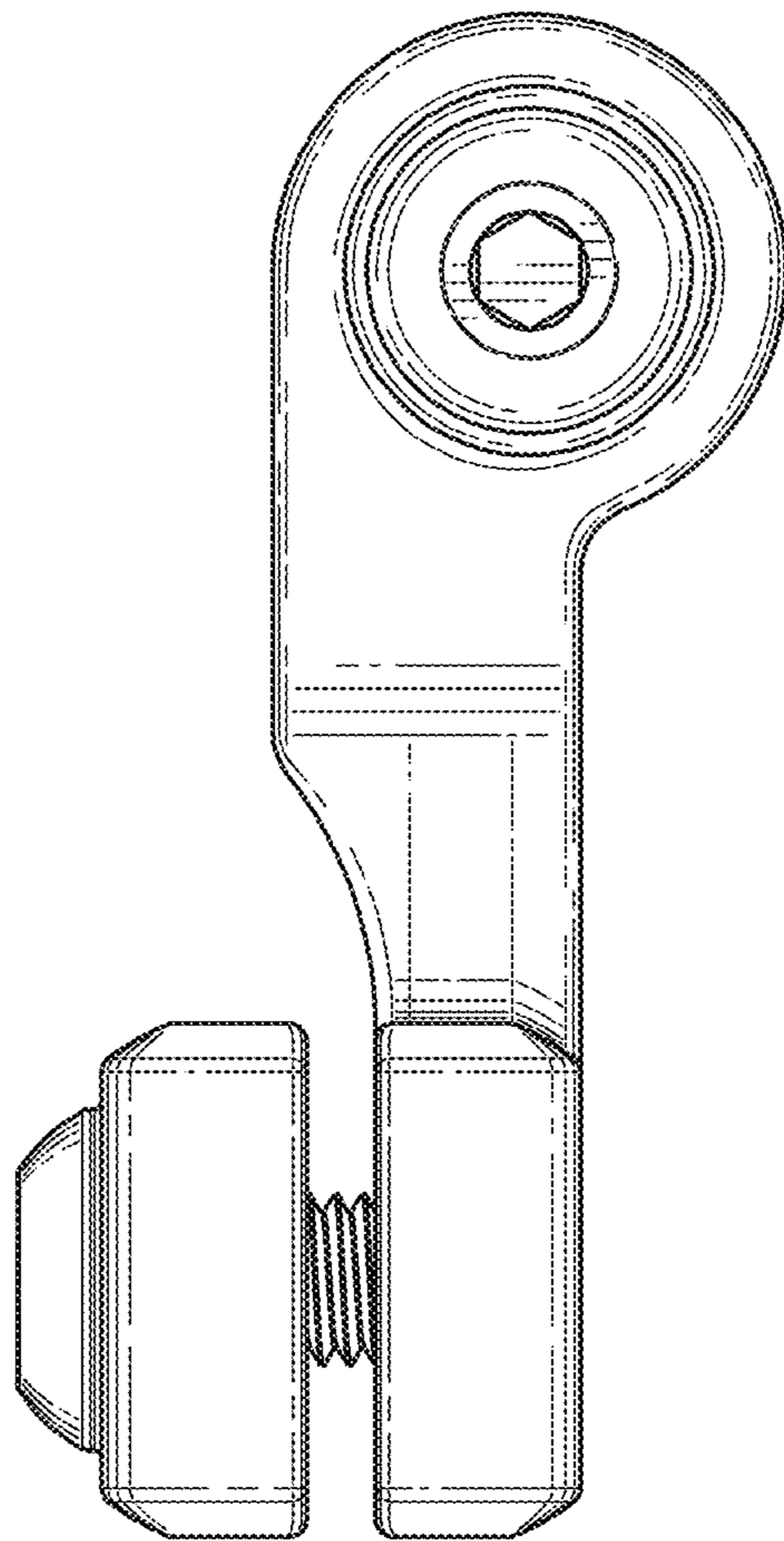


FIG. 5

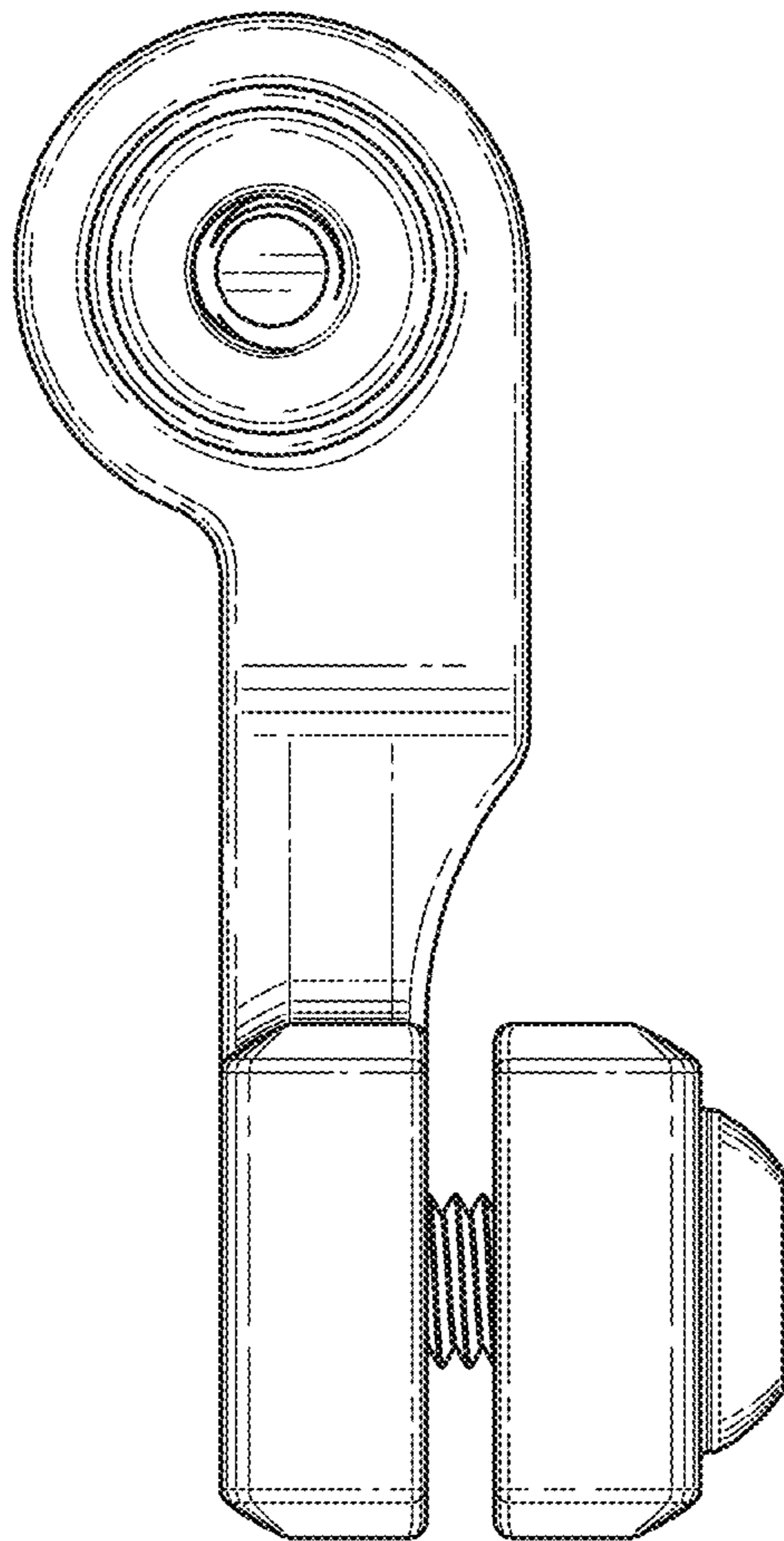


FIG. 6

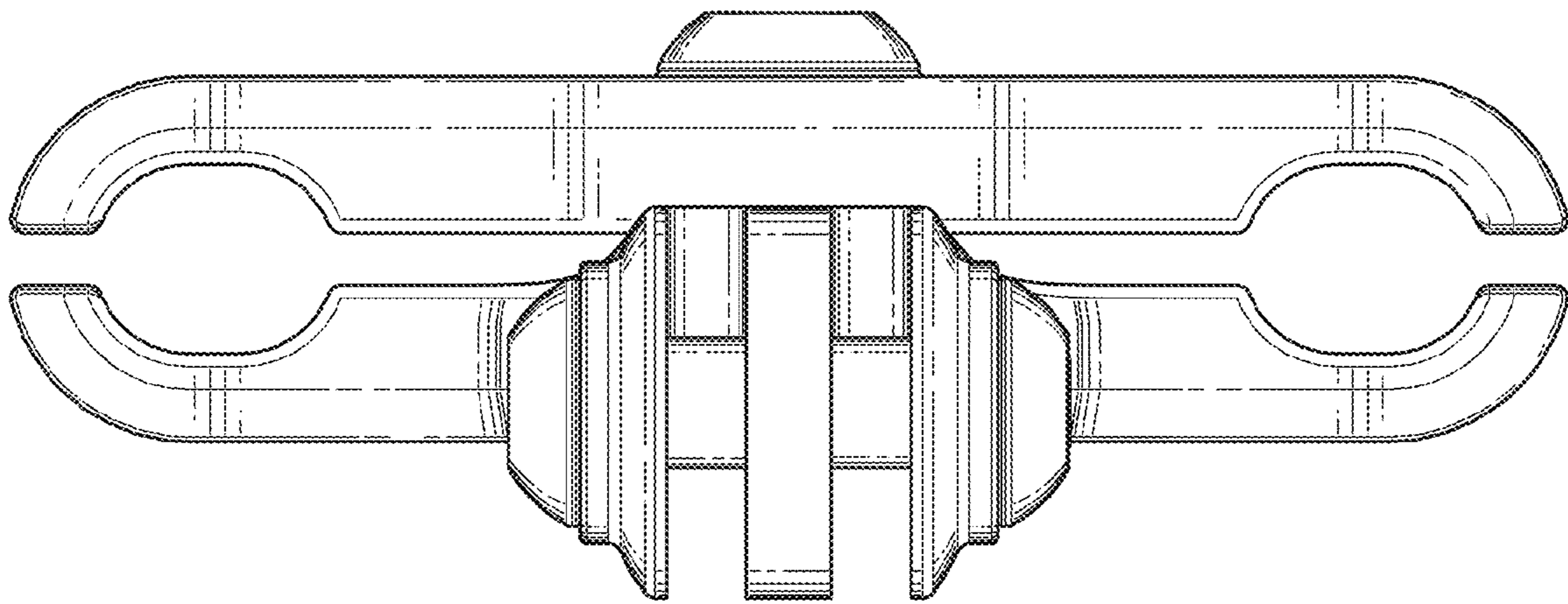


FIG. 7

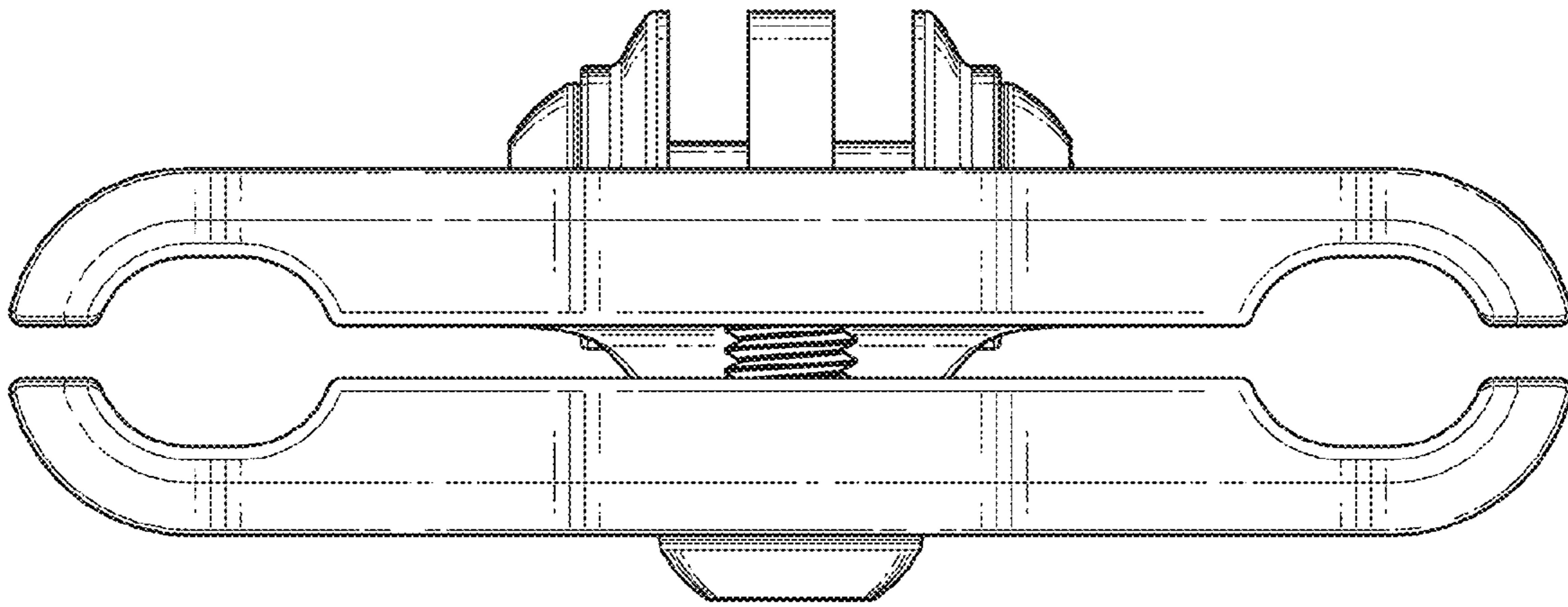


FIG. 8