



US00D764565S

(12) **United States Design Patent**  
**Tekunoff et al.**

(10) **Patent No.:** **US D764,565 S**

(45) **Date of Patent:** **\*\* Aug. 23, 2016**

(54) **UNIVERSAL CAMERA MOUNT**

D732,013 S \* 6/2015 Aspinall ..... D14/253  
D733,697 S \* 7/2015 Palan ..... D14/253  
D739,410 S \* 9/2015 Chun ..... D14/447

(71) Applicant: **The Tiffen Company, LLC,**  
Hauppauge, NY (US)

(Continued)

(72) Inventors: **Uriel Jim Tekunoff,** Burbank, CA (US);  
**H. Robert Orf,** Simi Valley, CA (US)

**OTHER PUBLICATIONS**

Mountek, "Mountek nGroove Universal CD Slot Mount for Cell Phones and GPS Devices", obtained earlier than Dec. 30, 2014.

(73) Assignee: **The Tiffen Company, LLC,**  
Hauppauge, NY (US)

(Continued)

(\*\*) Term: **14 Years**

*Primary Examiner* — Vy Koenig

(21) Appl. No.: **29/513,334**

(74) *Attorney, Agent, or Firm* — Barnes & Thornburg LLP;  
Joan T. Kluger

(22) Filed: **Dec. 30, 2014**

(51) **LOC (10) Cl.** ..... **16-05**

(52) **U.S. Cl.**  
USPC ..... **D16/242**

(57) **CLAIM**

The ornamental design for a universal camera mount, substantially as shown and described.

(58) **Field of Classification Search**  
USPC ..... D16/134, 136, 208, 213–219, 235, 237,  
D16/239–242, 245; D14/203.4, 217, 218,  
D14/250–253, 345, 440, 449  
CPC ..... G03B 17/02–17/04; G03B 17/14;  
G03B 17/56; G03B 17/561–17/568; G03B  
21/20–21/2066; G03B 15/041–15/0436;  
G02B 7/02–7/04; G02B 7/14; H04N  
5/2251–5/2554

**DESCRIPTION**

See application file for complete search history.

FIG. 1 is a perspective view of the back of the universal camera mount showing the new design in a non-extended configuration.

FIG. 2 is a perspective front view of a non-extended configuration.

FIG. 3 is a perspective back view of an extended configuration.

FIG. 4 is a perspective front view of an extended configuration.

FIG. 5 is a front view of a non-extended configuration.

FIG. 6 is a side view of a non-extended configuration.

FIG. 7 is a back view of a non-extended configuration.

FIG. 8 is a front view of the extended configuration.

FIG. 9 is a side view of the extended configuration.

FIG. 10 is a back view of the extended configuration; and,

FIG. 11 is a bottom view of the extended configuration.

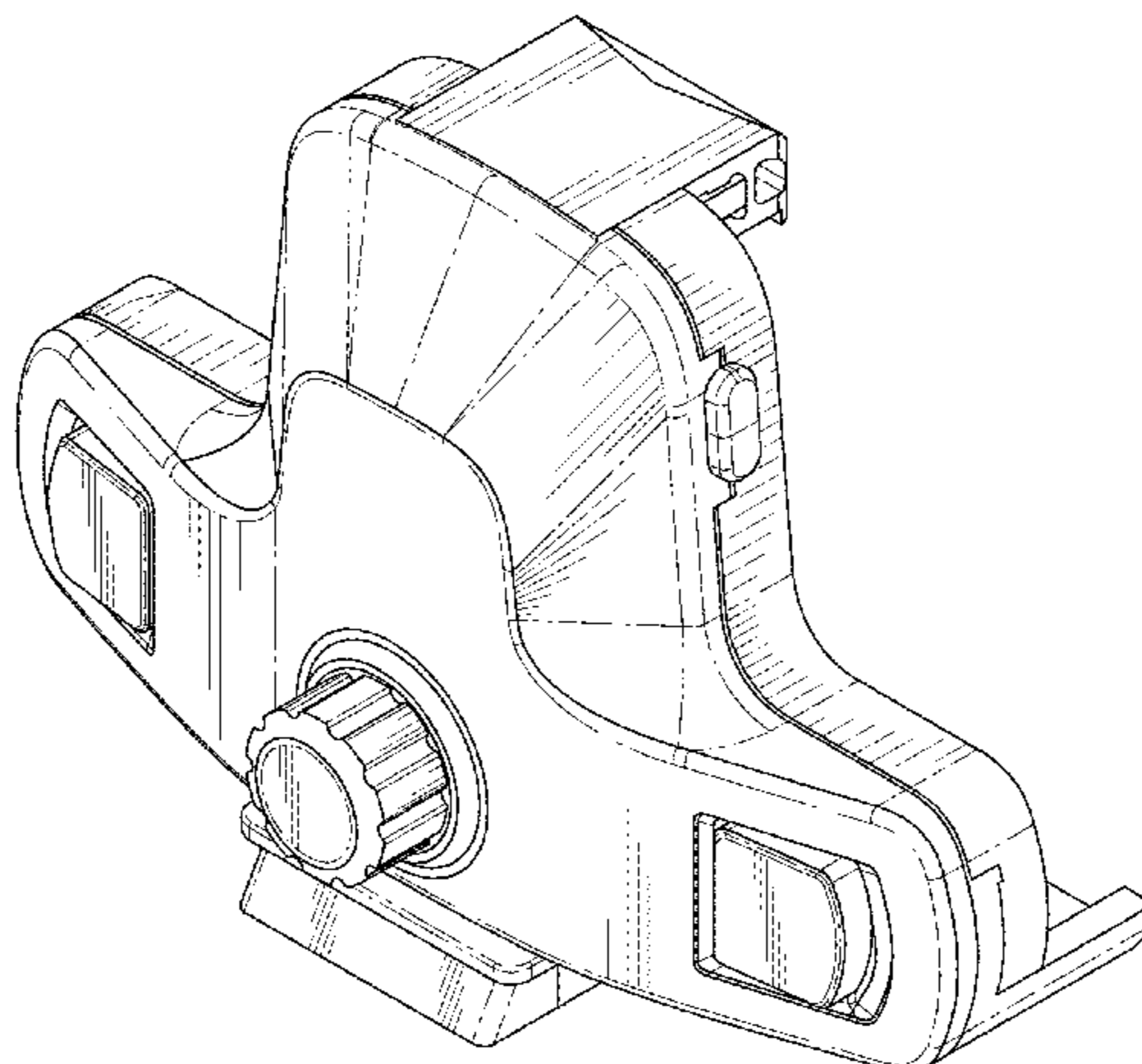
The broken lines in the drawings depict portions of the universal camera mount that form no part of the claimed design.

(56) **References Cited**

**U.S. PATENT DOCUMENTS**

D646,315 S \* 10/2011 Orf ..... D14/263  
8,240,628 B2 \* 8/2012 Huang ..... F16M 11/04  
248/122.1  
D670,284 S \* 11/2012 Choi ..... D14/253  
D671,110 S \* 11/2012 Choi ..... D14/253  
D684,980 S \* 6/2013 Chun ..... D14/447  
D685,380 S \* 7/2013 Richter ..... D14/253  
D707,672 S \* 6/2014 Lai ..... D14/253  
D708,603 S \* 7/2014 Kim ..... D14/253

**1 Claim, 11 Drawing Sheets**



(56)

**References Cited**

U.S. PATENT DOCUMENTS

2005/0236536 A1\* 10/2005 Fan ..... B60R 11/02  
248/176.3  
2005/0288068 A1\* 12/2005 Tsay ..... H04M 1/6075  
455/569.2

OTHER PUBLICATIONS

Capdase, "Forester Capdase Racer Car Air Vent Mount Cradle  
Holder", obtained earlier than Dec. 30, 2014.

Iottie, "Easy One Touch 2 Car Mount Holder", obtained earlier than  
Dec. 30, 2014.

Case Star, "Cellphone Smartphone Tripod Mount Holder", obtained  
earlier than Dec. 30, 2014.

Wizgear, "Universal Smartphone Holder Tripod Adapter", obtained  
earlier than Dec. 30, 2014.

Document depicting online images viewed earlier than Dec. 30,  
2014.

\* cited by examiner

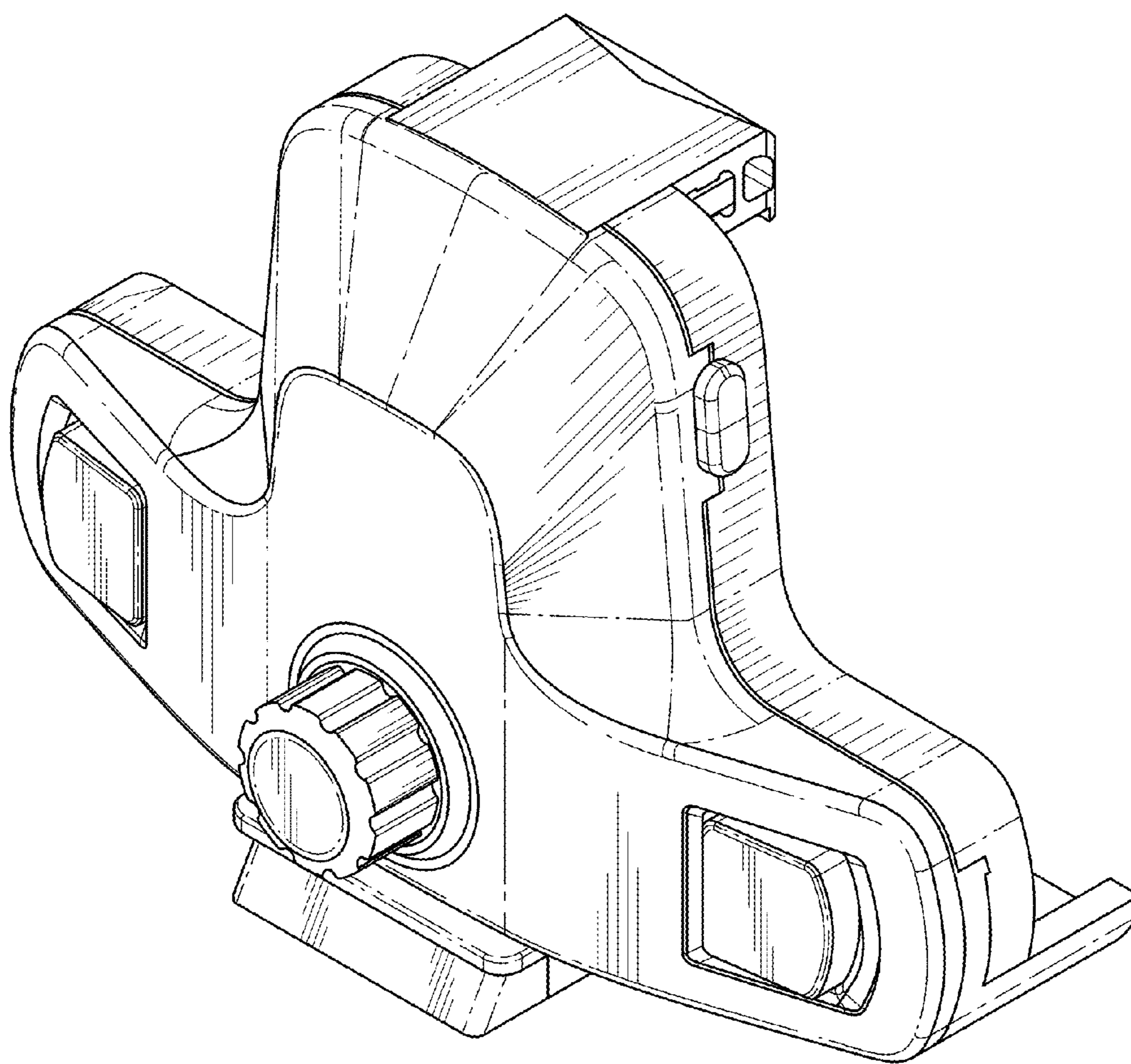


FIG. 1

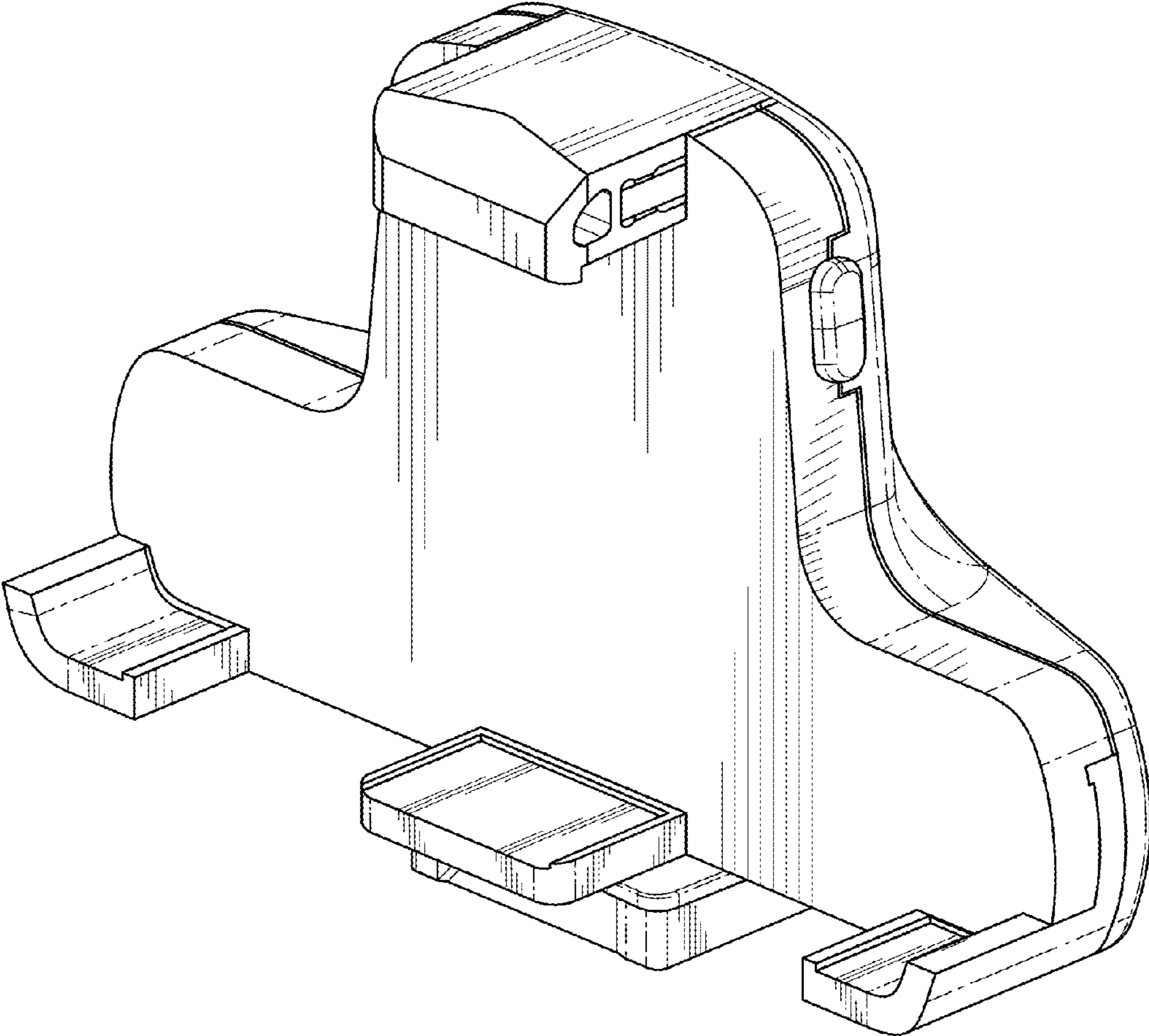


FIG. 2

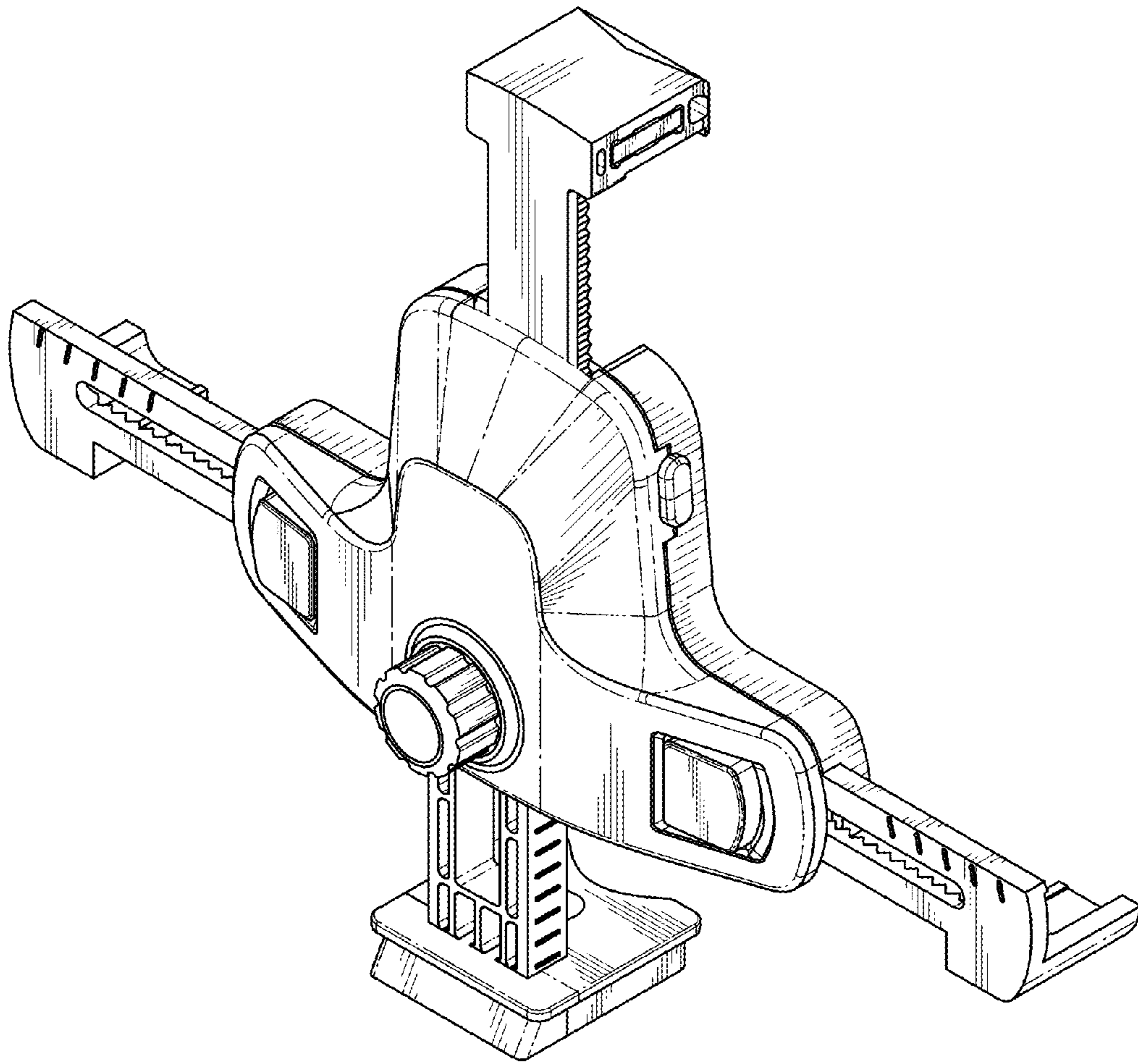


FIG. 3

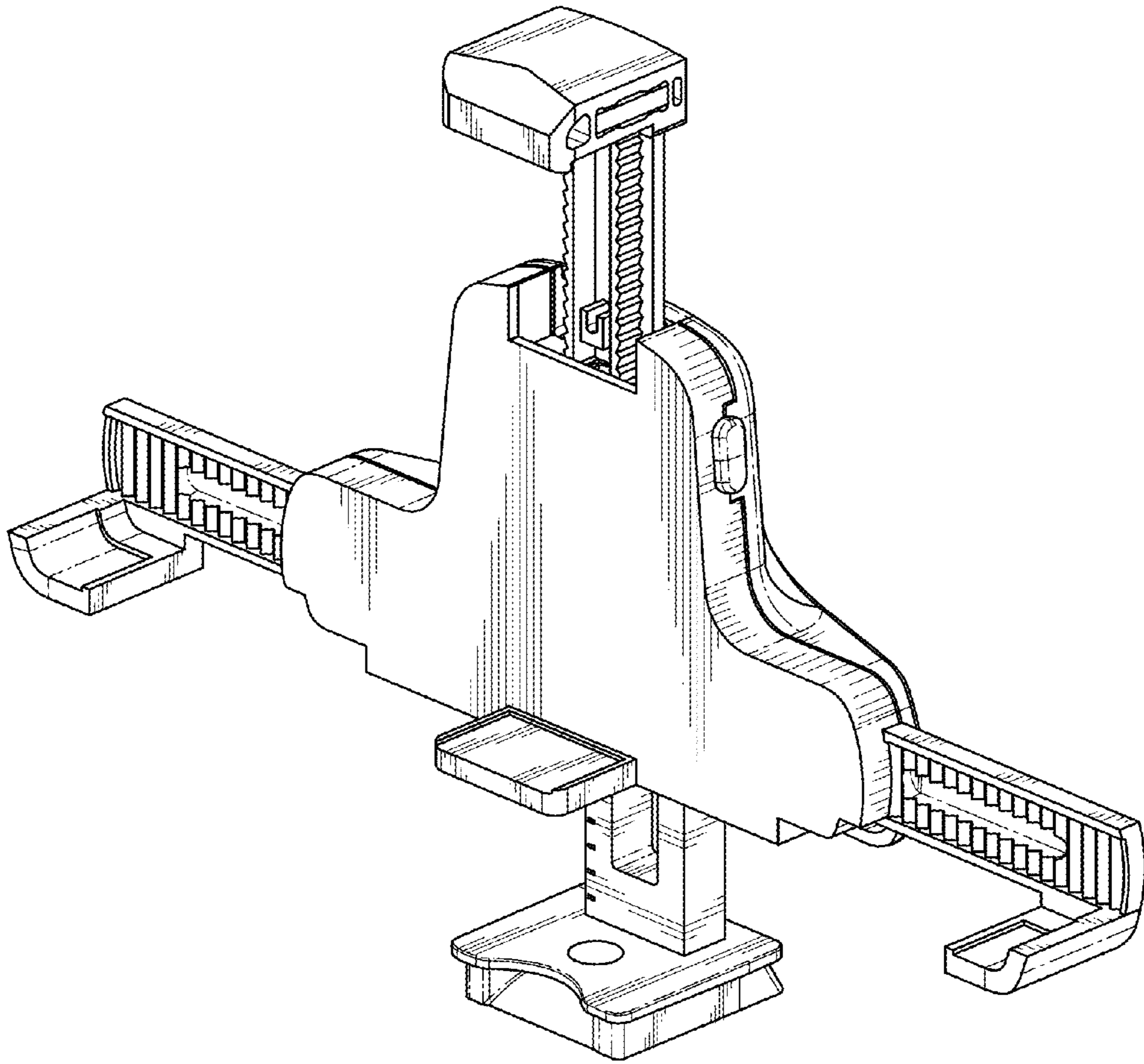


FIG. 4

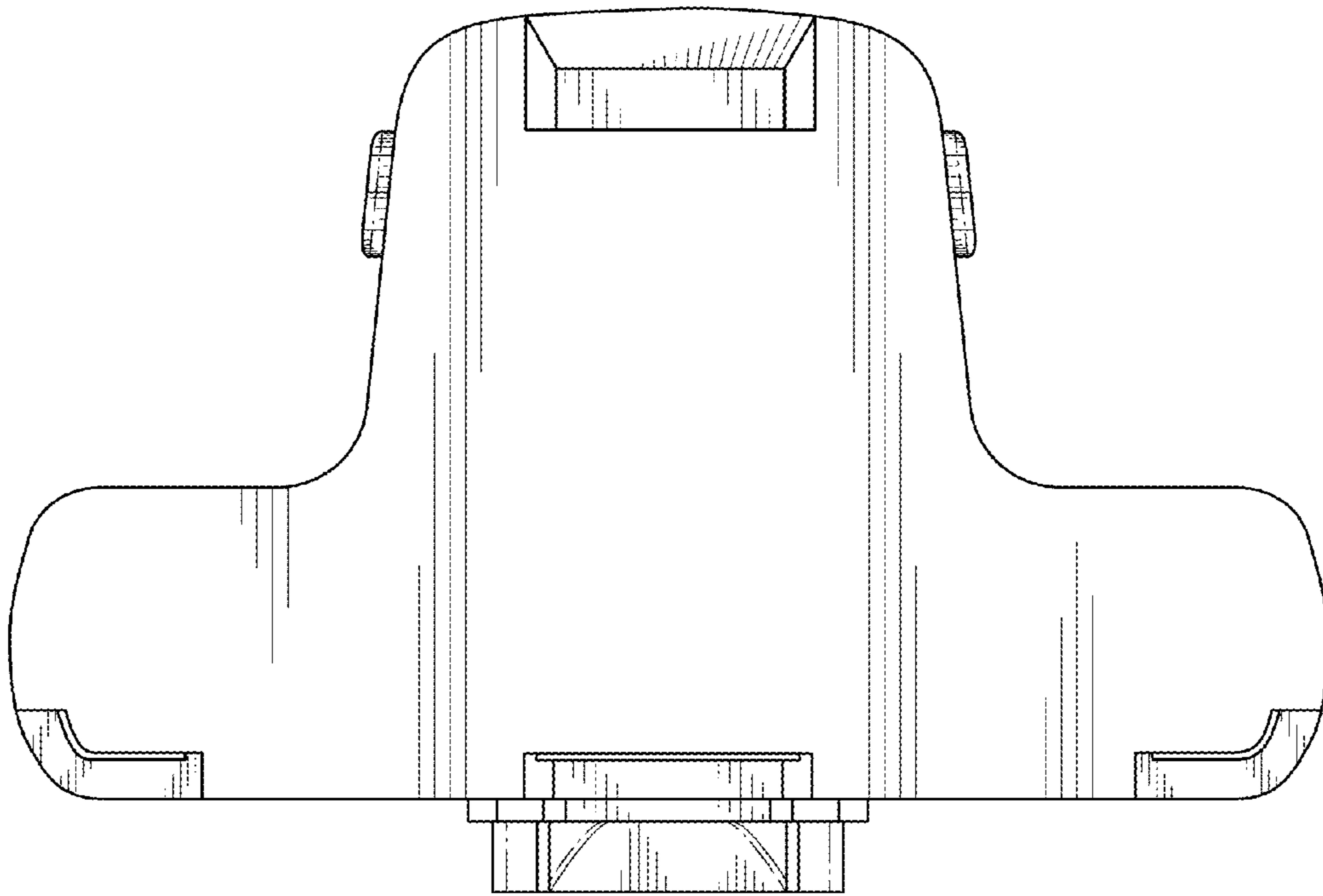


FIG. 5

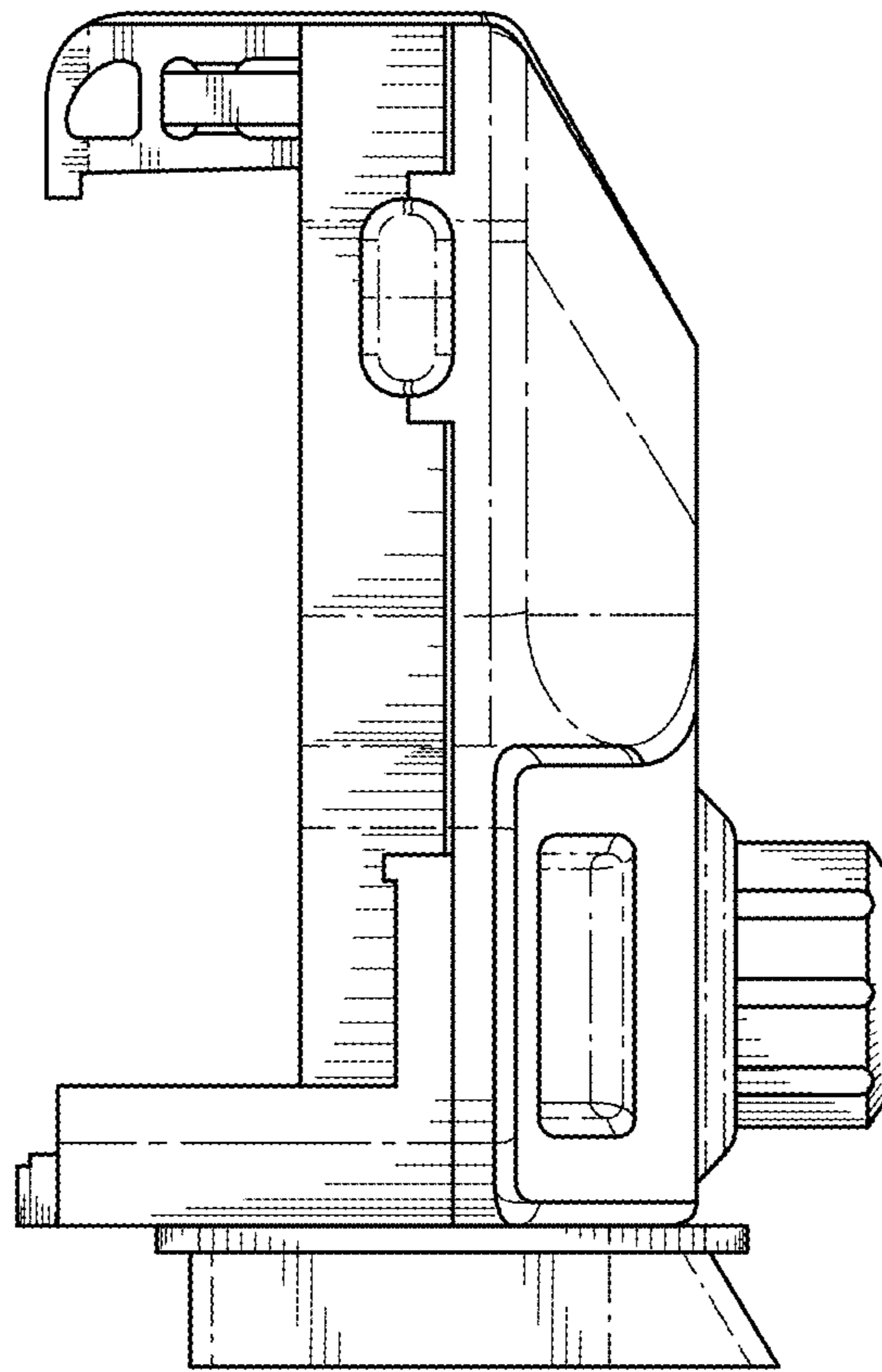


FIG. 6



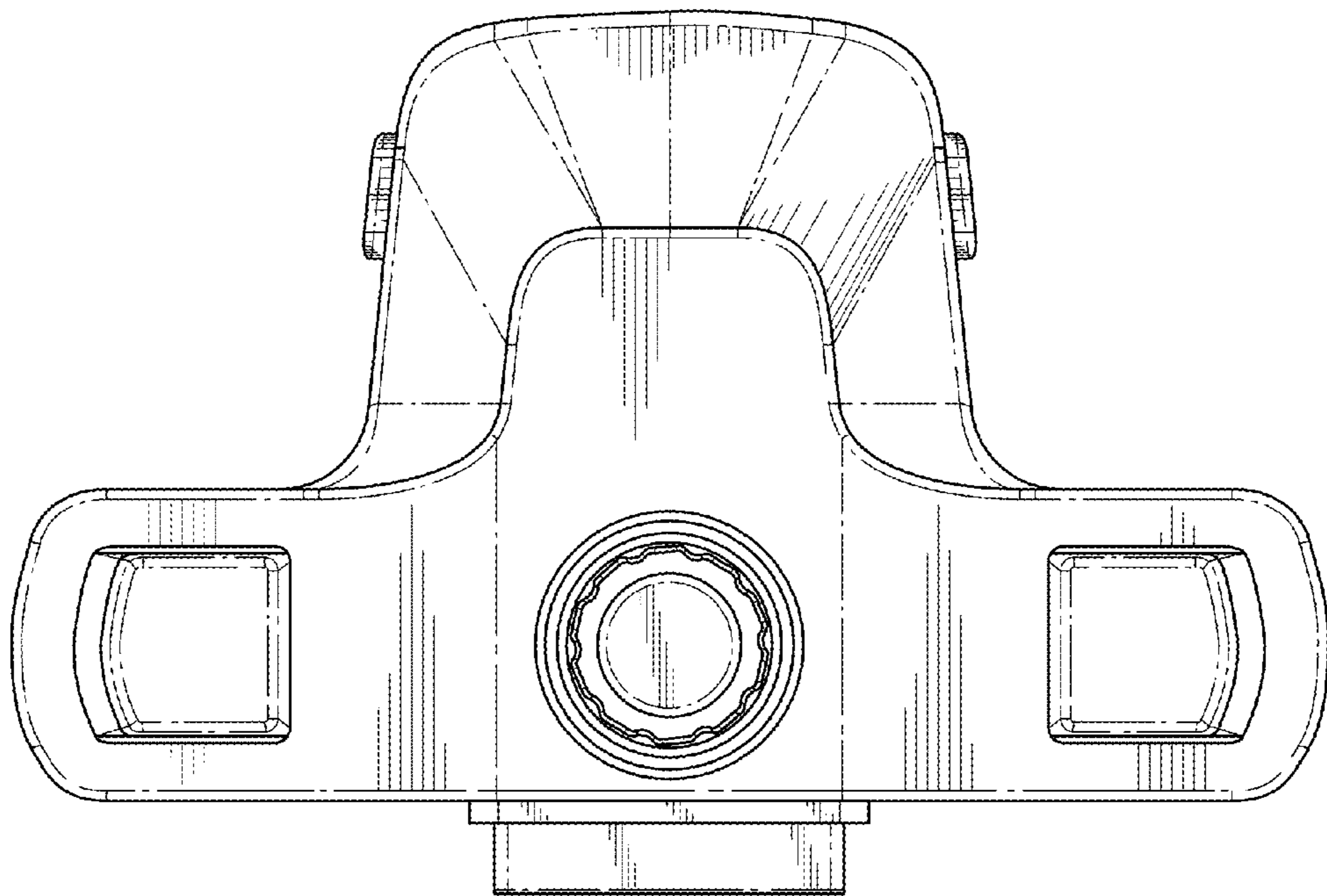


FIG. 7

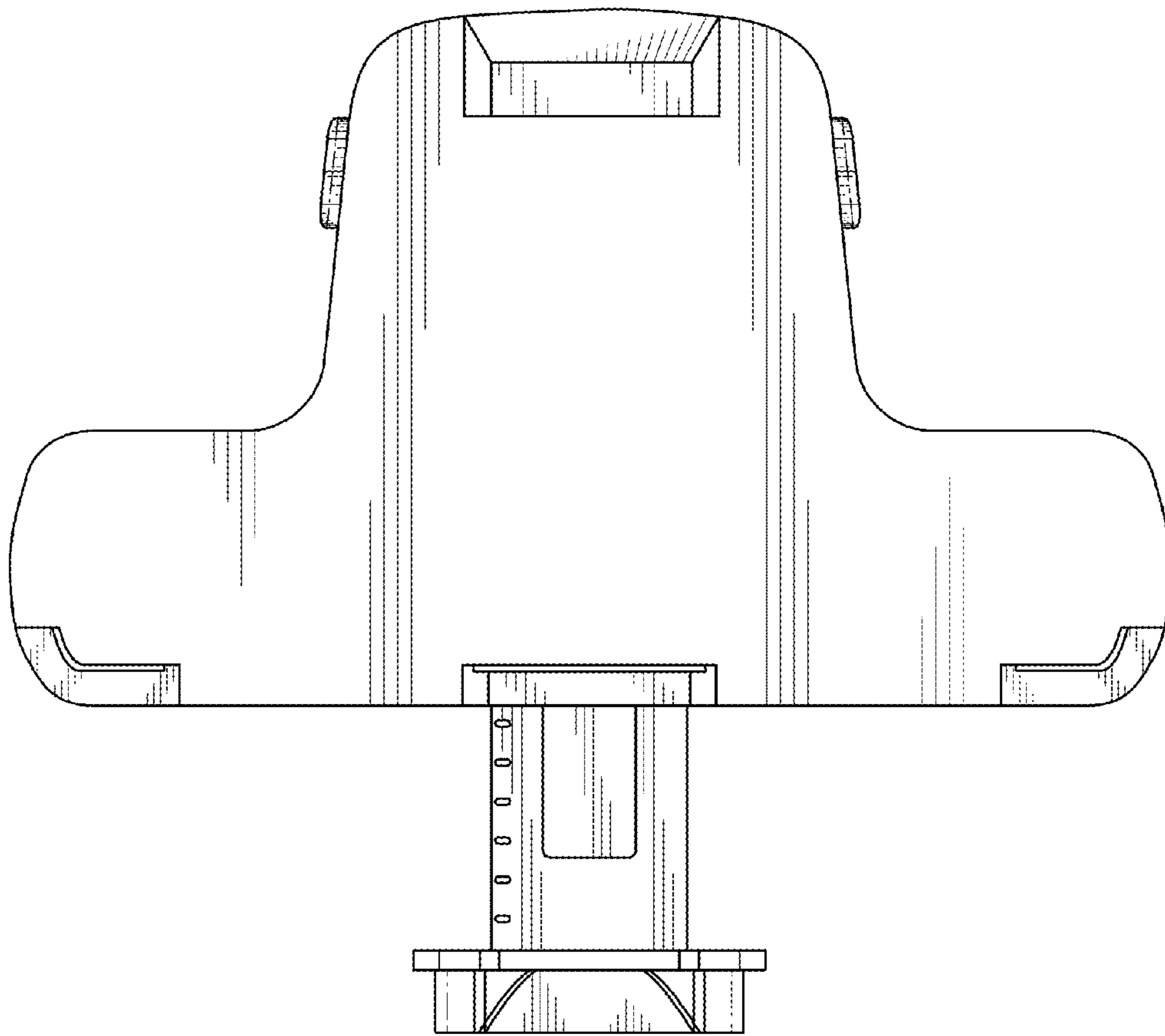


FIG. 8

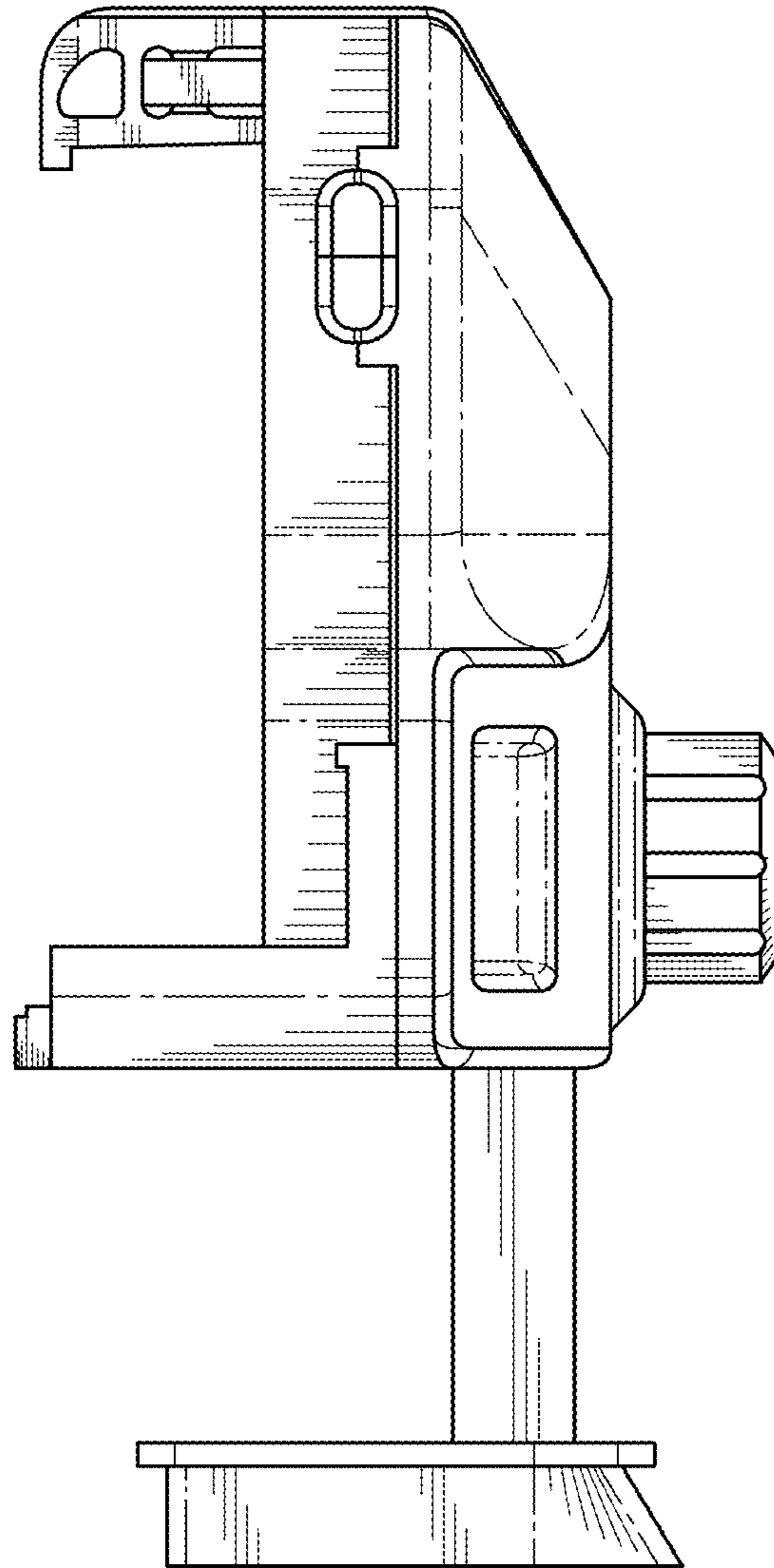


FIG. 9

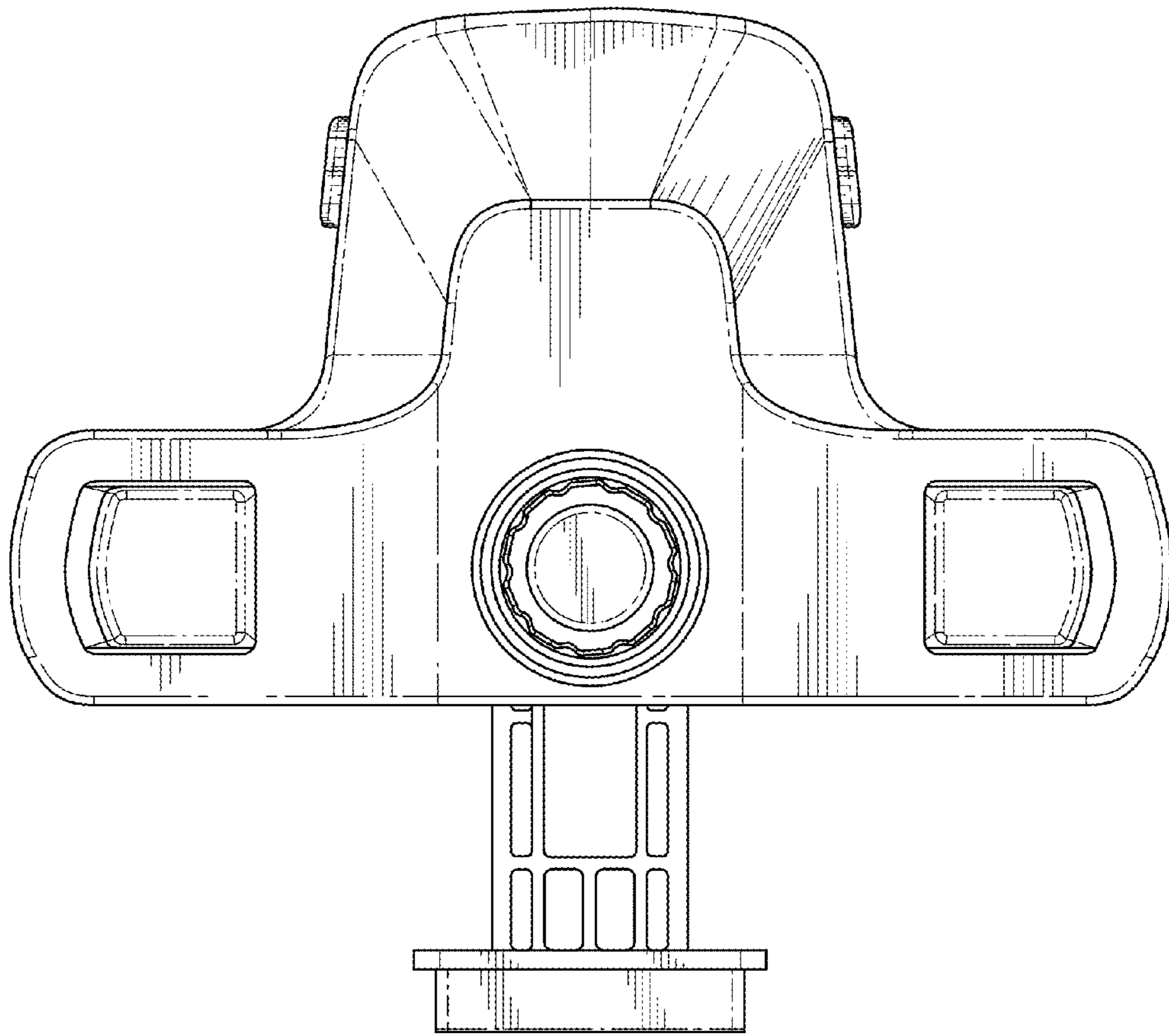


FIG. 10

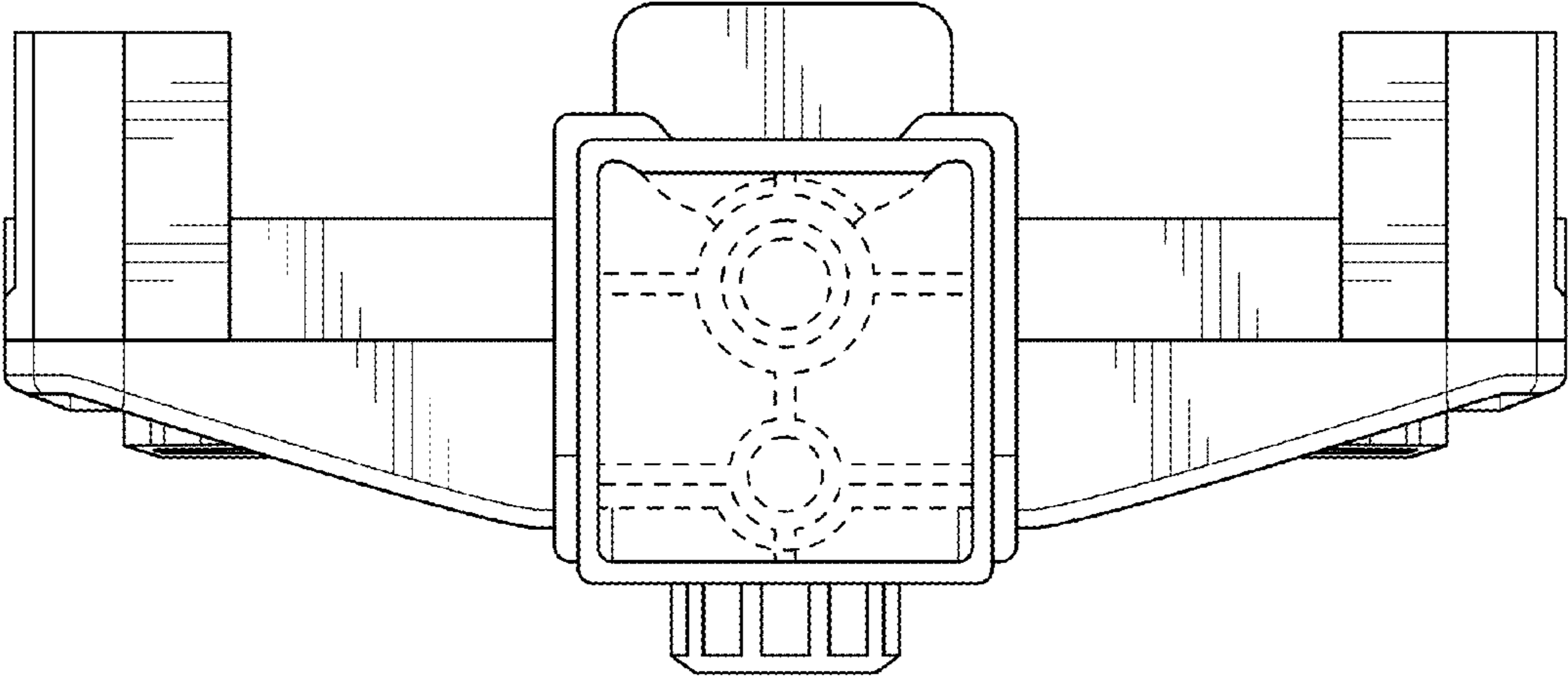


FIG. 11