



US00D764564S

(12) **United States Design Patent**
DeSomov et al.

(10) **Patent No.:** **US D764,564 S**

(45) **Date of Patent:** **** Aug. 23, 2016**

(54) **CAMERA MOUNT**

(71) Applicant: **Performance Designed Products LLC**,
Sherman Oaks, CA (US)

(72) Inventors: **Nicholas DeSomov**, Encino, CA (US);
Dennis Keith Foster, Long Beach, CA
(US); **Michael Chang**, Sherman Oaks,
CA (US)

(73) Assignee: **Performance Designed Products LLC**,
Burbank, CA (US)

(**) Term: **14 Years**

(21) Appl. No.: **29/481,089**

(22) Filed: **Jan. 31, 2014**

(51) **LOC (10) Cl.** **16-05**

(52) **U.S. Cl.**
USPC **D16/242**

(58) **Field of Classification Search**
USPC D16/205, 211, 214, 218–220, 237–250,
D16/302, 303; D14/316, 324, 375, 447,
D14/451, 469, 224, 251, 260.1
CPC G03B 15/041–15/0436; G03B
17/561–17/568; G03B 21/20–21/2066; F16M
11/10; F16M 11/14; F16M 11/26; F16M
11/28; F16M 11/38; F16M 13/00; F16M
13/04

See application file for complete search history.

(56) **References Cited**

U.S. PATENT DOCUMENTS

D327,383 S * 6/1992 Lam D14/447
D402,970 S * 12/1998 Rosen D14/375
D476,826 S * 7/2003 Swarney, II D14/451
D602,917 S * 10/2009 Bentley D14/224
D659,178 S 5/2012 Huang et al.

D671,949 S * 12/2012 Jeon et al. D14/447
D672,357 S * 12/2012 Allen D14/447
D677,669 S * 3/2013 Liu D14/447
D678,380 S * 3/2013 Pardo et al. D16/202
D680,569 S * 4/2013 Lee et al. D16/202
D731,498 S * 6/2015 Jeon et al. D14/451

* cited by examiner

Primary Examiner — Vy Koenig

(74) *Attorney, Agent, or Firm* — Wolf, Greenfield & Sacks,
P.C.

(57) **CLAIM**

The ornamental design for a camera mount, as shown and
described.

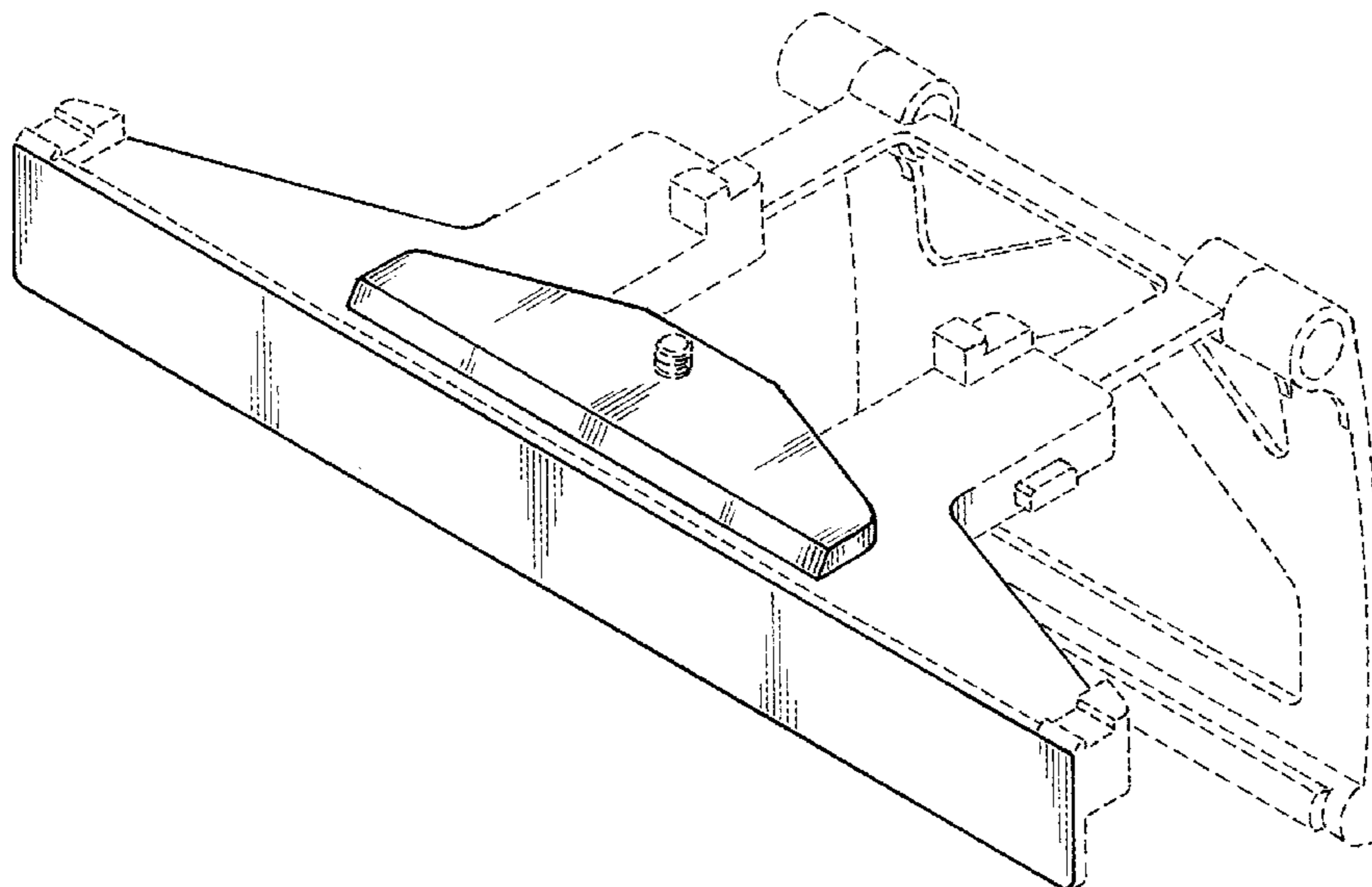
DESCRIPTION

FIG. 1 is a top, front, right side perspective view of a camera
mount showing our new design;
FIG. 2 is a front elevational view of the camera mount shown
in FIG. 1;
FIG. 3 is a rear elevational view of the camera mount shown
in FIG. 1;
FIG. 4 is a left side elevational view of the camera mount
shown in FIG. 1;
FIG. 5 is a right side elevational view of the camera mount
shown in FIG. 1;
FIG. 6 is a top plan view of the camera mount shown in FIG.
1; and,
FIG. 7 is a bottom plan view of the camera mount shown in
FIG. 1.

The broken lines of FIGS. 1-7 illustrate portions of the cam-
era mount that form no part of the claimed design.

The color, combination of colors, surface finish, or combina-
tion of finishes of the camera mount forms no part of the
claimed design.

1 Claim, 6 Drawing Sheets



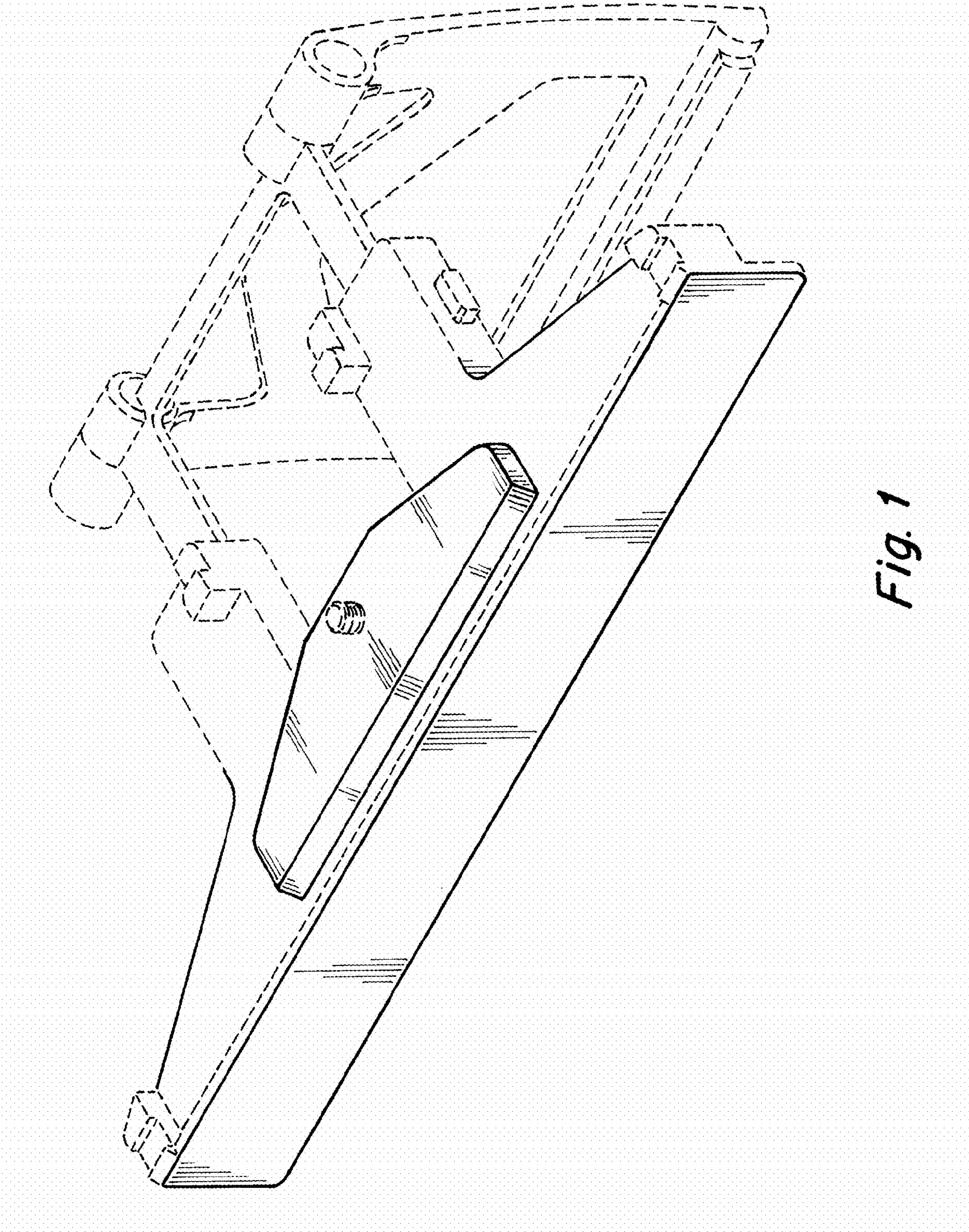


Fig. 1

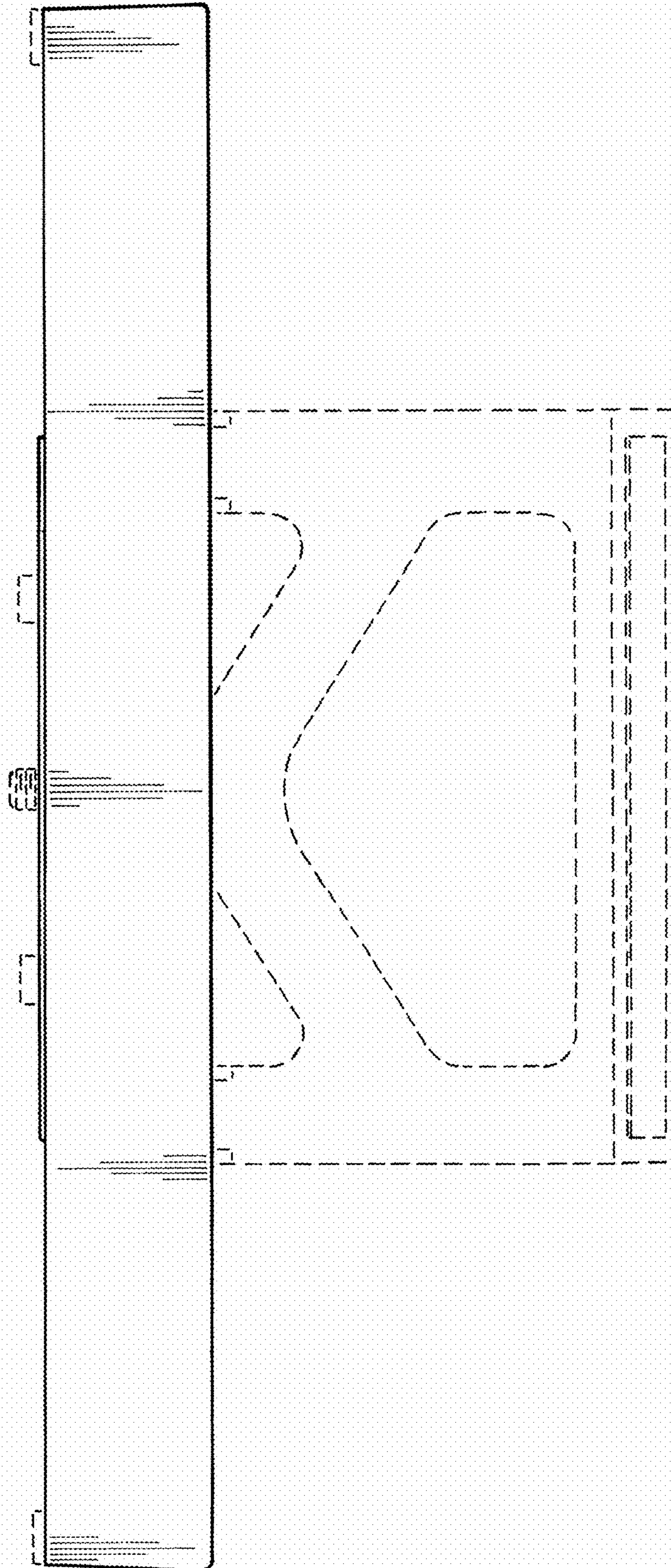


Fig. 2

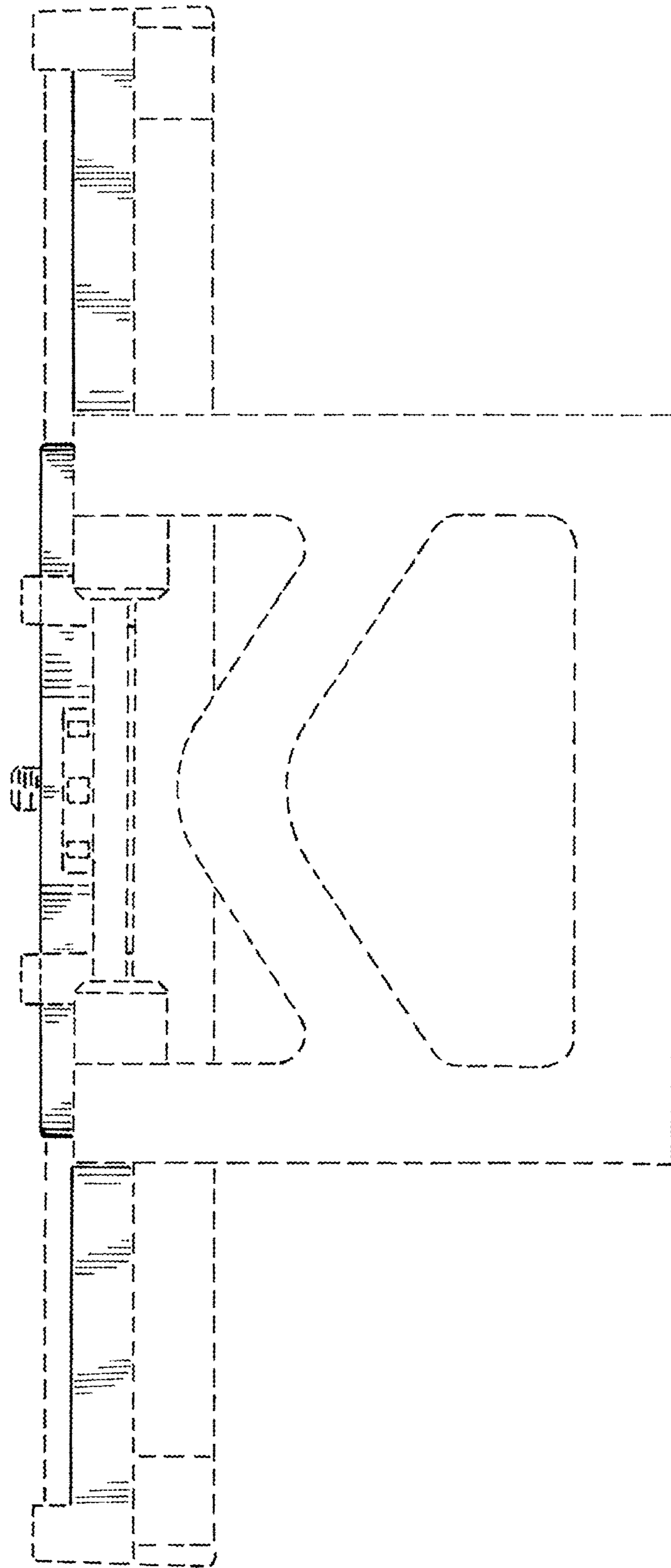


Fig. 3

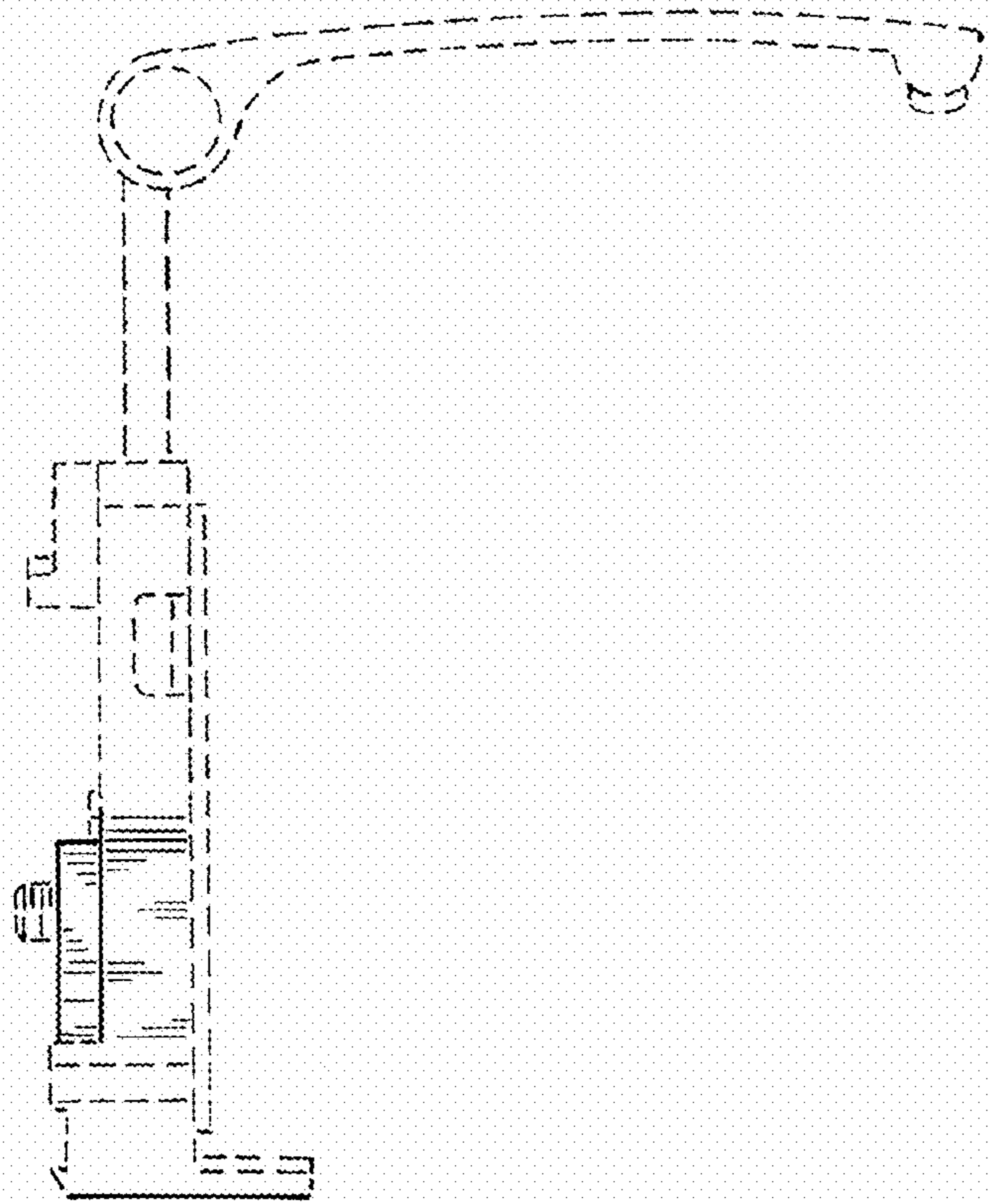


Fig. 5

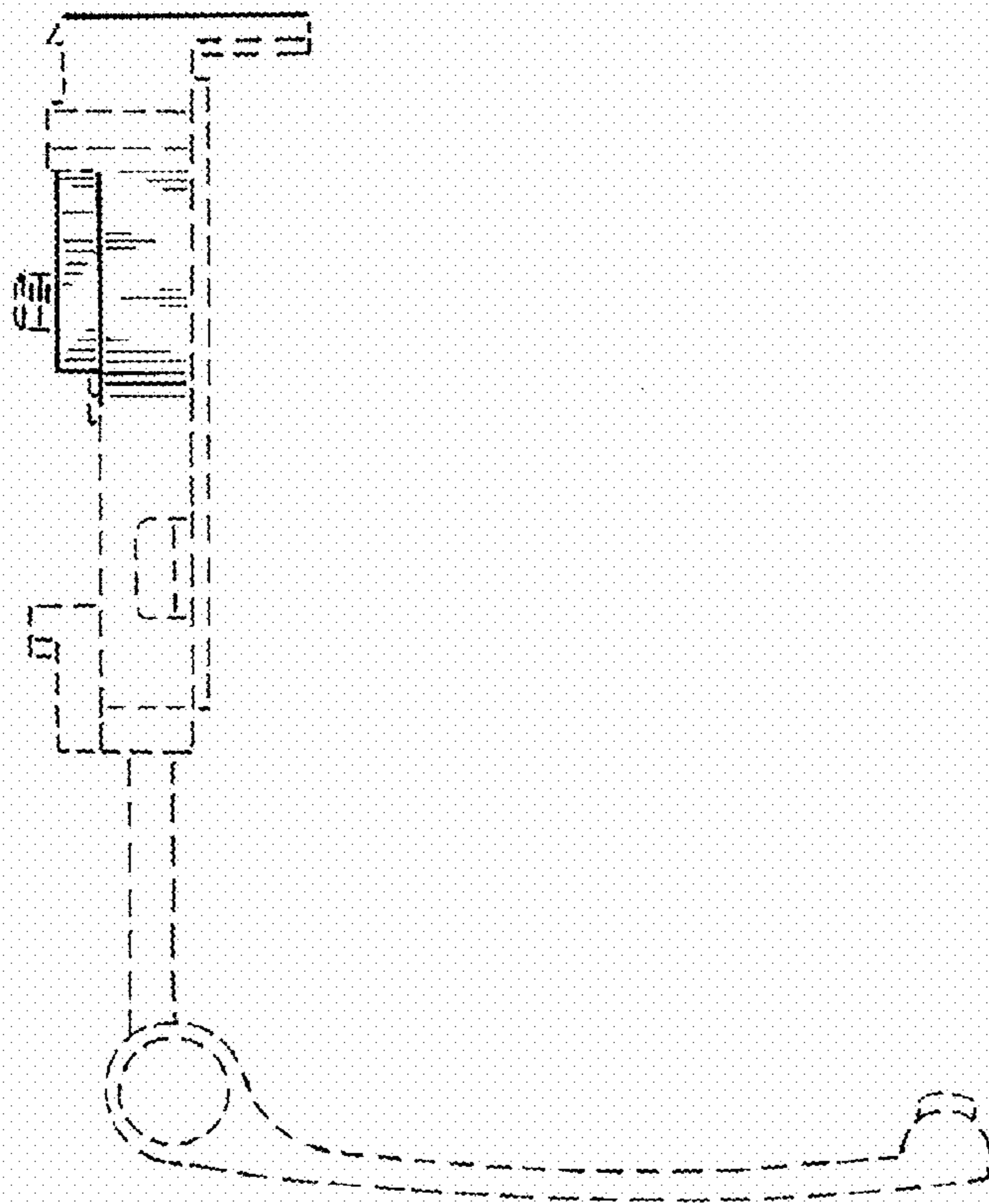


Fig. 4

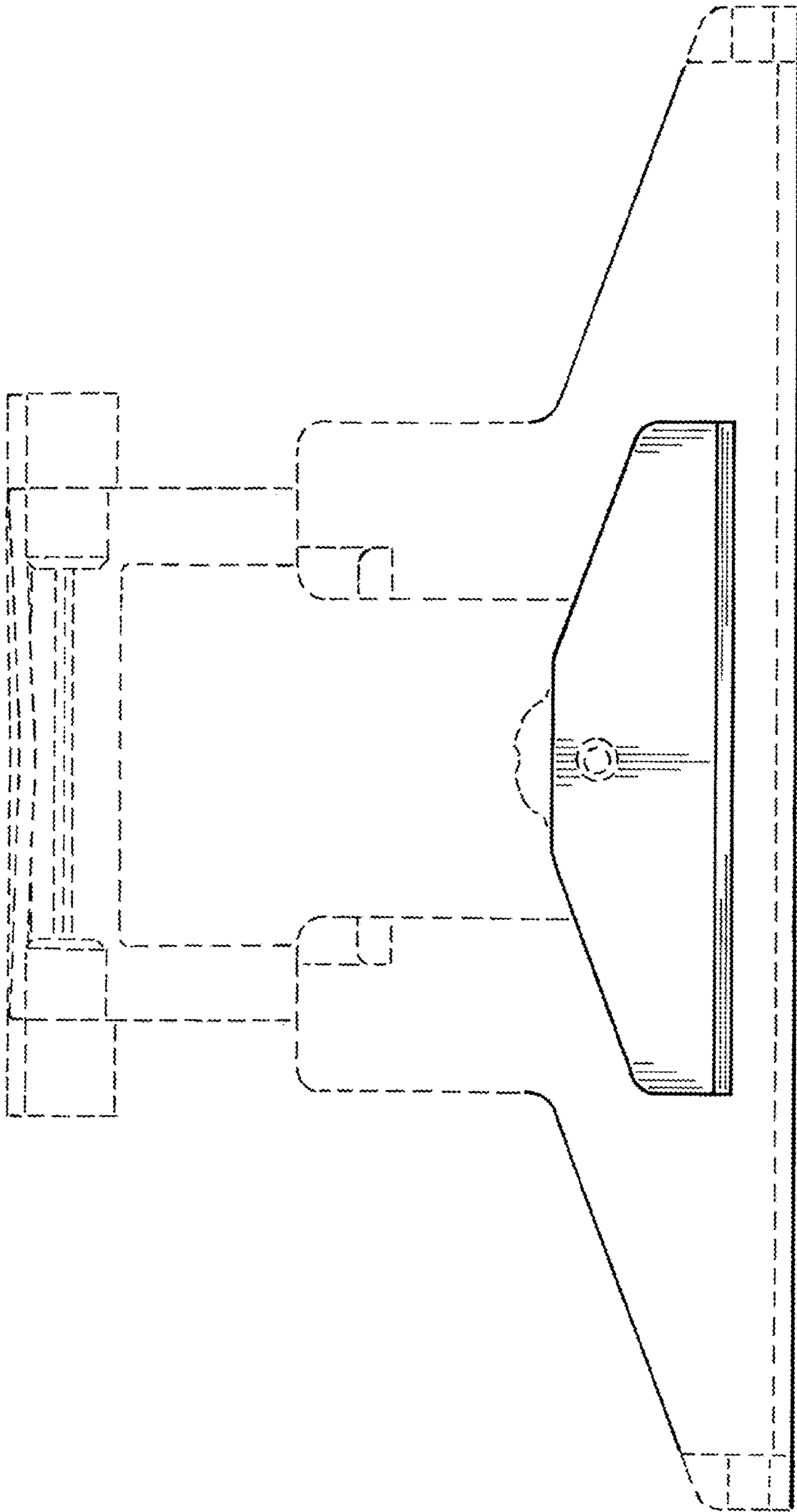


Fig. 6

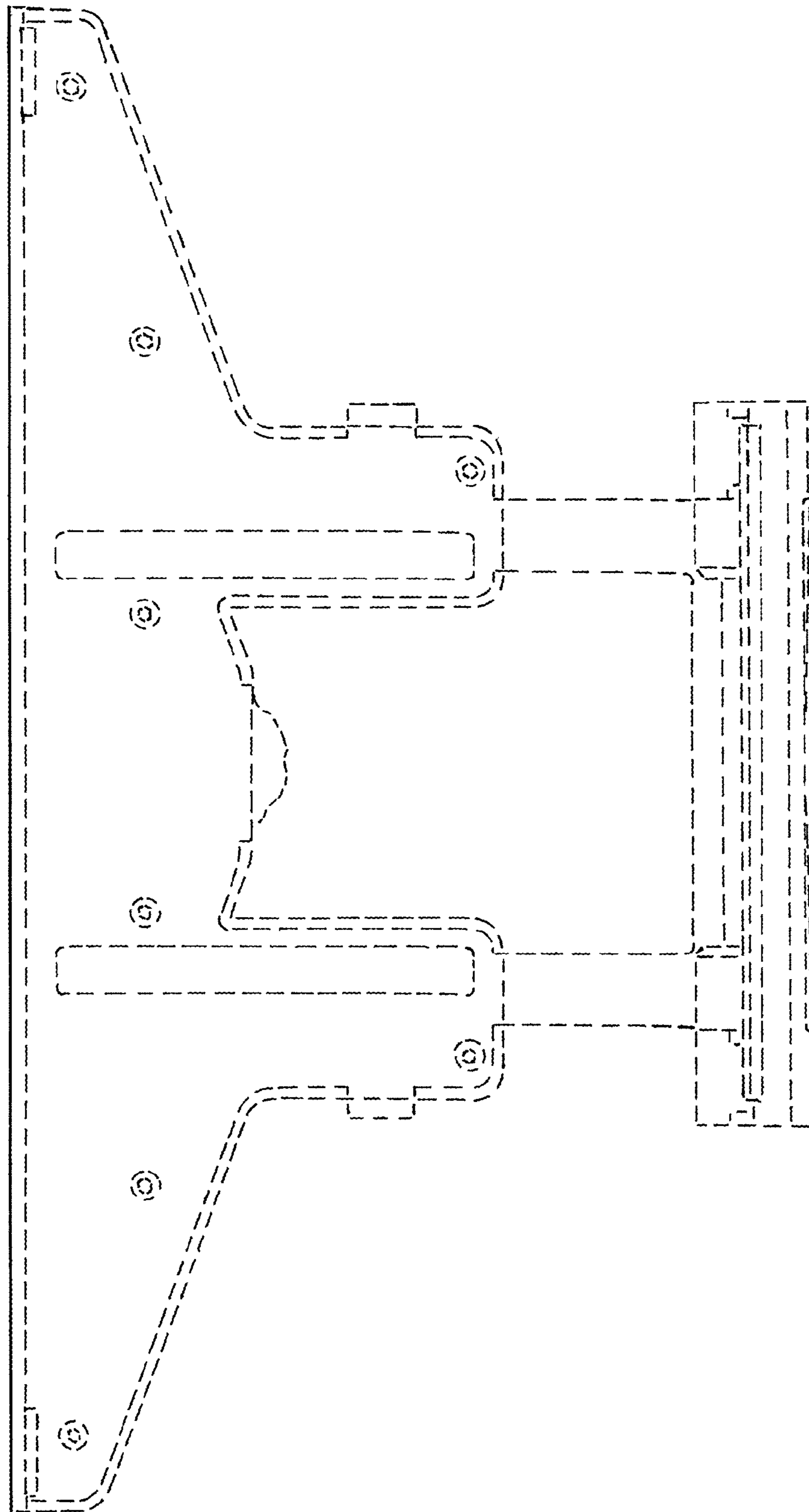


Fig. 7