



US00D764562S

(12) **United States Design Patent**  
**Kim et al.**

(10) **Patent No.:** **US D764,562 S**  
(45) **Date of Patent:** **\*\* Aug. 23, 2016**

(54) **CAMERA LENS**

(71) Applicant: **SAMYANG OPTICS CO., LTD,**  
Changwon-si (KR)

(72) Inventors: **Eun-Jin Kim,** Changwon-si (KR);  
**Dal-Gyu Kim,** Changwon-si (KR)

(73) Assignee: **SAMYANG OPTICS CO., LTD,**  
Changwon-Si (KR)

(\*\*) Term: **15 Years**

(21) Appl. No.: **29/527,568**

(22) Filed: **May 20, 2015**

(30) **Foreign Application Priority Data**

Mar. 20, 2015 (KR) ..... 30-2015-0014300

(51) **LOC (10) Cl.** ..... **16-05**

(52) **U.S. Cl.**  
USPC ..... **D16/219**

(58) **Field of Classification Search**

USPC ..... D16/134, 136, 200, 202-205, 218, 219,  
D16/235; 348/373-376; 359/826-828;  
396/529-532, 535, 539-541  
CPC ..... G03B 17/02; G03B 19/04; G03B 17/56;  
G03B 17/04; G03B 15/03; G03B 17/14;  
H04N 5/2251; H04N 5/2252; H04N 5/2253;  
H04N 5/2254; G02B 7/02; G02B 7/04;  
G02B 7/14

See application file for complete search history.

(56) **References Cited**

U.S. PATENT DOCUMENTS

D562,863 S *	2/2008	Yasutomi	.....	D16/134
7,625,144 B2 *	12/2009	Kranz	.....	G02B 7/14 359/827
D665,837 S *	8/2012	Tainaka	.....	D16/134
D684,208 S *	6/2013	Lee	.....	D16/219
D704,759 S *	5/2014	Park	.....	D16/219
D704,760 S *	5/2014	Jung	.....	D16/219
D718,361 S *	11/2014	Noh	.....	D16/219
D726,239 S *	4/2015	So	.....	D16/219
D737,357 S *	8/2015	Park	.....	D16/219
D737,358 S *	8/2015	Park	.....	D16/219
D737,359 S *	8/2015	Jung	.....	D16/219
D737,360 S *	8/2015	Jung	.....	D16/219
D741,937 S *	10/2015	Park	.....	D16/219

\* cited by examiner

*Primary Examiner* — Philip S Hyder

*Assistant Examiner* — Ramzi Almatrahi

(74) *Attorney, Agent, or Firm* — Goldilocks Zone IP Law

(57) **CLAIM**

The ornamental design for a camera lens, as shown and described.

**DESCRIPTION**

FIG. 1 is a perspective view of a camera lens, showing our new design;  
FIG. 2 is a front view thereof;  
FIG. 3 is a rear view thereof;  
FIG. 4 is a left-side view hereof;  
FIG. 5 is a right-side view thereof;  
FIG. 6 is a top plan view thereof; and,  
FIG. 7 is a bottom plan view thereof.  
The broken lines depict portions of a camera lens in which the design is embodied that form no part of the claimed design.

**1 Claim, 7 Drawing Sheets**

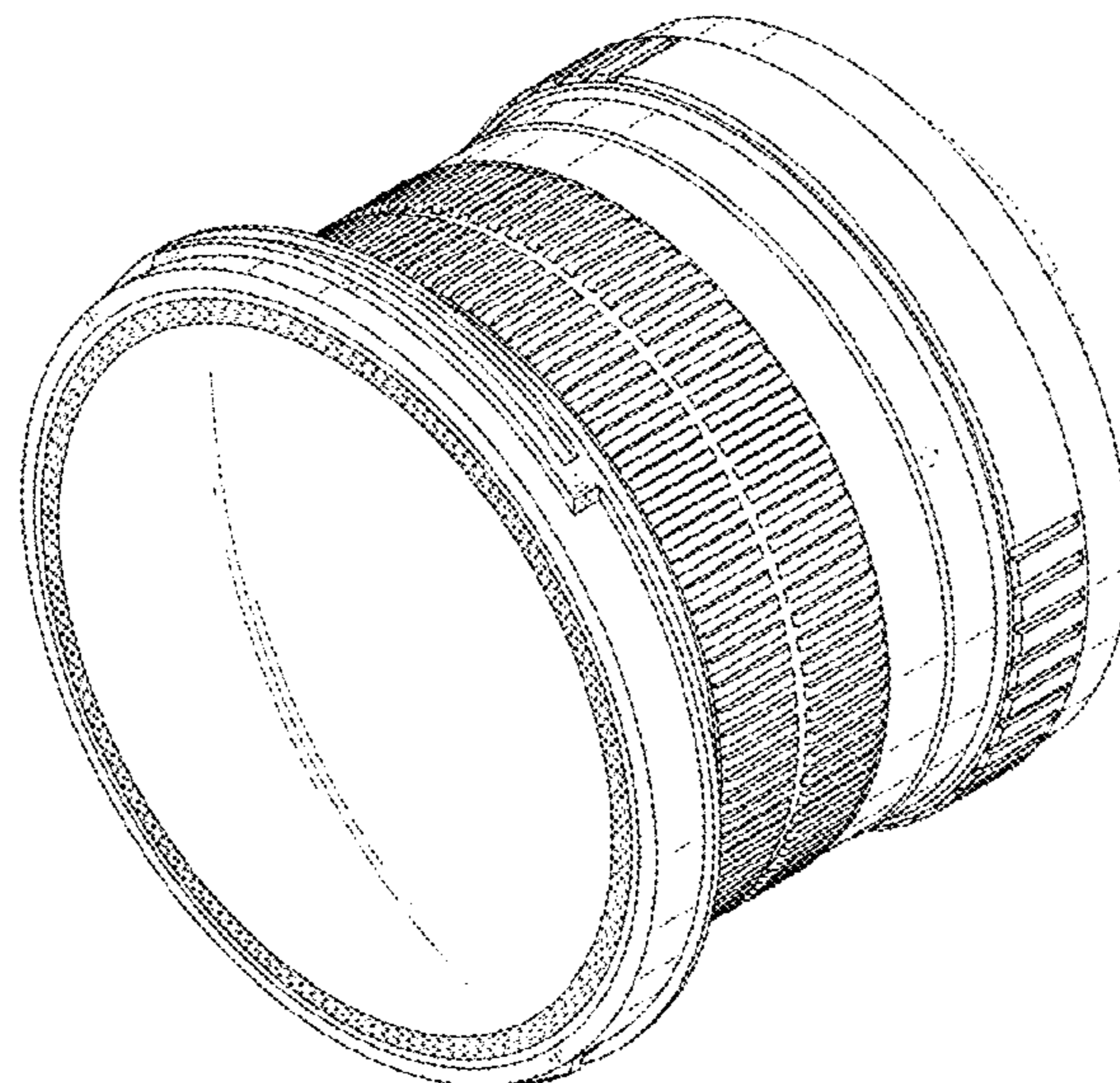


FIG. 1

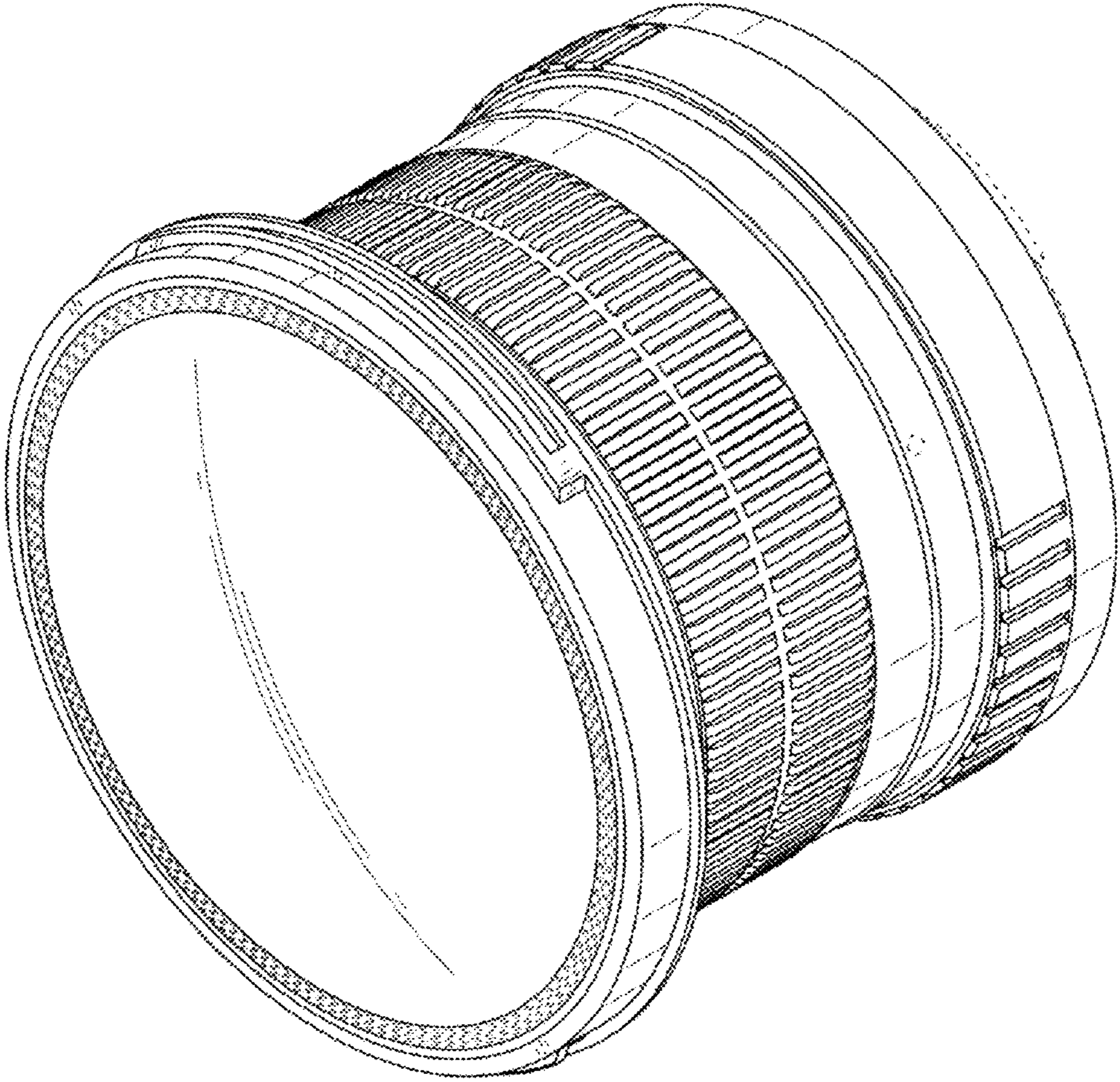


FIG. 2

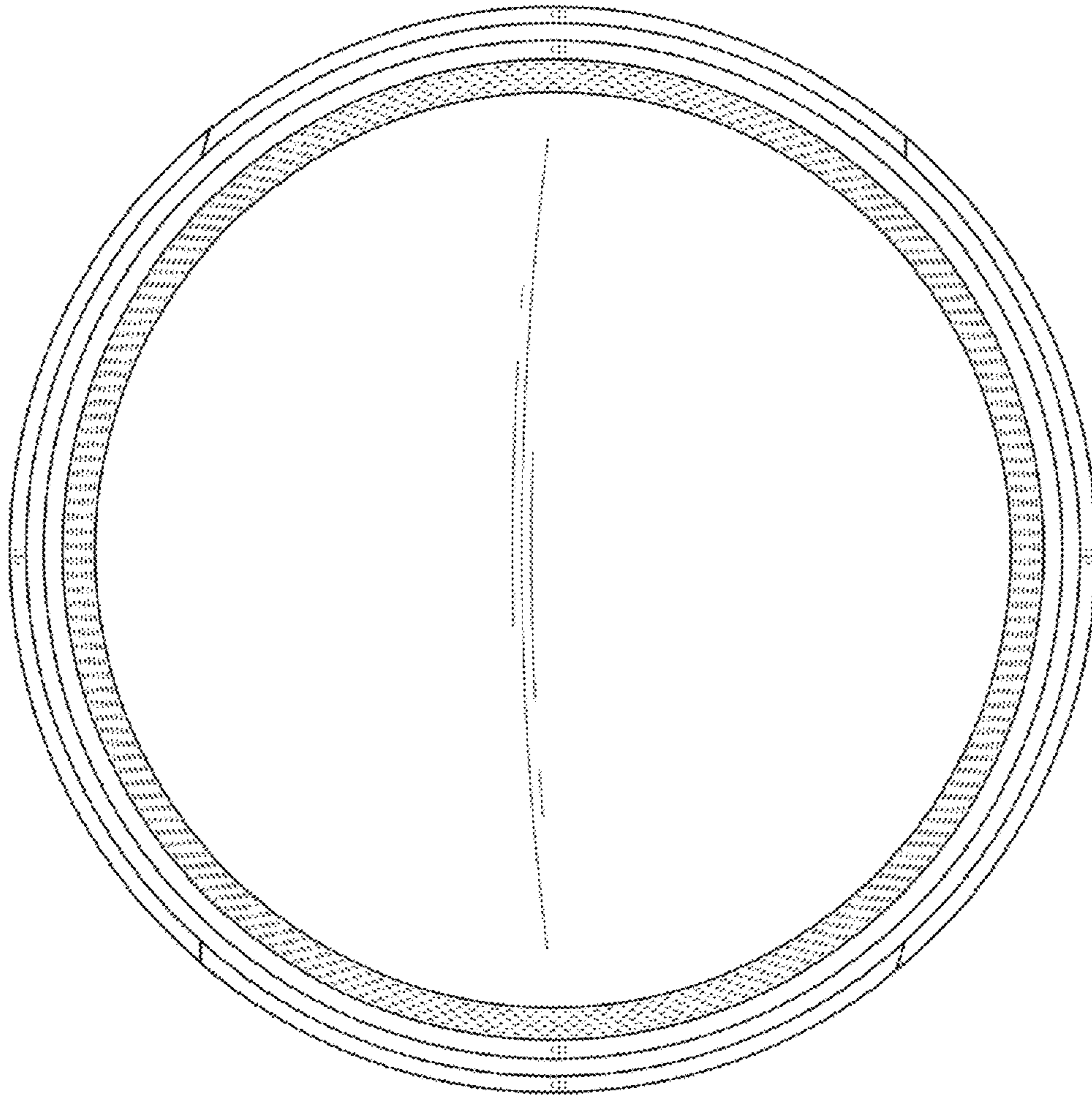


FIG. 3

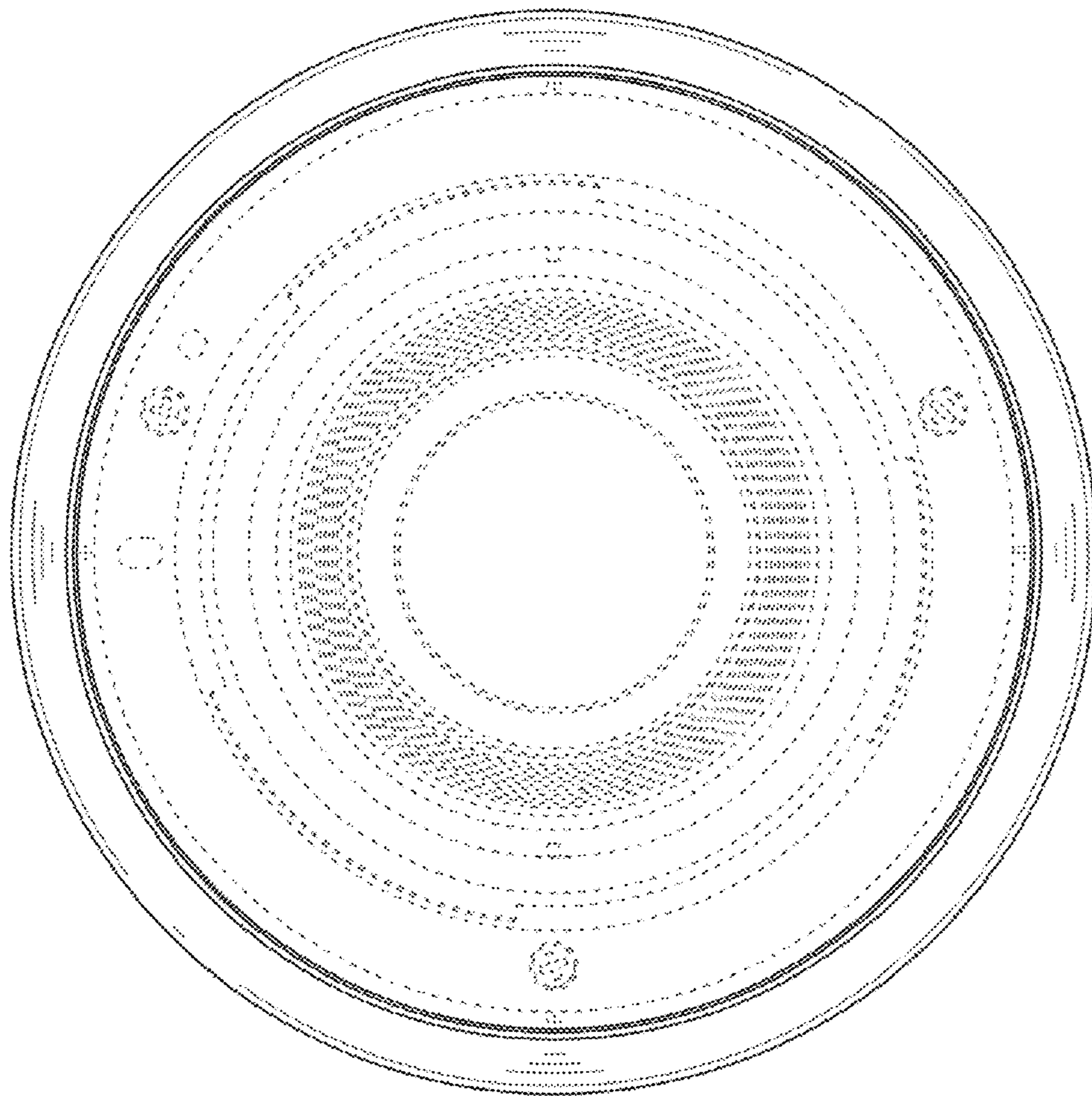


FIG. 4

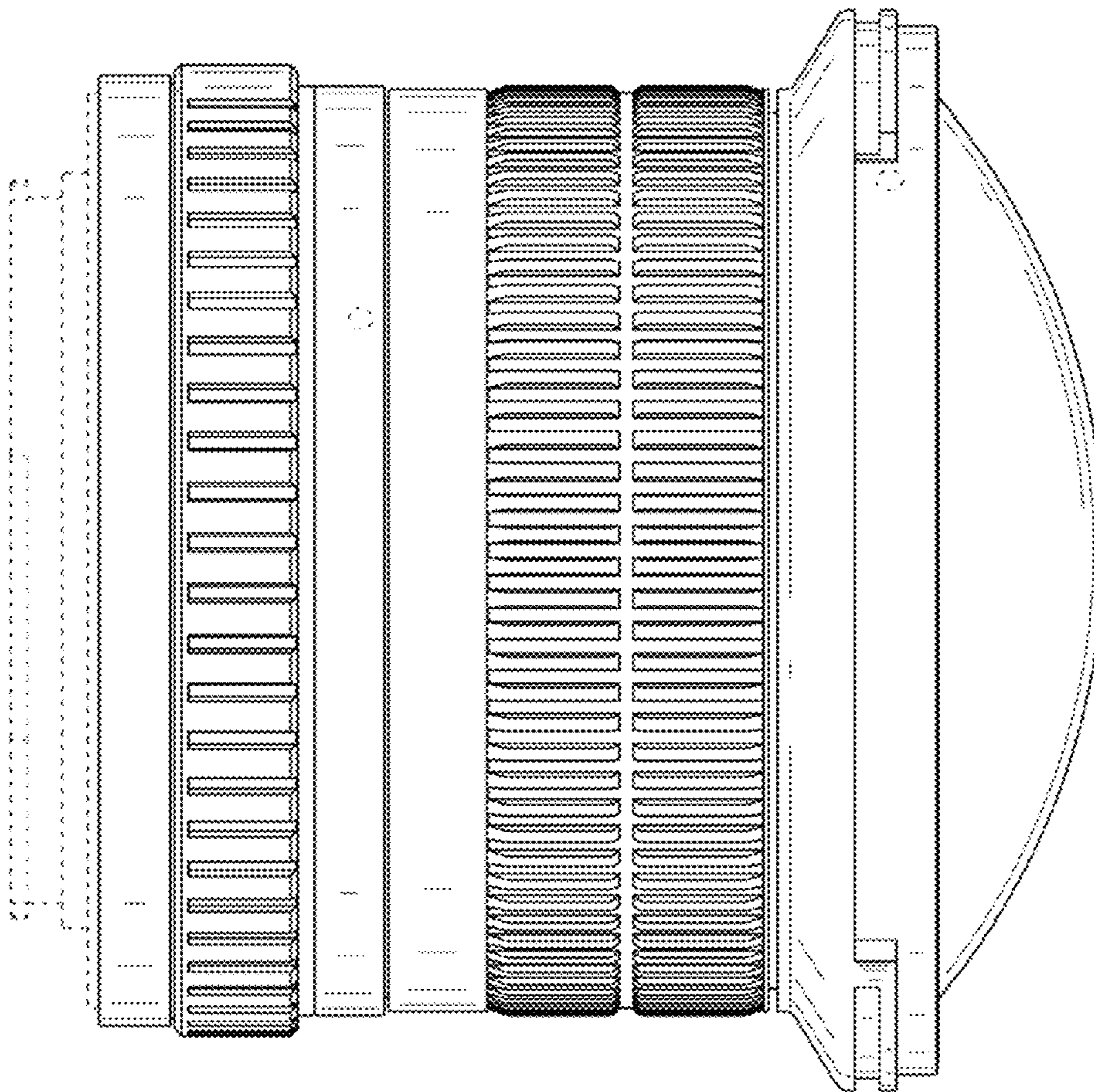


FIG. 5

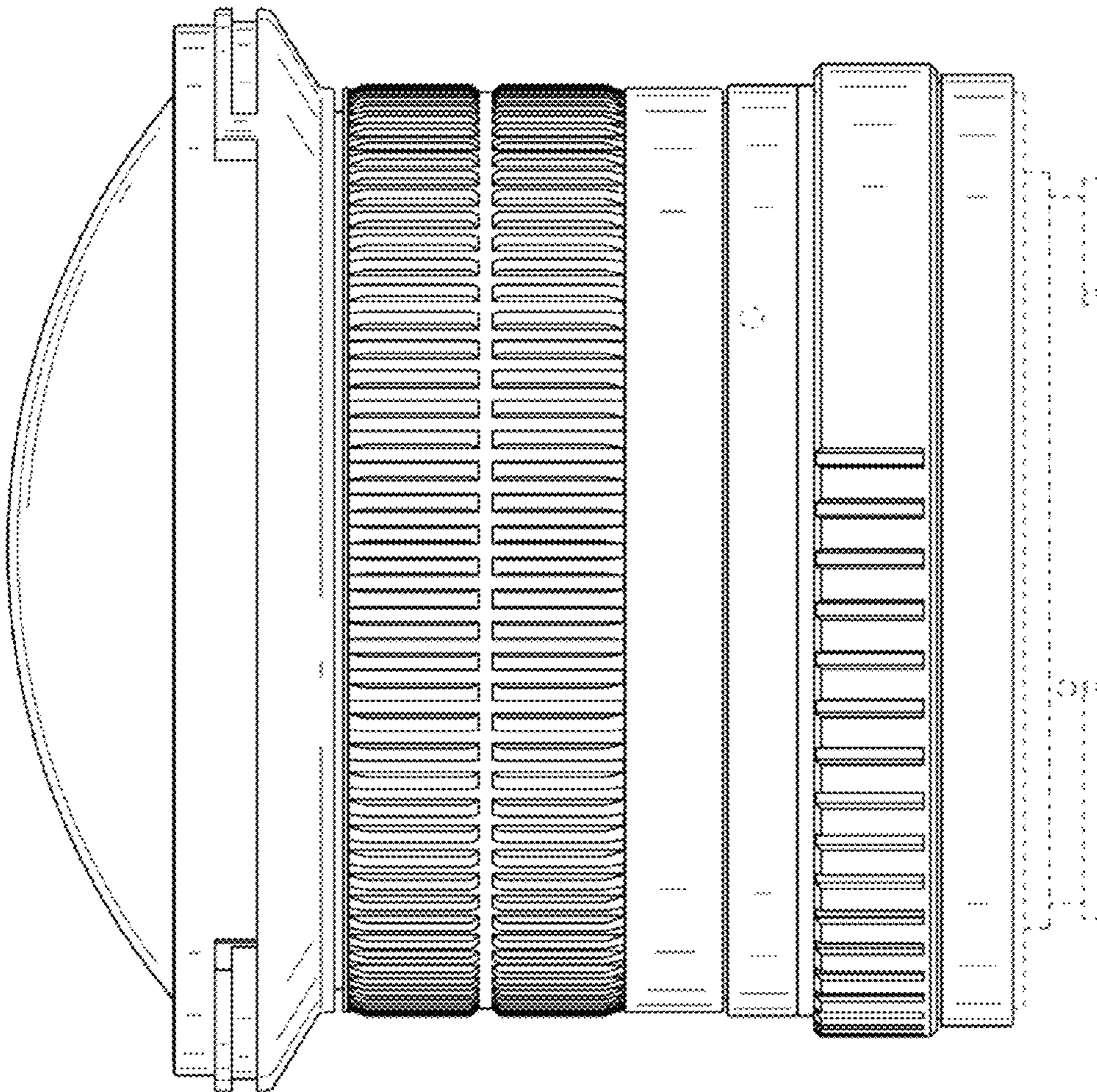


FIG. 6

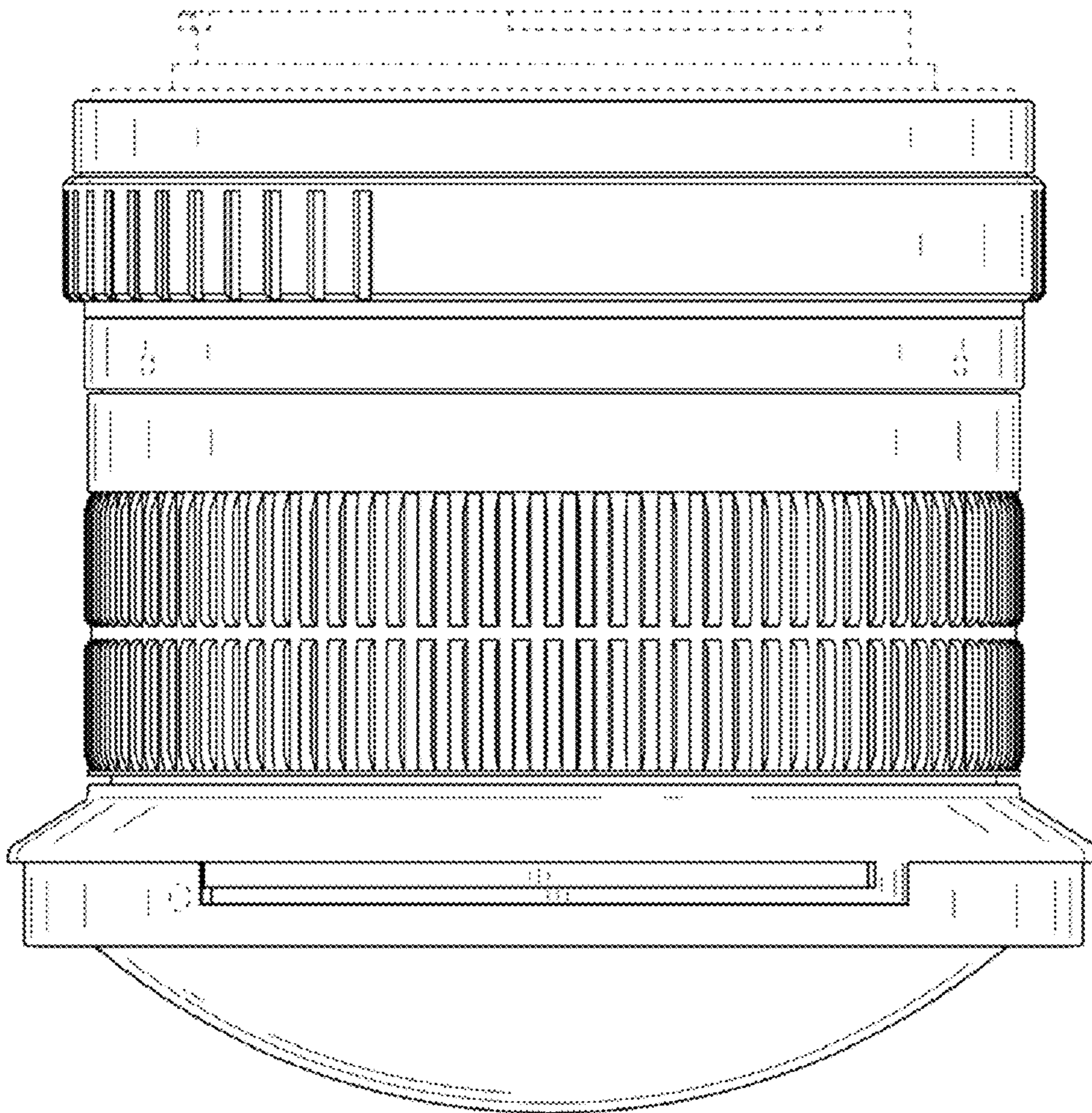


FIG. 7

