



US00D764561S

(12) **United States Design Patent**
Petty et al.

(10) **Patent No.:** **US D764,561 S**

(45) **Date of Patent:** **** Aug. 23, 2016**

(54) **CAMERA**

(71) Applicant: **Blackmagic Design Pty. Ltd.**, Port Melbourne, Victoria (AU)

(72) Inventors: **Grant Petty**, Melbourne (AU); **Simon Kidd**, Prahran (AU); **Stuart Elford**, Newport (AU); **Michael Cornish**, Black Rock (AU); **Chee Yau Lye**, Elwood (AU); **Ryan Harper**, Balwyn (AU); **Kristian Lam**, Point Cook (AU)

(73) Assignee: **Blackmagic Design Pty. Ltd.** (AU)

(**) Term: **14 Years**

(21) Appl. No.: **29/451,667**

(22) Filed: **Apr. 5, 2013**

(51) **LOC (10) Cl.** **16-05**

(52) **U.S. Cl.**
USPC **D16/219**

(58) **Field of Classification Search**
USPC D16/200, 202–206, 208, 209, 218, 219;
348/373–376; 396/535, 539–541
CPC G03B 15/03; G03B 17/02; G03B 17/04;
G03B 17/56; G03B 19/04; H04N 5/2251;
H04N 5/2252; H04N 5/2253; H04N 5/2254;
H04N 2101/00
See application file for complete search history.

(56) **References Cited**

U.S. PATENT DOCUMENTS

D520,544 S * 5/2006 Senda D16/202
D532,031 S * 11/2006 Hayashi D16/218

D557,724 S * 12/2007 Katayama D16/202
D561,225 S * 2/2008 Miyahara D16/219
D631,496 S * 1/2011 Tainaka D16/202
D631,499 S * 1/2011 Meguro D16/219
D640,720 S * 6/2011 Yoshii et al. D16/202
D646,314 S * 10/2011 Nohara D16/202
D653,275 S * 1/2012 Sakai D16/202
D656,530 S * 3/2012 Kwon D16/202
D657,408 S * 4/2012 Tainaka D16/202
D669,930 S * 10/2012 Koyama et al. D16/219
8,638,390 B2 * 1/2014 Shinohara et al. 348/373
D701,892 S * 4/2014 Jang D16/202

* cited by examiner

Primary Examiner — Susan E Krakower

Assistant Examiner — Ramzi Almatrahi

(74) *Attorney, Agent, or Firm* — Saidman DesignLaw Group, LLC

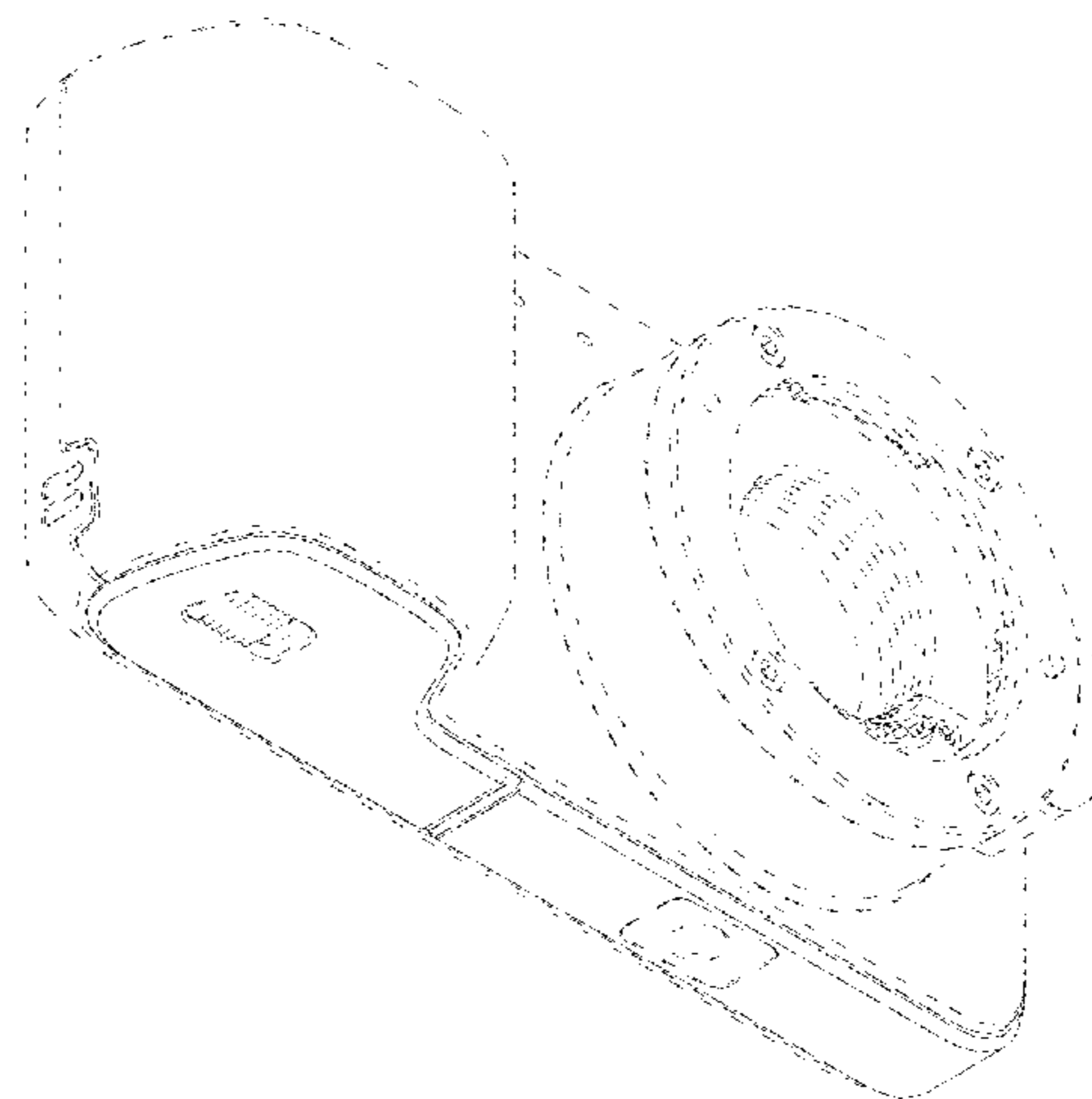
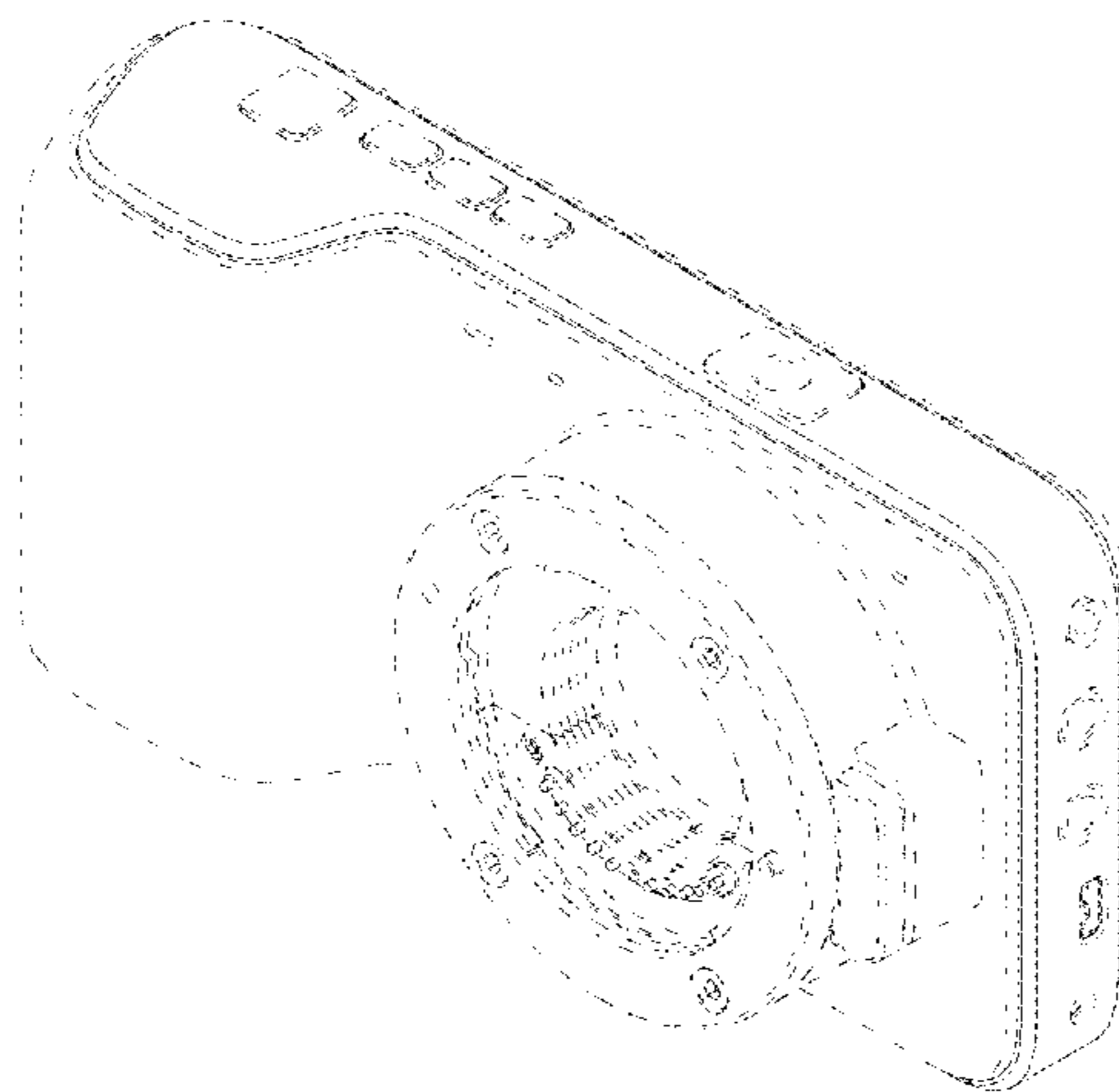
(57) **CLAIM**

The ornamental design for a camera, as shown and described.

DESCRIPTION

FIG. 1 is a front view of a camera showing our new design; FIG. 2 is a top view thereof; FIG. 3 is a rear view thereof; FIG. 4 is a bottom view thereof; FIG. 5 is a right side view thereof; FIG. 6 is a left side view thereof; FIG. 7 is a top, front perspective view thereof; FIG. 8 is a top, rear perspective view thereof; FIG. 9 is a bottom, front perspective view thereof; and, FIG. 10 is a bottom, rear perspective view thereof. The broken lines depict portions of a camera in which the design is embodied and form no part of the claimed design.

1 Claim, 10 Drawing Sheets



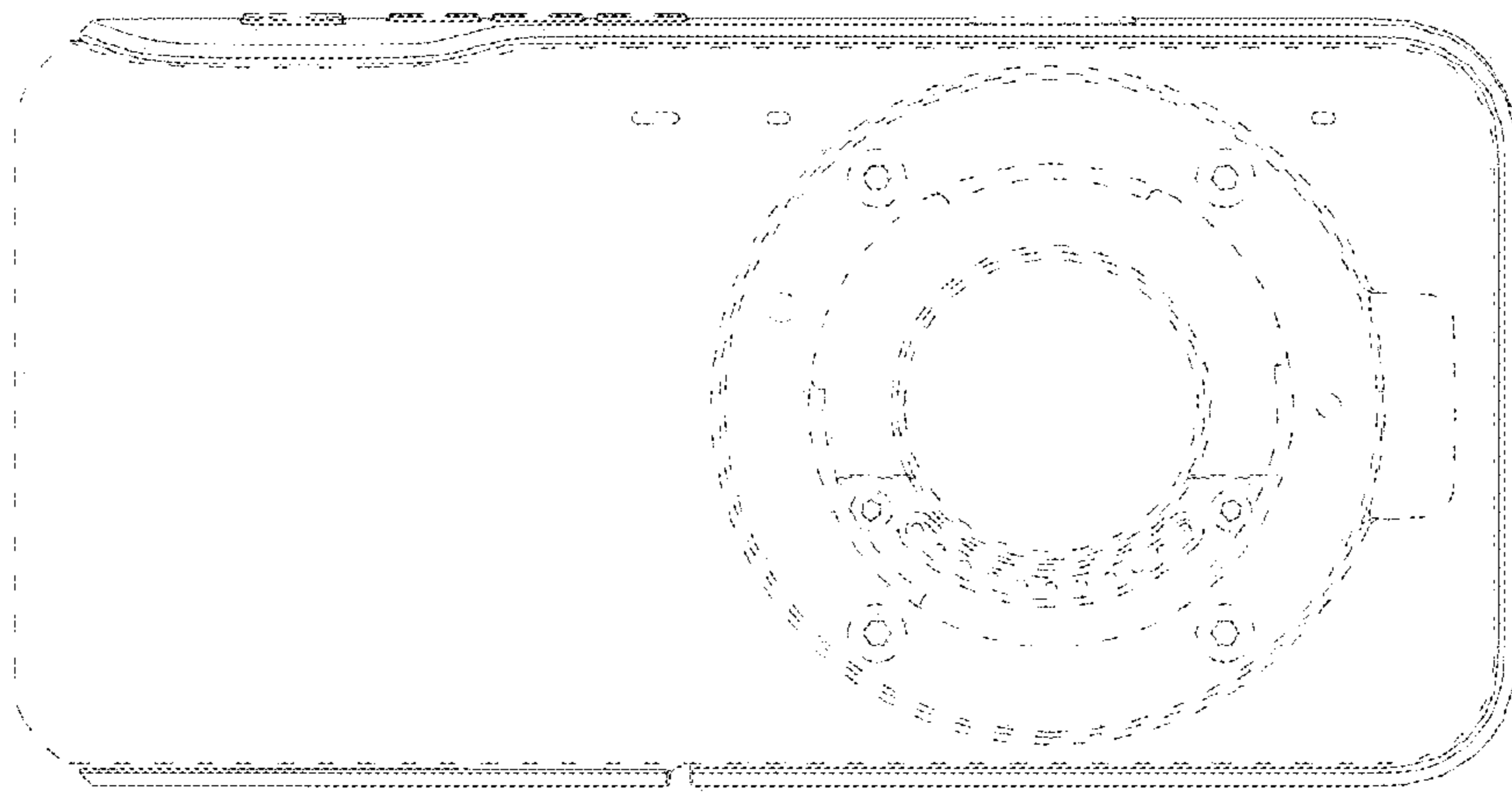


Fig. 1

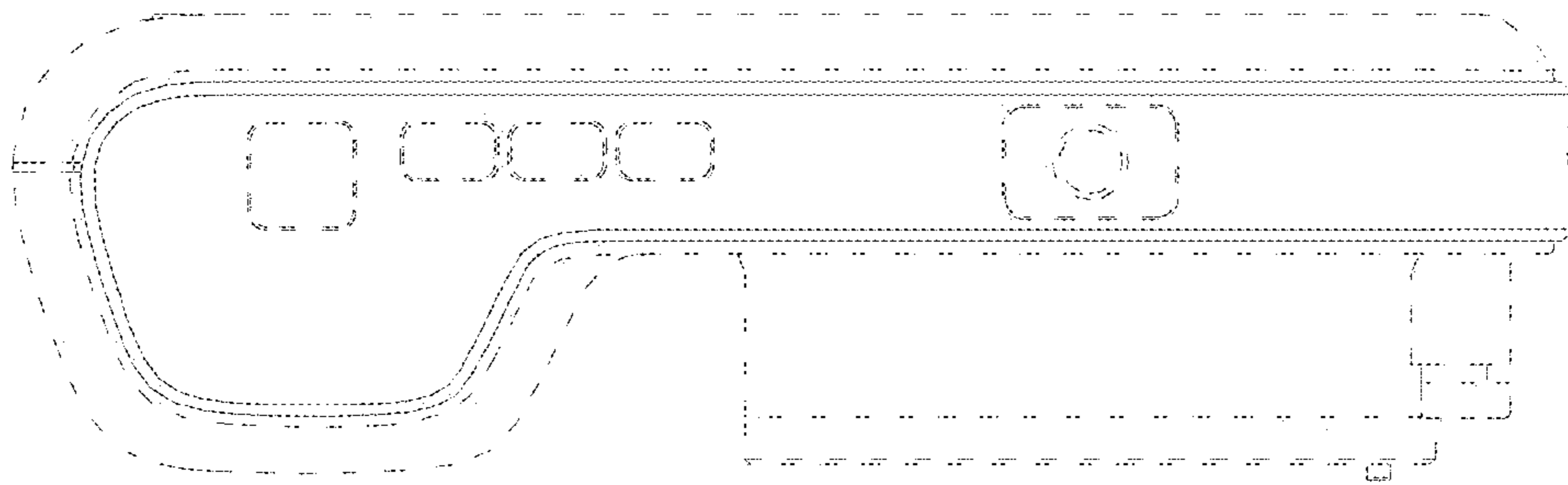


Fig. 2

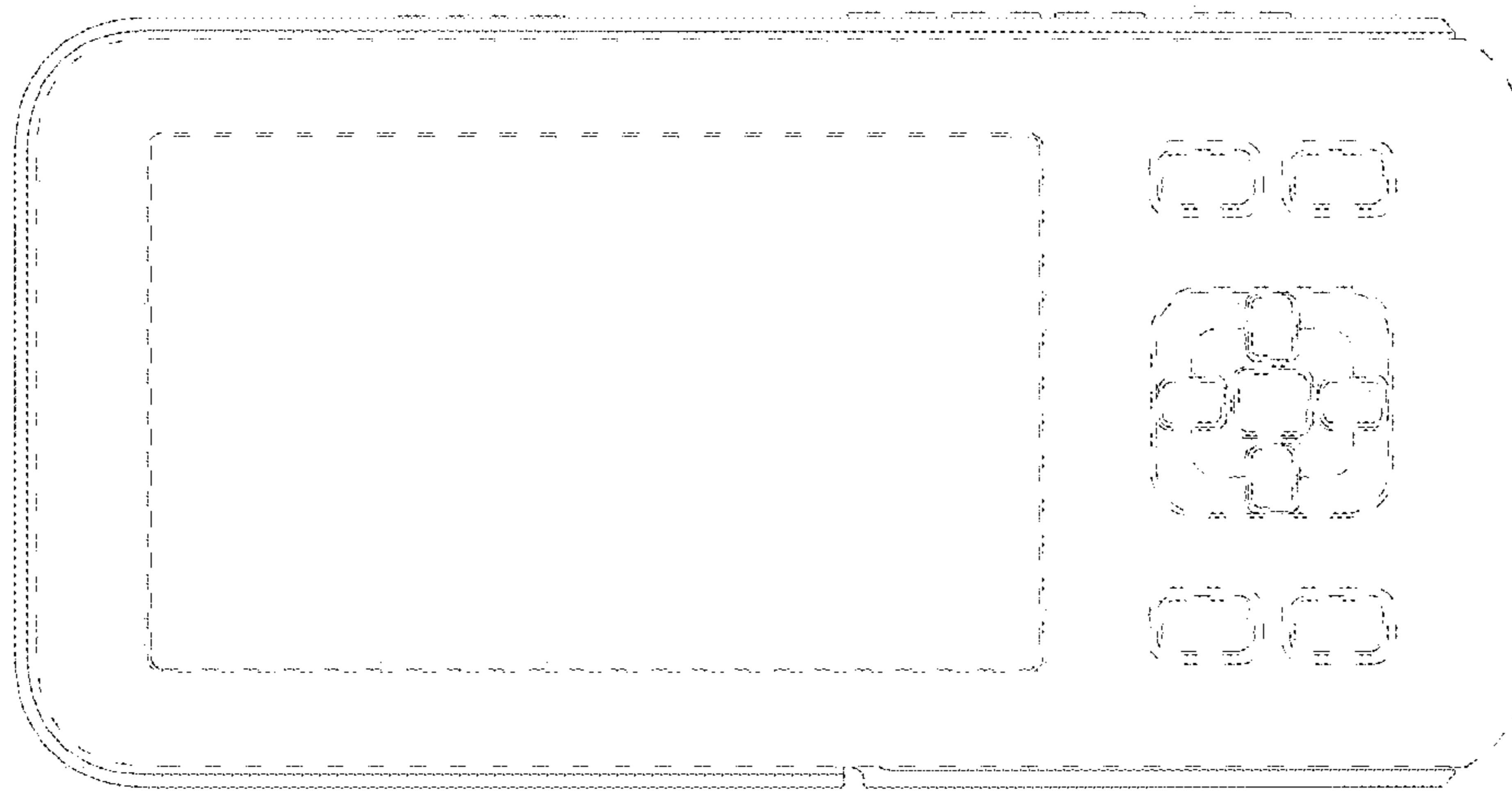


Fig. 3

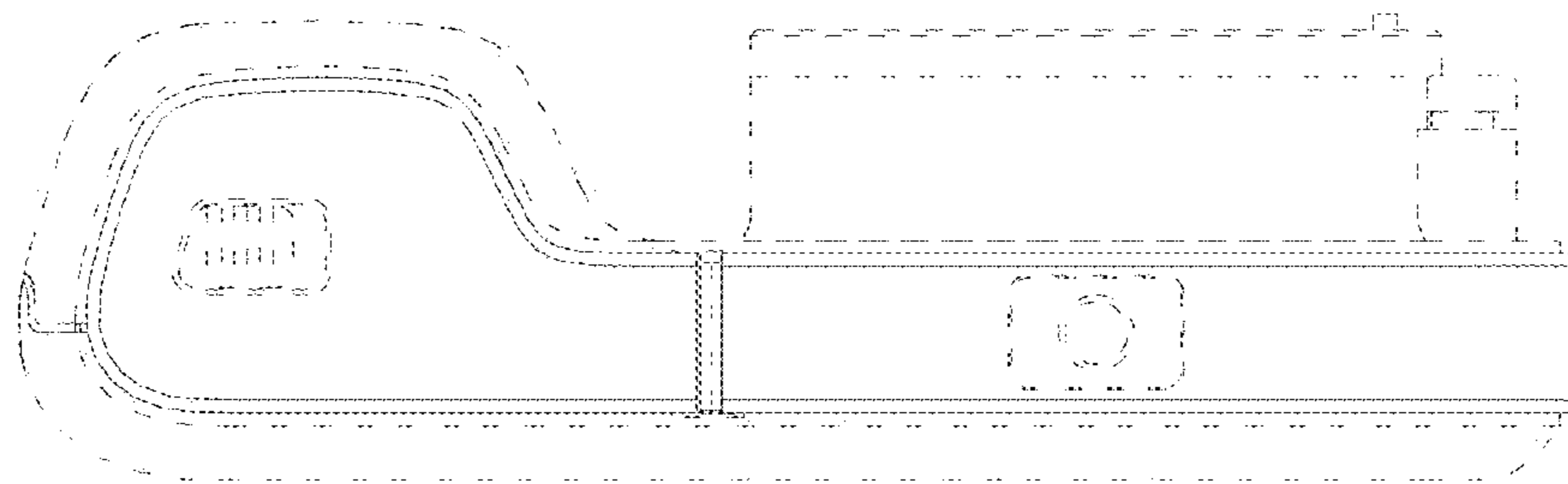


Fig. 4

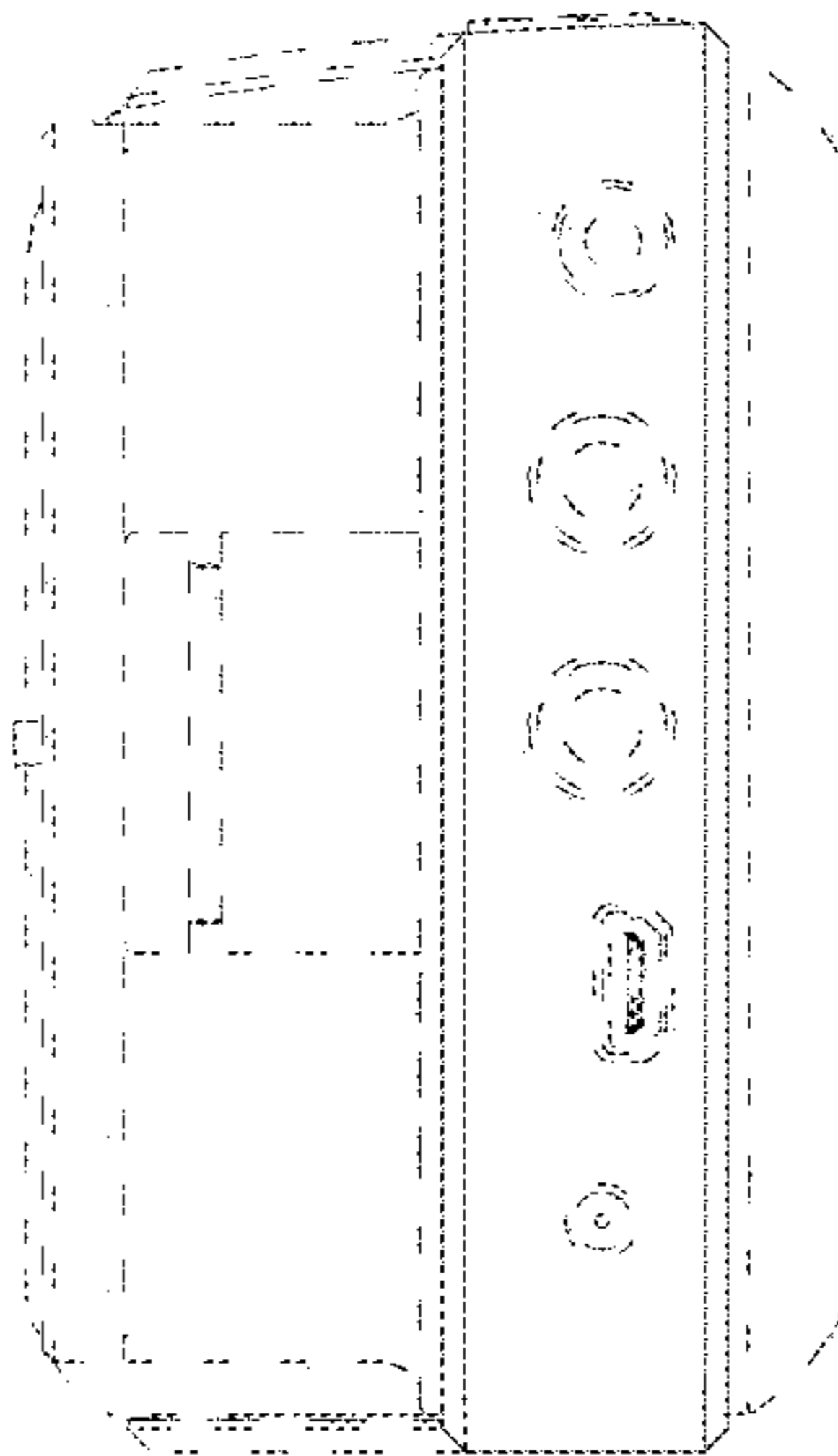


Fig. 5

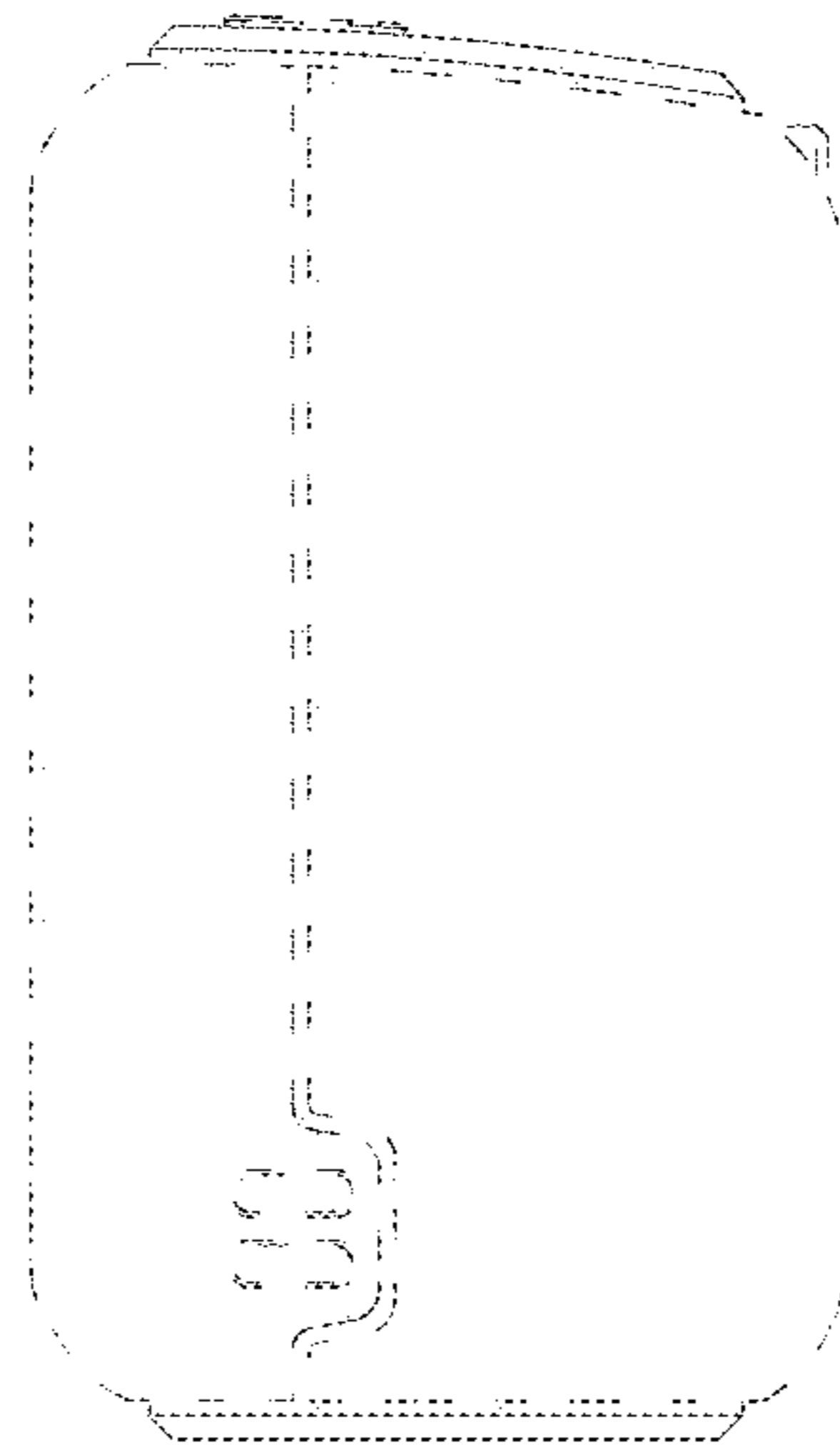


Fig. 6

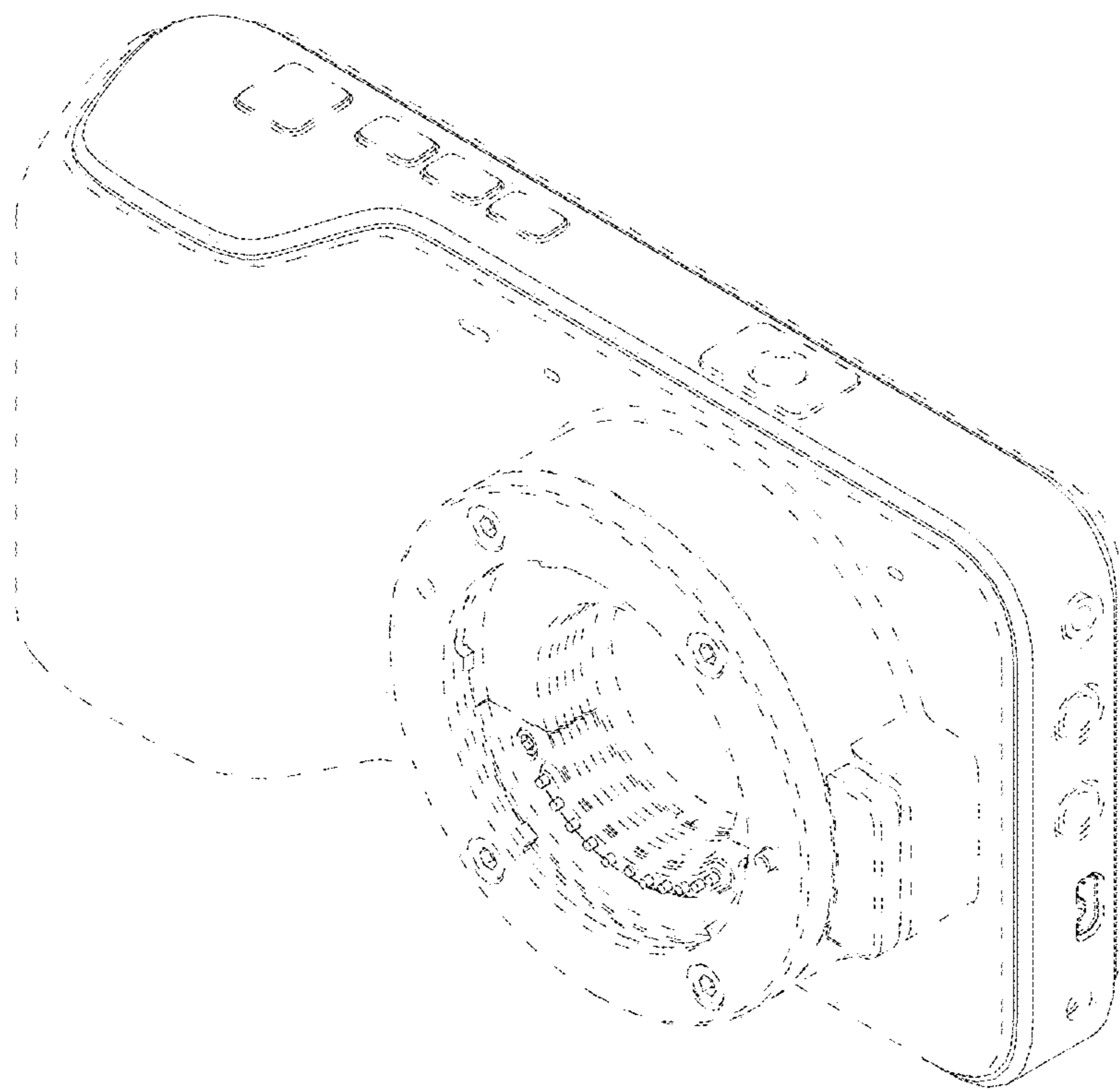


Fig. 7

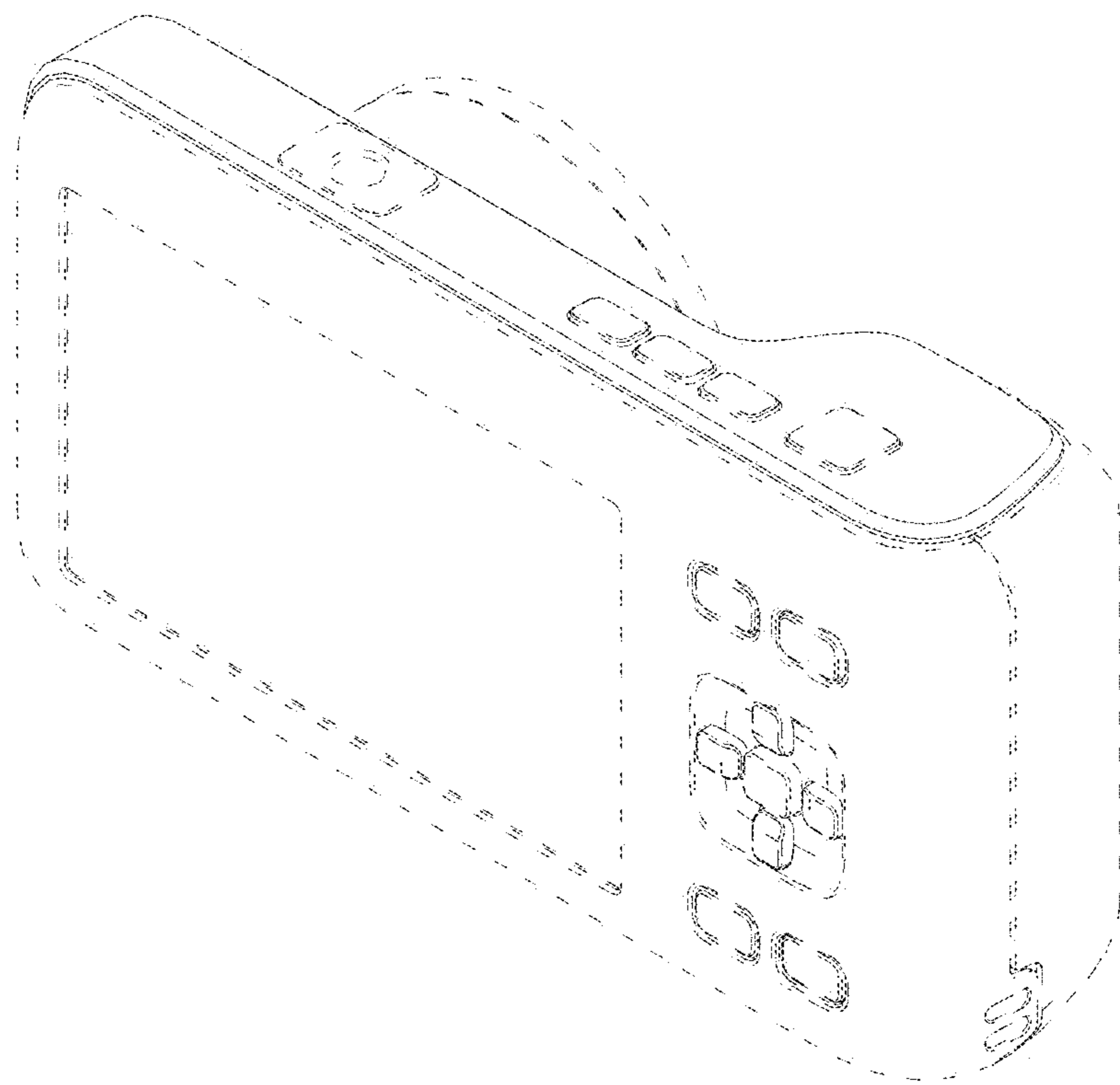


Fig. 8

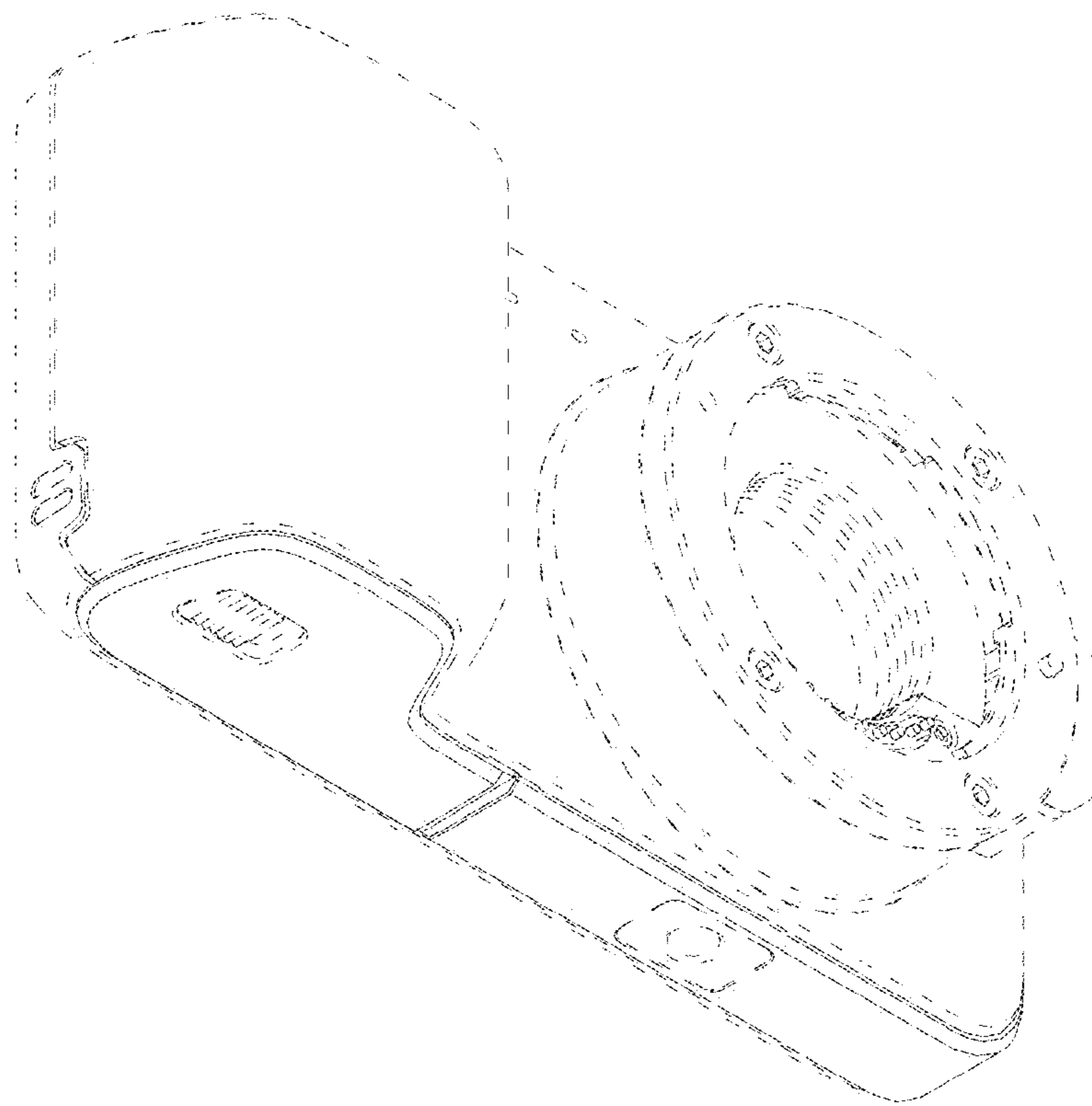


Fig. 9

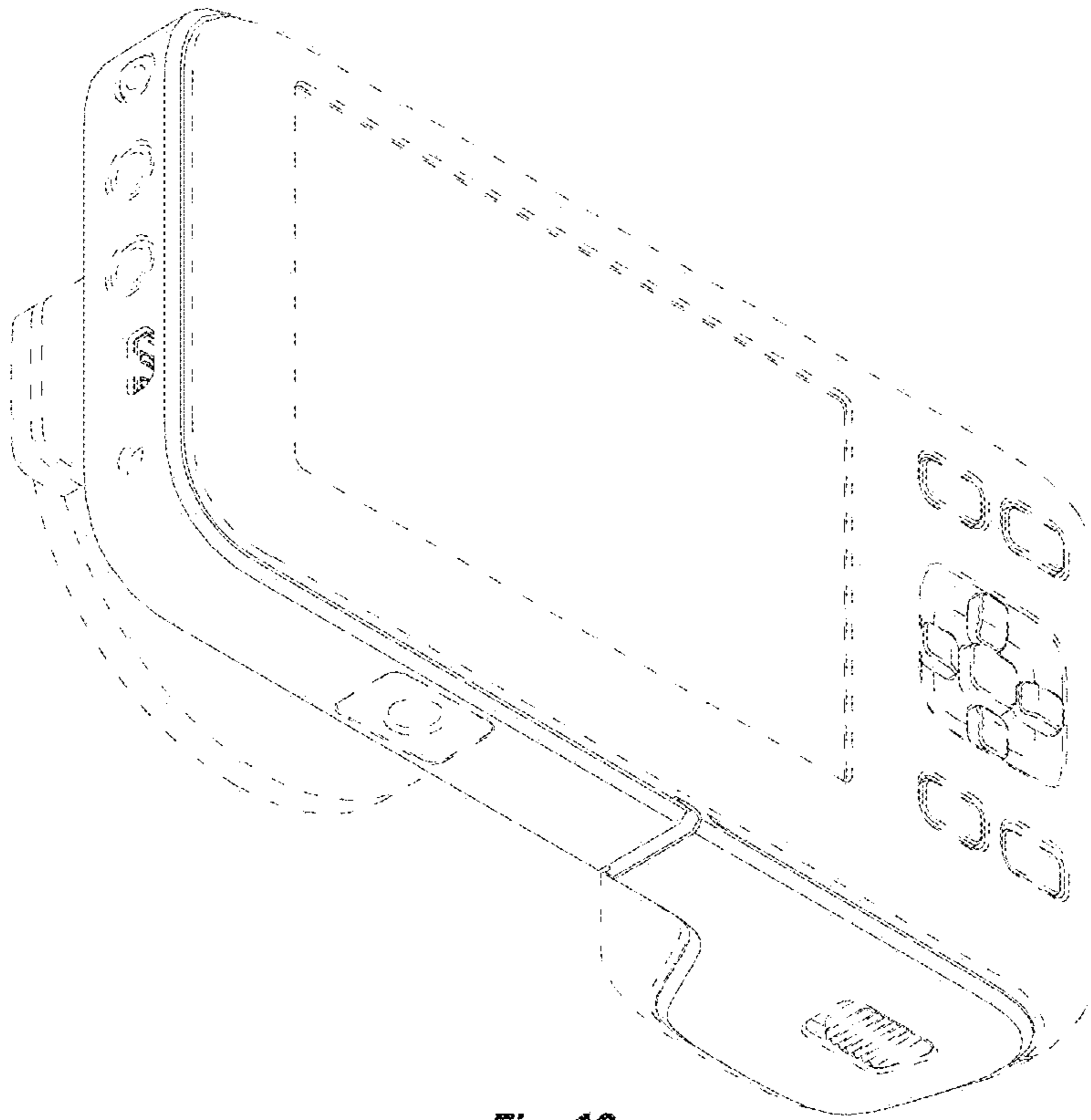


Fig. 10