



US00D764560S

(12) **United States Design Patent**
Jang et al.

(10) **Patent No.:** **US D764,560 S**

(45) **Date of Patent:** **** Aug. 23, 2016**

(54) **CAMERA**

(71) Applicant: **Samsung Electronics Co., Ltd.**,
Suwon-si (KR)

(72) Inventors: **Seung-Ho Jang**, Seongnam-si (KR);
Joo-Hyung Lee, Seoul (KR);
Young-Sang Jang, Anyang-si (KR)

(73) Assignee: **Samsung Electronics Co., Ltd.**,
Suwon-si (KR)

(**) Term: **15 Years**

(21) Appl. No.: **29/531,524**

(22) Filed: **Jun. 26, 2015**

(30) **Foreign Application Priority Data**

Dec. 30, 2014 (KR) 30-2014-0064092

(51) **LOC (10) Cl.** **16-01**

(52) **U.S. Cl.**
USPC **D16/202**

(58) **Field of Classification Search**
USPC D16/200, 202-206, 208-209, 212, 218,
D16/219; 348/373-376; 396/26, 287, 535,
396/539-541
CPC G03B 15/03; G03B 17/02; G03B 17/04;
G03B 17/56; G03B 19/04; H04N 5/2251;
H04N 5/2252; H04N 5/2253; H04N 5/2254;
H04N 2101/00

See application file for complete search history.

(56) **References Cited**

U.S. PATENT DOCUMENTS

6,477,329 B2 * 11/2002 Weng H04N 5/2259
348/333.06
D556,229 S * 11/2007 Bai D16/202
D685,834 S * 7/2013 Chai D16/202
D695,802 S * 12/2013 Kim D16/200

D695,803 S * 12/2013 Kyunghan D16/202
D700,229 S * 2/2014 Ham D16/202
D701,892 S * 4/2014 Jang D16/202
D712,947 S 9/2014 Chai
D712,948 S * 9/2014 Chai D16/202
D712,949 S * 9/2014 Kwon D16/202
D713,869 S * 9/2014 Kim D16/202
D725,173 S * 3/2015 Chai D16/219

(Continued)

FOREIGN PATENT DOCUMENTS

EM 001361778-0007 2/2013
EM 002271700-0001 7/2013

OTHER PUBLICATIONS

“Leica New Version of Transferable Lens Leica T” May 8, 2014
www.popco.net <http://www.popco.net/zboard/view.php?id=dica_brandlist&no=2088>.

(Continued)

Primary Examiner — Susan E Krakower

Assistant Examiner — Ramzi Almatrahi

(74) *Attorney, Agent, or Firm* — NSIP Law

(57) **CLAIM**

We claim the ornamental design for a camera, as shown and described.

DESCRIPTION

FIG. 1 is a front perspective view of a camera showing our new design;

FIG. 2 is a front view thereof;

FIG. 3 is a rear view thereof;

FIG. 4 is a left-side view thereof;

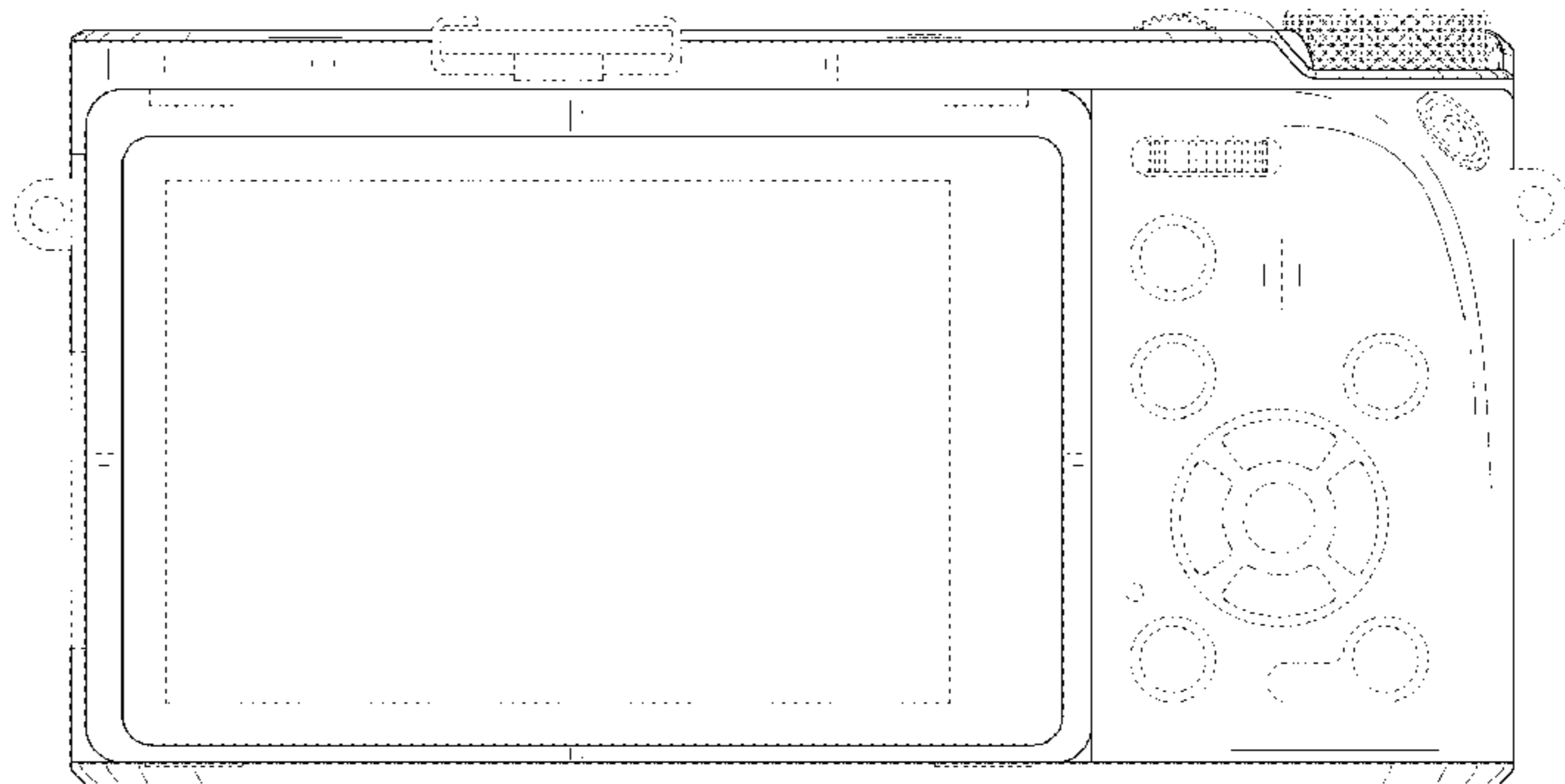
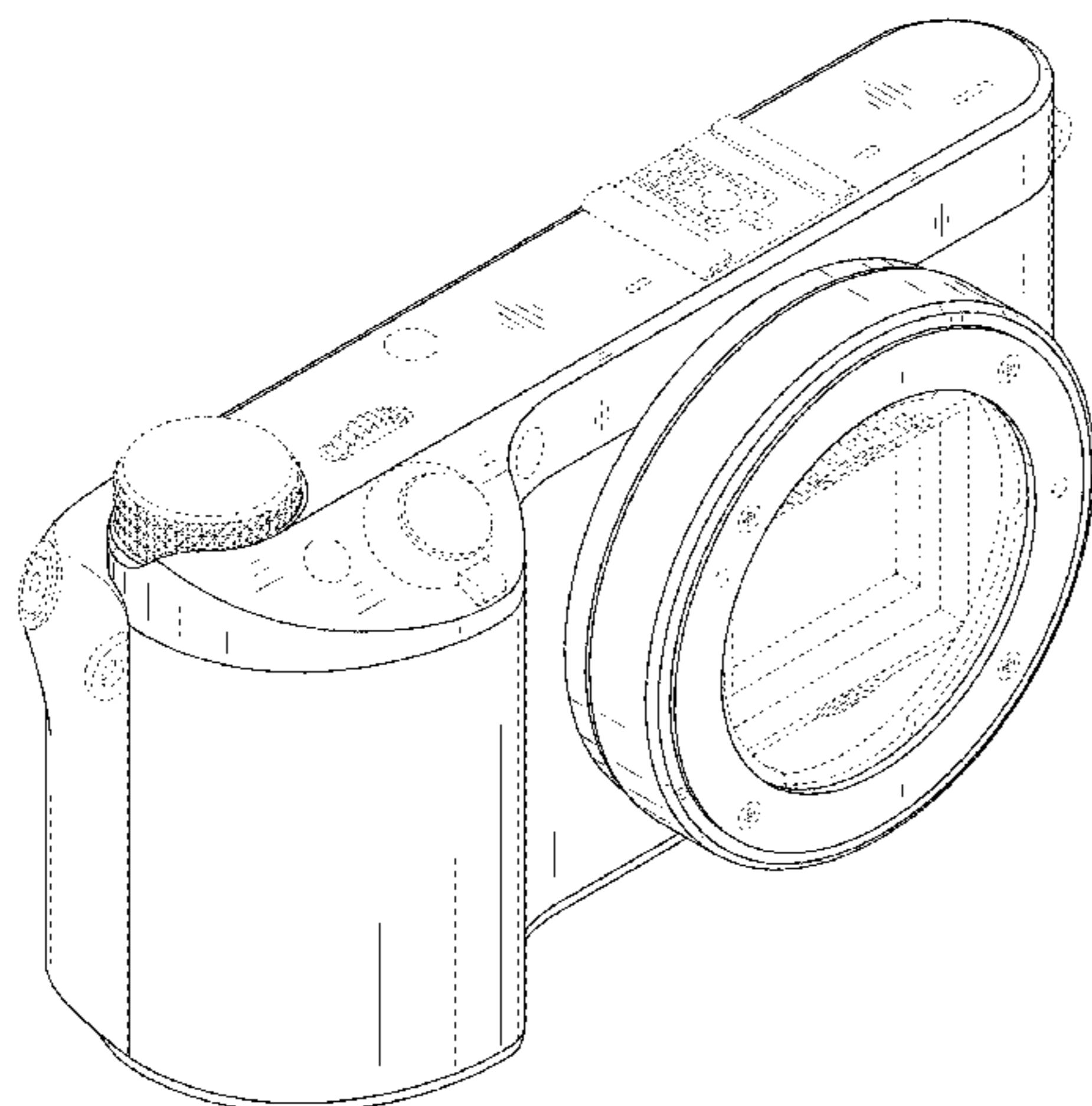
FIG. 5 is a right-side view thereof;

FIG. 6 is a top view thereof; and,

FIG. 7 is a bottom view thereof.

The broken lines in the figures show portions of the camera which form no part of the claimed design.

1 Claim, 7 Drawing Sheets



(56)

References Cited

U.S. PATENT DOCUMENTS

D738,419 S * 9/2015 Lee D16/202
2014/0340576 A1* 11/2014 Kim H04N 1/00315
348/375

OTHER PUBLICATIONS

“Sony Mirrorless NEX-5R Camera NEX-5N Follow-Up Information and Specifications Release Date/ Price/ Yapan Information” Sep. 8, 2012 www.ocer.kr <<http://ocer.kr/6106>>.

* cited by examiner

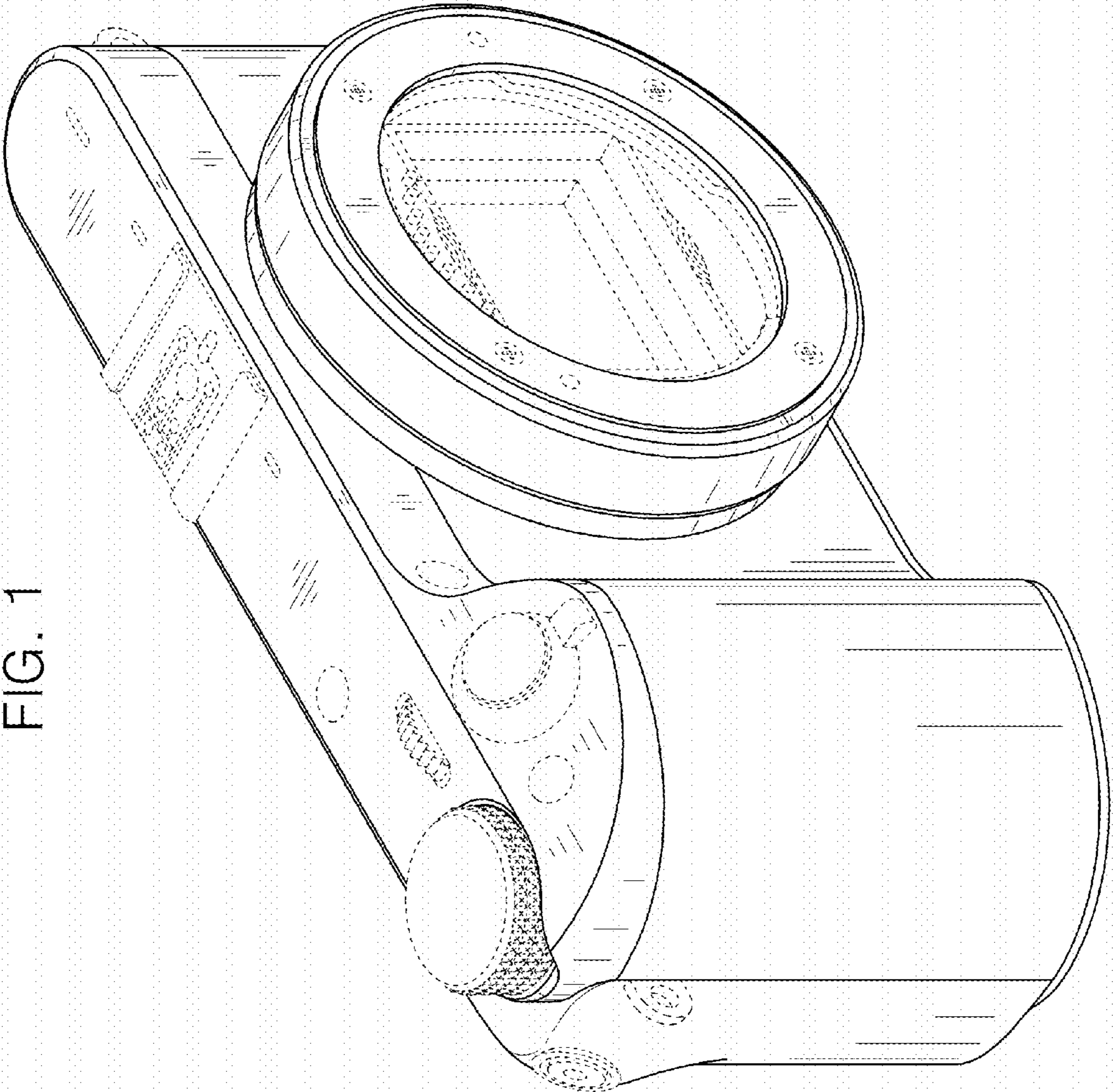


FIG. 1

FIG. 2

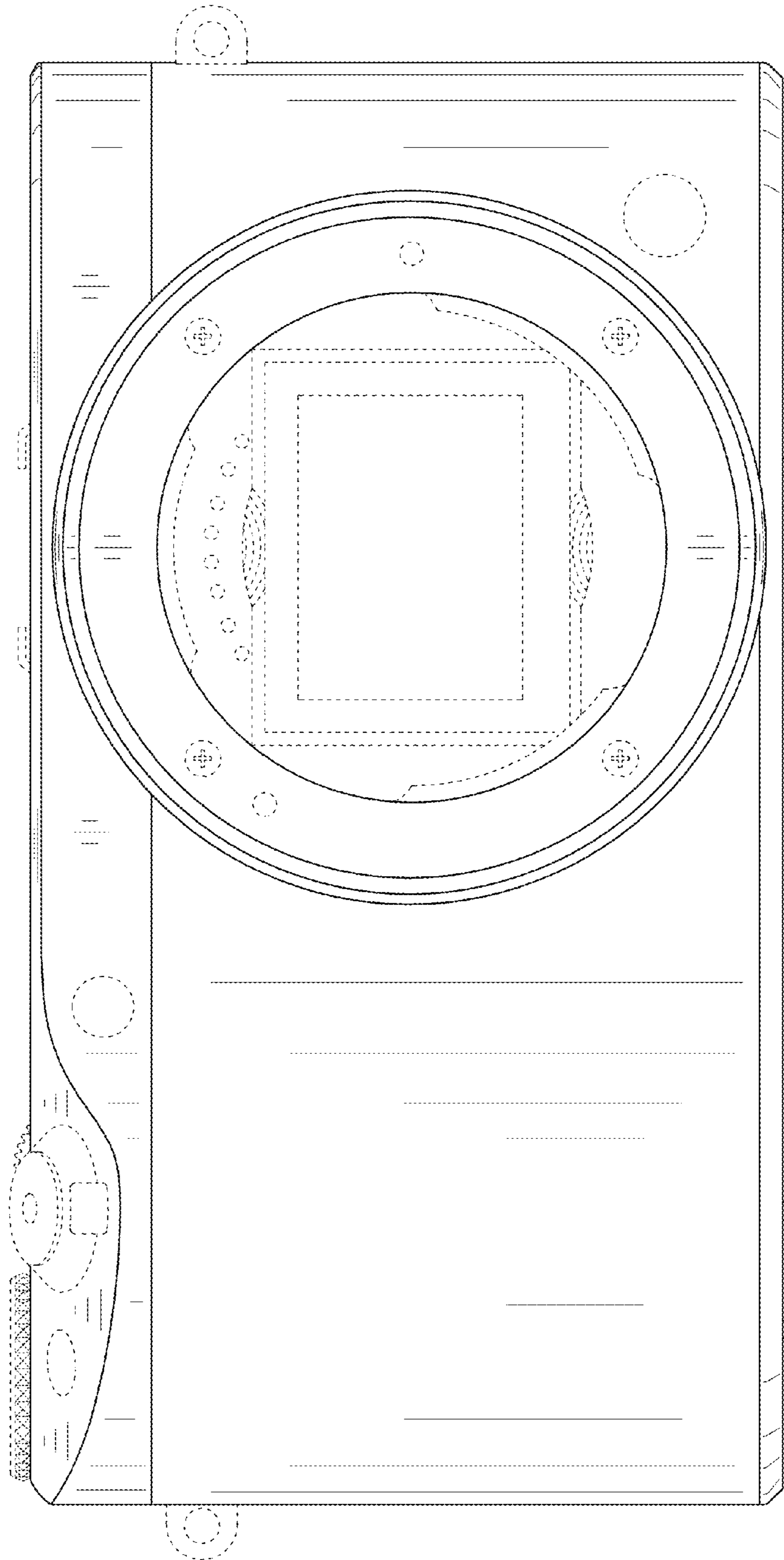


FIG. 3

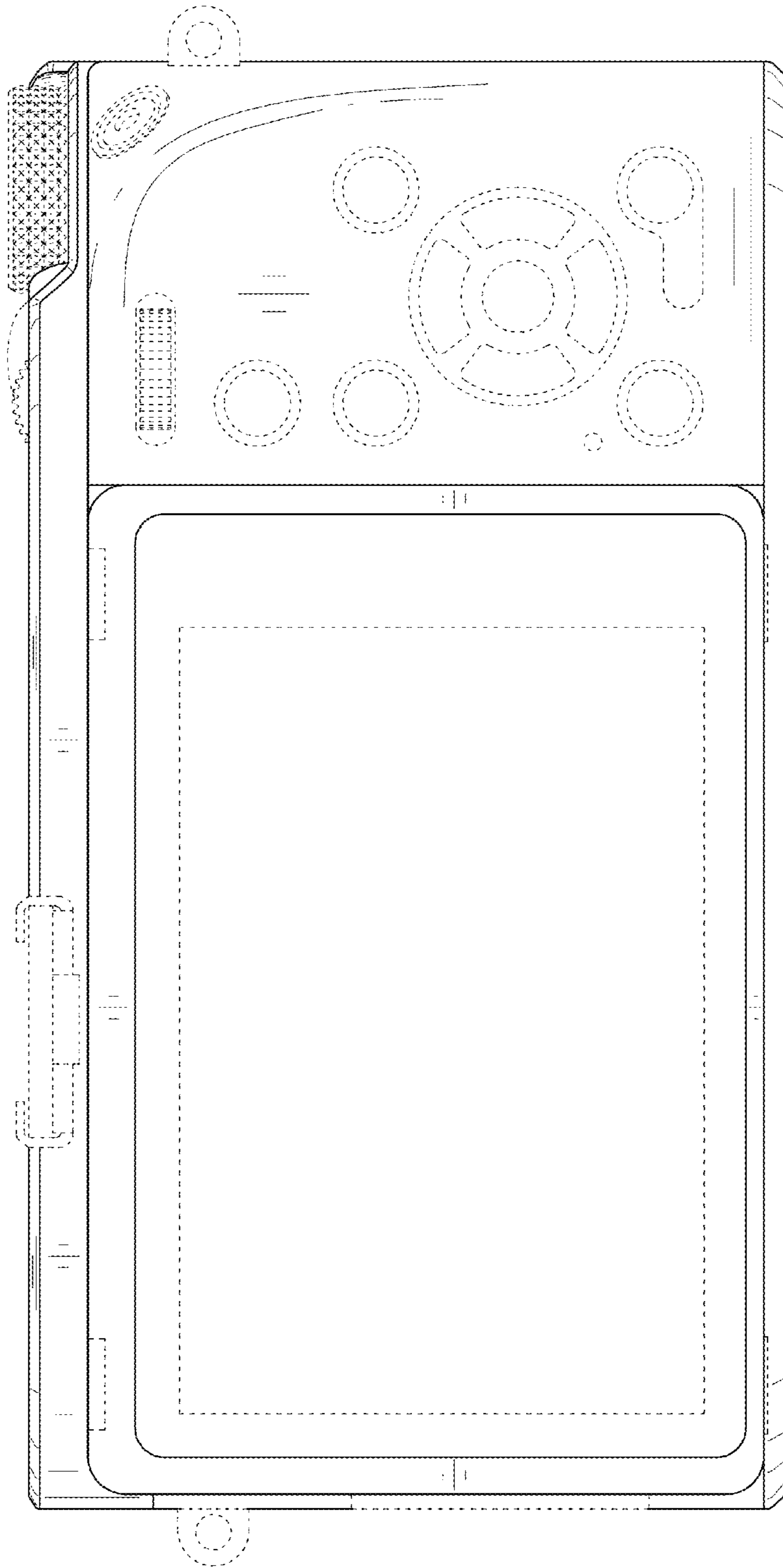


FIG. 4

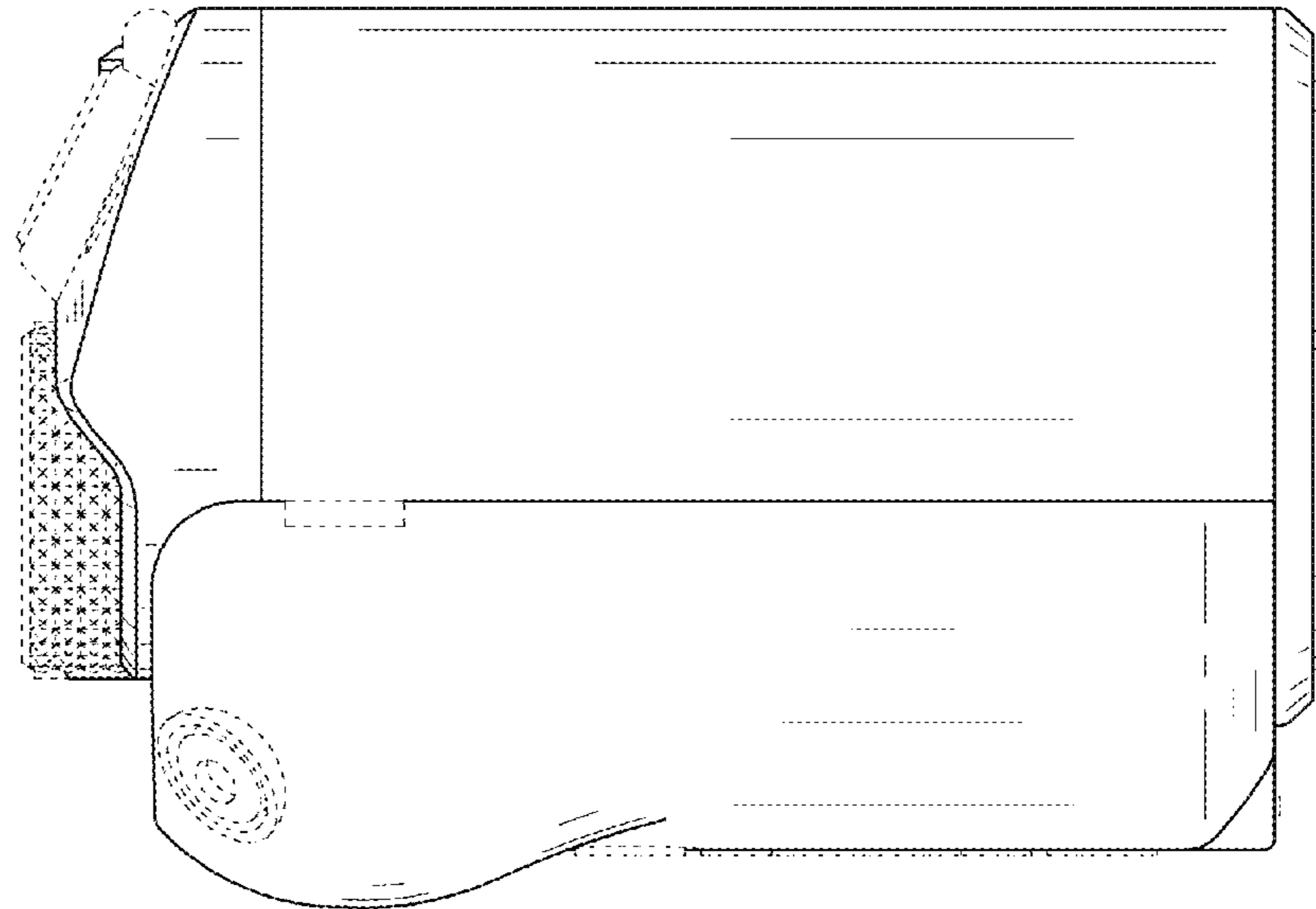


FIG. 5

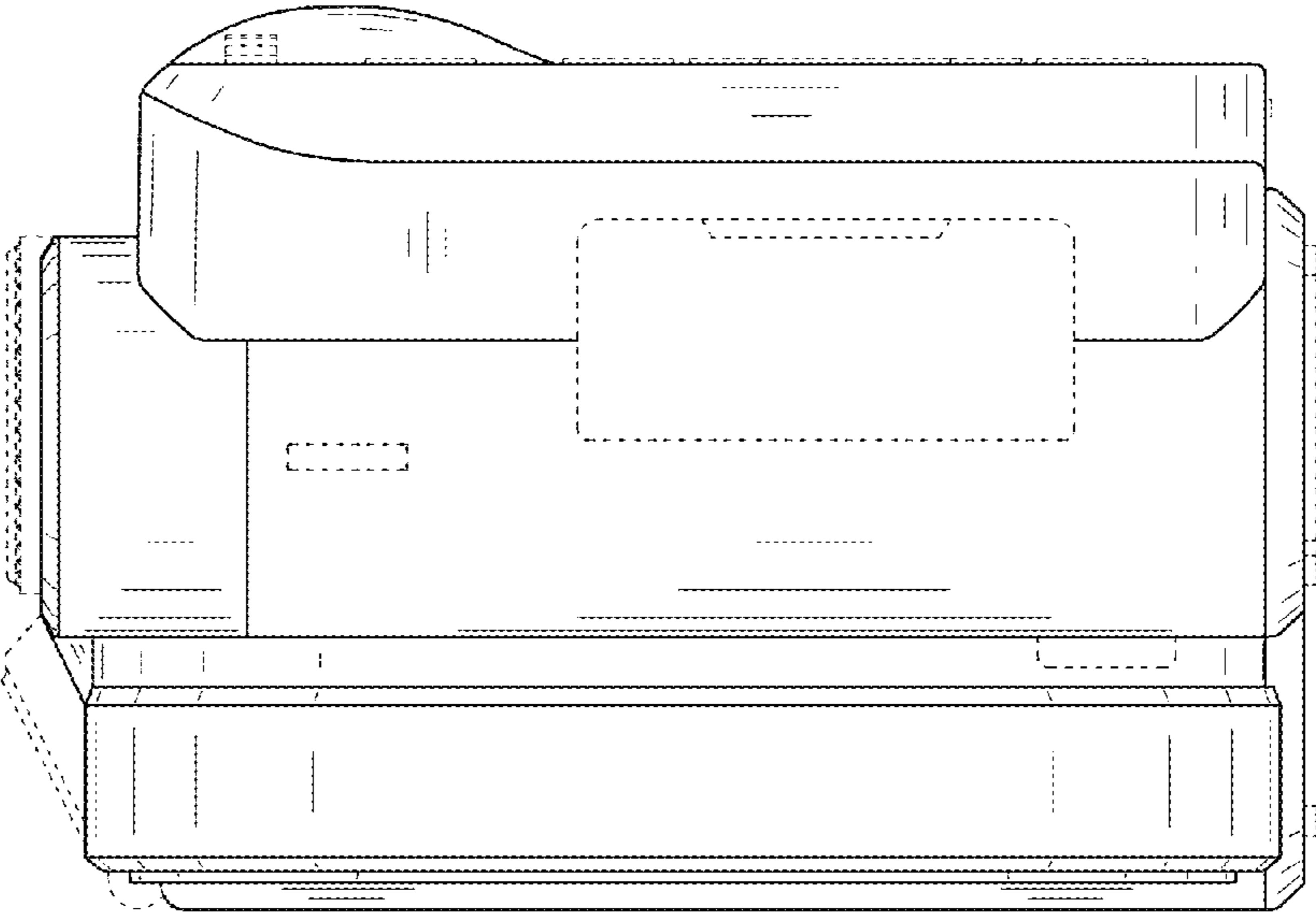


FIG. 6

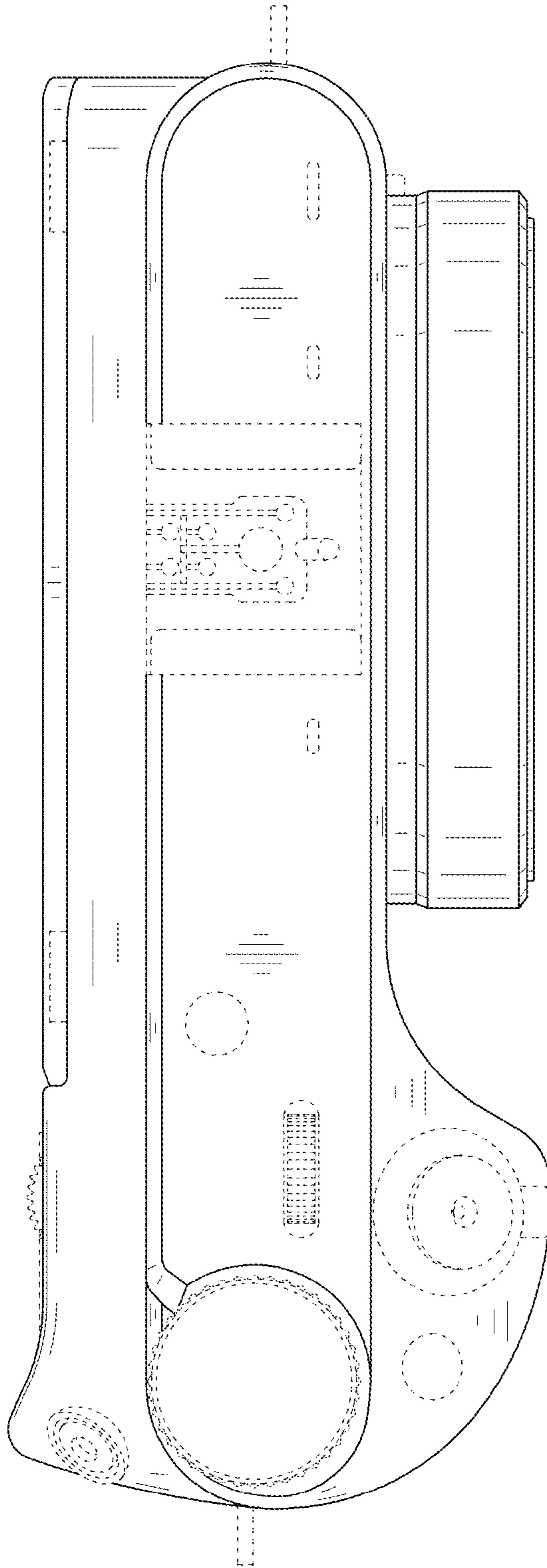


FIG. 7

