



US00D764559S

(12) **United States Design Patent**
Luo et al.

(10) **Patent No.:** **US D764,559 S**
(45) **Date of Patent:** **** Aug. 23, 2016**

(54) **CAMERA**

(71) Applicant: **HangZhou Hikvision Digital Technology Co., Ltd**, Hangzhou (CN)

(72) Inventors: **Chenfu Luo**, Hangzhou (CN); **Haiqing Jiang**, Hangzhou (CN)

(73) Assignee: **HANGZHOU HIKVISION DIGITAL TECHNOLOGY CO., LTD**, Hangzhou (CN)

(**) Term: **15 Years**

(21) Appl. No.: **29/528,191**

(22) Filed: **May 27, 2015**

(30) **Foreign Application Priority Data**

Nov. 27, 2014 (CN) 2014 3 0479483

(51) **LOC (10) Cl.** **16-01**

(52) **U.S. Cl.**
USPC **D16/202**

(58) **Field of Classification Search**
USPC D16/200, 202–206, 208, 218, 219;
348/373–376; 396/535, 539–541
CPC G03B 15/03; G03B 17/02; G03B 17/04;
G03B 17/56; G03B 19/04; H04N 5/2251;
H04N 5/2252; H04N 5/2253; H04N 5/2254;
H04N 2101/00

See application file for complete search history.

(56) **References Cited**

U.S. PATENT DOCUMENTS

D465,504 S * 11/2002 Van Klinken D16/203
D474,221 S * 5/2003 Cheng D16/218

D480,741 S * 10/2003 Berger D16/202
6,718,129 B1 * 4/2004 Cornell G03B 17/02
396/176
D504,904 S * 5/2005 Nagai D16/203
D592,234 S * 5/2009 Kim D16/219
D594,047 S * 6/2009 Lee D16/202
D692,939 S * 11/2013 Huang D16/218
D707,746 S * 6/2014 Sakai D16/218
D709,543 S * 7/2014 Isozaki D16/218
D744,572 S * 12/2015 Tabuchi D16/218
2014/0160349 A1 * 6/2014 Huang H04N 5/2252
348/375

* cited by examiner

Primary Examiner — Philip S Hyder

Assistant Examiner — Ramzi Almatrahi

(74) *Attorney, Agent, or Firm* — Pearl Cohen Zedek Latzer Baratz LLP

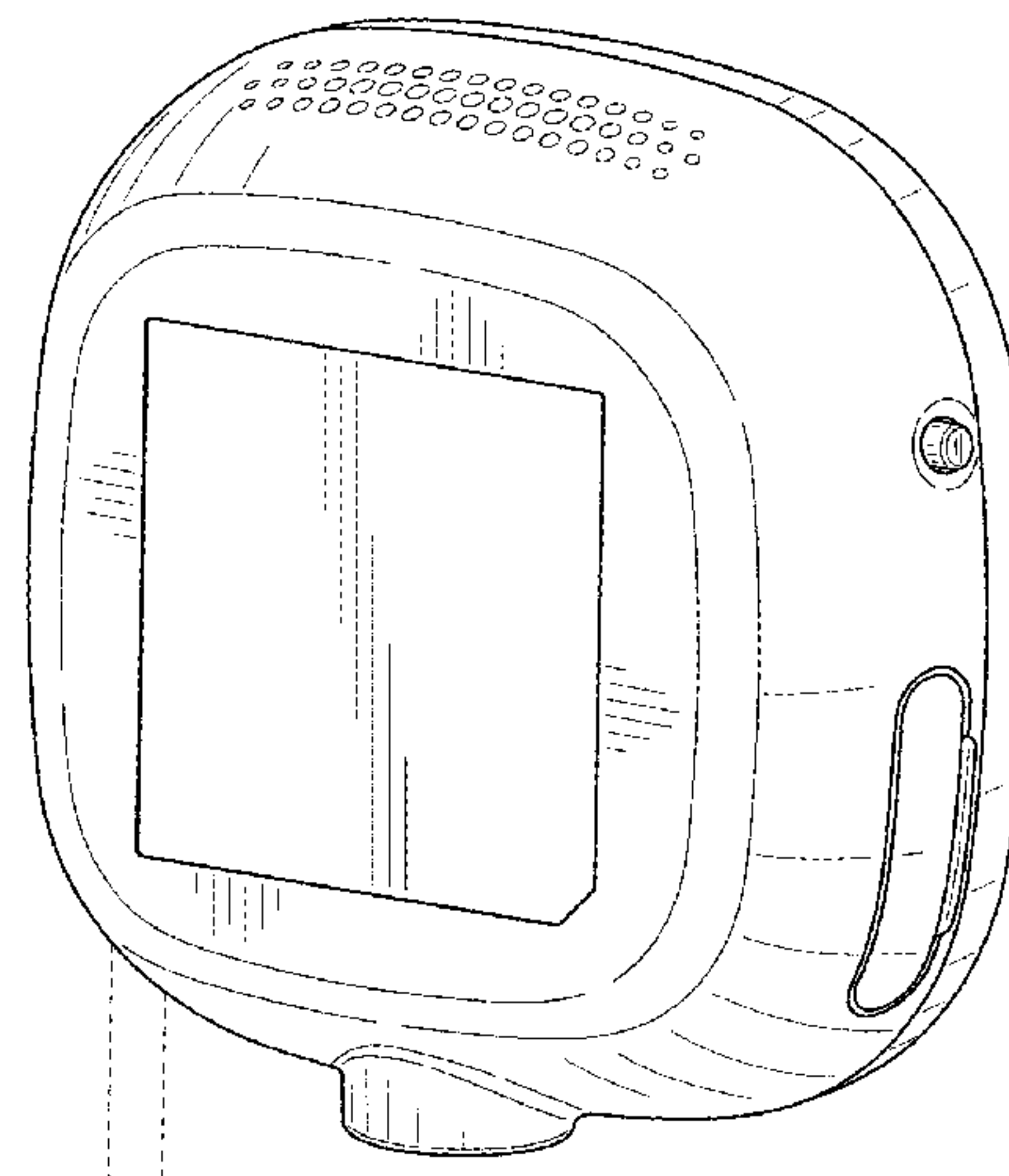
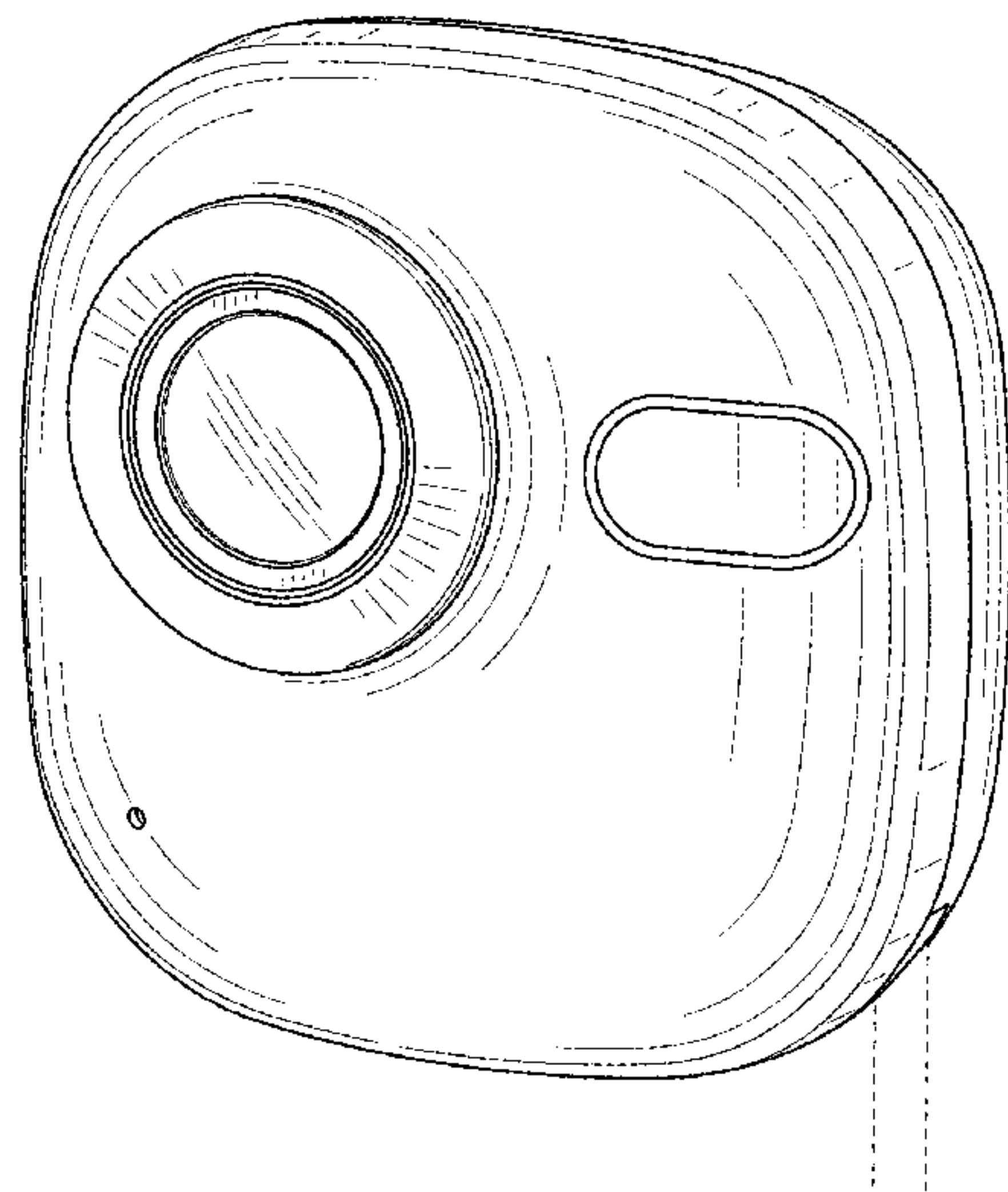
(57) **CLAIM**

The ornamental design for a camera, as shown and described.

DESCRIPTION

FIG. 1 is a front elevational view of a camera showing our new design;
FIG. 2 is a back elevational view thereof;
FIG. 3 is a left side elevational view thereof;
FIG. 4 is a right side elevational view thereof;
FIG. 5 is a top plan view thereof;
FIG. 6 is a bottom plan view thereof;
FIG. 7 is a top, front and right side perspective view thereof;
and,
FIG. 8 is a top, back and left side perspective view thereof.
The broken lines shown in the drawings represent portions of the camera which form no part of the claimed design.

1 Claim, 4 Drawing Sheets



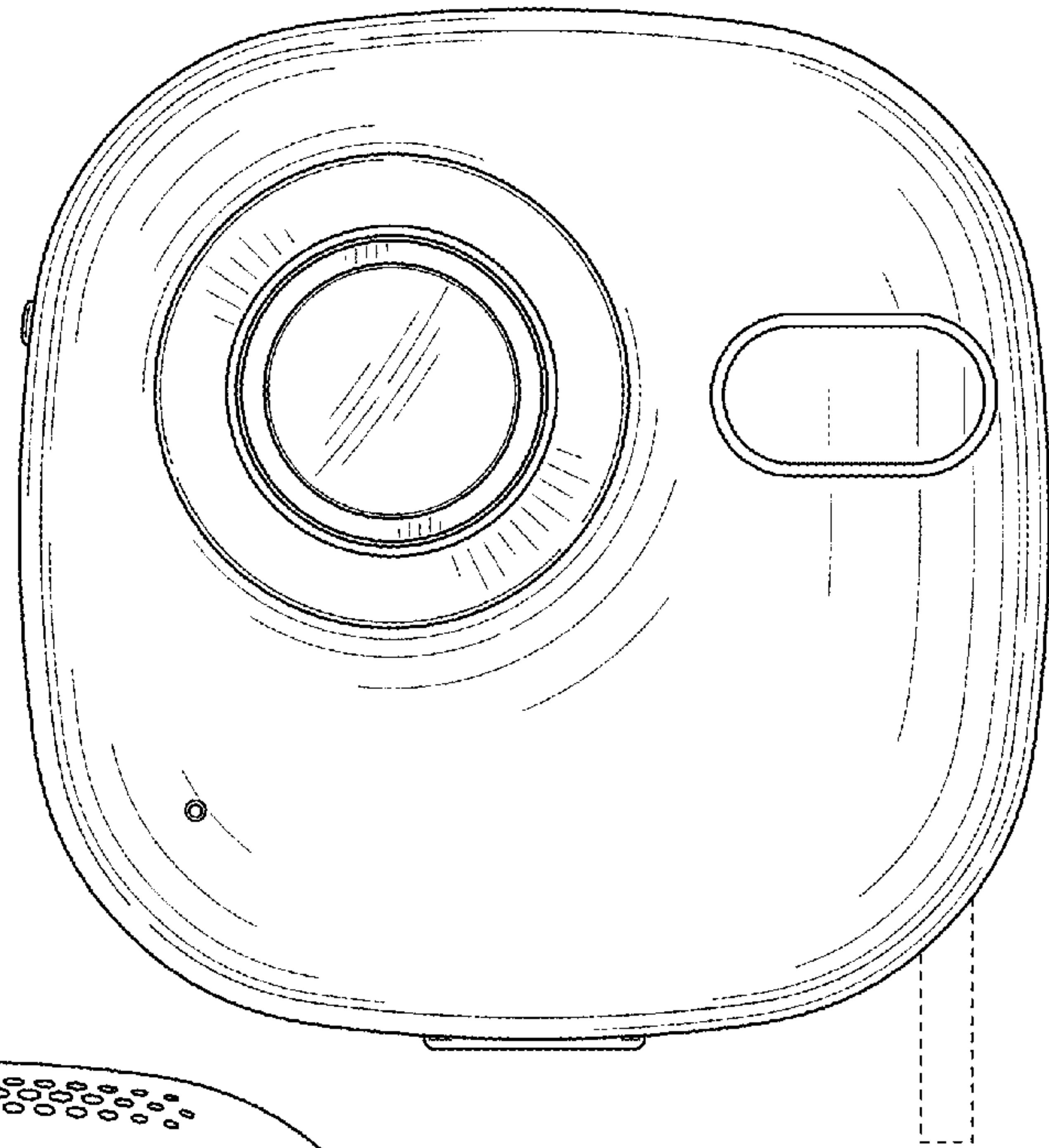


FIG. 1

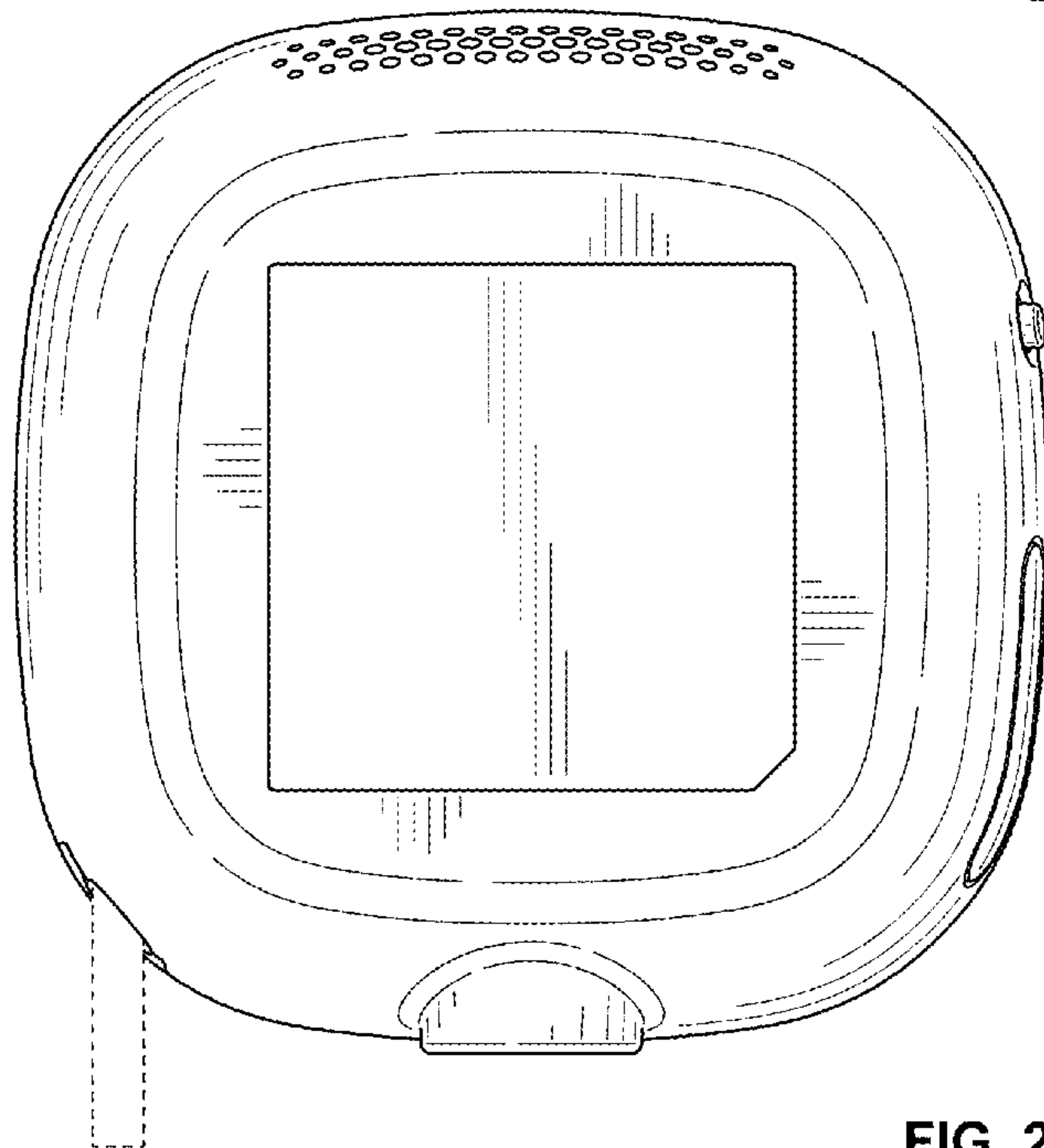


FIG. 2

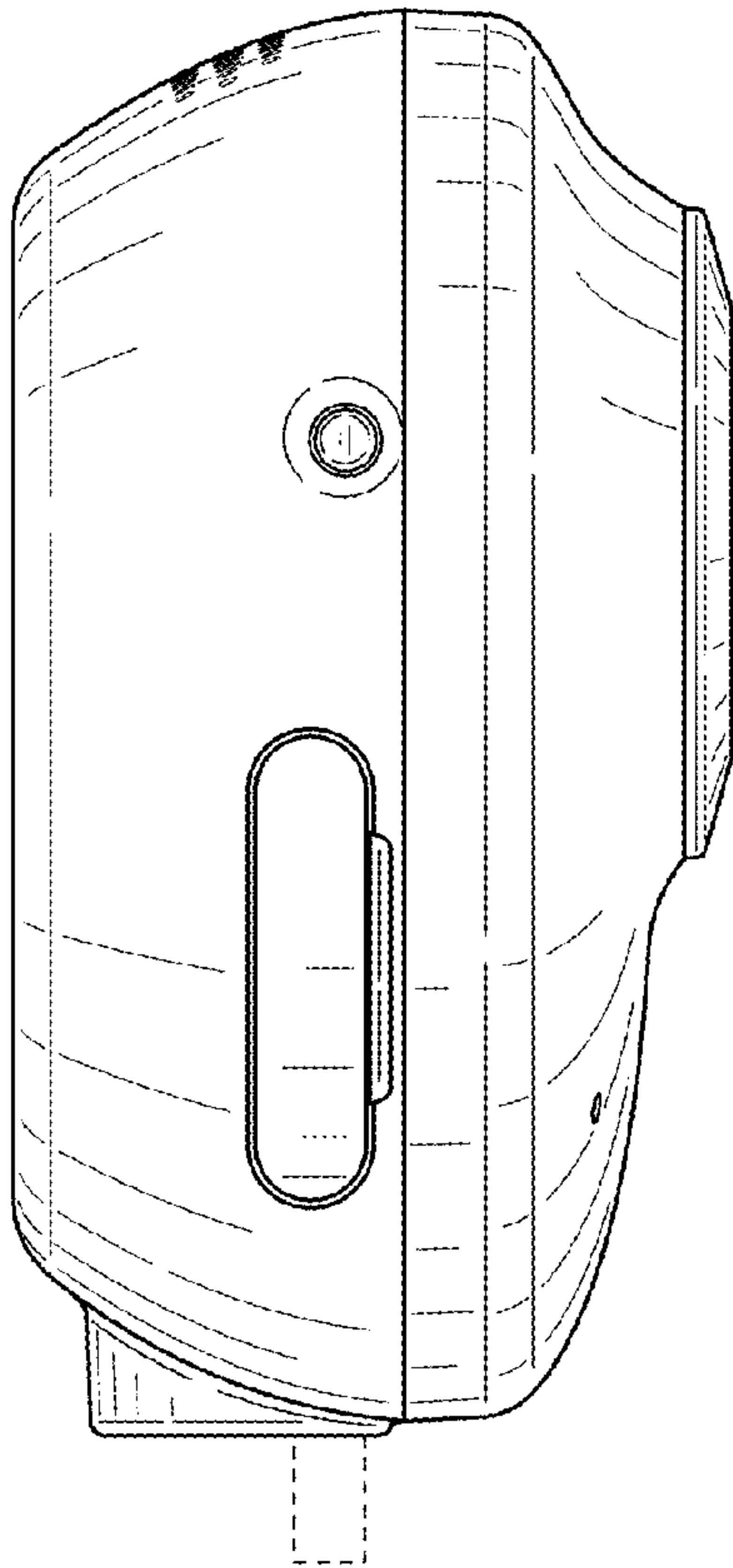


FIG. 3

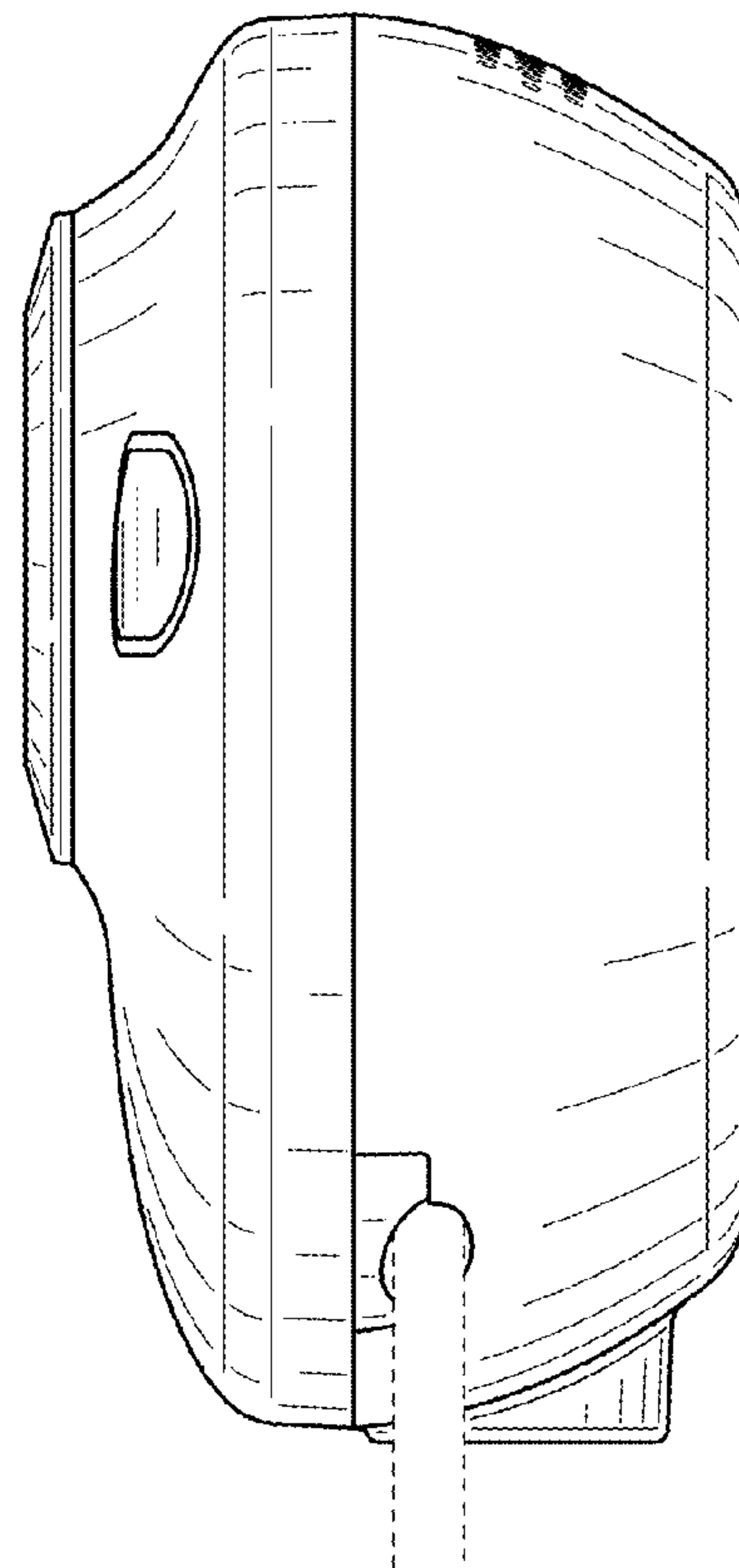


FIG. 4

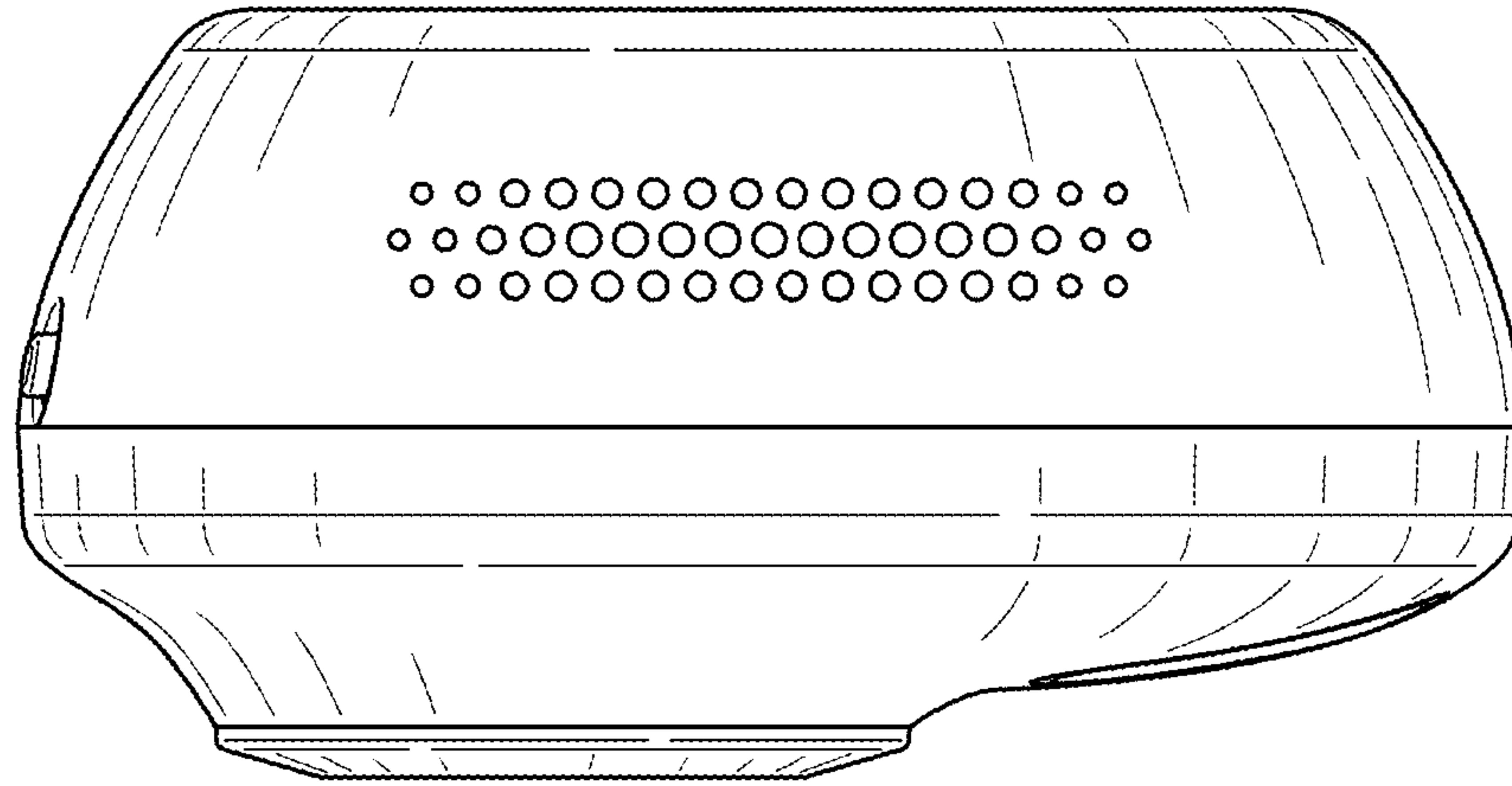


FIG. 5

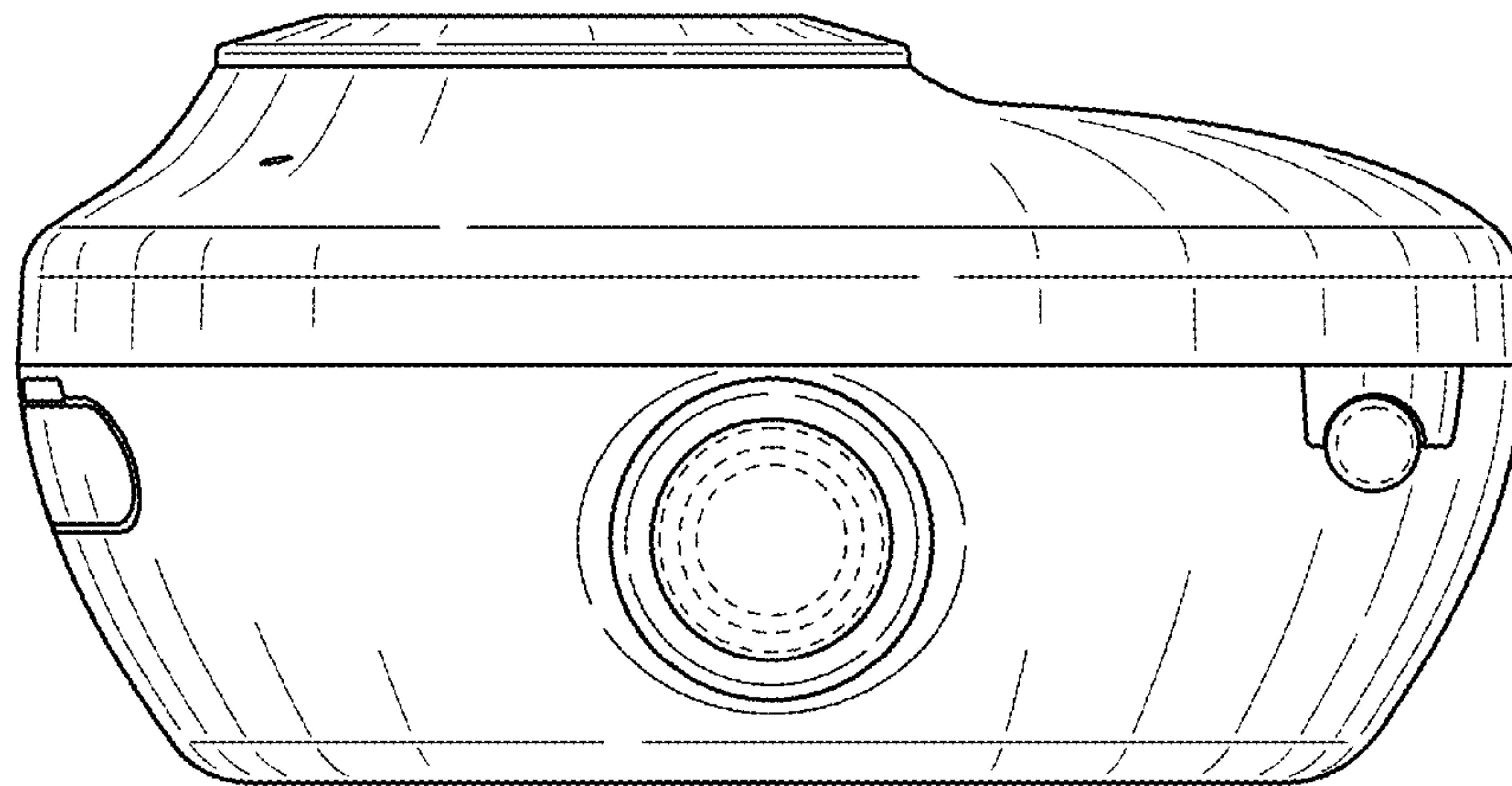


FIG. 6

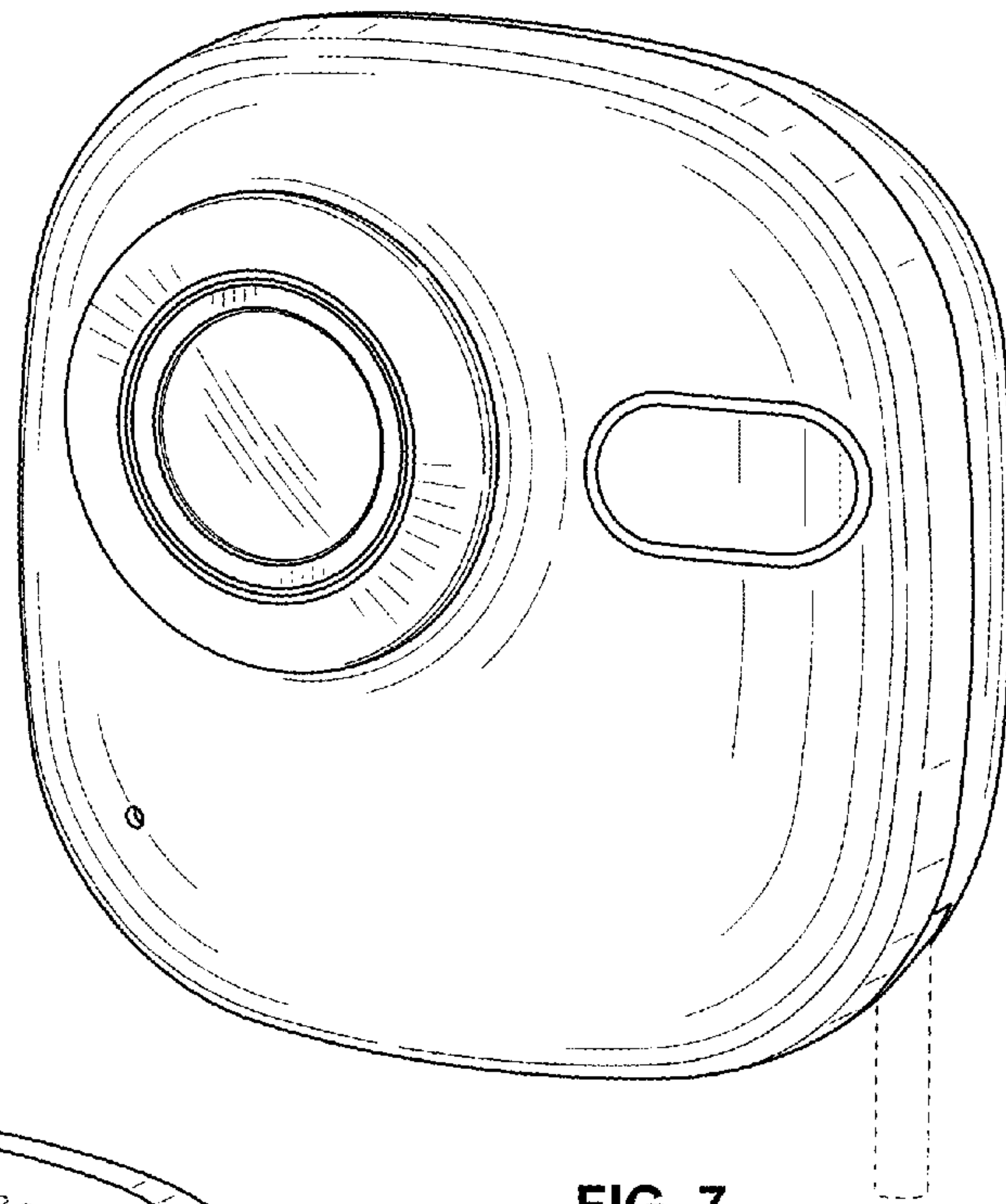


FIG. 7

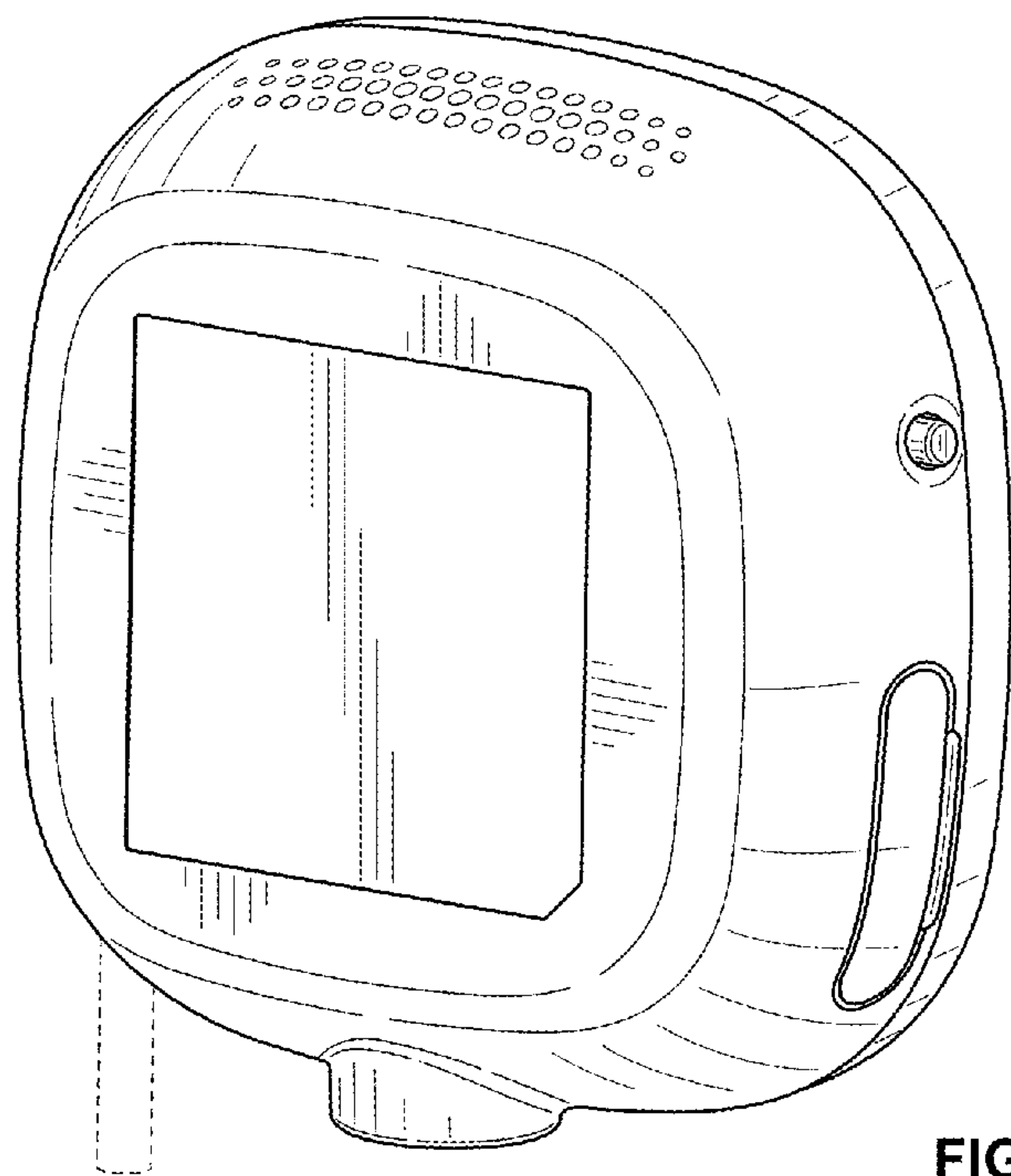


FIG. 8