



US00D764558S

(12) **United States Design Patent**
Bressanuti et al.

(10) **Patent No.:** **US D764,558 S**
(45) **Date of Patent:** **** Aug. 23, 2016**

(54) **OPTICAL BLOCK**
(71) Applicant: **Honeywell International Inc.,**
Morristown, NJ (US)
(72) Inventors: **Massimo Bressanuti**, Sesto al Reghena
(IT); **Mauro Miheli**, Trieste (IT);
Andrea Chiatti, Trieste (IT)

D547,685 S * 7/2007 Yorinaga D10/106.1
7,268,882 B2 * 9/2007 Fischer G01N 21/0303
250/343
7,697,140 B2 4/2010 Iguchi et al.
7,948,627 B2 5/2011 Iguchi et al.
8,743,366 B2 6/2014 Numao et al.
2012/0262714 A1 10/2012 Gonzales

(Continued)

(73) Assignee: **LIFE SAFETY DISTRIBUTION AG,**
Hegnau (CH)

FOREIGN PATENT DOCUMENTS

CN 103597525 A 2/2014
JP 2013-54455 3/2013

(Continued)

(**) Term: **14 Years**

OTHER PUBLICATIONS

(21) Appl. No.: **29/495,067**

English-language translation of patent publication CN 103597525 A,
publication date Feb. 19, 2014, patentee Fenwal Controls of Japan,
Ltd.

(Continued)

(22) Filed: **Jun. 26, 2014**

(51) **LOC (10) Cl.** **10-05**

(52) **U.S. Cl.** **D16/130; D10/106.1**

(58) **Field of Classification Search**
USPC D10/52, 53, 60, 106.1, 106.2, 106.5,
D10/116.1, 121; D16/130; 250/206, 396 R,
250/397, 398, 573; 340/693.6; 348/345,
348/373; 356/338, 348
CPC G03B 43/00; G03B 17/12; G08B 29/183
See application file for complete search history.

Primary Examiner — Susan Bennett Hattan
Assistant Examiner — Leanne Was
(74) *Attorney, Agent, or Firm* — Husch Blackwell LLP

(57) **CLAIM**
The ornamental design for an optical block, as shown and
described.

(56) **References Cited**

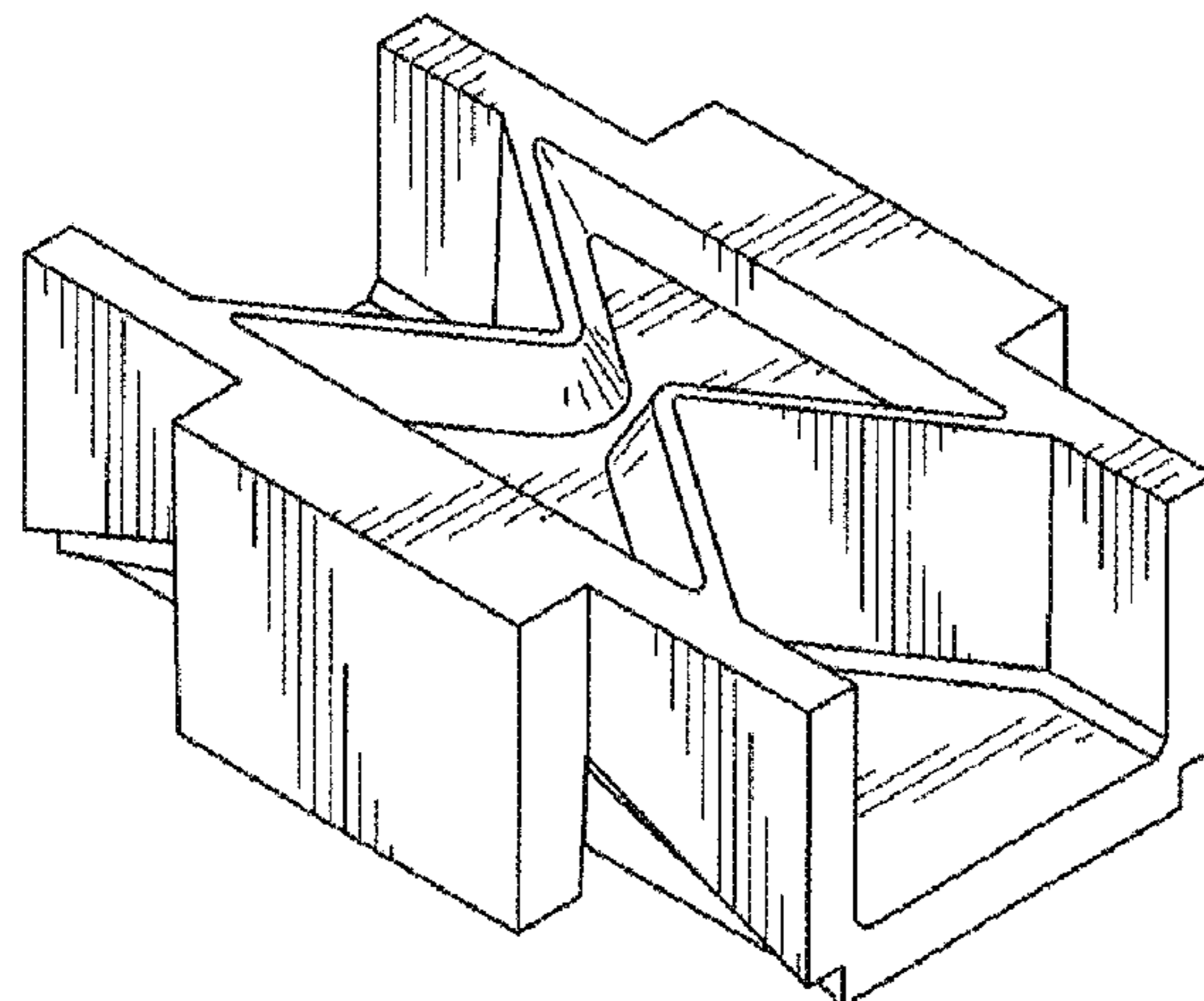
DESCRIPTION

U.S. PATENT DOCUMENTS

5,587,790 A * 12/1996 Nagashima G08B 17/107
250/574
D422,520 S * 4/2000 Zabawski D10/106.1
D425,809 S * 5/2000 Zabawski D10/106.1
D426,167 S * 6/2000 Zabawski D10/106.1
D428,820 S * 8/2000 Zabawski D10/106.1
6,521,907 B1 2/2003 Shoaff et al.
D541,687 S * 5/2007 Yorinaga D10/106.1
D541,688 S * 5/2007 Yorinaga D10/106.1
D543,885 S * 6/2007 Yorinaga D10/106.1

FIG. 1 is a perspective view of an optical block.
FIG. 2 is a left side elevational view of the optical block.
FIG. 3 is a right side elevational view of the optical block.
FIG. 4 is a top plan view of the optical block; and,
FIG. 5 is a front end elevational view of the optical block, the
opposite end being a mirror image thereof.
The bottom of the optical block forms no part of the claimed
design.

1 Claim, 1 Drawing Sheet



(56)

References Cited

OTHER PUBLICATIONS

U.S. PATENT DOCUMENTS

2013/0119281 A1* 5/2013 Lang G08B 29/183
250/564
2015/0146204 A1* 5/2015 Shibuya G08B 17/107
356/338

FOREIGN PATENT DOCUMENTS

JP 2013-168182 8/2013
WO WO 2013/030918 A1 3/2013

English-language translation of patent publication JP 2013-54455,
publication date Mar. 21, 2013, patentee New Cosmos Electric Corp.

English-language translation of patent publication JP 2013-168182,
publication date Aug. 29, 2013, patentee Nohmi Bosai Ltd.

* cited by examiner

Fig. 1

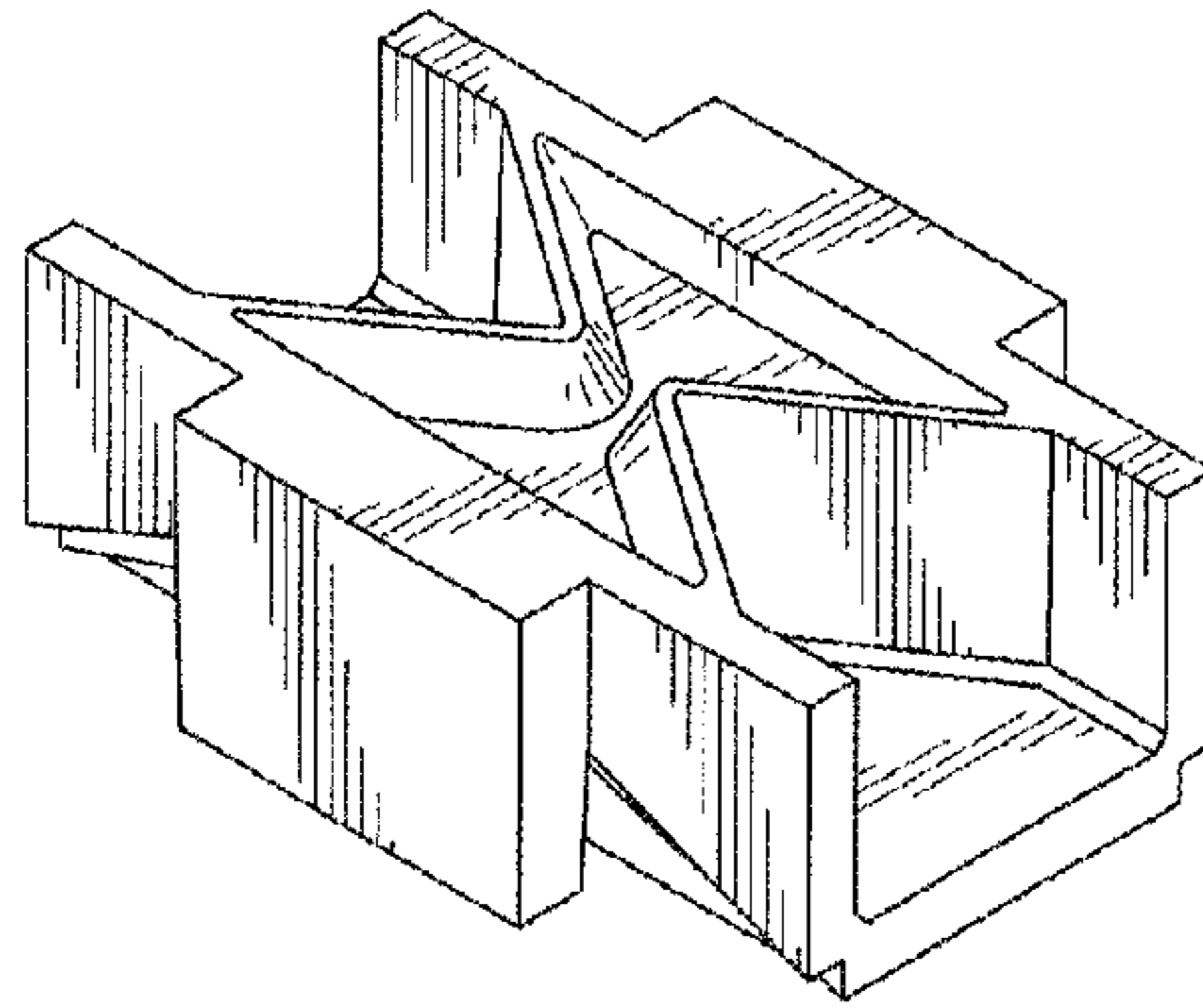


Fig. 2

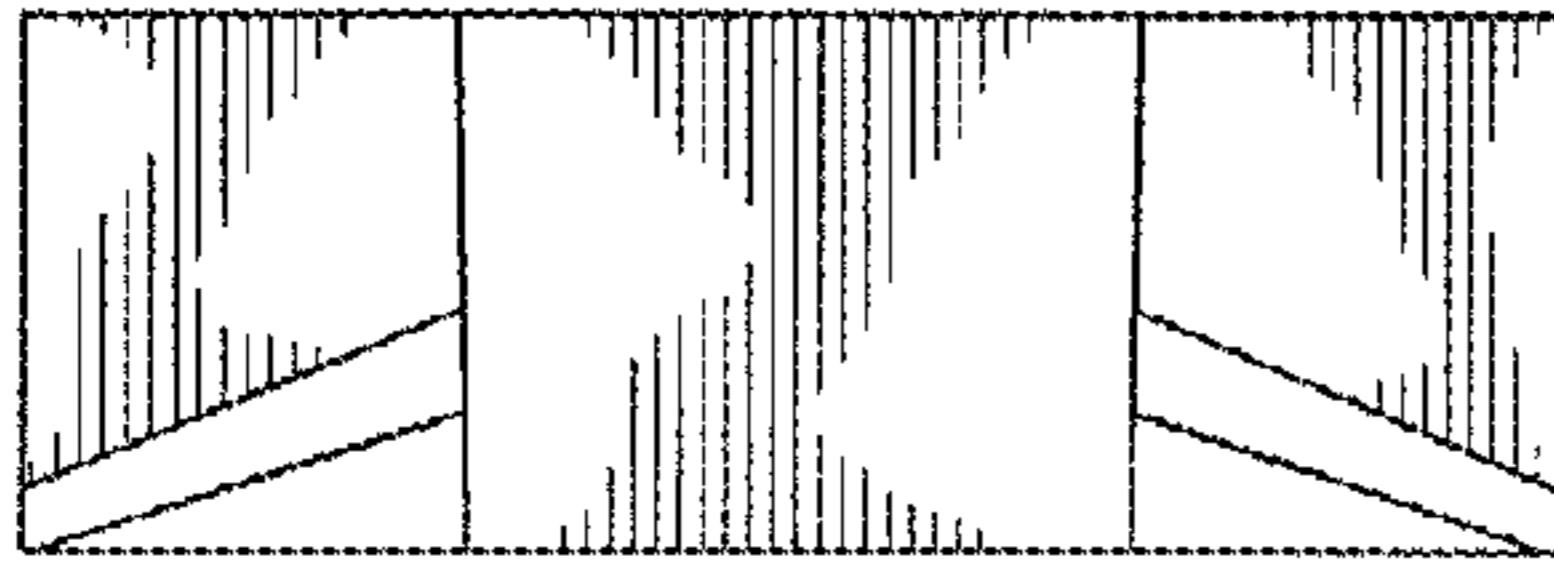


Fig. 3

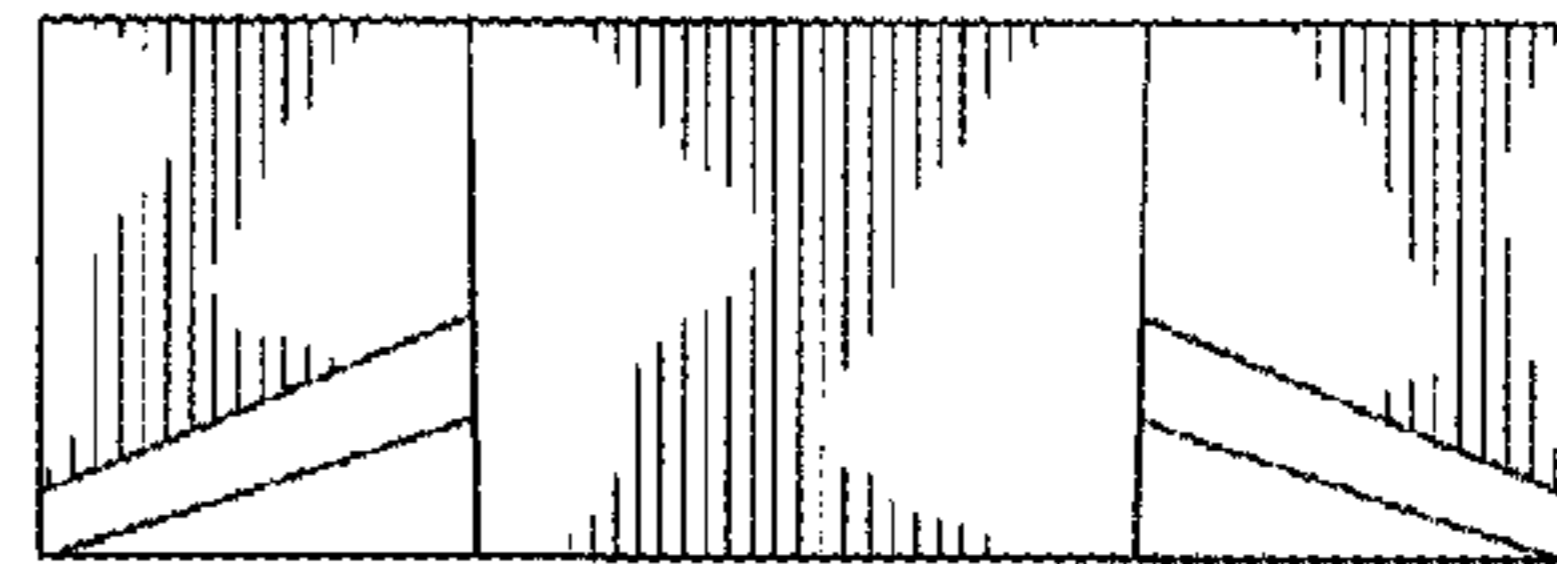


Fig. 4

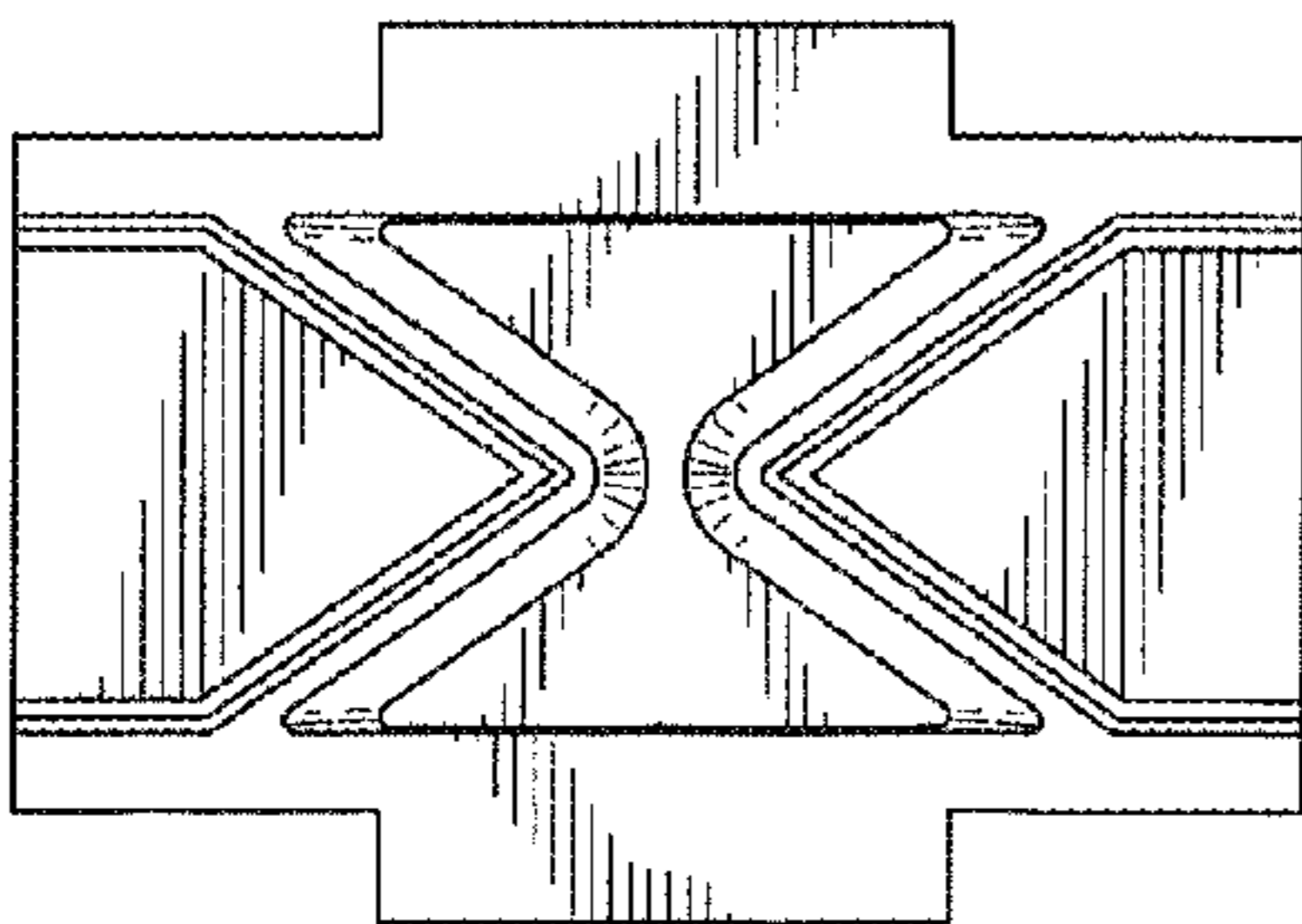


Fig. 5

