



US00D764557S

(12) **United States Design Patent**  
**Yamada**

(10) **Patent No.:** **US D764,557 S**

(45) **Date of Patent:** **\*\* Aug. 23, 2016**

(54) **INDUSTRIAL ROBOT**

(71) Applicant: **Takaya Yamada**, Osaka (JP)

(72) Inventor: **Takaya Yamada**, Osaka (JP)

(73) Assignee: **Daihen Corporation**, Osaka (JP)

(\*\*) Term: **15 Years**

(21) Appl. No.: **29/533,784**

(22) Filed: **Jul. 22, 2015**

(30) **Foreign Application Priority Data**

Jan. 30, 2015 (JP) ..... 2015-001759

(51) **LOC (10) Cl.** ..... **15-99**

(52) **U.S. Cl.**  
USPC ..... **D15/199**

(58) **Field of Classification Search**  
USPC ..... D15/122, 199; D21/578-583, 621, 622  
See application file for complete search history.

(56) **References Cited**

**U.S. PATENT DOCUMENTS**

- 5,151,007 A \* 9/1992 Maruo ..... B25J 9/042  
212/197
- D433,042 S \* 10/2000 Kawahara ..... D15/199
- 7,837,425 B2 \* 11/2010 Saeki ..... B25J 9/042  
414/744.5
- 8,016,542 B2 \* 9/2011 Cox ..... H01L 21/67742  
414/744.5
- 8,297,907 B2 \* 10/2012 Yazawa ..... H01L 21/67742  
414/744.5
- 8,366,375 B2 \* 2/2013 Musha ..... B25J 9/1065  
414/744.5

- 8,376,685 B2 \* 2/2013 Pietrantonio ..... B25J 9/042  
414/744.5
- D678,377 S \* 3/2013 Umeno ..... D15/199
- 8,668,428 B2 \* 3/2014 Hino ..... B25J 9/042  
414/744.5
- 8,784,033 B2 \* 7/2014 Kremerman ..... B25J 9/042  
414/744.5
- D711,447 S \* 8/2014 Kasahara ..... D15/199
- D712,448 S \* 9/2014 Kasahara ..... D15/199
- D749,159 S \* 2/2016 Liu ..... D15/199
- 9,254,566 B2 \* 2/2016 Hashimoto ..... B25J 9/042

\* cited by examiner

*Primary Examiner* — Patricia Palasik

(74) *Attorney, Agent, or Firm* — Kilpatrick Townsend & Stockton LLP

(57) **CLAIM**

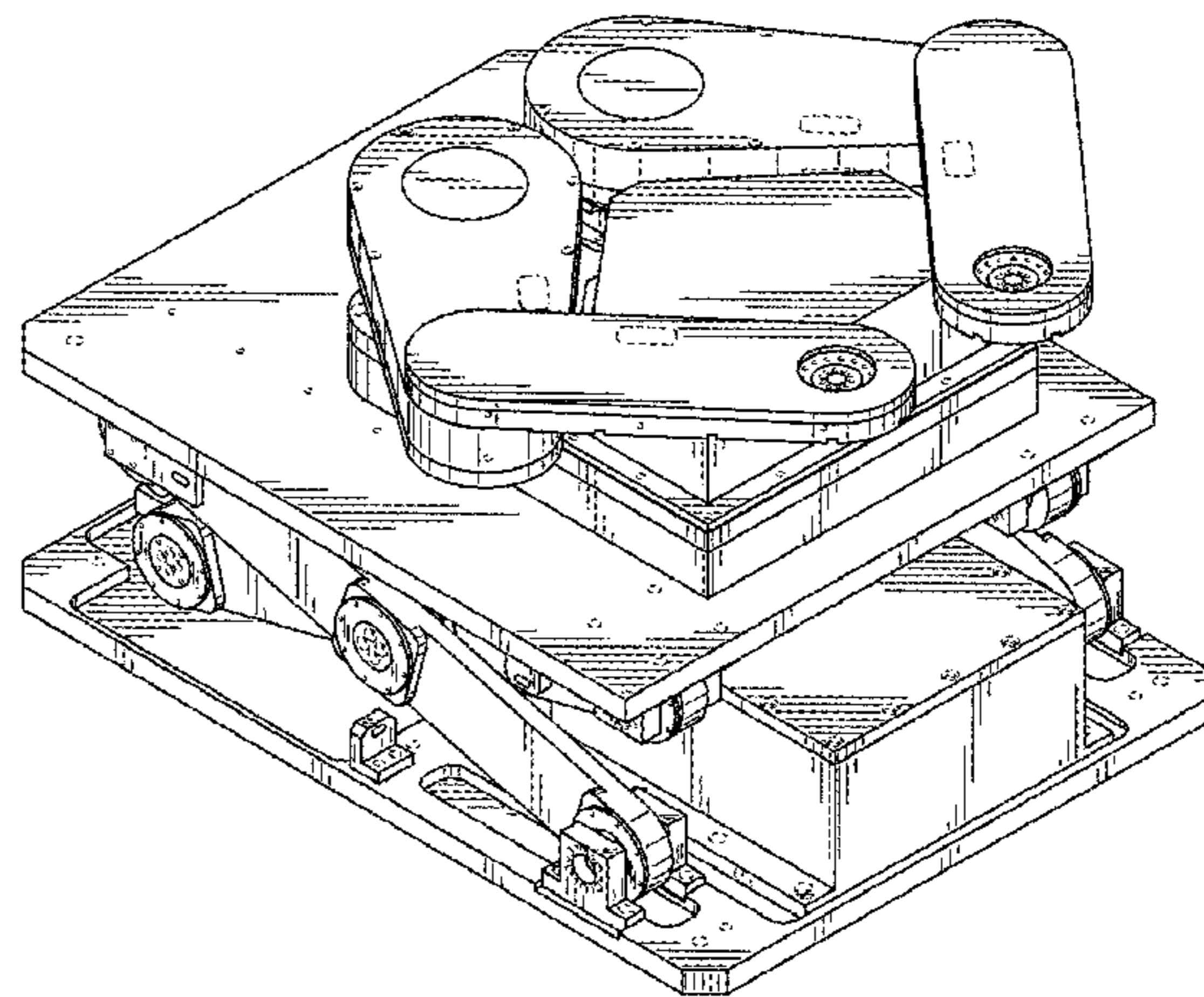
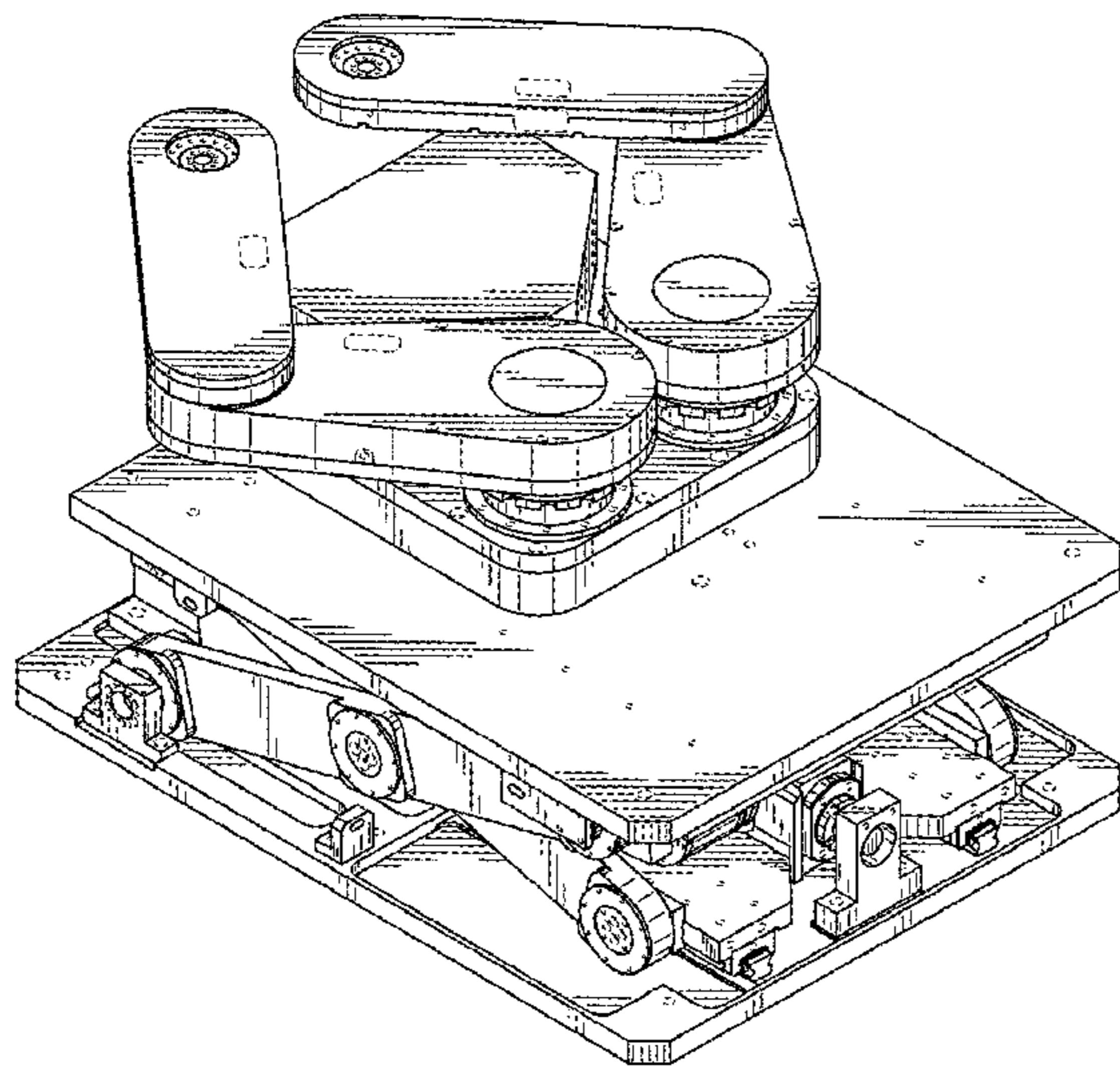
The ornamental design for an industrial robot, as shown and described.

**DESCRIPTION**

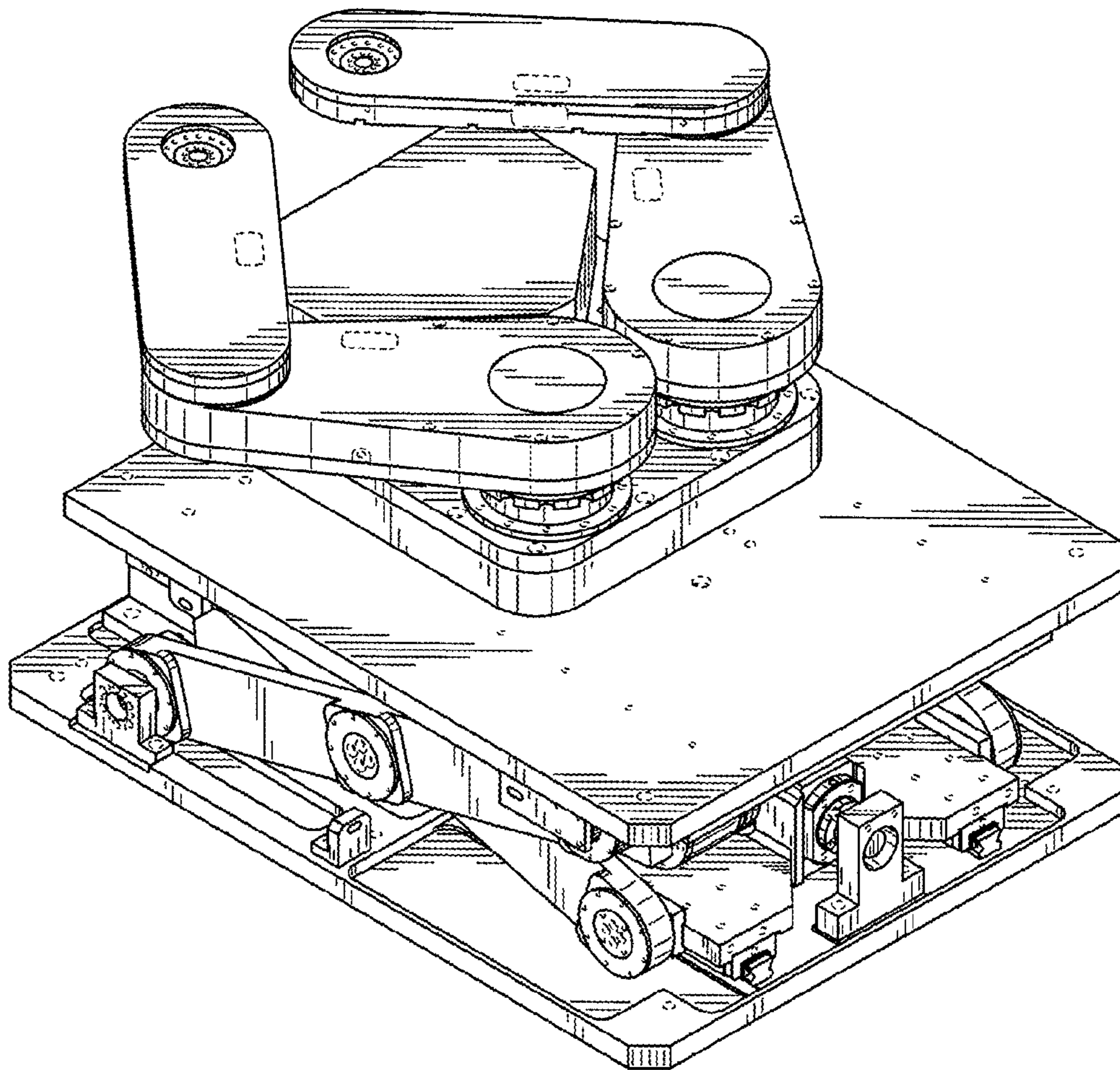
FIG. 1 is a front, top, and right side perspective view of an industrial robot showing my new design;  
 FIG. 2 is a rear, top, and left side perspective view thereof;  
 FIG. 3 is a front view thereof;  
 FIG. 4 is a rear view thereof;  
 FIG. 5 is a top plan view thereof;  
 FIG. 6 is a bottom plan view thereof;  
 FIG. 7 is a right side view thereof; and,  
 FIG. 8 is a left side view thereof.

The features shown in broken lines in the drawings depict environmental subject matter only and form no part of the claimed design.

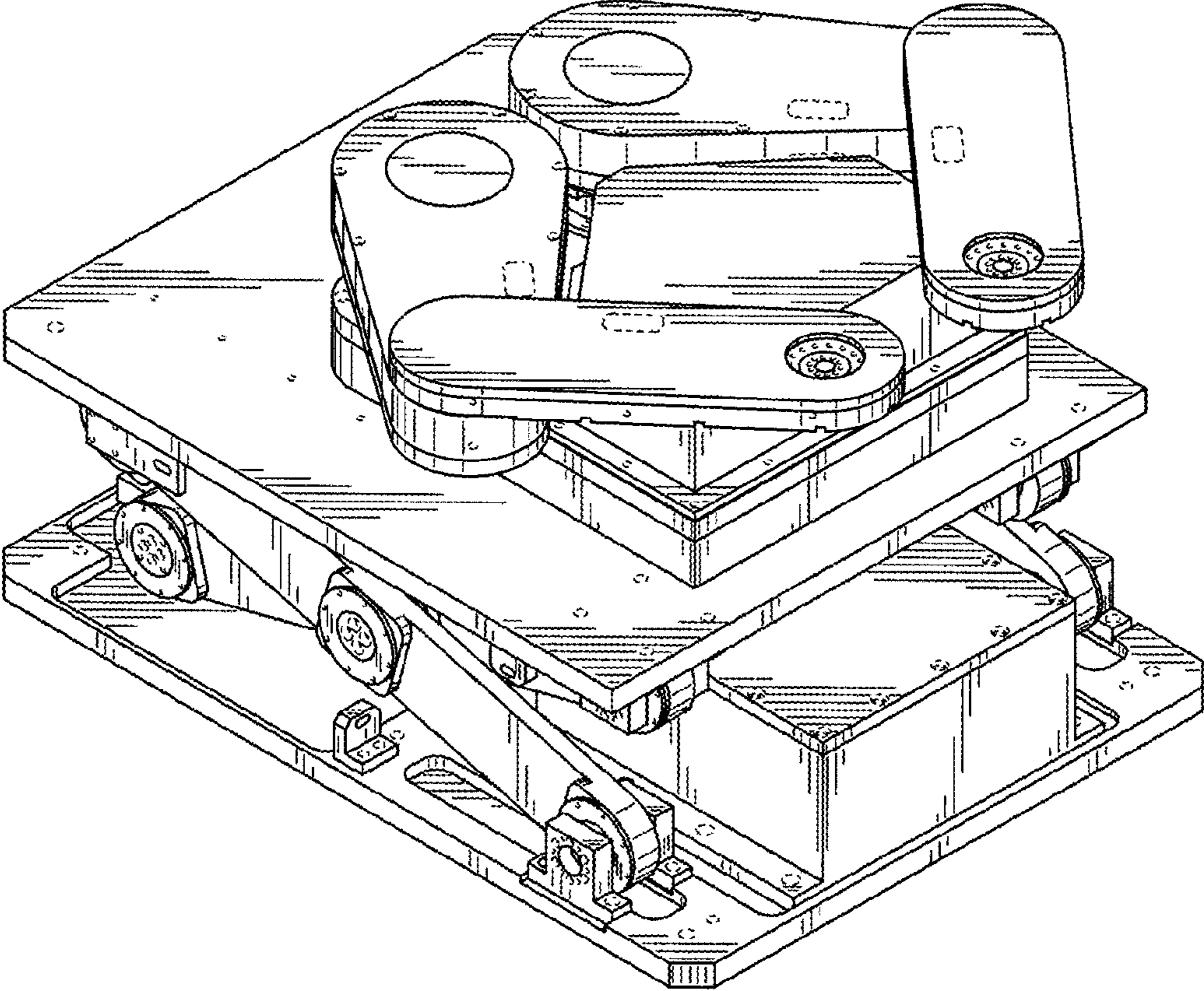
**1 Claim, 8 Drawing Sheets**



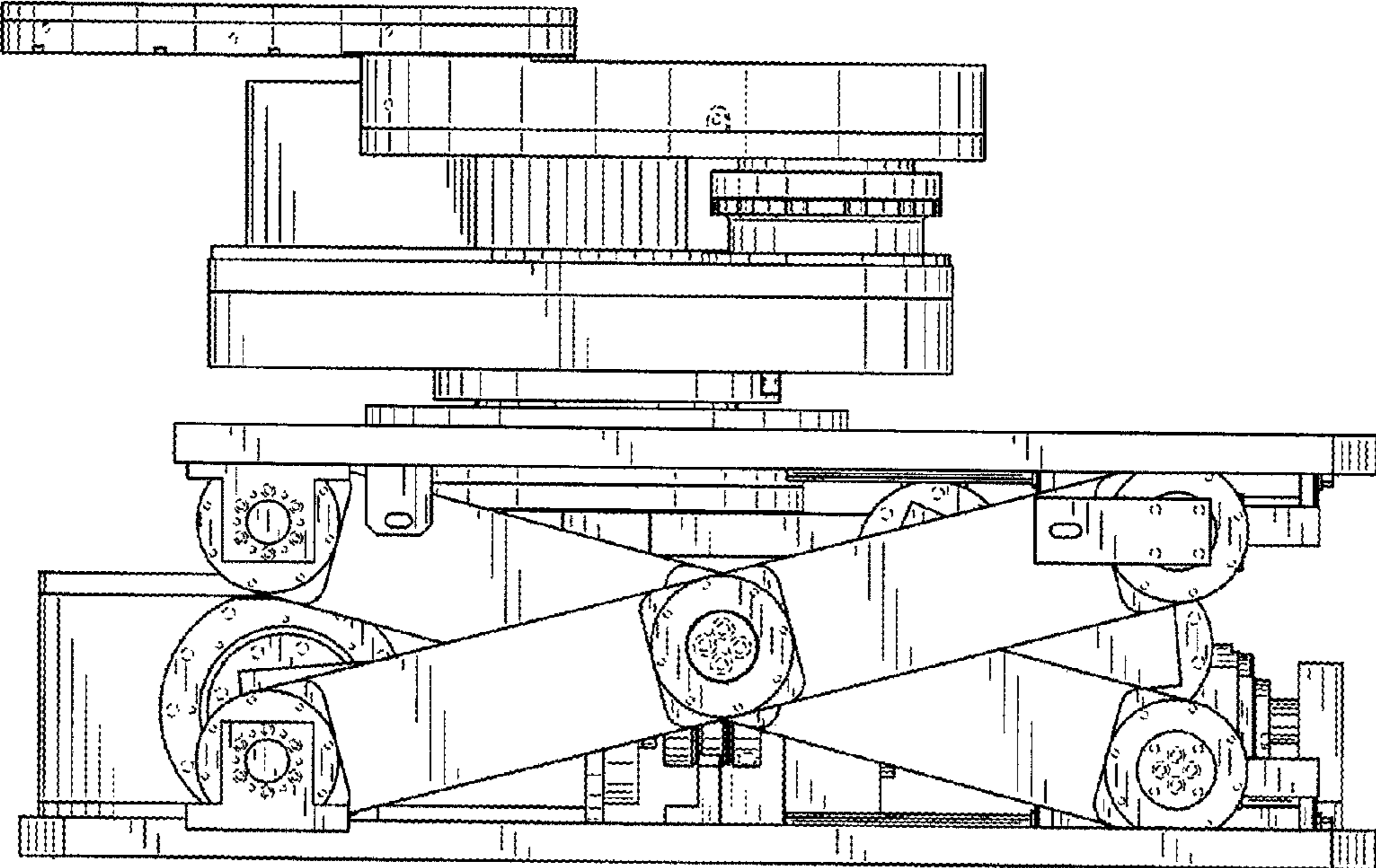
**FIG. 1**



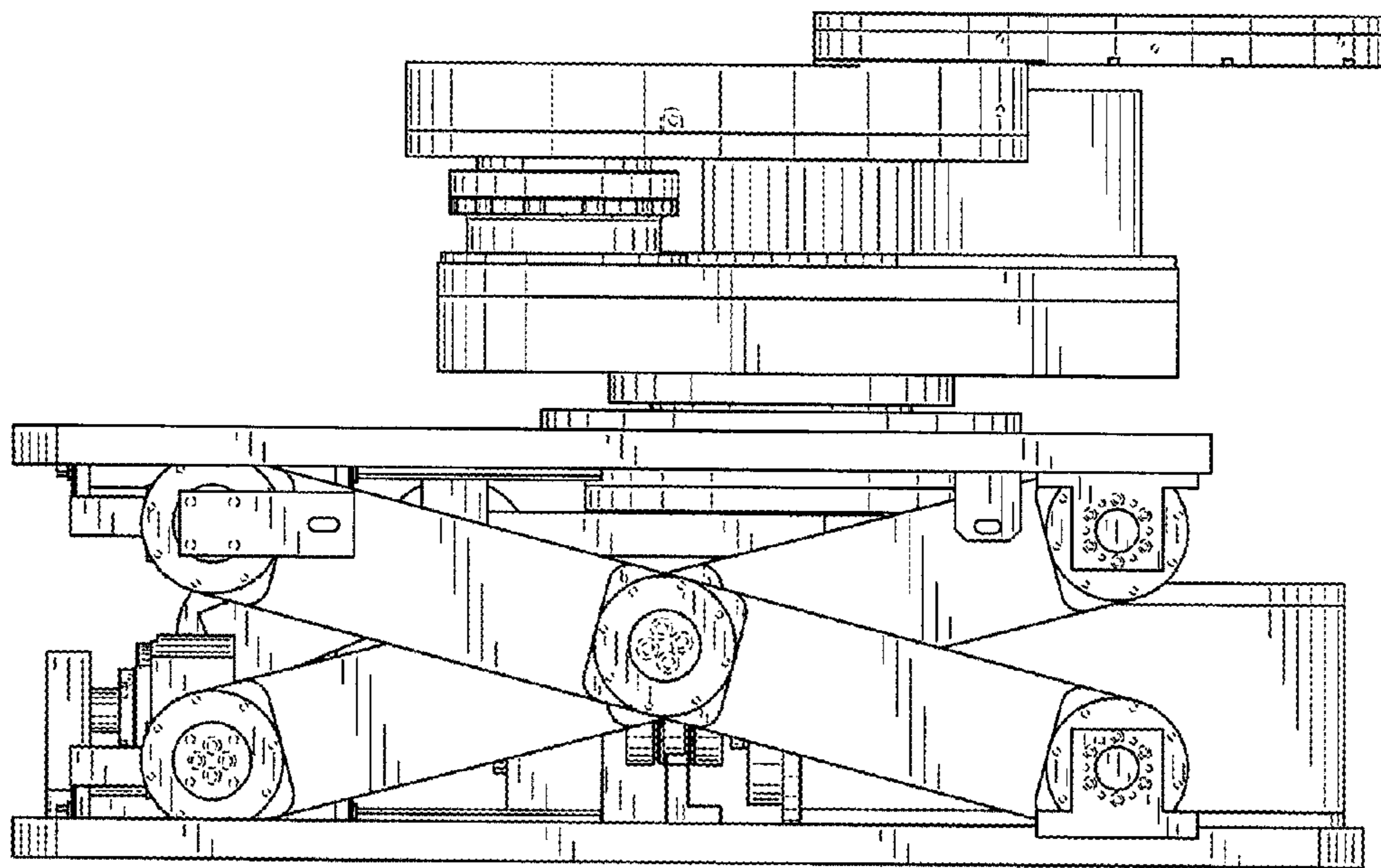
**FIG. 2**



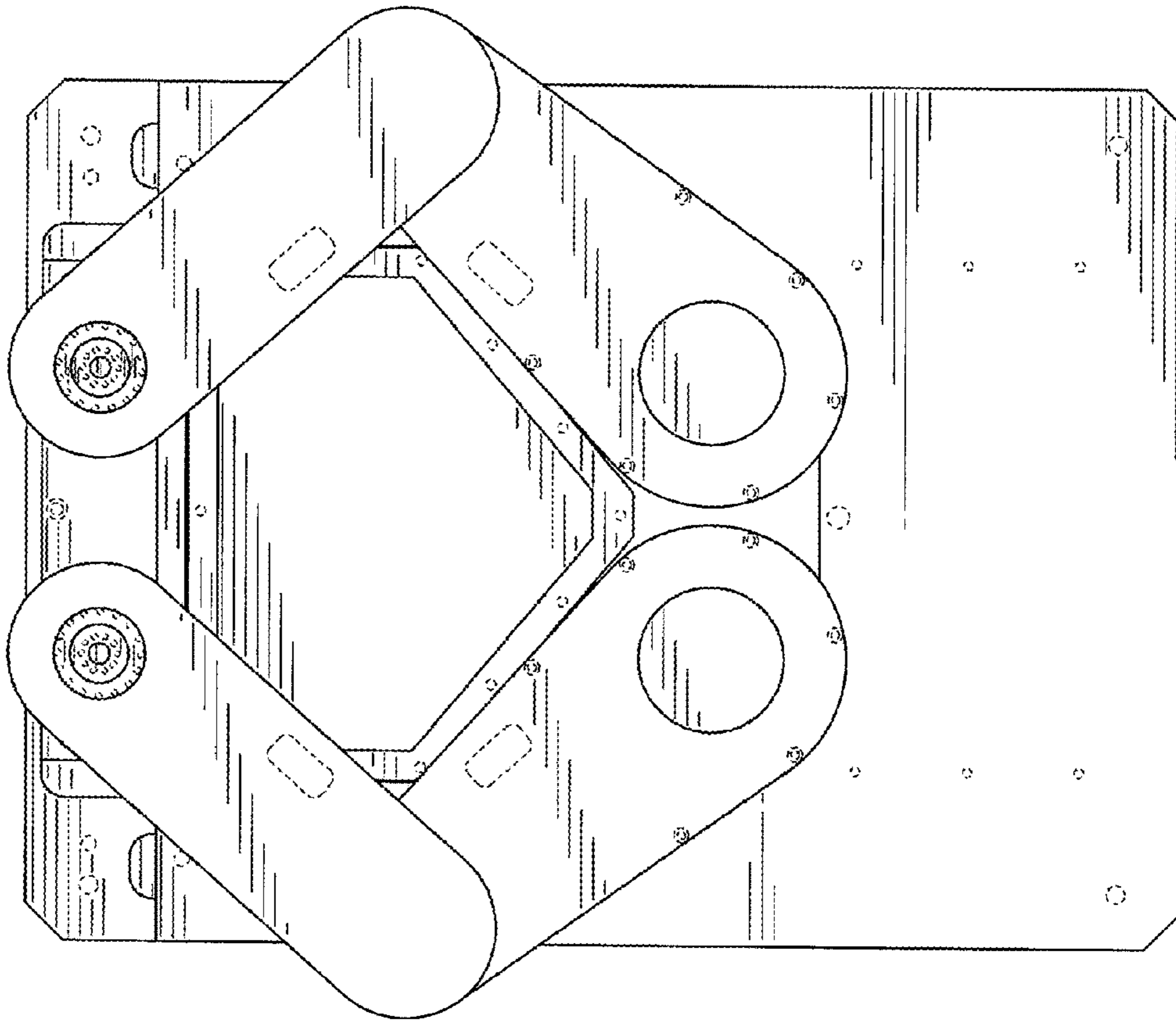
**FIG. 3**



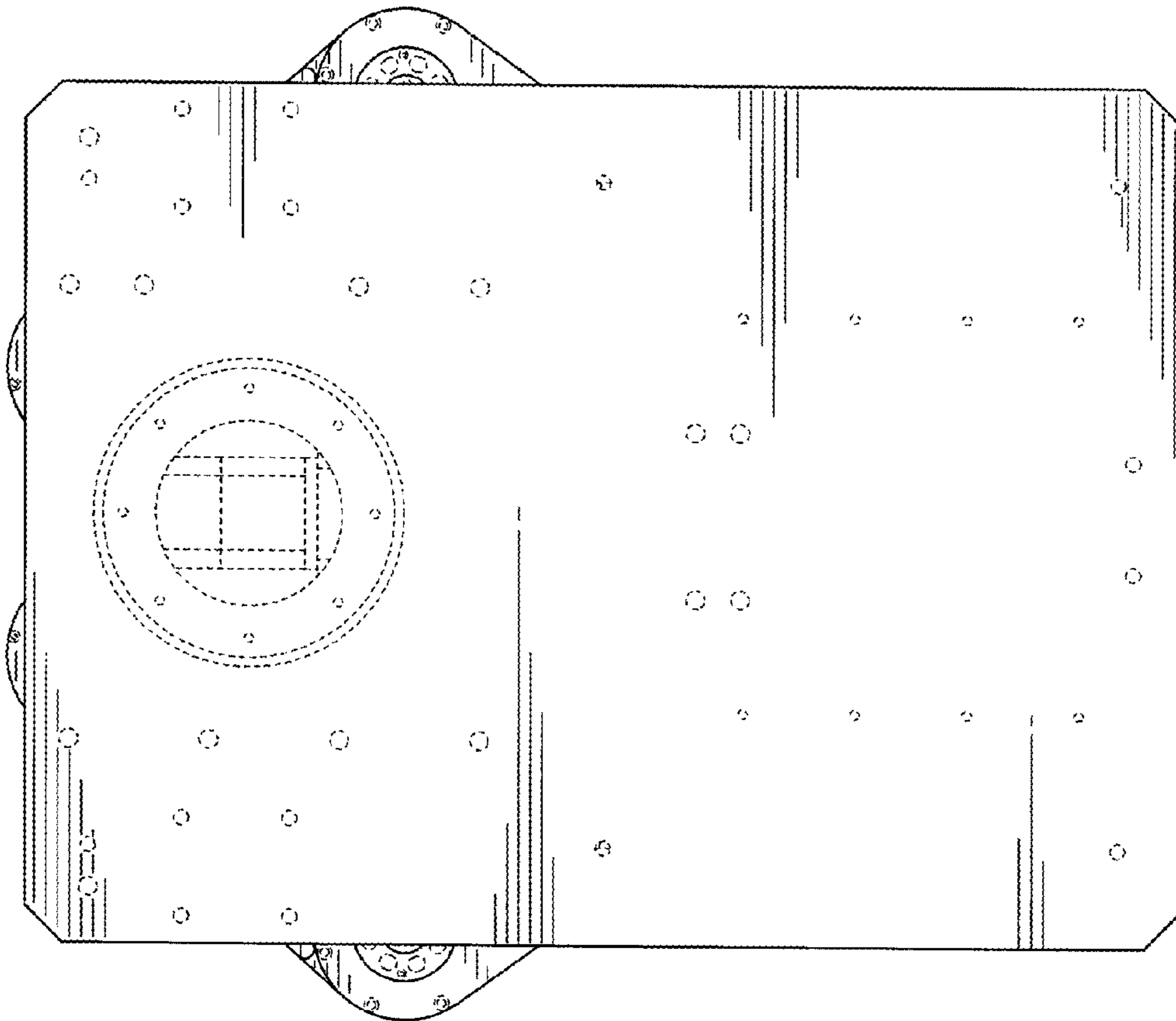
**FIG. 4**



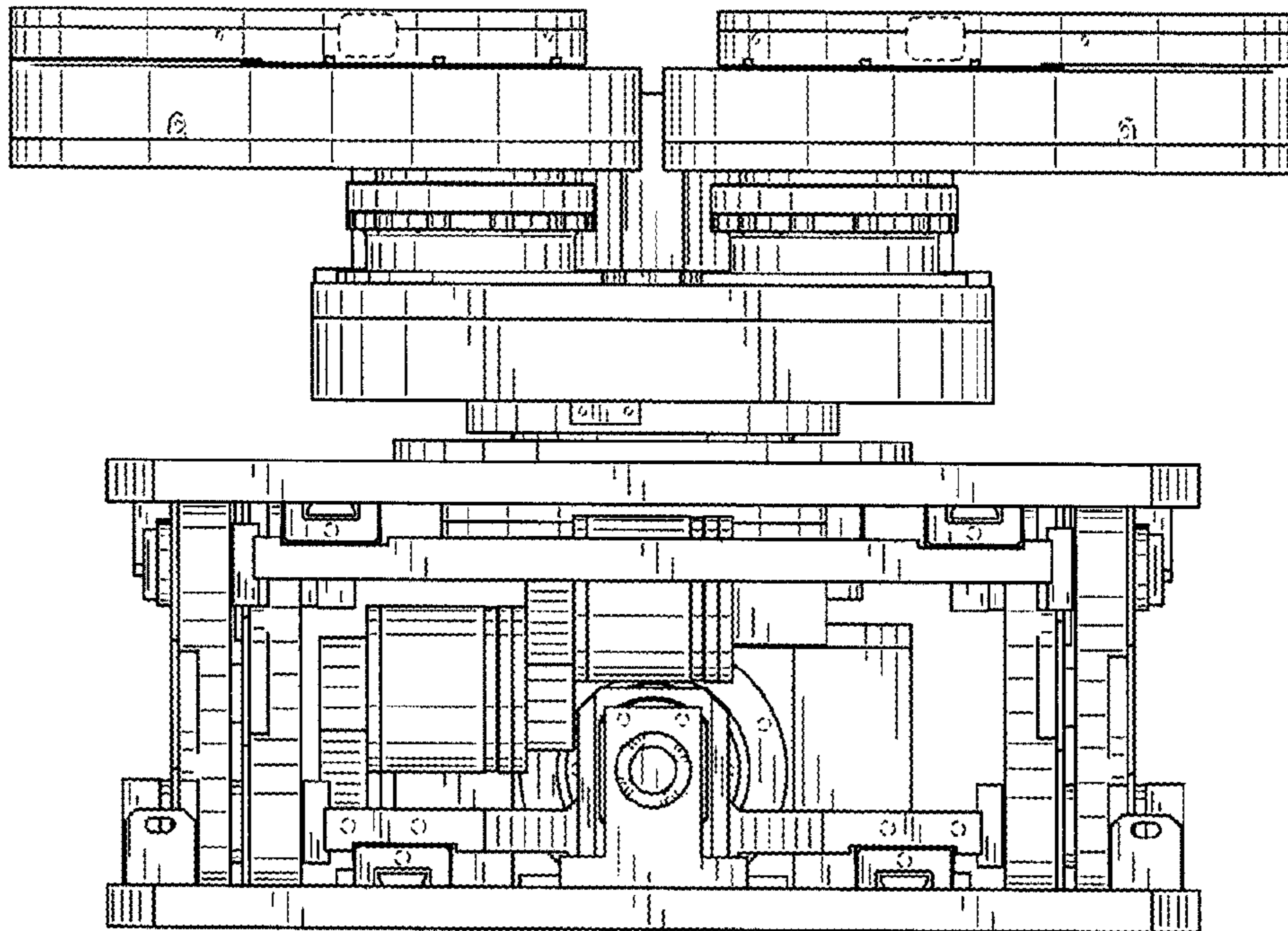
**FIG. 5**



**FIG. 6**



*FIG. 7*





**FIG. 8**

