

US00D764556S

(12) **United States Design Patent**  
**Bjoern et al.**

(10) **Patent No.:** **US D764,556 S**  
(45) **Date of Patent:** **\*\* Aug. 23, 2016**

(54) **TIRE FITTING MACHINE**

(56) **References Cited**

(71) Applicant: **SICAM S.r.l.**, Correggio (IT)

U.S. PATENT DOCUMENTS

(72) Inventors: **Dressler Bjoern**, Iphofen (DE); **Davide Ruspaggiari**, Carpi (IT); **Marco Vescovini**, Cavezzo (IT)

5,941,294	A *	8/1999	Cunningham	.....	B60C 25/132 157/1.24
8,464,775	B2 *	6/2013	Barbetti	.....	B60C 25/13 157/1.22
2011/0155329	A1 *	6/2011	Magnani	.....	B60C 25/138 157/1.17
2012/0061028	A1 *	3/2012	Barbetti	.....	B60C 25/138 157/1.24
2014/0311682	A1 *	10/2014	Bonacini	.....	B60C 25/13 157/1.24
2015/0273960	A1 *	10/2015	Dressler	.....	B60C 25/138 157/1.24

(73) Assignee: **SICAM S.R.L.**, Correggio (IT)

(\*\*) Term: **14 Years**

\* cited by examiner

(21) Appl. No.: **29/500,594**

*Primary Examiner* — Susan Bennett Hattan

(22) Filed: **Aug. 26, 2014**

*Assistant Examiner* — Brett Miller

(30) **Foreign Application Priority Data**

(74) *Attorney, Agent, or Firm* — Young & Thompson

Mar. 14, 2014 (EM) ..... 002425850-0001

(57) **CLAIM**

The ornamental design for a tire fitting machine, as shown and described.

(51) **LOC (10) Cl.** ..... **15-99**

**DESCRIPTION**

(52) **U.S. Cl.**

USPC ..... **D15/199**

(58) **Field of Classification Search**

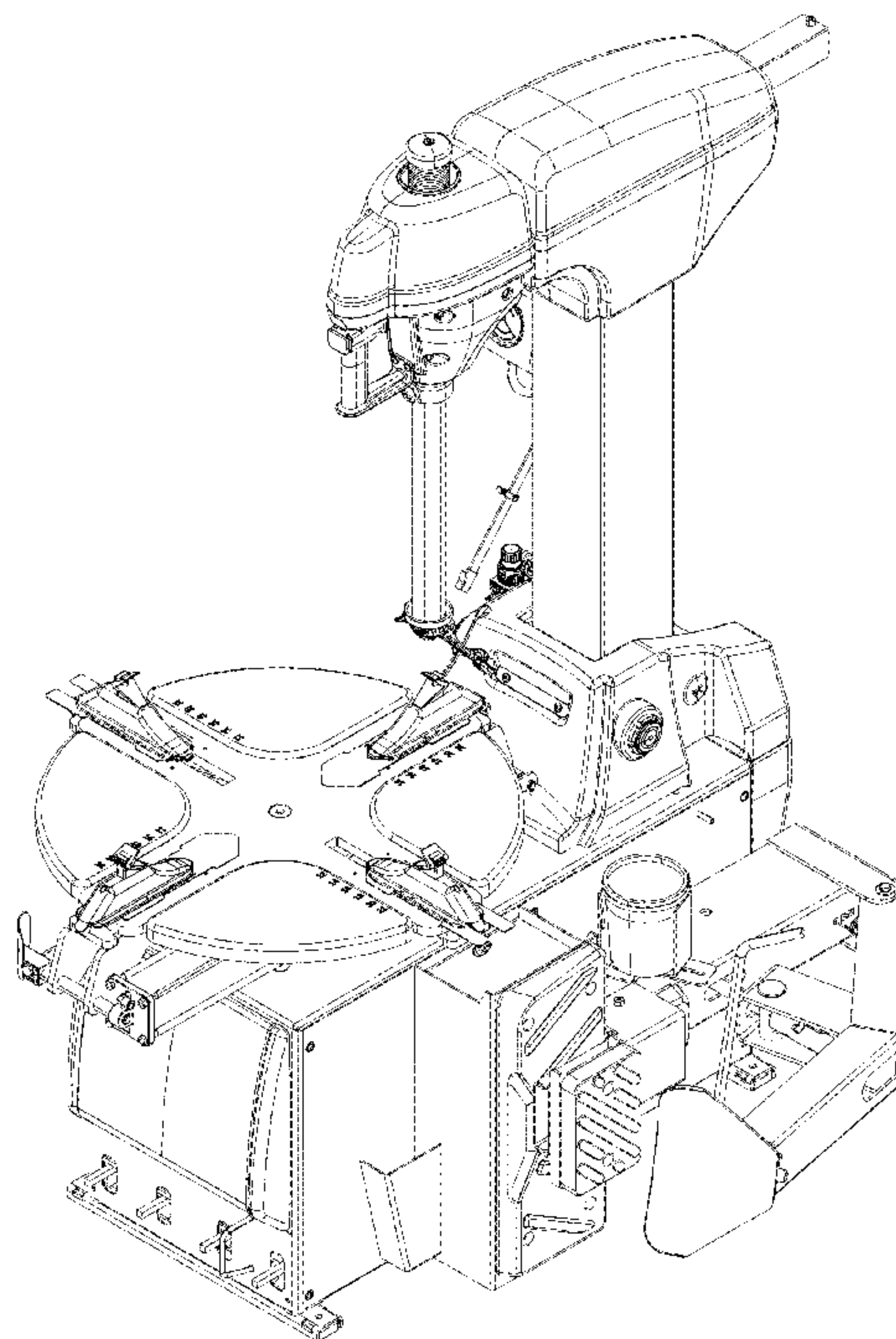
USPC ..... D15/122, 145-147, 199, 131, 10,  
D15/127-129; 157/1.17, 1.24

CPC ..... B60C 25/132-25/138

See application file for complete search history.

FIG. 1 is a front, left side and top perspective view of a tire fitting machine showing the new design; FIG. 2 is a left side elevation view thereof; FIG. 3 is a front elevation view thereof; FIG. 4 is a right side elevation view thereof; FIG. 5 is a rear elevation view thereof; FIG. 6 is a top plan view thereof; and, FIG. 7 is a bottom plan view thereof.

**1 Claim, 7 Drawing Sheets**



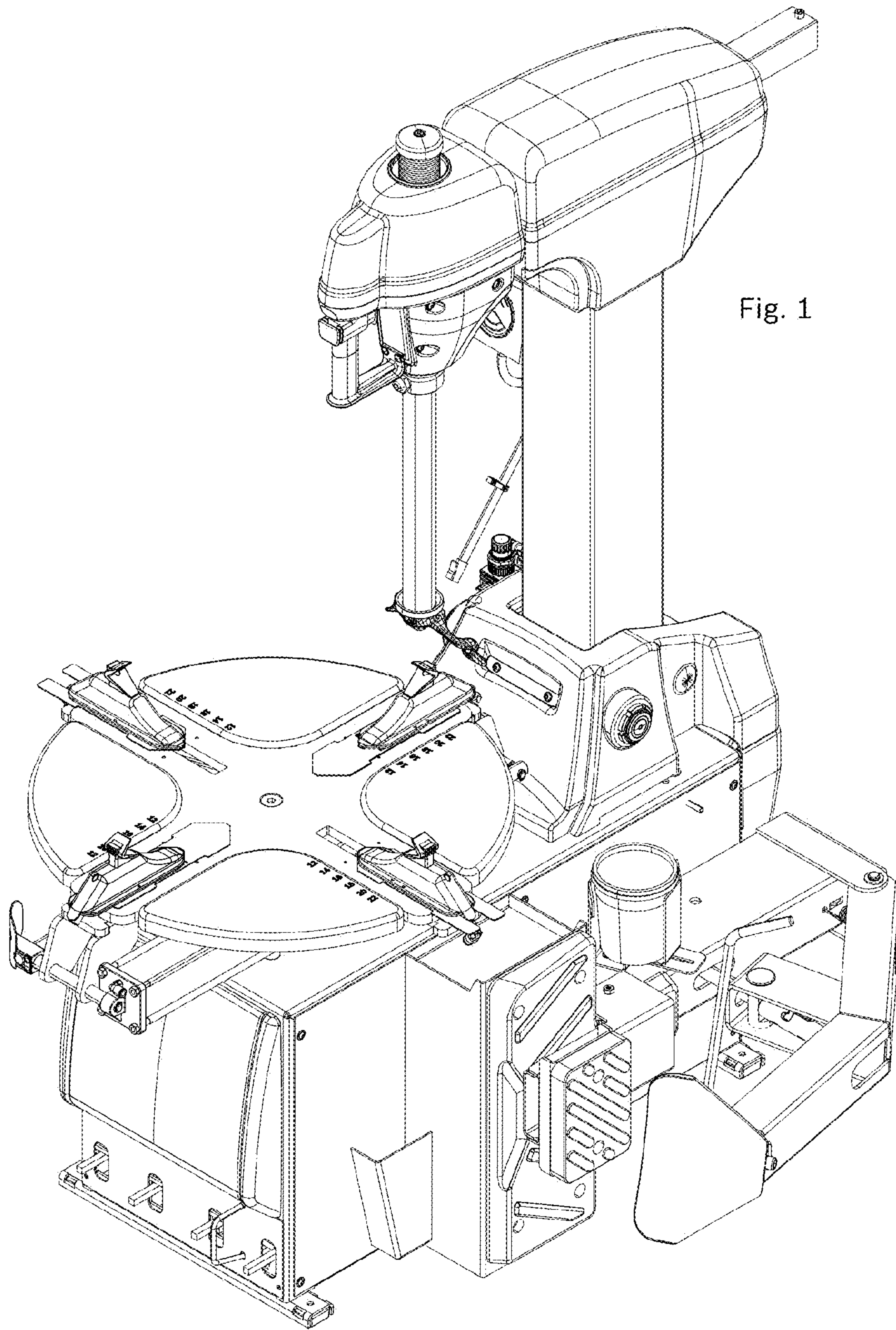


Fig. 2

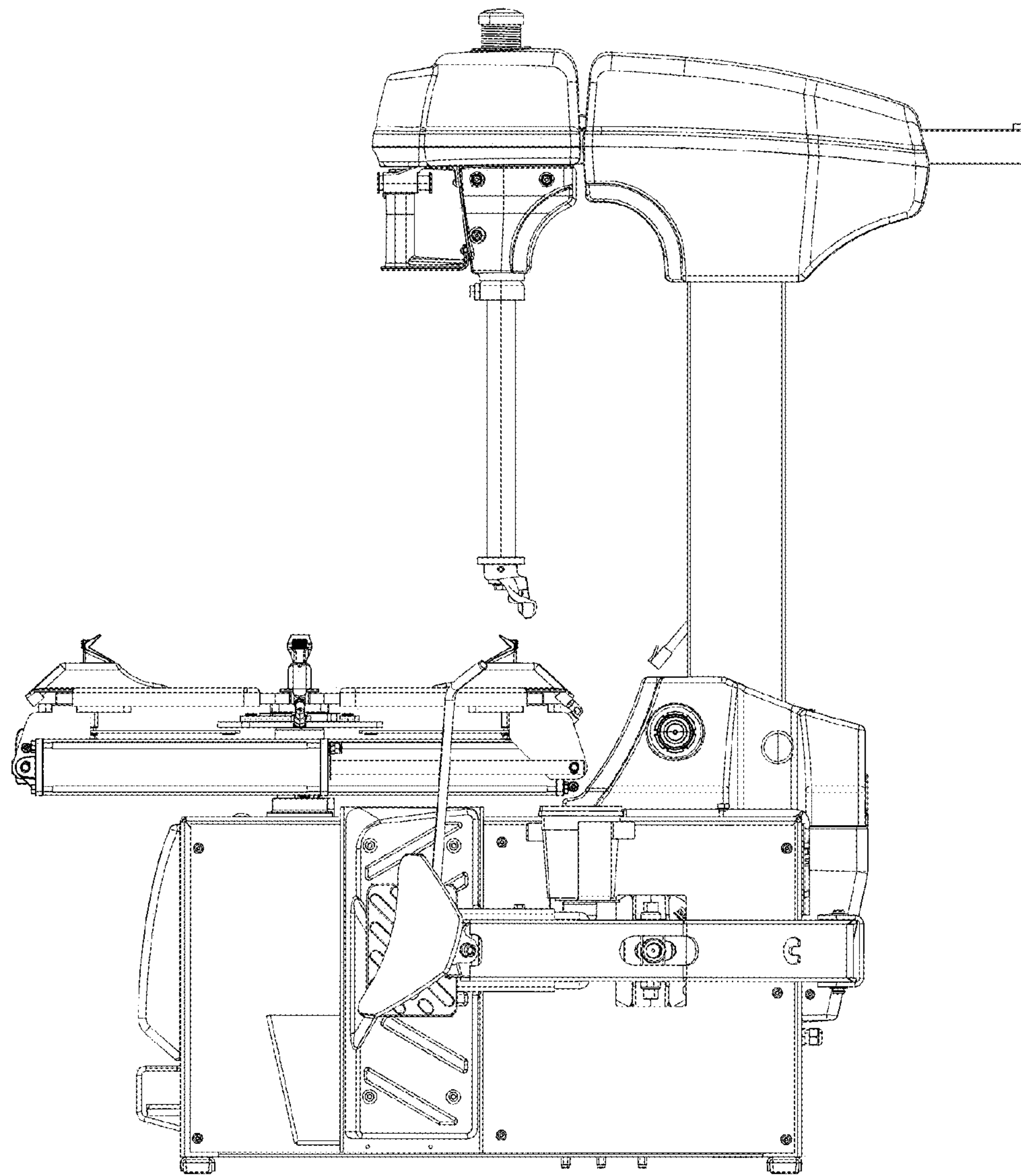




Fig. 3

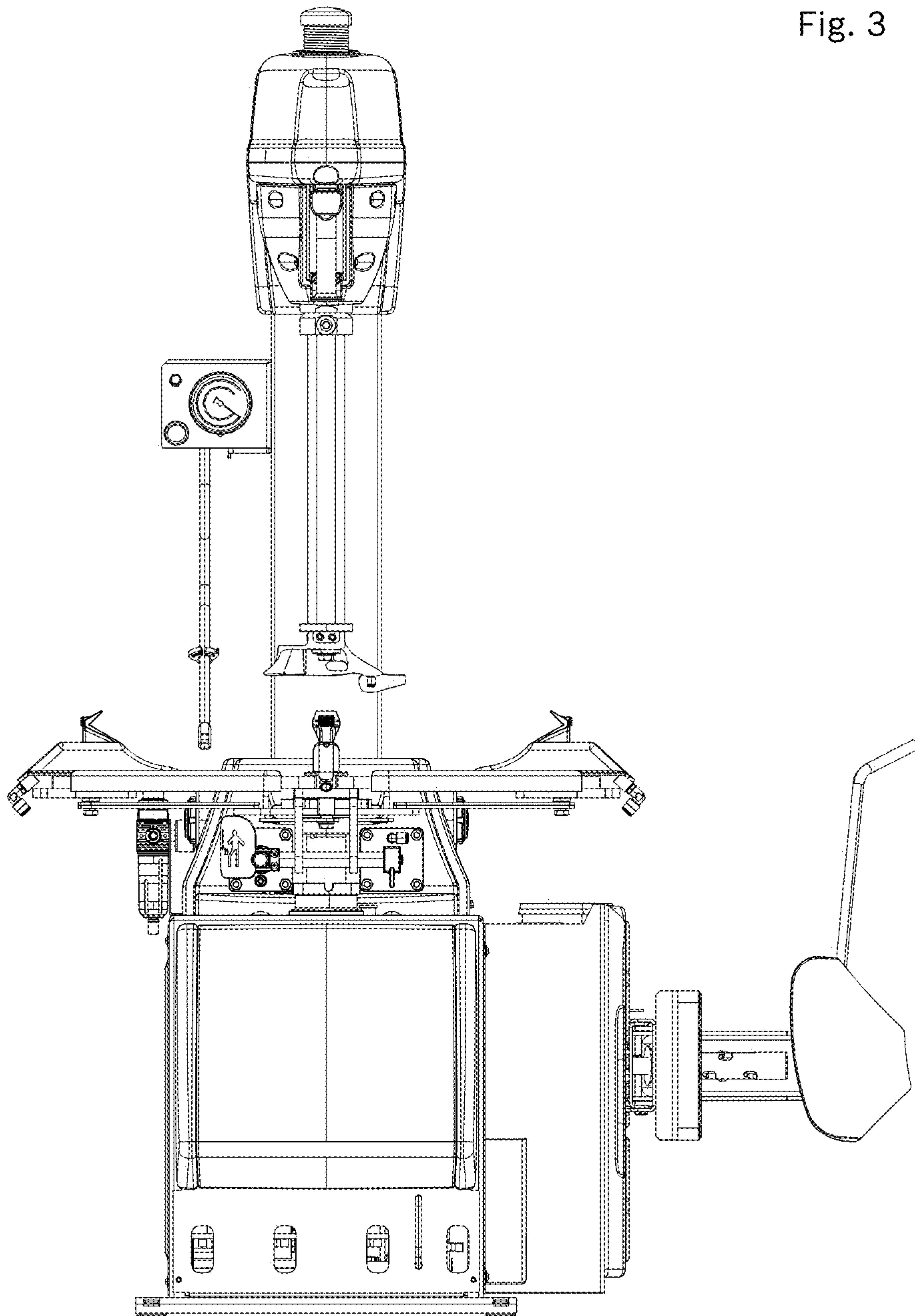
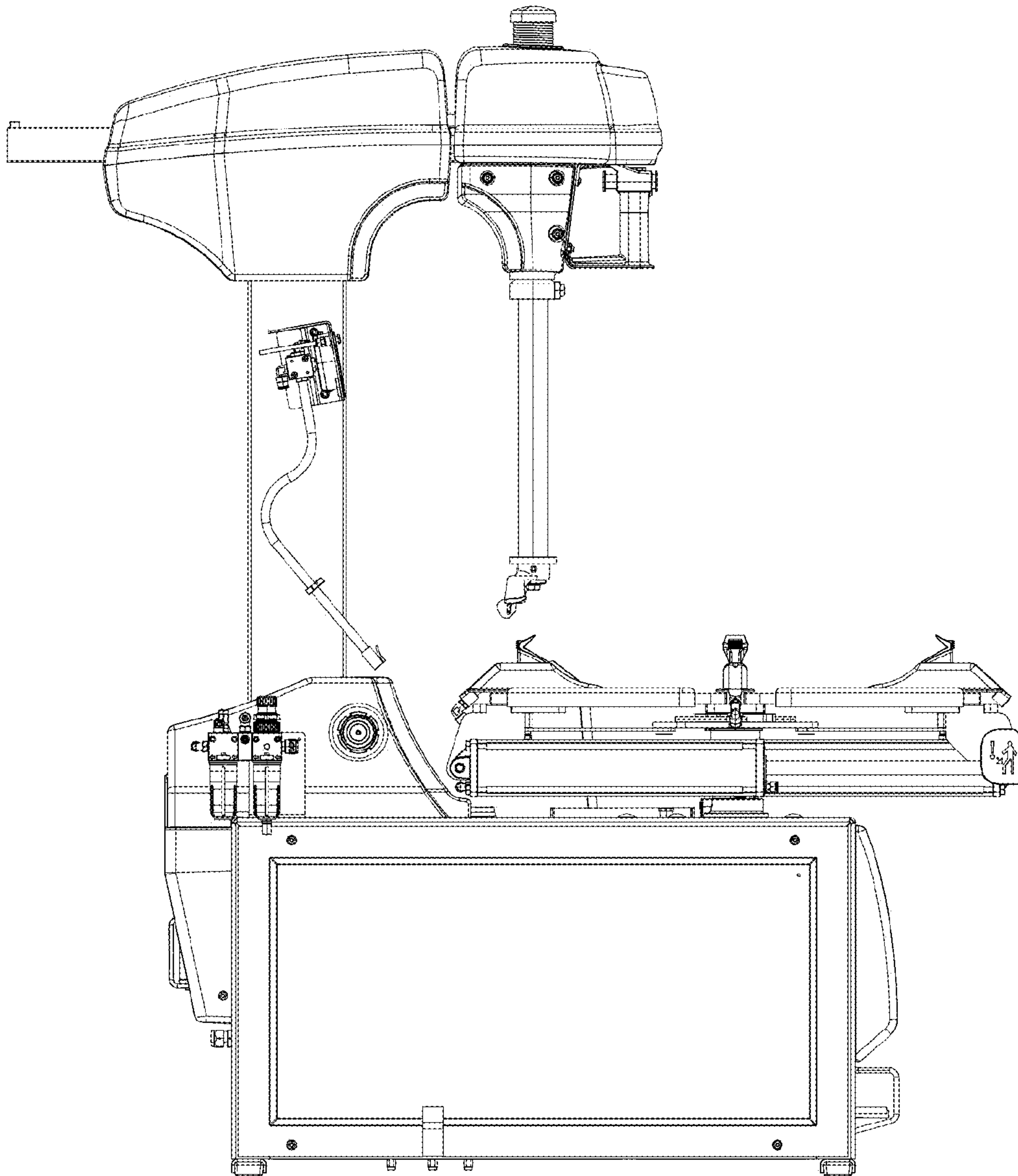


Fig. 4



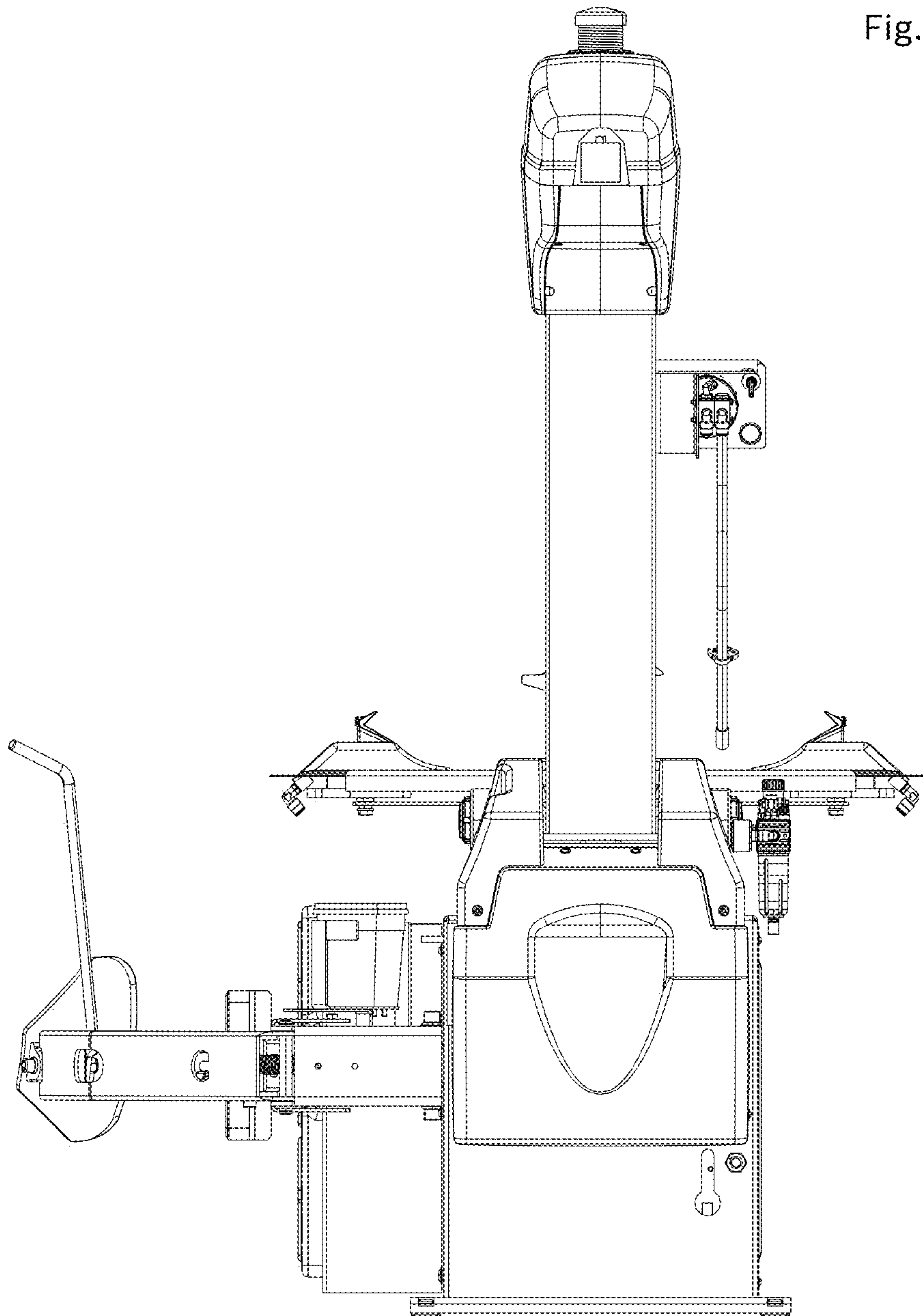


Fig. 5

Fig. 6

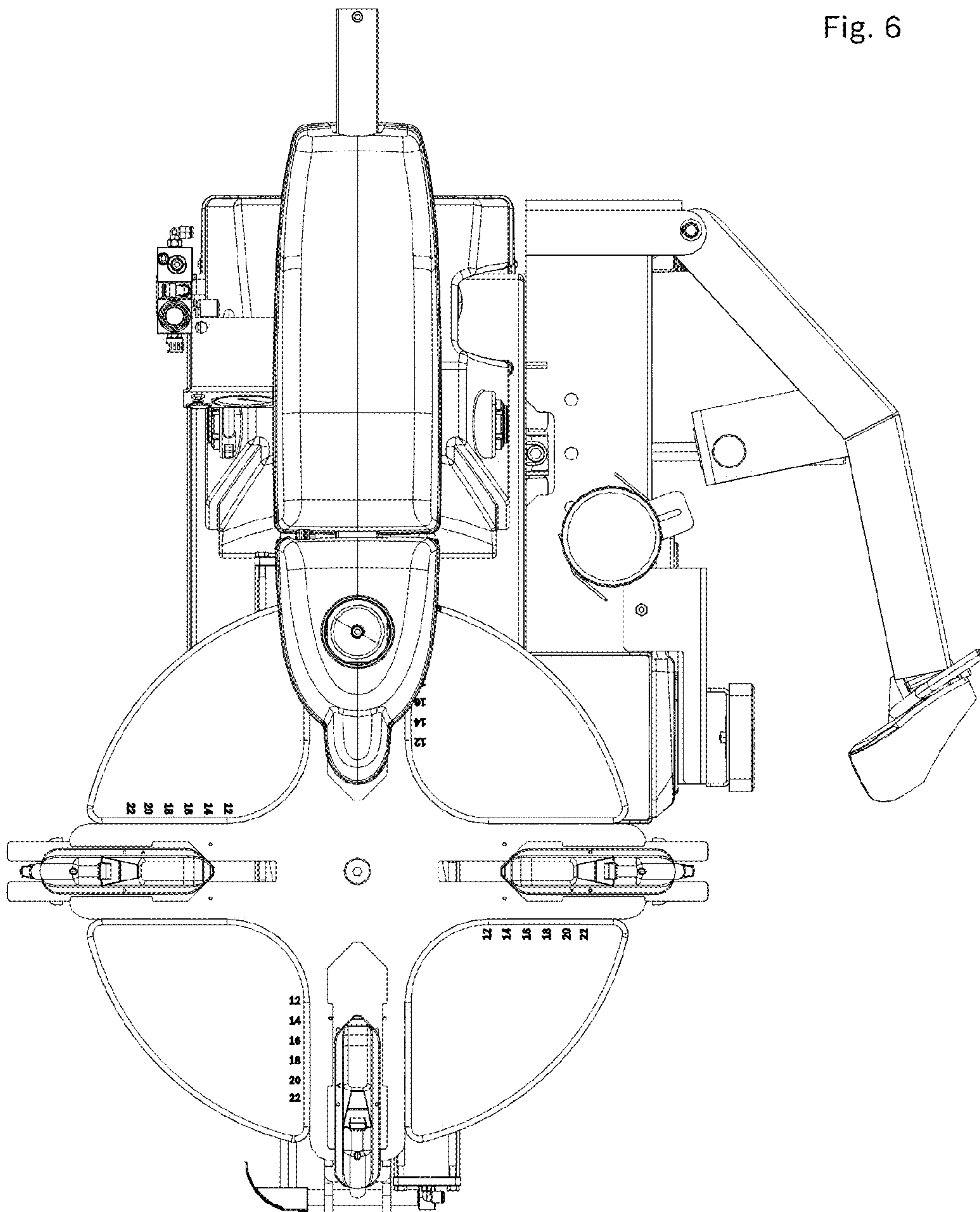


Fig. 7

