



US00D764555S

(12) **United States Design Patent**  
**Aldrich**

(10) **Patent No.:** **US D764,555 S**

(45) **Date of Patent:** **\*\* Aug. 23, 2016**

(54) **RECIRCULATING BEARING**

(71) Applicant: **Ergotron, Inc.**, St. Paul, MN (US)

(72) Inventor: **Stuart Ripley Aldrich**, North Bennington, VT (US)

(73) Assignee: **Ergotron, Inc.**, St. Paul, MN (US)

(\*\*) Term: **15 Years**

(21) Appl. No.: **29/540,467**

(22) Filed: **Sep. 24, 2015**

**Related U.S. Application Data**

(62) Division of application No. 29/473,345, filed on Nov. 21, 2013, now abandoned.

(51) **LOC (10) Cl.** ..... **15-09**

(52) **U.S. Cl.**  
USPC ..... **D15/143**

(58) **Field of Classification Search**  
USPC ..... D15/143  
See application file for complete search history.

(56) **References Cited**

**U.S. PATENT DOCUMENTS**

3,003,828	A	10/1961	Stark	
3,241,890	A	3/1966	Stallman	
3,341,262	A	9/1967	Kalmanek	
3,655,247	A	4/1972	Grover	
3,802,752	A *	4/1974	Koschmieder et al.	384/44
3,836,211	A *	9/1974	Pfister-Schneeberger	384/44
3,937,532	A	2/1976	Fuhrmann et al.	
4,183,591	A	1/1980	Mayer	
4,432,587	A	2/1984	Bryan	
4,496,195	A	1/1985	Kwon et al.	
4,544,211	A	10/1985	Kwon et al.	
4,547,023	A *	10/1985	Blatter	384/44
4,678,347	A	7/1987	Butts et al.	

(Continued)

**OTHER PUBLICATIONS**

“U.S. Appl. No. 29/473,345, Response filed Aug. 19, 2015 to Restriction Requirement mailed Jul. 21, 2015”, 4 pgs.

(Continued)

*Primary Examiner* — Patricia Palasik

(74) *Attorney, Agent, or Firm* — Schwegman Lundberg & Woessner, P.A.

(57) **CLAIM**

I claim the ornamental design for a recirculating bearing, as shown and described.

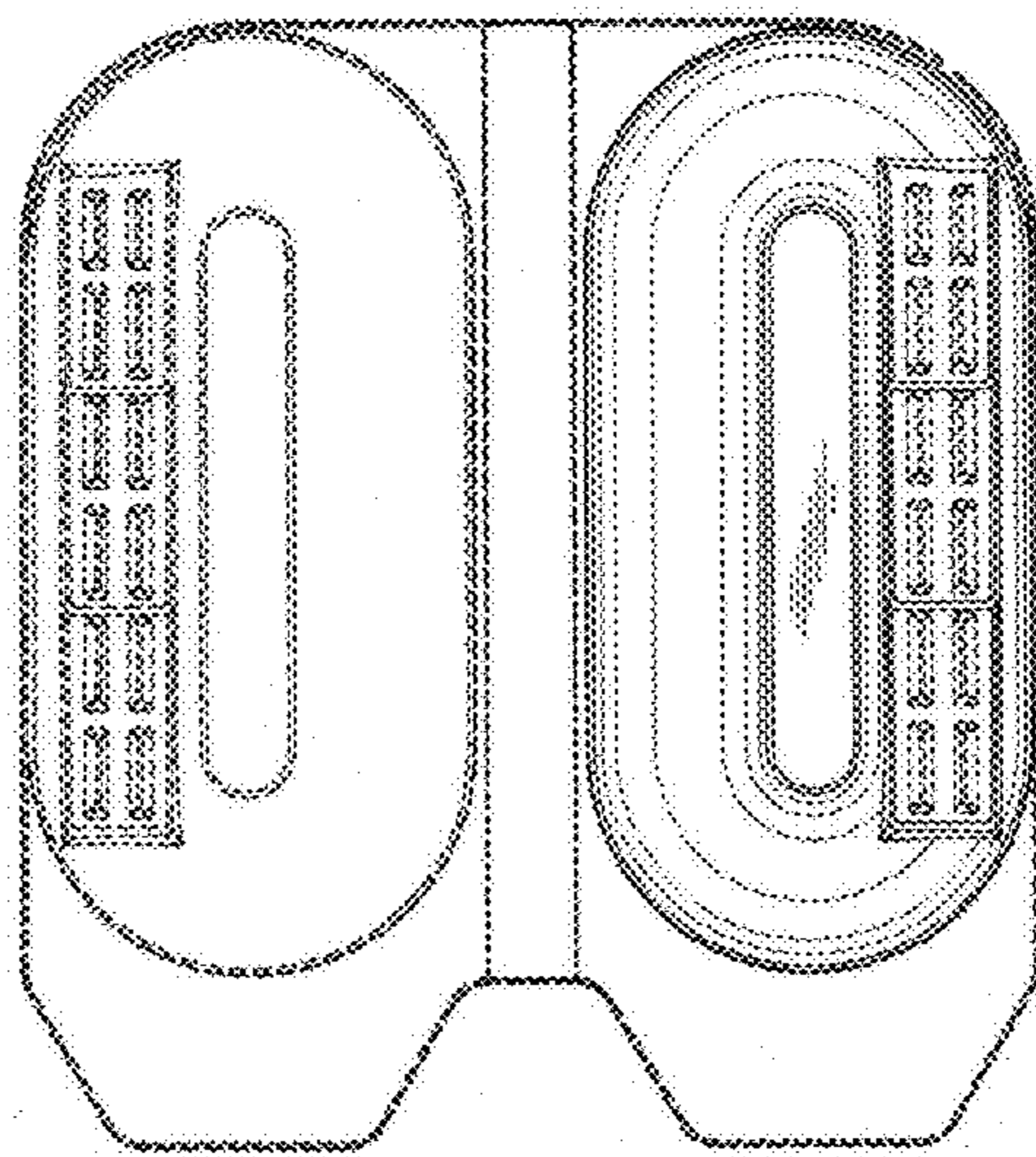
**DESCRIPTION**

FIG. 1 is a bottom view of a recirculating bearing. FIG. 2 is a front view of the recirculating bearing of FIG. 1. FIG. 3 is a rear view of the recirculating bearing of FIG. 1. FIG. 4 is a right side view of the recirculating bearing of FIG. 1; and, FIG. 5 is a bottom perspective view of the recirculating bearing of FIG. 1.

A left side view of the recirculating bearing of FIG. 8 is omitted as the shape and appearance of that view would be apparent from FIGS. 8-12. A top view of the recirculating bearing of FIG. 8 is omitted as no features of the claimed design are visible in that view.

In FIG. 5, broken lines showing an adjustment base and screw are illustrative of the environment of use and form no part of the claimed design. In FIGS. 1, 3 and 5, broken lines showing surface reliefs in the ramps are for illustrative purposes only and form no part of the claimed design. In FIG. 4, broken lines showing recirculating bearing elements are for illustrative purposes only and form no part of the claimed design. In FIGS. 1-5, broken lines showing a flame for a recirculating bearing and a second recirculating bearing element raceway are illustrative of an environment of use and form no part of the claimed design.

**1 Claim, 2 Drawing Sheets**



(56)

**References Cited**

U.S. PATENT DOCUMENTS

4,765,754	A	8/1988	Slocum
6,908,228	B2	6/2005	Dalessandro et al.
D557,298	S	12/2007	Ingham
D660,890	S	5/2012	Ito et al.

OTHER PUBLICATIONS

"U.S. Appl. No. 29/473,345, Restriction Requirement mailed Jul. 21, 2015", 7 pgs.

"U.S. Appl. No. 29/473,345, Notice of Allowance mailed Aug. 26, 2015", 8 pgs.

\* cited by examiner

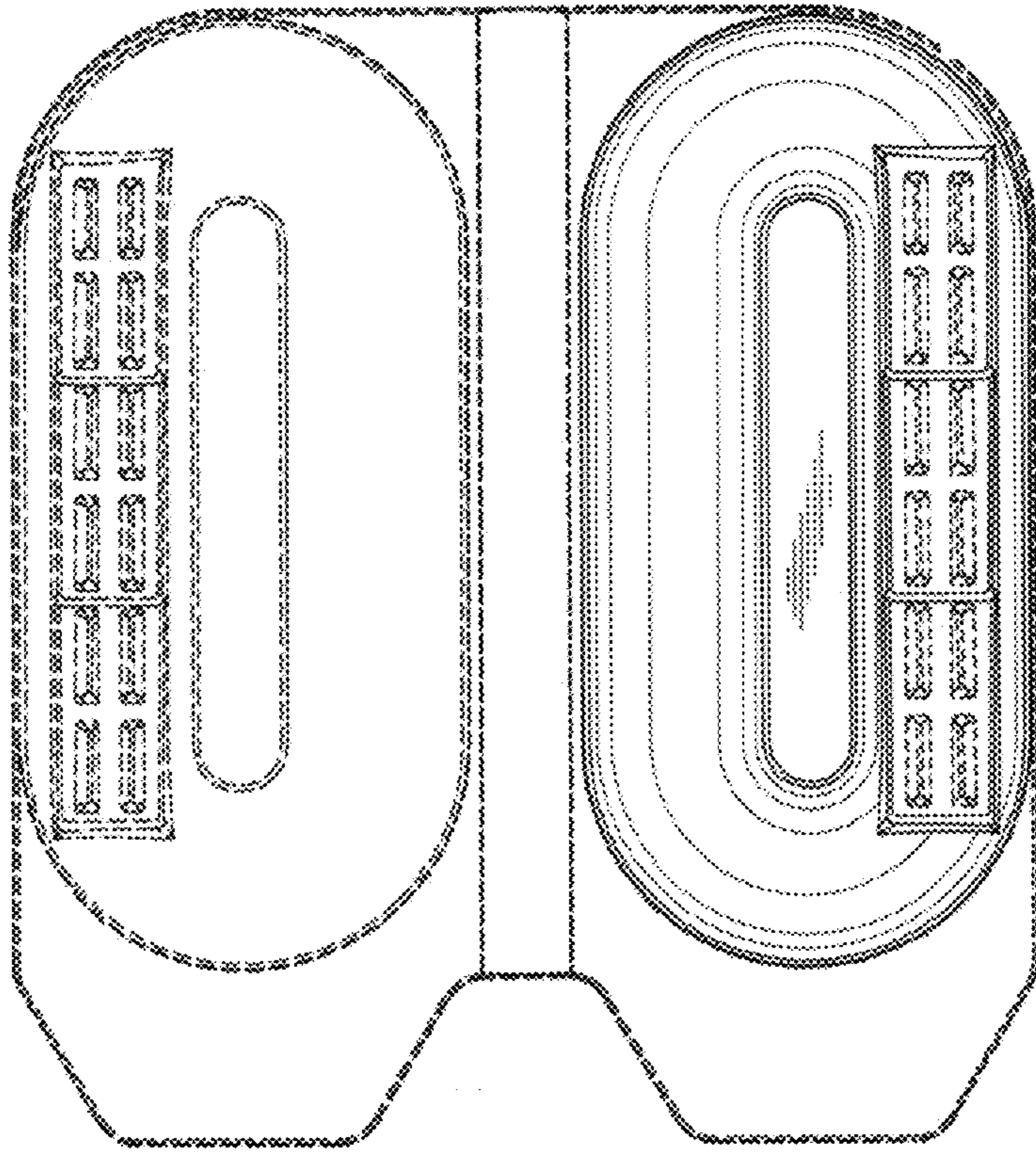


FIG. 1

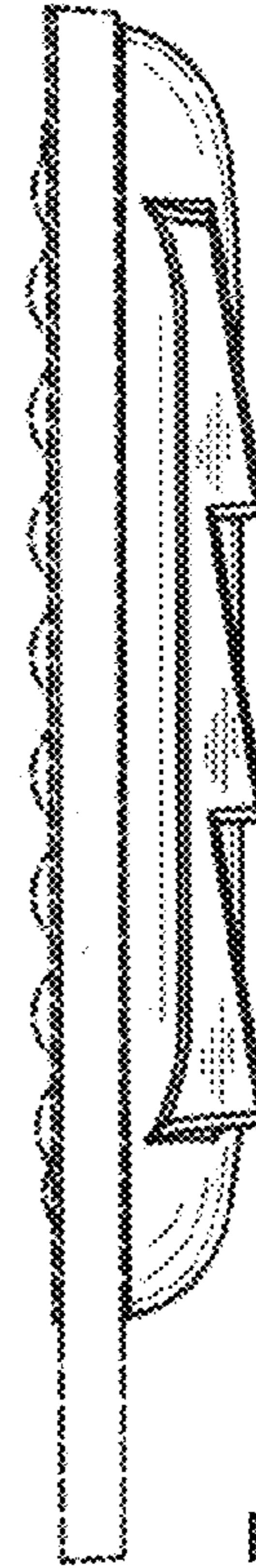


FIG. 2



FIG. 3



FIG. 4

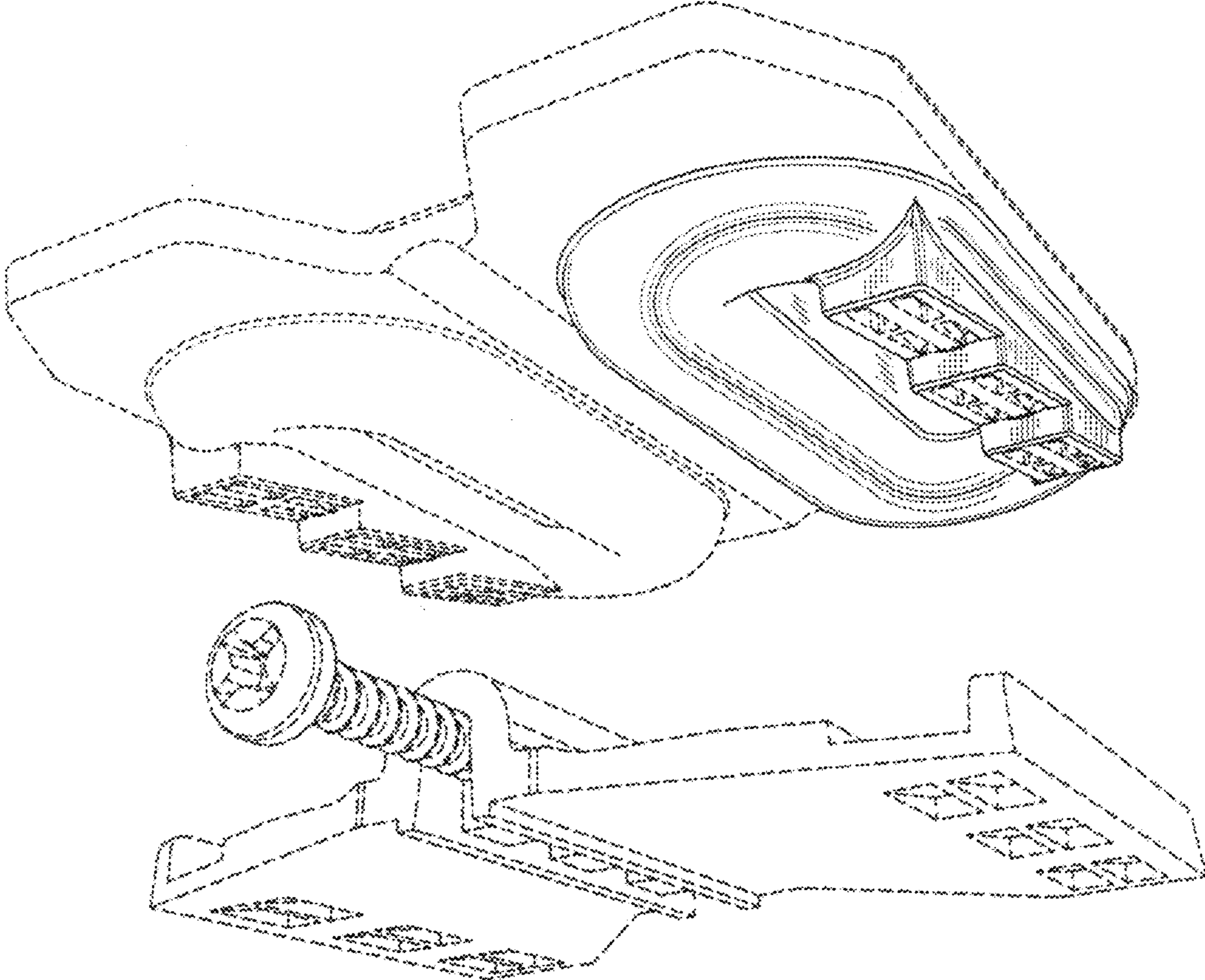


FIG. 5