

US00D764554S

(12) **United States Design Patent**  
**Charles et al.**

(10) **Patent No.:** **US D764,554 S**

(45) **Date of Patent:** **\*\* Aug. 23, 2016**

(54) **THREADED TAPERED MOLD**

(71) Applicant: **RETECH SYSTEMS LLC**, Ukiah, CA  
(US)

(72) Inventors: **Matthew A Charles**, Cloverdale, CA  
(US); **Paul G. Meese**, Healdsburg, CA  
(US)

(73) Assignee: **RETECH SYSTEMS LLC**, Ukiah, CA  
(US)

(\*\*) Term: **14 Years**

(21) Appl. No.: **29/525,990**

(22) Filed: **May 5, 2015**

(51) **LOC (10) Cl.** ..... **15-09**

(52) **U.S. Cl.**  
USPC ..... **D15/136**

(58) **Field of Classification Search**  
USPC ..... D15/135, 136, 138  
See application file for complete search history.

(56) **References Cited**

U.S. PATENT DOCUMENTS

D32,879 S *	6/1900	Rubin	.....	D15/136
5,651,935 A *	7/1997	Matsukura	.....	B29C 47/0021 264/146
6,033,609 A *	3/2000	Wright	.....	D01D 1/106 210/446
6,533,570 B2 *	3/2003	Meyer	.....	B29C 47/0023 425/380
6,620,448 B2 *	9/2003	Keller	.....	A23G 3/2015 425/131.1
D521,032 S *	5/2006	Sakamoto	.....	D15/135
D568,347 S *	5/2008	Manera	.....	D15/136
D631,073 S *	1/2011	Papa	.....	D15/135
D646,700 S *	10/2011	Takeuchi	.....	D15/135

D696,317 S *	12/2013	Carper	.....	D15/136
D699,769 S *	2/2014	Witz	.....	D15/136
D699,770 S *	2/2014	Kmoch	.....	D15/136
D700,224 S *	2/2014	Kmoch	.....	D15/136
D736,280 S *	8/2015	Myrhum, Jr.	.....	D15/136
2003/0020204 A1 *	1/2003	Davidson	.....	B29C 47/065 264/173.11
2004/0241266 A1 *	12/2004	Neubauer	.....	B29C 33/306 425/192 R

\* cited by examiner

*Primary Examiner* — Patricia Palasik

(74) *Attorney, Agent, or Firm* — Kilpatrick Townsend & Stockton LLP

(57) **CLAIM**

The ornamental design for a threaded tapered mold, as shown and described.

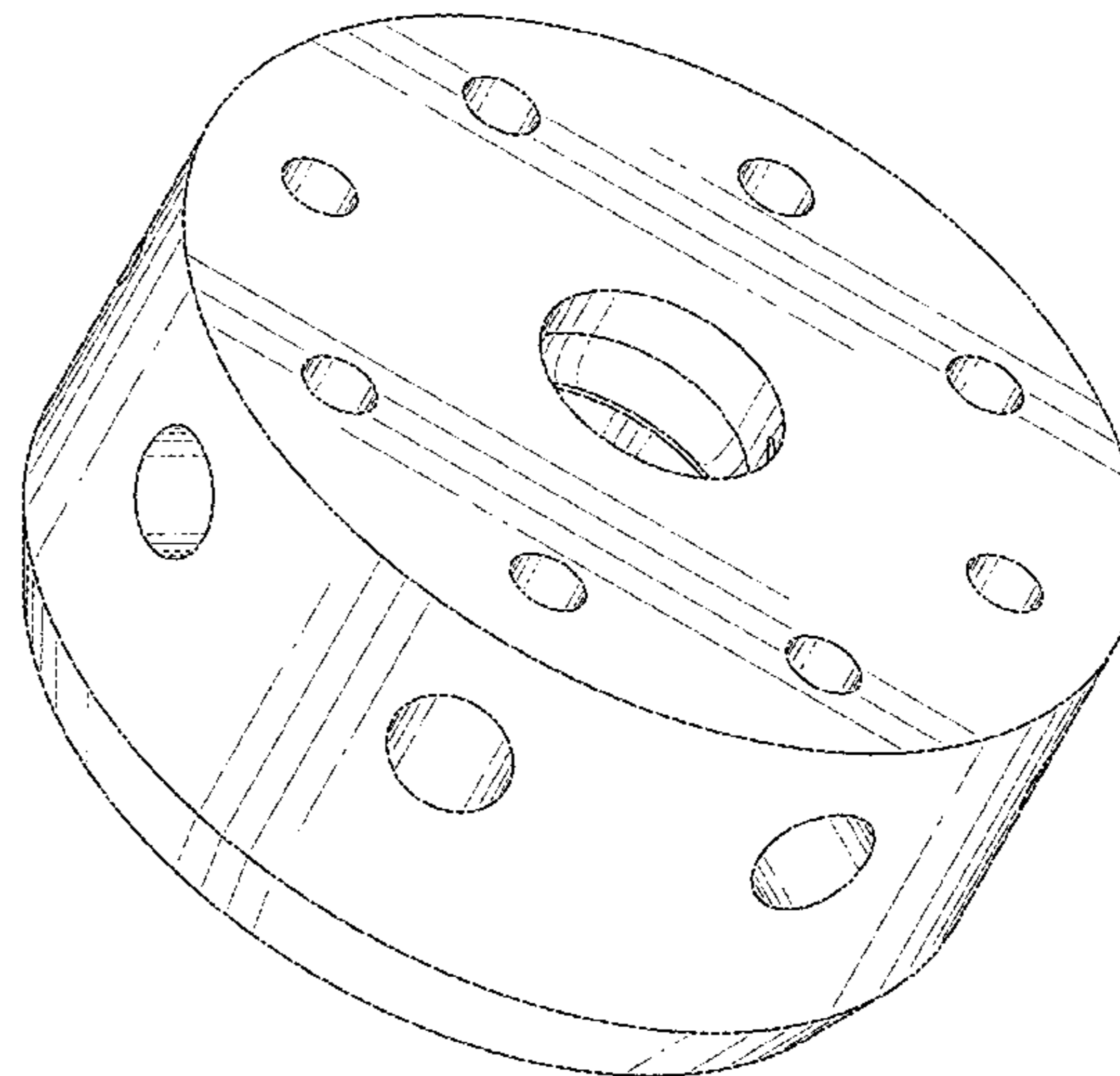
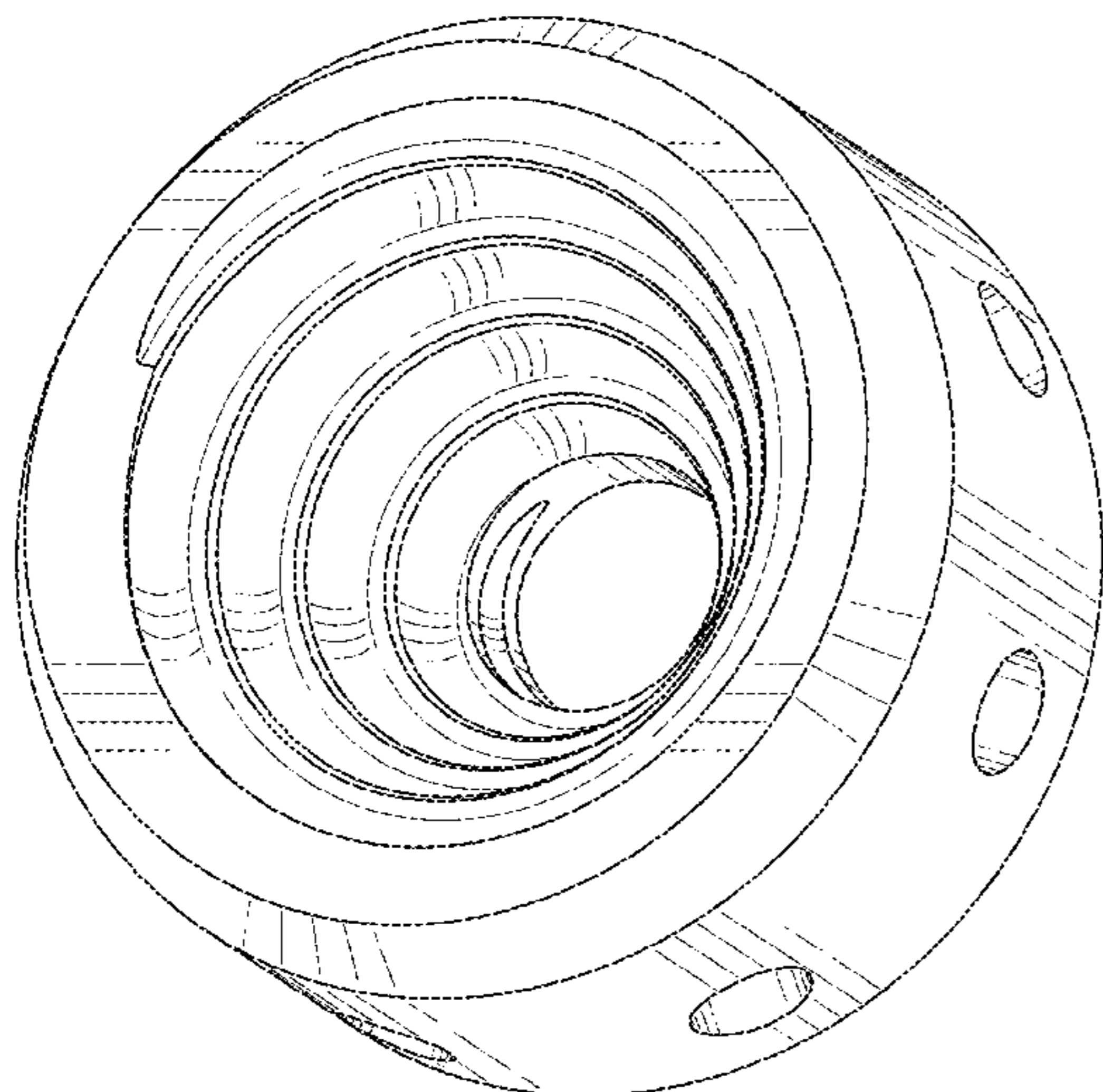
**DESCRIPTION**

FIG. 1 is a front perspective view of a threaded tapered mold showing our new design;  
FIG. 2 is a back perspective view thereof;  
FIG. 3 is a side elevational view thereof;  
FIG. 4 is a top plan view thereof;  
FIG. 5 is a bottom plan view thereof; and,  
FIG. 6 is a cross-sectional side view drawn along line 6-6 in FIG. 3 thereof.

The submitted line drawings (FIGS. 1-6) show some additional solid lines on the threaded tapered mold; some of these solid lines are not meant to convey actual solidly drawn lines, such as actual surface markings or ornamentation. As is generally recognized by persons skilled in the art of preparing digital drawings, such solid lines are meant to convey shading or the boundaries for curved surfaces on the device.

The broken lines in the drawings depict unclaimed environmental subject matter.

**1 Claim, 6 Drawing Sheets**



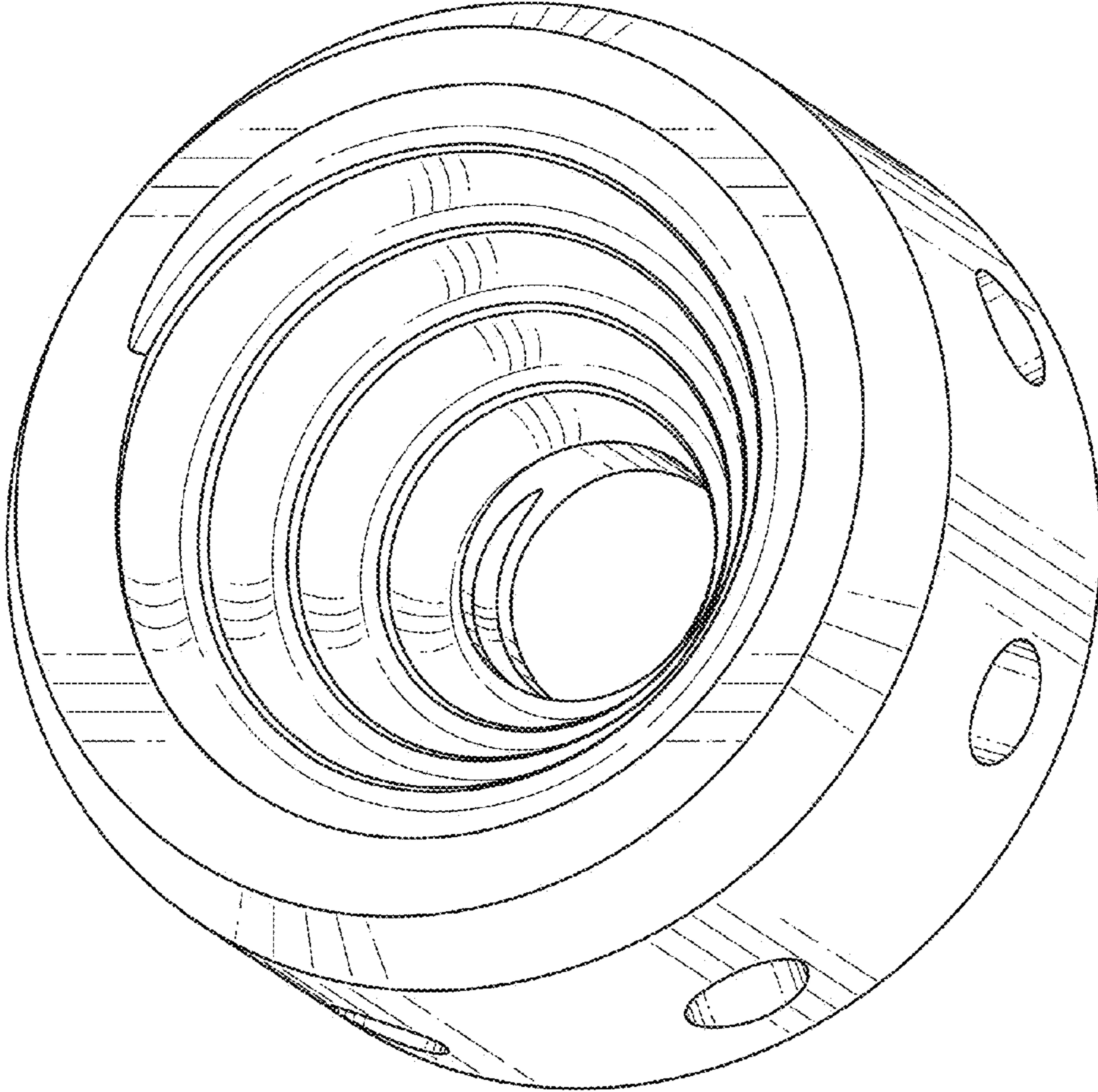


FIG. 1

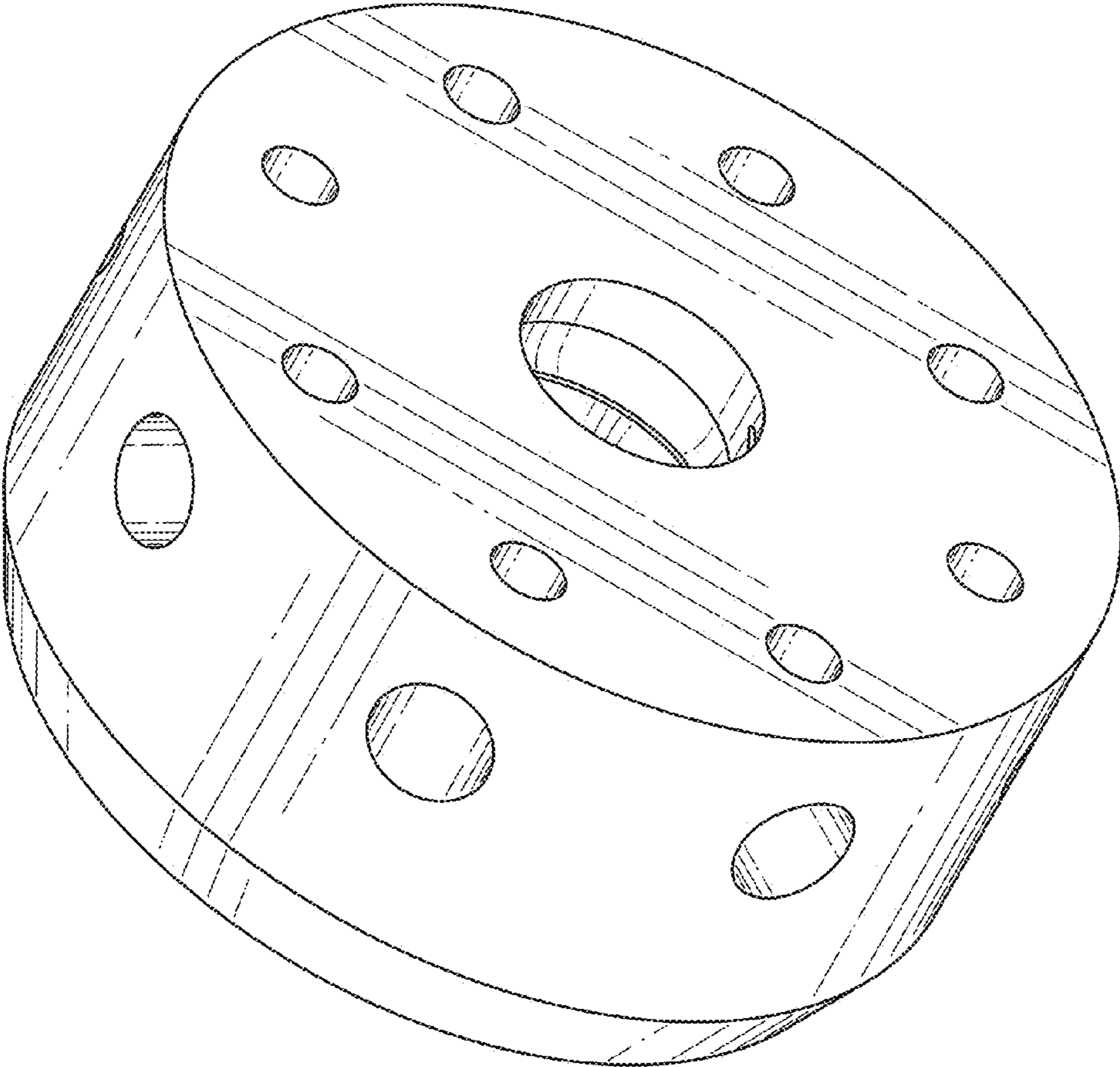


FIG. 2

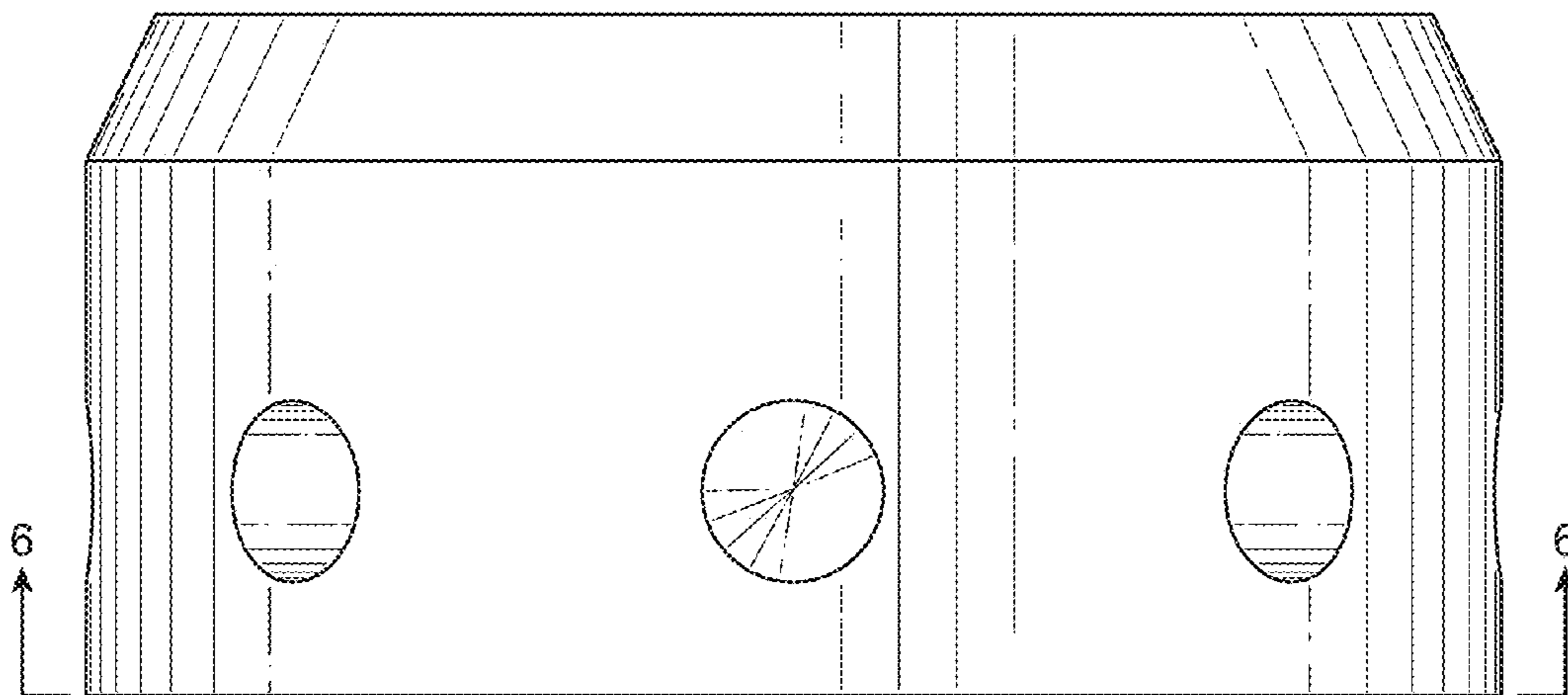


FIG. 3

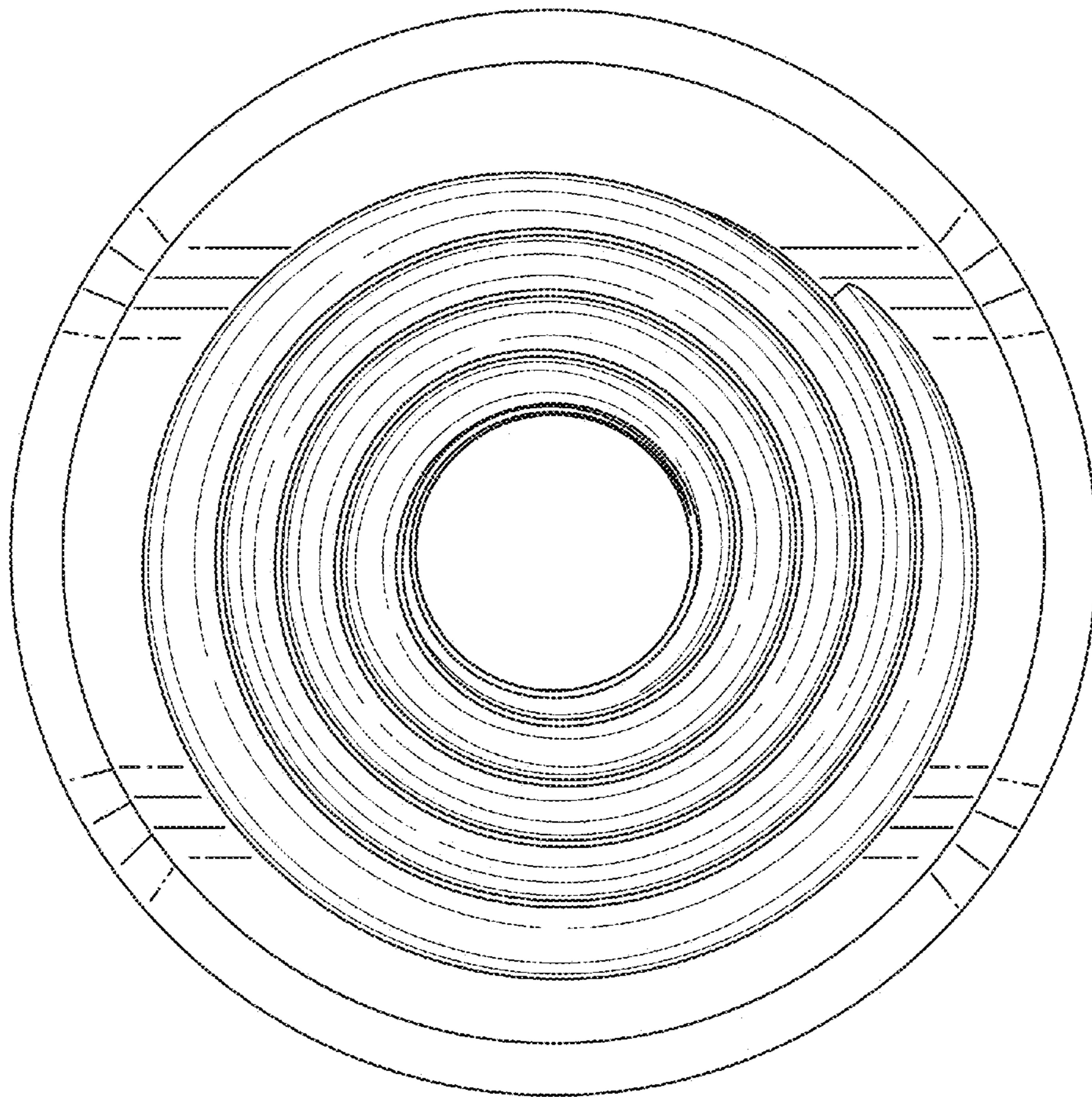


FIG. 4

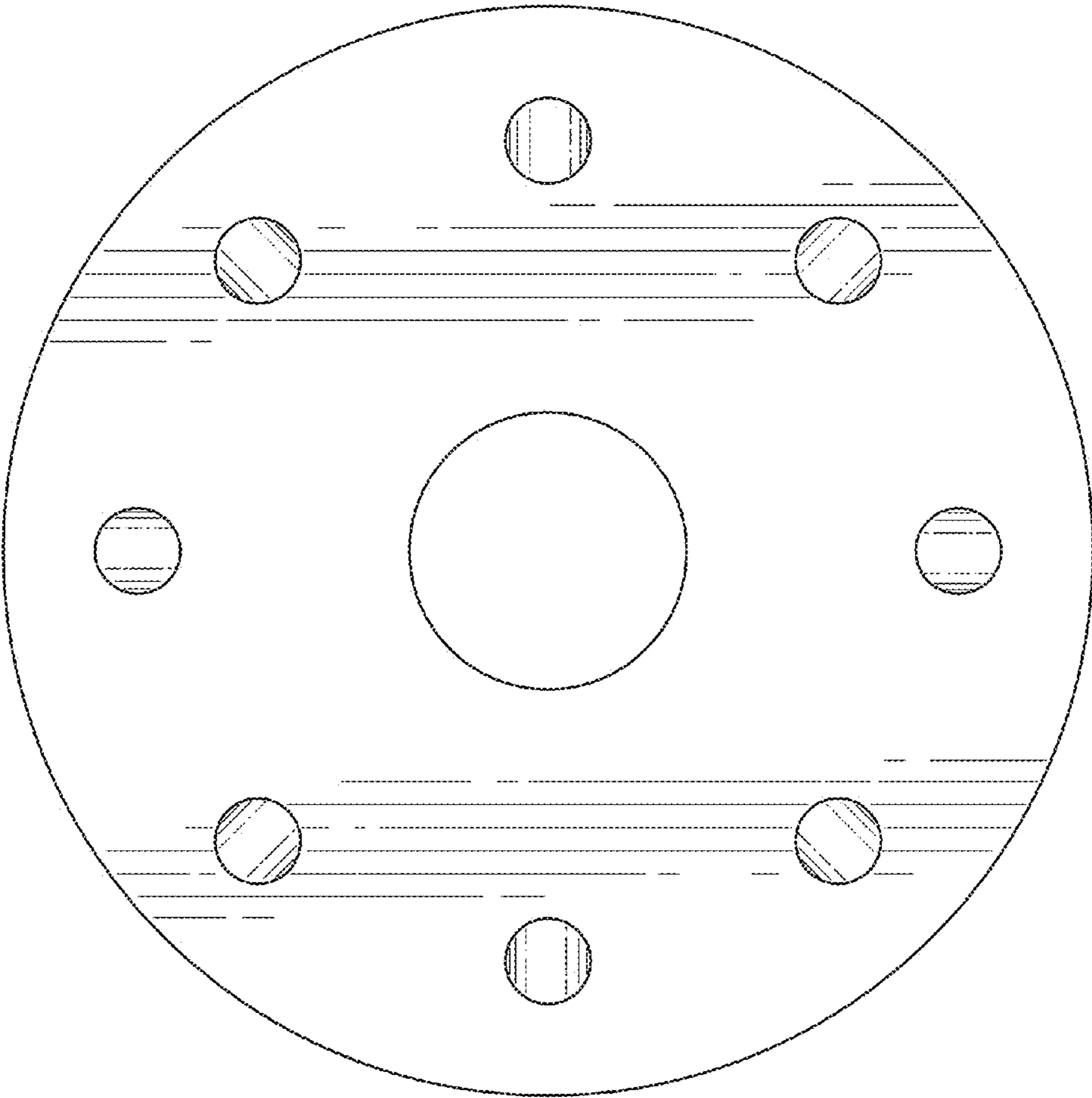


FIG. 5

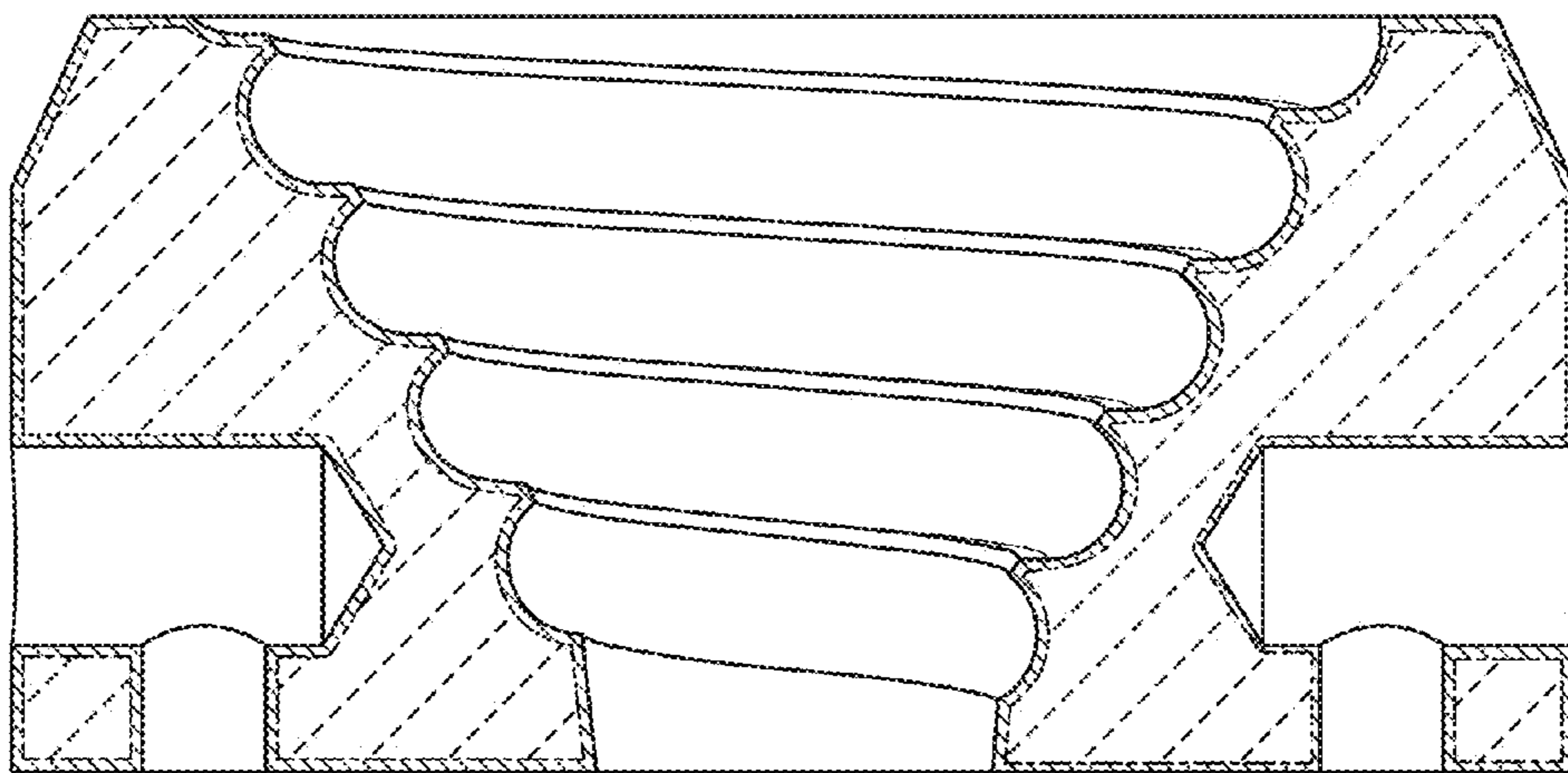


FIG. 6