

US00D764552S

(12) **United States Design Patent**
Traub

(10) **Patent No.:** **US D764,552 S**

(45) **Date of Patent:** **** Aug. 23, 2016**

(54) **FREEZER TRAY**

(71) Applicant: **John Traub**, Brooklyn, NY (US)

(72) Inventor: **John Traub**, Brooklyn, NY (US)

(73) Assignee: **HELEN OF TROY LIMITED**, St. Michael (BB)

(**) Term: **15 Years**

(21) Appl. No.: **29/541,472**

(22) Filed: **Oct. 4, 2015**

(51) **LOC (10) Cl.** **15-07**

(52) **U.S. Cl.**
USPC **D15/90**

(58) **Field of Classification Search**
USPC D15/79, 80, 82, 89, 90; D3/200-201,
D3/203.1, 203.3, 205-206, 304-315;
D6/672, 675; D19/75, 77, 86, 90, 92,
D19/100

CPC F25B 21/02; F25B 2321/02; F25B 1/005;
F25B 2321/0252; F25B 1/00; F25B 1/10;
F25B 21/04; F25B 2339/047; F25B 5/02;
F25B 7/00; F25B 13/00; F25B 1/053; F25B
2309/06; F25B 2321/021; F25B 2321/023;
F25D 23/028; F25D 23/02; F25D 25/025;
F25D 23/00; F25D 2323/021; F25D 11/00;
F25D 2323/024; F25D 23/04; F25D 29/00;
F25D 25/02; F25D 25/024; F25D 27/005;
F25D 23/12; F25D 29/005; F25D 17/042;
F25D 2325/021

See application file for complete search history.

(56) **References Cited**

U.S. PATENT DOCUMENTS

D434,427 S *	11/2000	Di Bitonto	D15/90
6,196,518 B1 *	3/2001	Garrido-Lecca	B65D 43/12 221/1
D586,830 S *	2/2009	de Groote	D15/90
D673,190 S *	12/2012	Klemm	D15/90
D676,470 S *	2/2013	Norin	D15/90
D697,095 S *	1/2014	Chan	D15/90
D742,943 S *	11/2015	Parker	D15/90

* cited by examiner

Primary Examiner — Daniel Bui

Assistant Examiner — Khawaja Anwar

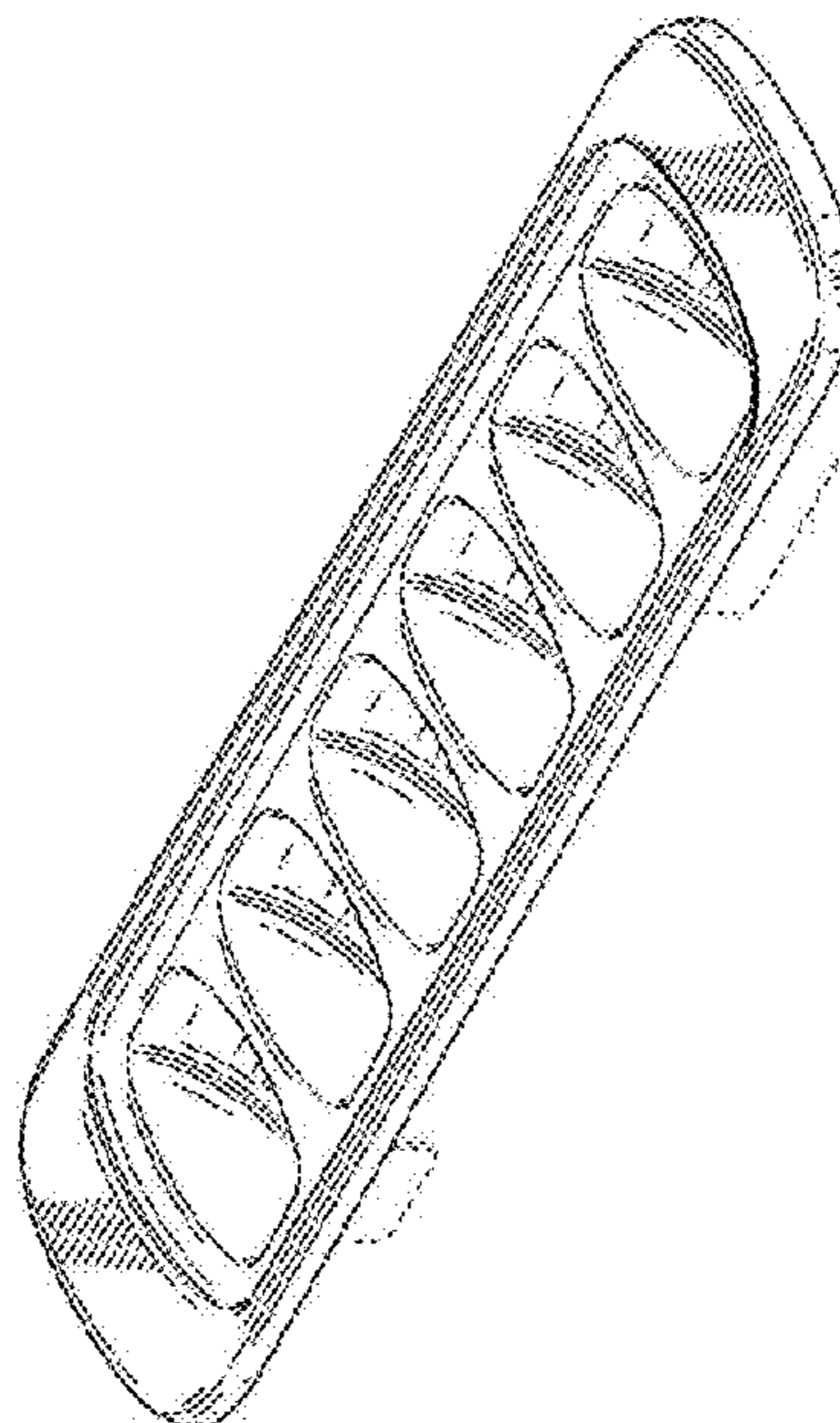
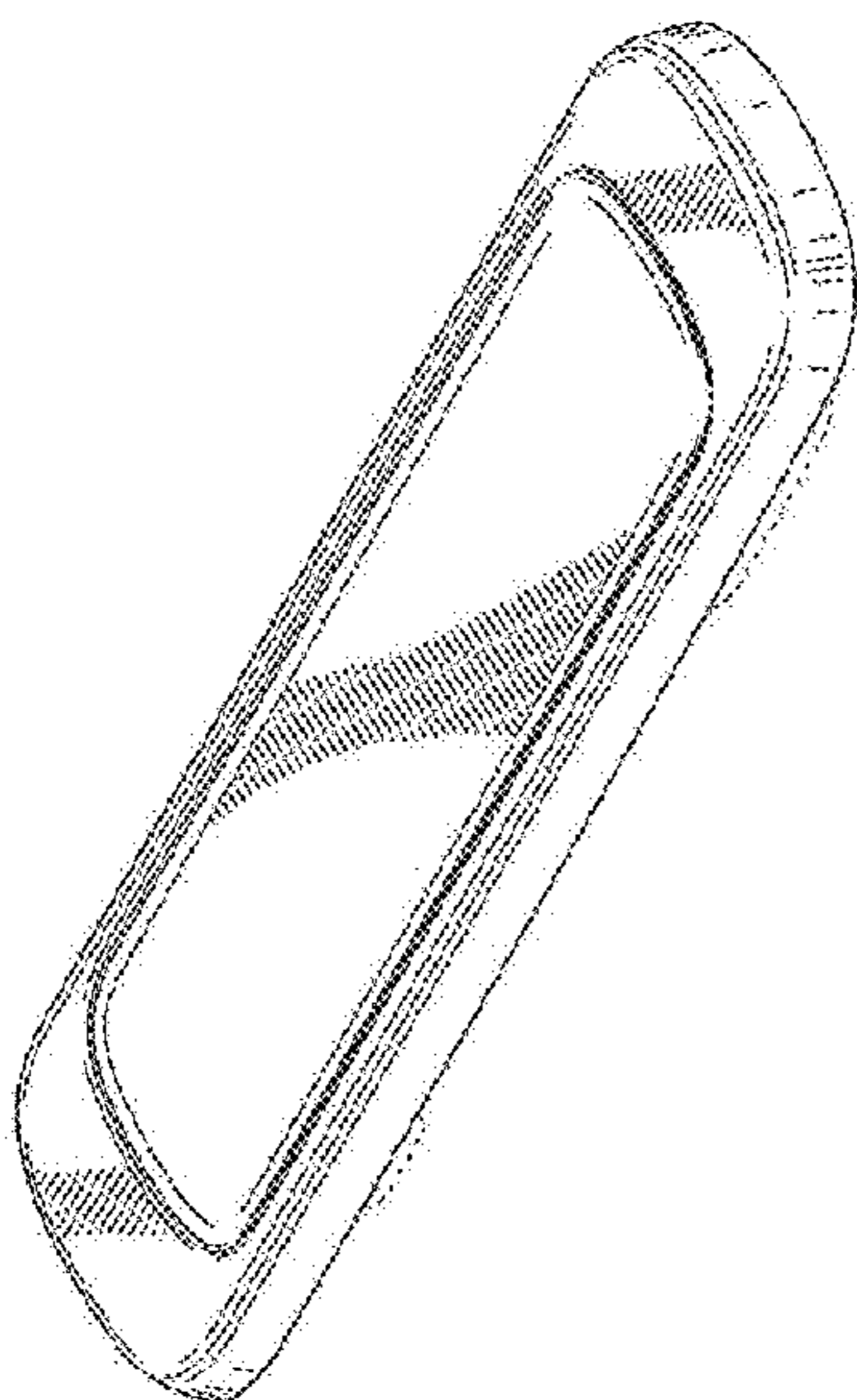
(57) **CLAIM**

The ornamental design for a freezer tray, as shown, and described.

DESCRIPTION

FIG. 1 is a perspective view of a freezer tray in a closed position, showing my new design;
FIG. 2 is a right side elevation view thereof;
FIG. 3 is a left side elevation view thereof;
FIG. 4 is a top plan view thereof;
FIG. 5 is a bottom plan view thereof;
FIG. 6 is an end side elevation view thereof;
FIG. 7 is a perspective view thereof, in an open position;
FIG. 8 is a right side elevation view thereof;
FIG. 9 is a left side elevation view thereof;
FIG. 10 is a top plan view thereof;
FIG. 11 is a bottom plan view thereof; and,
FIG. 12 is an end side elevation view thereof.
The broken lines shown in the drawings represent unclaimed environment only and form no part of the claimed design.

1 Claim, 12 Drawing Sheets



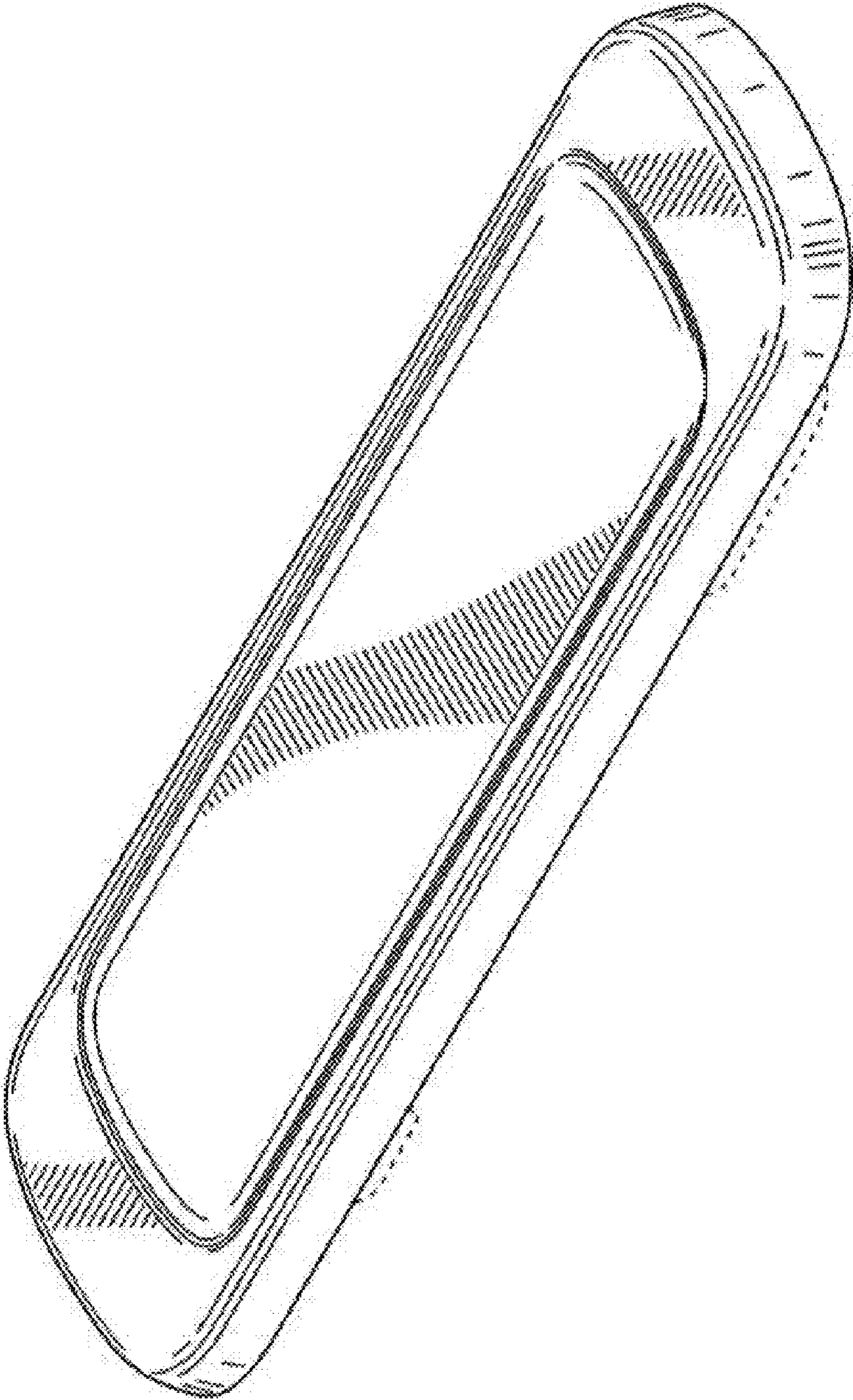


Figure 1

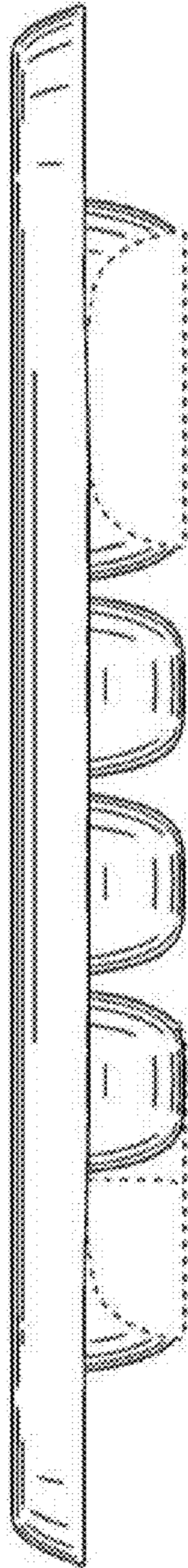


Figure 2

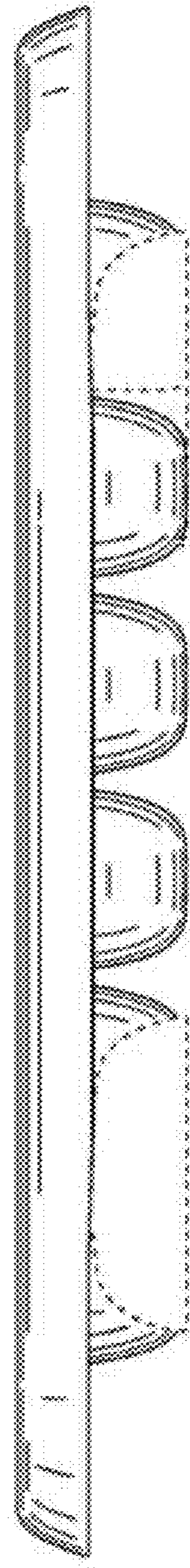


Figure 3

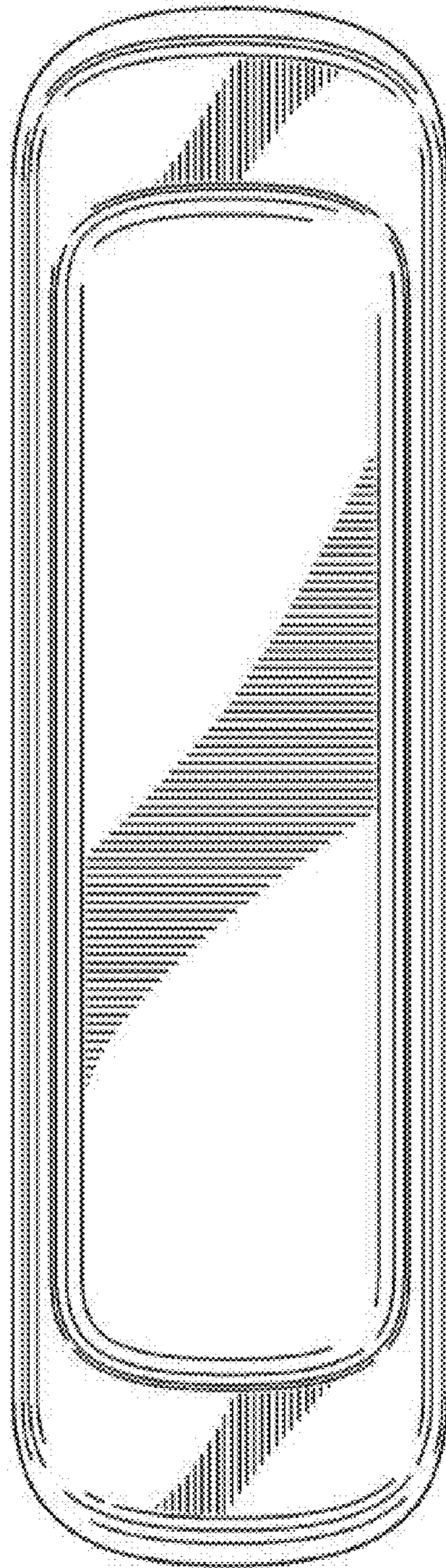


Figure 4

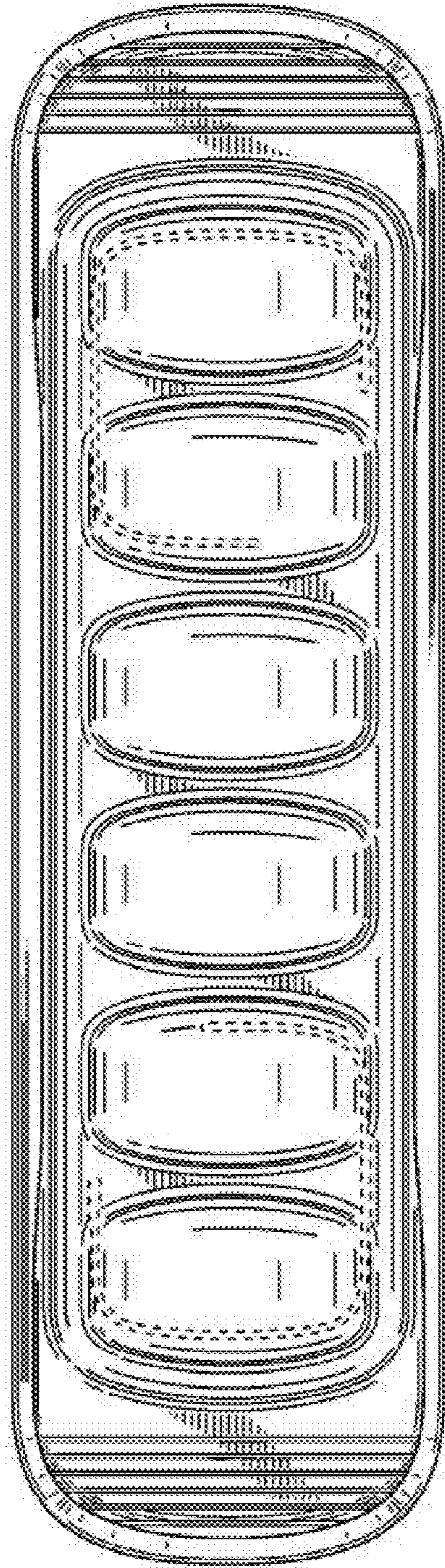


Figure 5



Figure 6

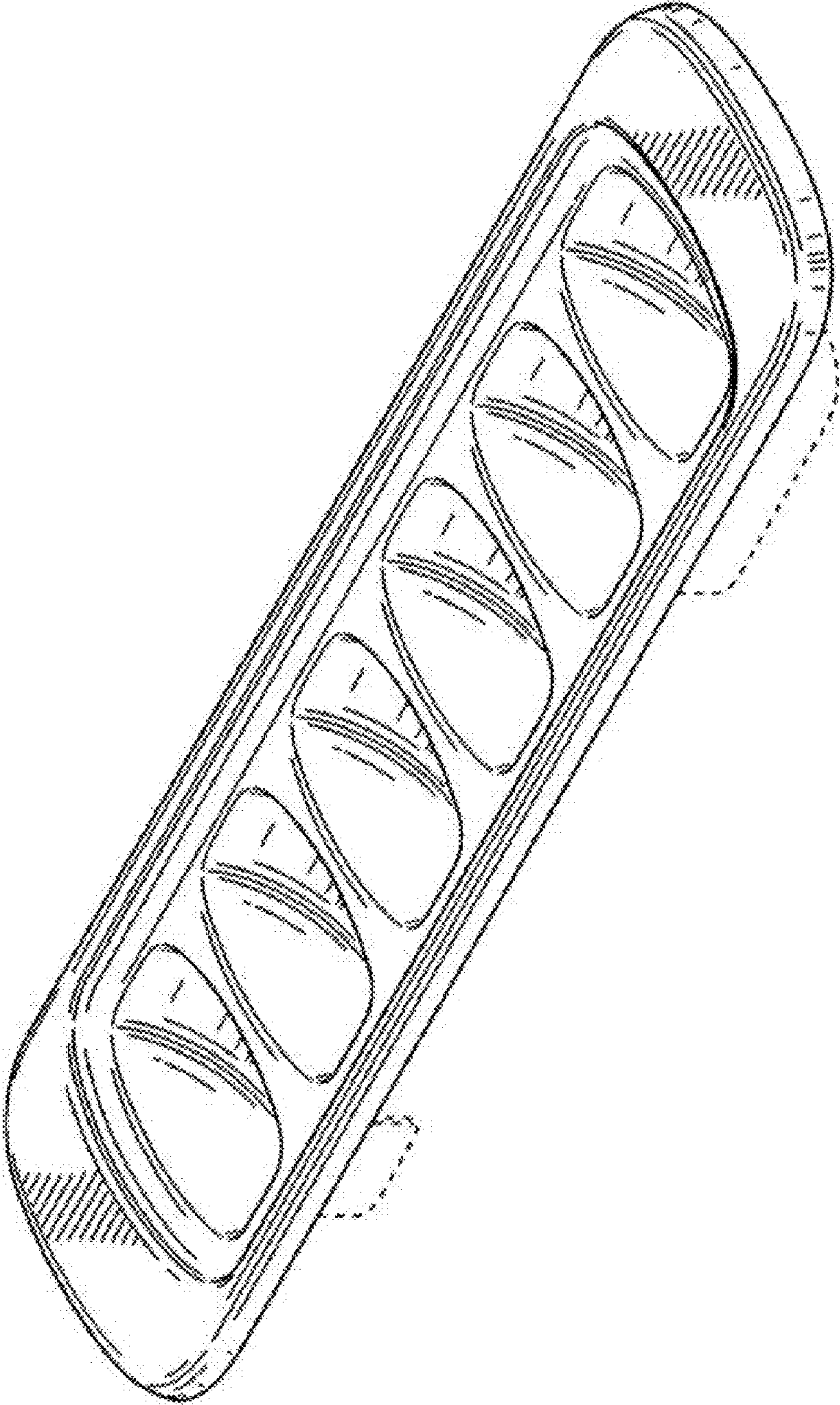


Figure 7

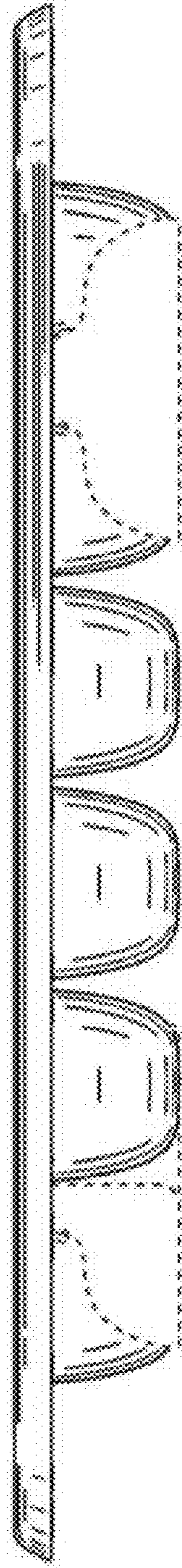


Figure 8

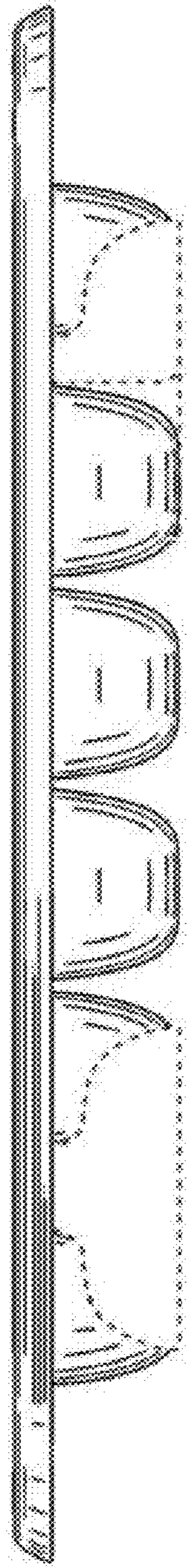


Figure 9

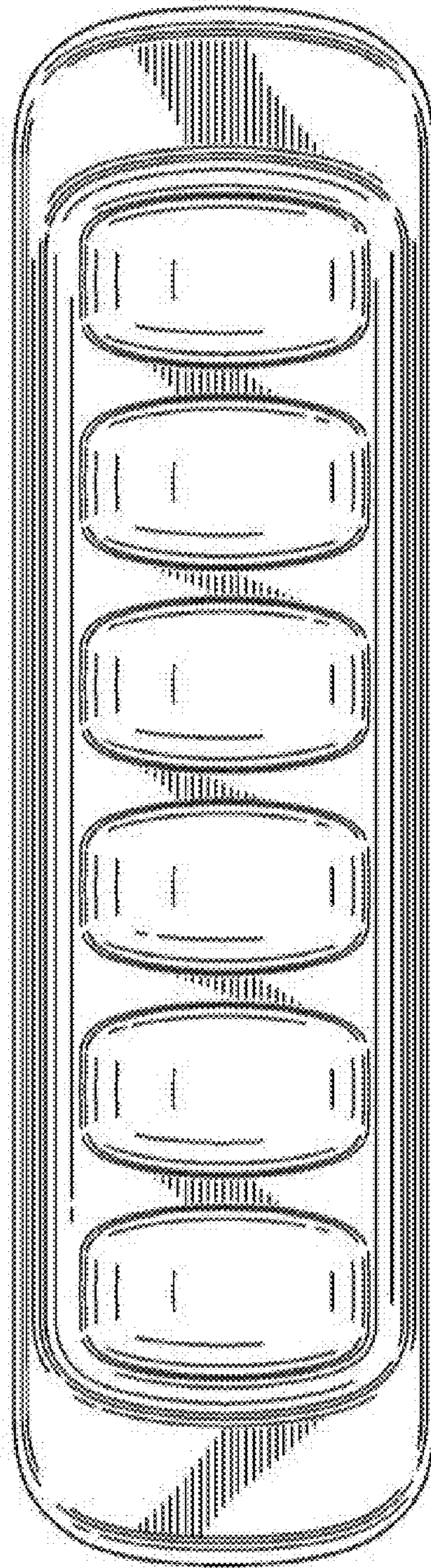


Figure 10

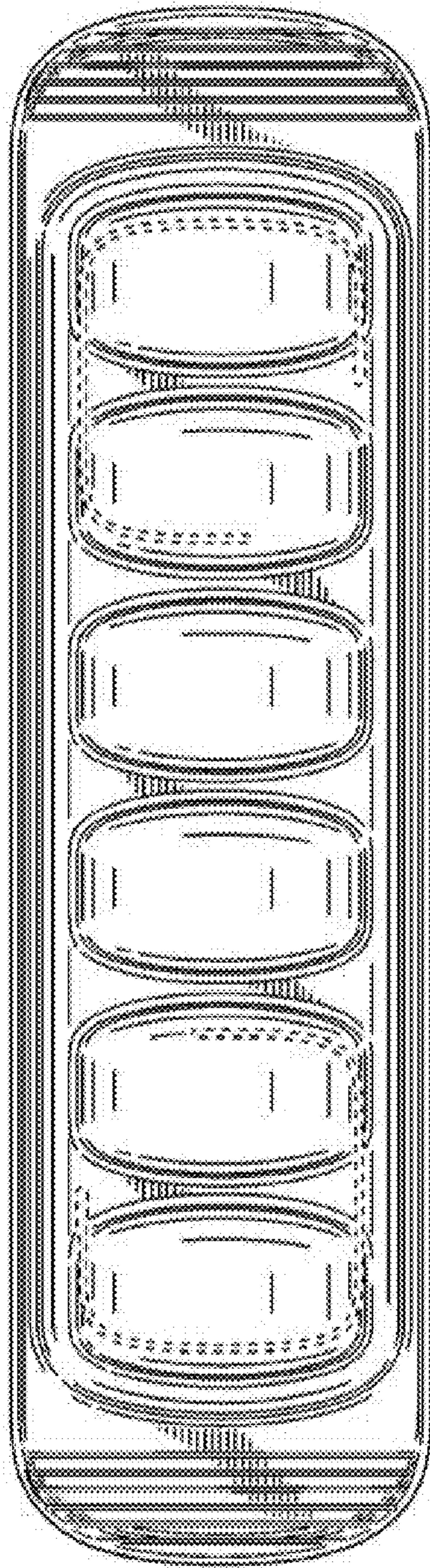


Figure 11

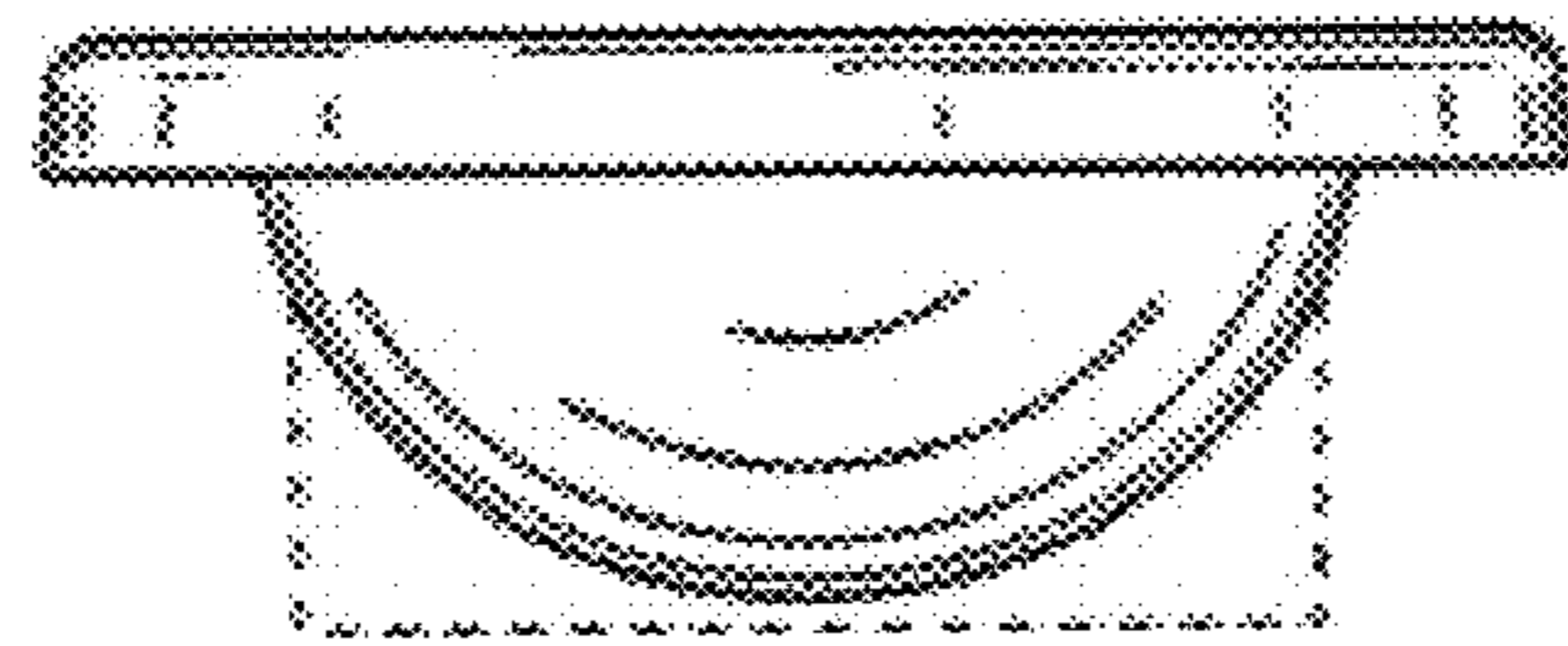


Figure 12