

US00D764551S

(12) **United States Design Patent**
Fowler et al.

(10) **Patent No.:** **US D764,551 S**

(45) **Date of Patent:** **** Aug. 23, 2016**

(54) **INFLATION DEVICE FOR DUNNAGE BAGS**

(71) Applicant: **Signode Industrial Group S.A. Proprietary Limited (Signode SA), Johannesburg (ZA)**

(72) Inventors: **Ryan Fowler, Ottery (ZA); Chris Shaw, Ottery (ZA); Bester Jacobus Pansegrouw, Ottery (ZA)**

(73) Assignee: **Signode Industrial S.A. Proprietary Limited (Signode SA), Johannesburg (ZA)**

(**) Term: **15 Years**

(21) Appl. No.: **29/527,237**

(22) Filed: **May 18, 2015**

(30) **Foreign Application Priority Data**

May 11, 2015 (CA) 162308

(51) **LOC (10) Cl.** **15-02**

(52) **U.S. Cl.**
USPC **D15/7**

(58) **Field of Classification Search**

USPC D15/7-9; D23/231, 232, 225; 417/60, 417/235, 265, 321, 355, 358, 363, 359, 417/410.1, 415-416, 405, 900; 60/408, 60/412; 184/26-37; 415/140-147; 123/495, 509; 137/565.34
CPC F02M 37/04; F02M 37/14
See application file for complete search history.

(56) **References Cited**

U.S. PATENT DOCUMENTS

D248,396 S * 7/1978 Sendak D15/7
D336,090 S * 6/1993 Lacorazza D15/7
D348,677 S * 7/1994 Phillips D15/7
D358,397 S * 5/1995 Phillips D15/7

D400,892 S * 11/1998 Williams D15/9
D415,500 S * 10/1999 Poon D15/7
D421,756 S * 3/2000 Bonzer D15/7
D423,519 S * 4/2000 Bonzer D15/9
D428,020 S * 7/2000 Bonzer D15/7
D467,593 S * 12/2002 Williams D15/7
D694,268 S * 11/2013 Ohm D15/7
D701,246 S * 3/2014 Cook D15/7
D724,624 S * 3/2015 Schlenker D15/7
D735,240 S * 7/2015 Cook D15/7
D738,402 S * 9/2015 Nelson D15/7
D739,441 S * 9/2015 Harkness D15/7

* cited by examiner

Primary Examiner — Ralf Seifert

(74) *Attorney, Agent, or Firm* — Neal, Gerber & Eisenberg LLP

(57) **CLAIM**

The ornamental design for an inflation device for dunnage bags, as shown and described.

DESCRIPTION

FIG. 1 is a top view of the inflation device for dunnage bags of the present design.

FIG. 2 is a front elevation view of the inflation device for dunnage bags of FIG. 1

FIG. 3 is a right side elevation view of the inflation device for dunnage bags of FIG. 1, with the left side being essentially a mirror image of the right side.

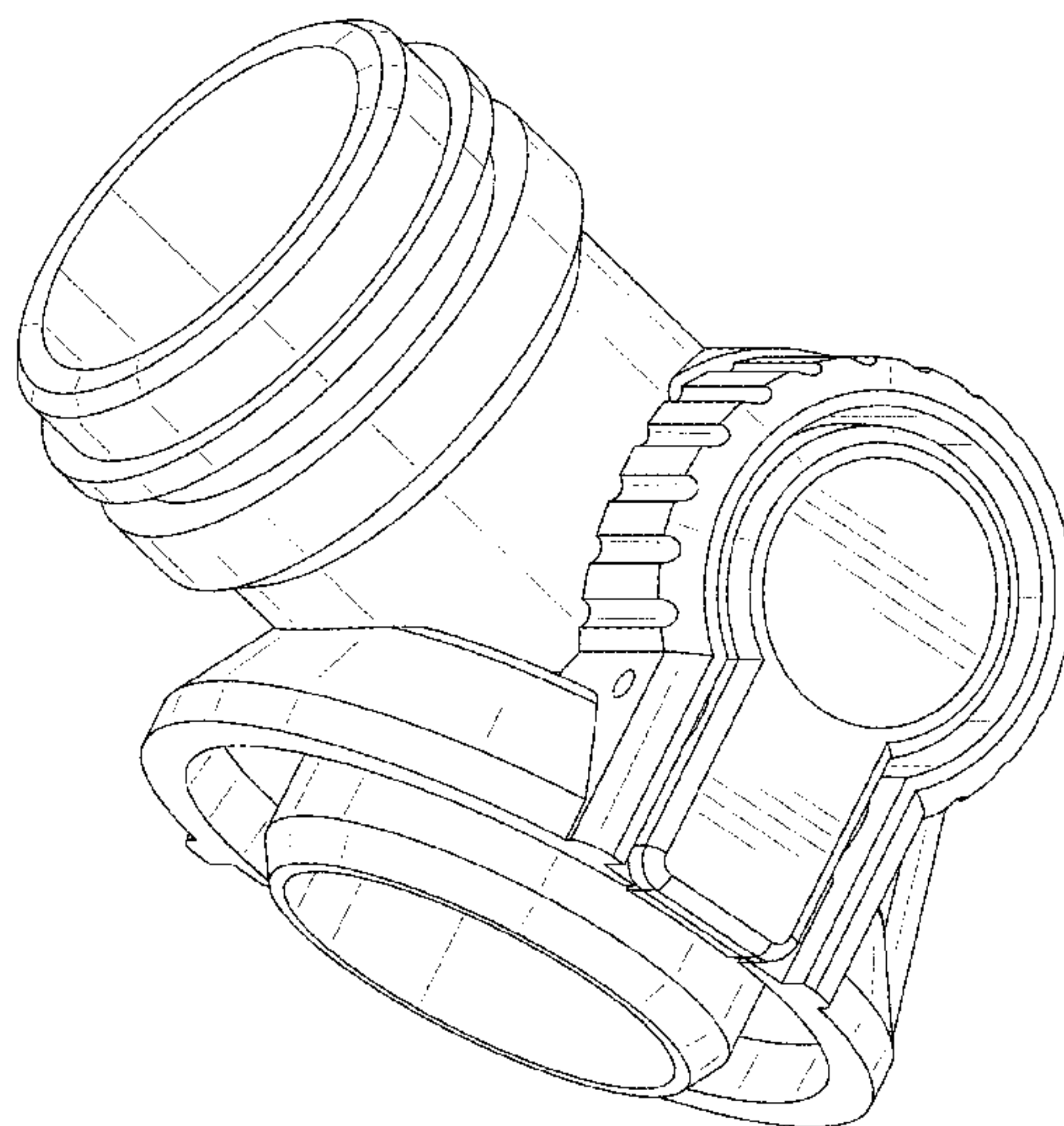
FIG. 4 is a rear elevation view of the inflation device for dunnage bags of FIG. 1.

FIG. 5 is a perspective view taken from the bottom, front, and right side of the inflation device for dunnage bags of FIG. 1; and,

FIG. 6 is a perspective view taken from the rear, right, and top of the inflation device for dunnage bags of FIG. 1.

The broken lines in FIG. 2 are included for the purpose of illustrating portions of the inflation device for dunnage bags that form no part of the claim design.

1 Claim, 6 Drawing Sheets



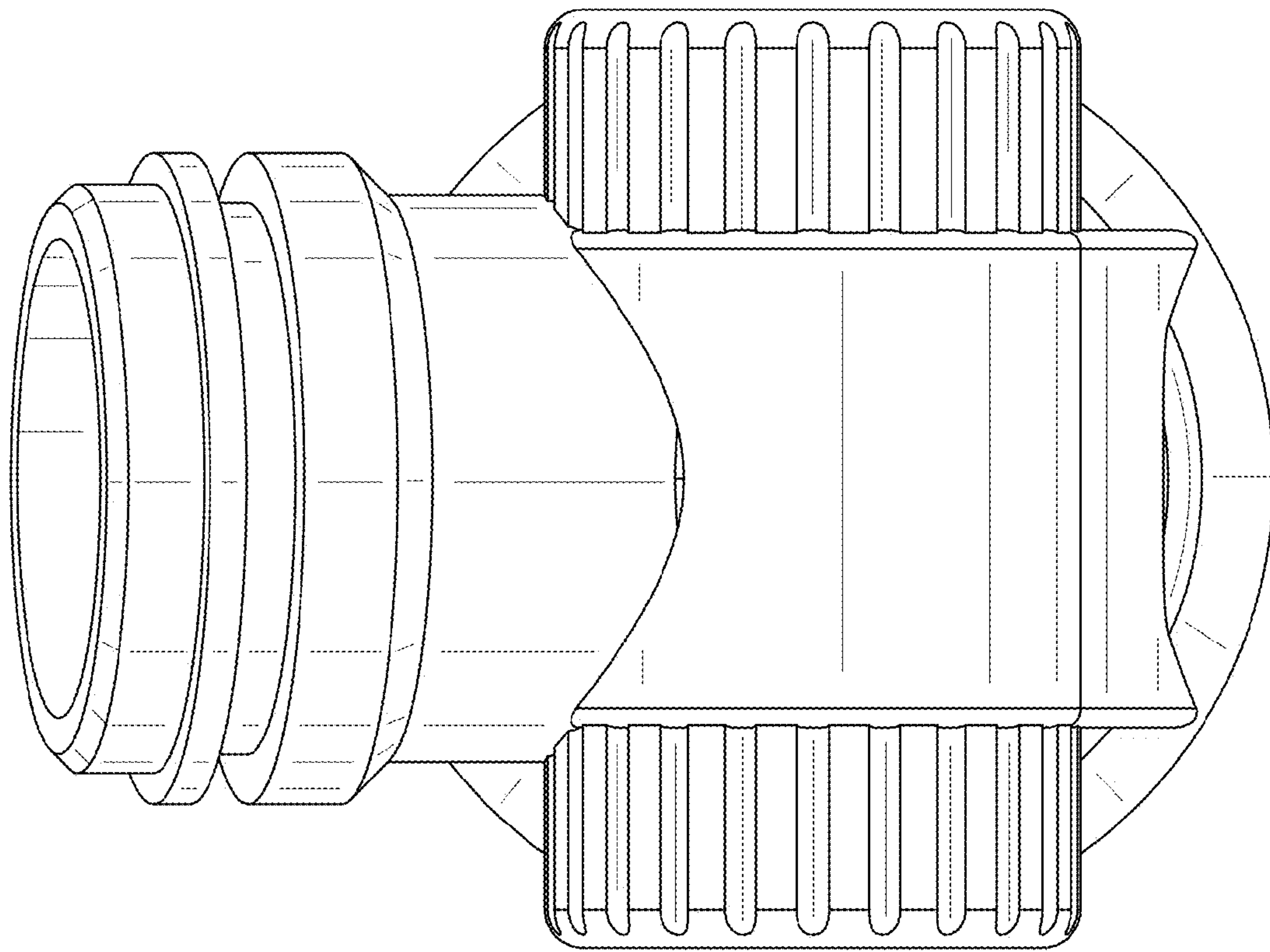


Fig. 1

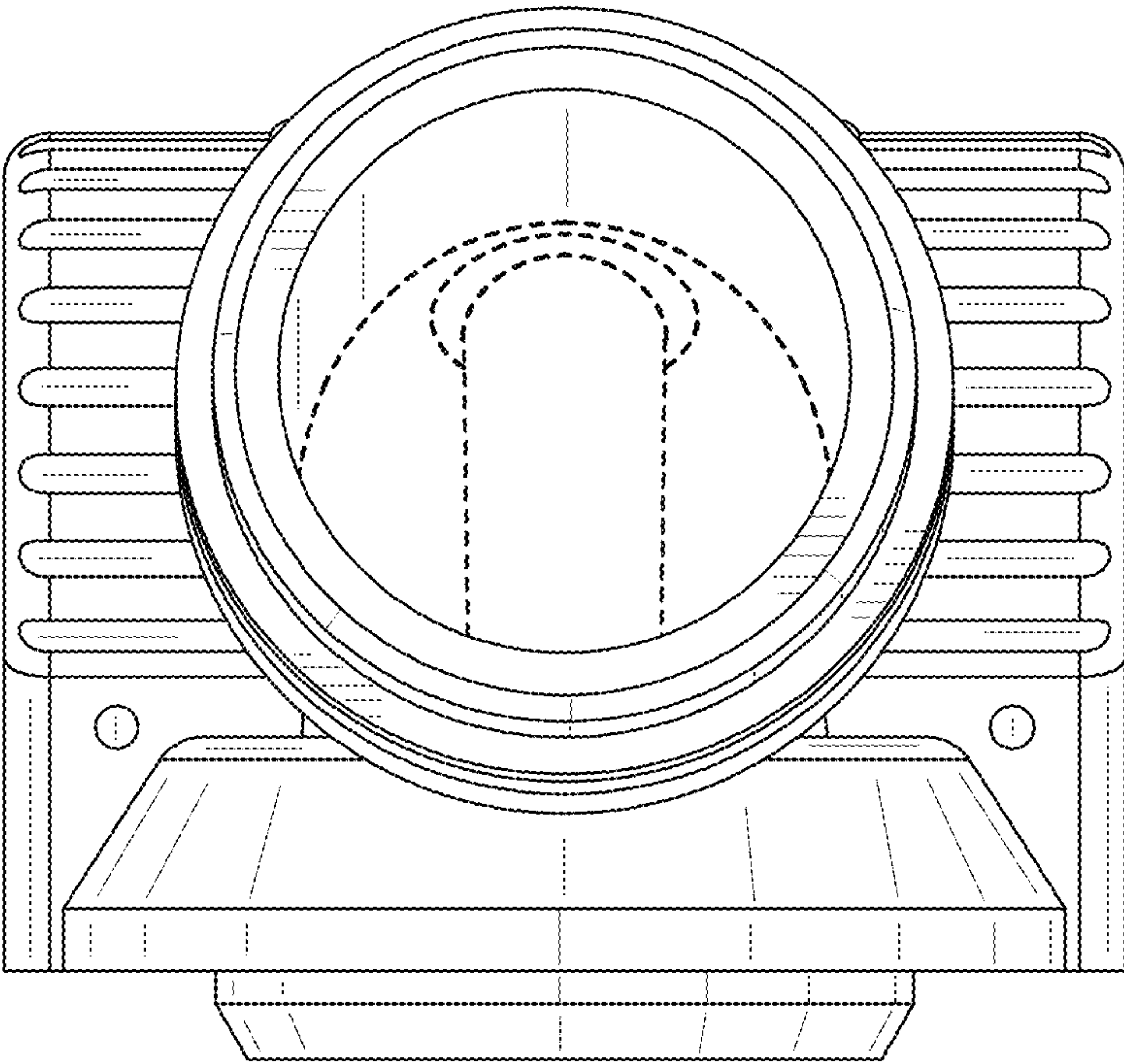


Fig. 2

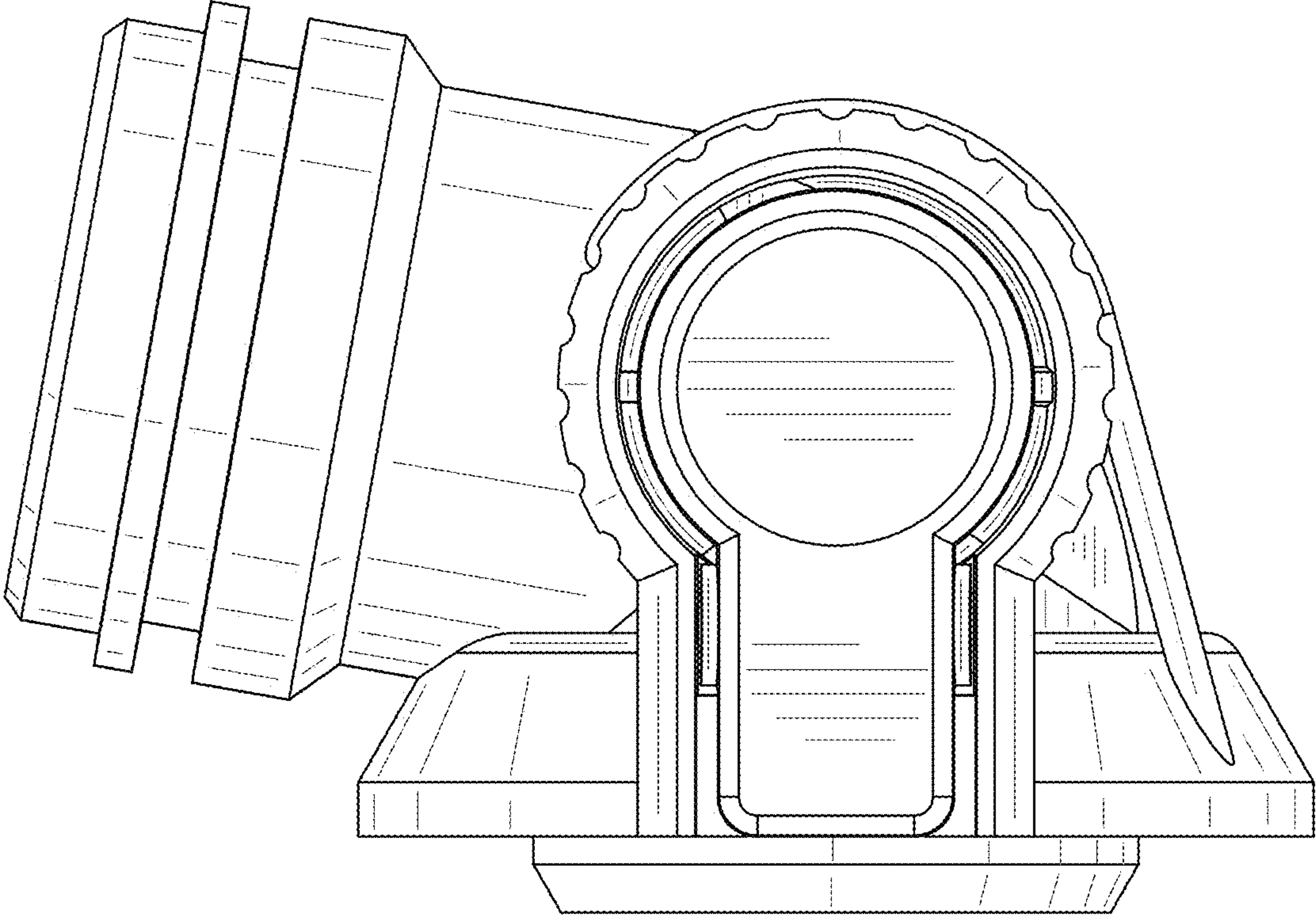


Fig. 3

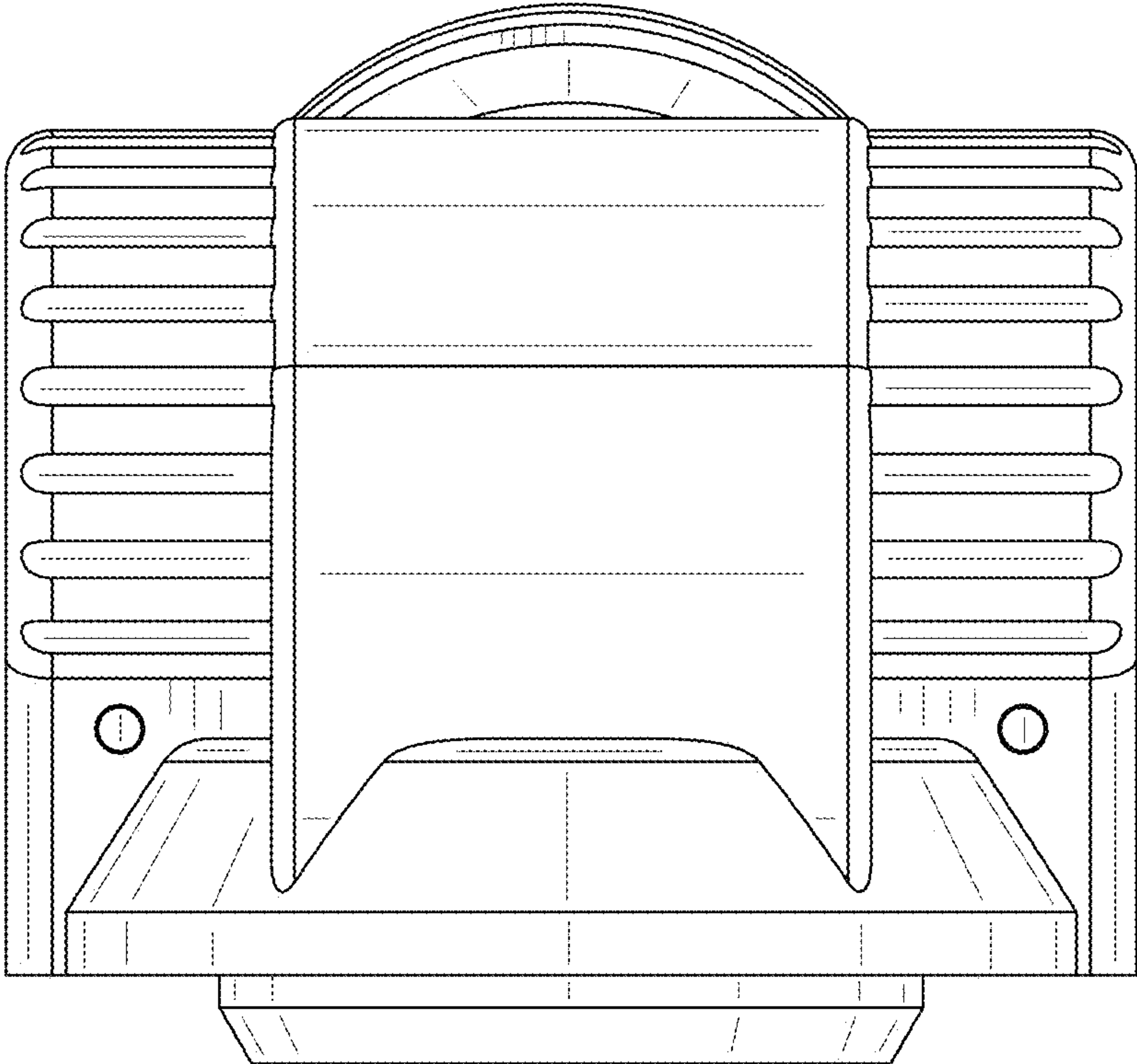


Fig. 4

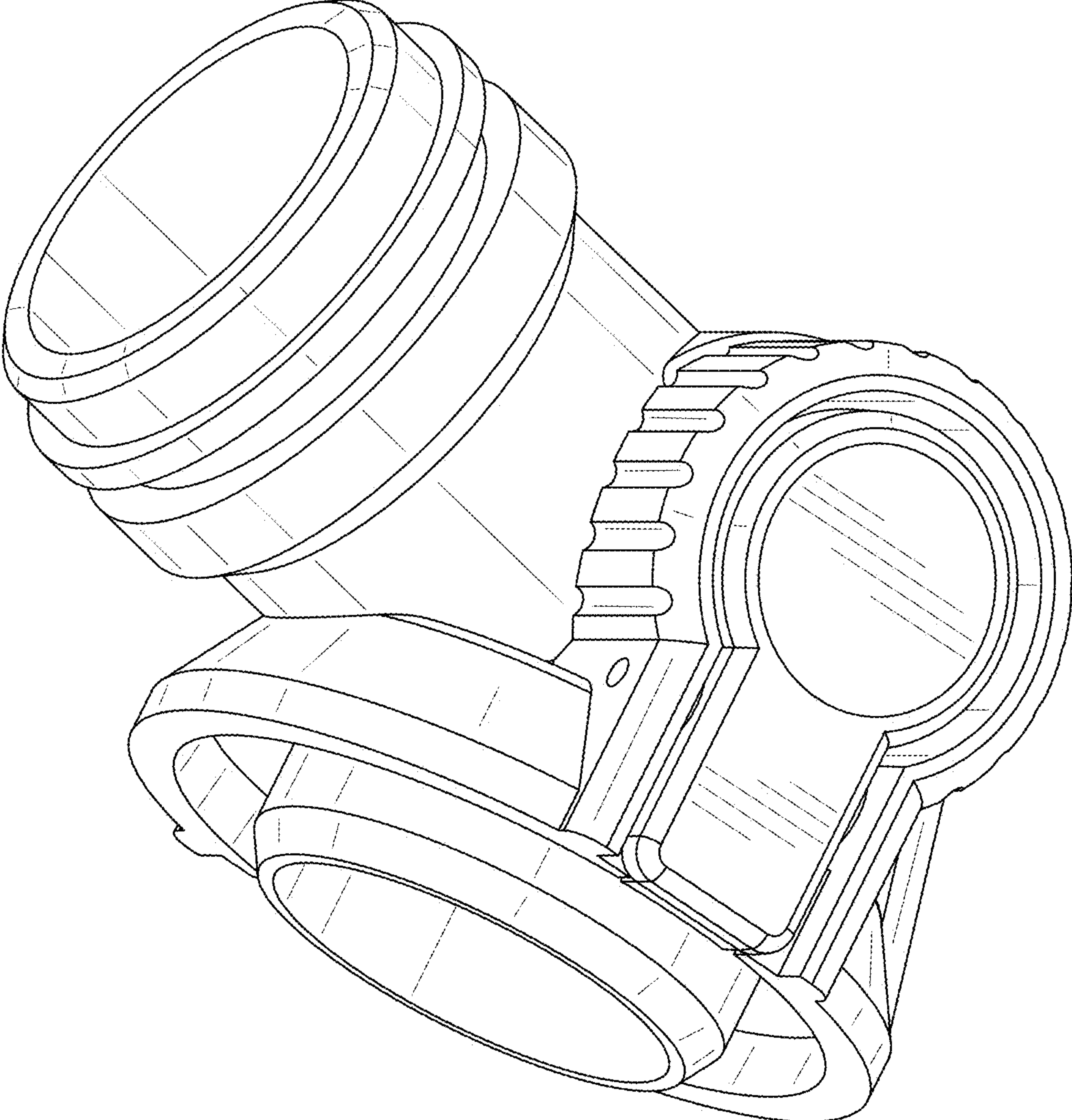


Fig. 5

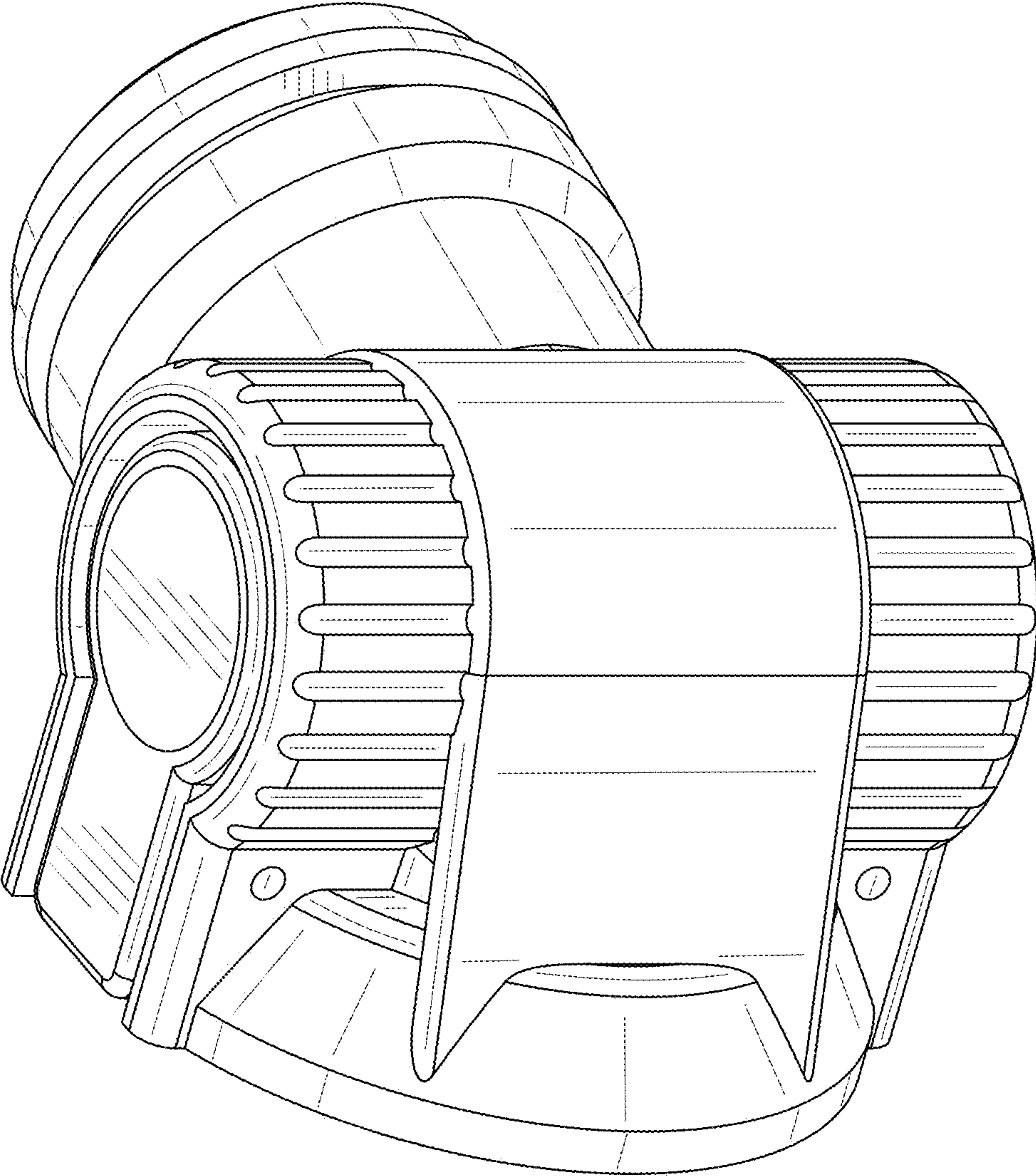


Fig. 6