



US00D764546S

(12) **United States Design Patent**
Boria

(10) **Patent No.:** **US D764,546 S**

(45) **Date of Patent:** **** Aug. 23, 2016**

(54) **DISPLAY SCREEN WITH AN ICON**

(71) Applicant: **Sikorsky Aircraft Corporation**,
Stratford, CT (US)

(72) Inventor: **Greg Boria**, Woodbury, CT (US)

(73) Assignee: **SIKORSKY AIRCRAFT CORPORATION**, Stratford, CT (US)

(**) Term: **14 Years**

(21) Appl. No.: **29/487,922**

(22) Filed: **Apr. 14, 2014**

(51) **LOC (10) Cl.** **14-04**

(52) **U.S. Cl.**
USPC **D14/492**

(58) **Field of Classification Search**
USPC D14/485, 486-495
CPC H04L 29/08684; H04L 29/5815;
G06F 3/04847; G06F 1/1692; G06F 3/04817;
G01C 21/36; G08G 1/0962; G08F 1/123
See application file for complete search history.

(56) **References Cited**

U.S. PATENT DOCUMENTS

D394,251 S *	5/1998	Arnone	D14/488
D581,941 S *	12/2008	Melander	D14/492
D650,793 S *	12/2011	Impas	D14/489
D651,613 S *	1/2012	Ouilhet	D14/491
D652,053 S *	1/2012	Impas	D14/489
8,155,806 B2	4/2012	Suddreth et al.	
8,354,943 B2	1/2013	Bacabara et al.	
D687,062 S *	7/2013	Gardner	D14/489
D701,517 S *	3/2014	Thornton	D14/486
D711,910 S *	8/2014	Inose	D14/489
D714,810 S *	10/2014	Lee	D14/485
D719,578 S *	12/2014	Inose	D14/485
D725,144 S *	3/2015	Johnson	D14/491
D726,196 S *	4/2015	van Os	D14/485
D730,364 S *	5/2015	Inose	D14/485
D743,438 S *	11/2015	Inose	D14/491
2007/0120856 A1 *	5/2007	De Ruyter	G06F 3/0481 345/440

2009/0150073 A1 *	6/2009	Caraballo	G01C 21/3682 701/414
2010/0131201 A1	5/2010	Bacabara et al.	
2011/0282759 A1 *	11/2011	Levin	G06Q 30/02 705/26.41
2012/0290977 A1 *	11/2012	Devecka	H04W 4/206 715/810
2013/0093612 A1 *	4/2013	Pschierer	G08G 5/0013 342/36
2013/0096819 A1 *	4/2013	Tarnok	G01C 21/00 701/428
2014/0068430 A1 *	3/2014	Wu	G06F 17/212 715/277
2014/0123072 A1 *	5/2014	Bhowmick	G06F 3/04817 715/838
2014/0181650 A1 *	6/2014	Polubinski	G06F 3/0482 715/702
2014/0223481 A1 *	8/2014	Fundament	H04N 21/482 725/40
2014/0344716 A1 *	11/2014	Martin	H04L 67/18 715/753

OTHER PUBLICATIONS

Adrian Frutiger, 1997, Watson-Guption Publications, Signs and Symbols: Their Design and Meaning, p. 24.*
Henry Dreyfus, 1972, Van Nostrand Reinhold Company, Symbol SourceBook, pp. 26-27; 172-173; 216-217.*

(Continued)

Primary Examiner — Karen E Kearney

Assistant Examiner — Alyse Joseph

(74) *Attorney, Agent, or Firm* — Cantor Colburn LLP

(57) **CLAIM**

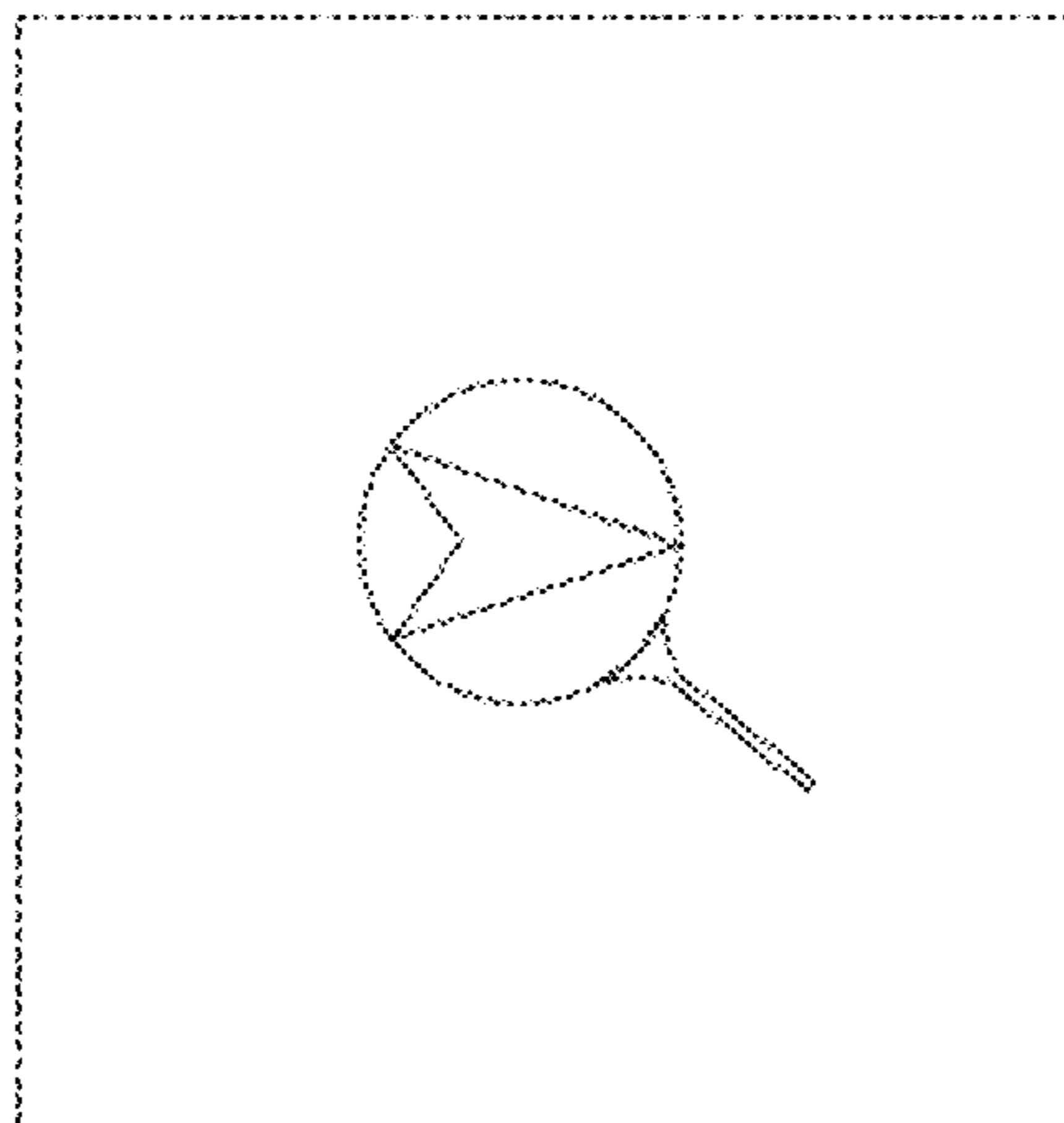
The ornamental design for a display screen with an icon, as shown and described.

DESCRIPTION

FIG. 1 is a front view of a display screen with an icon; and, FIG. 2 is a front view of a detail of the icon of FIG. 1 that is shown on a display screen.

In the drawings, the broken lines depict environmental subject matter only and form no part of the claimed design.

1 Claim, 1 Drawing Sheet



(56)

References Cited

OTHER PUBLICATIONS

Arrows icons,, posted at dreamstime.com, posting date not give, © 2000-2015 Maxborovkov | dreamstime.com, [site visited Oct. 14, 2015]. Available from internet: <<http://www.dreamstime.com/stock-photography-arrows-icons-image12956162>>.*

Stock Vector Illustration, posted at Shutterstock.com by John Rodygin, posting date not given, © 2003-2015 Shutterstock, Inc., [site visited Oct. 14, 2015]. Available from internet: <<http://www.shutterstock.com/pic-157930658/stock-vector-set-flat-arrow-icons-and-map-pointers-for-web-design-mobile-apps-and-buttons.html>>.*

Trimble GPS Hunt Pro, posted play.google.com, posting date not given, © 2016 Google, [site visited Mar. 17, 2015]. Available from internet:<<https://play.google.com/store/apps/details?id=com.trimble.outdoors.cabelas.hunt>>.*

Detailed Mapy of Spain with Bubble Icons, posted fotolia.com by Pomogayev, posting date not given, © 2016 Fotolia, [site visited Mar. 17, 2015]. Available from internet:<<https://www.fotolia.com/id/91096308>>.*

GPS Icon Set, posted shutterstock.com by blinkblink, posting date not given, © 2003-2016 Shutterstock, Inc., [site visited Mar. 17, 2015]. Available from internet:<<http://www.shutterstock.com/pic-69602815/stock-vector-gps-icon-set.html?src=qfgdNyBD3K8-h09DMWhGOA-1-2>>.*

iOS 6: Workarounds and how to deal with Apple Maps limitations, posted ismashphone.com by 8Bitjay, posted Sep. 21, 2012, © Smash Phone, [site visited Mar. 17, 2015]. Available from internet:<<http://ismashphone.com/2012/09/ios-6-workarounds-and-how-to-deal-with-apple-maps-limitations.html>>.*

* cited by examiner

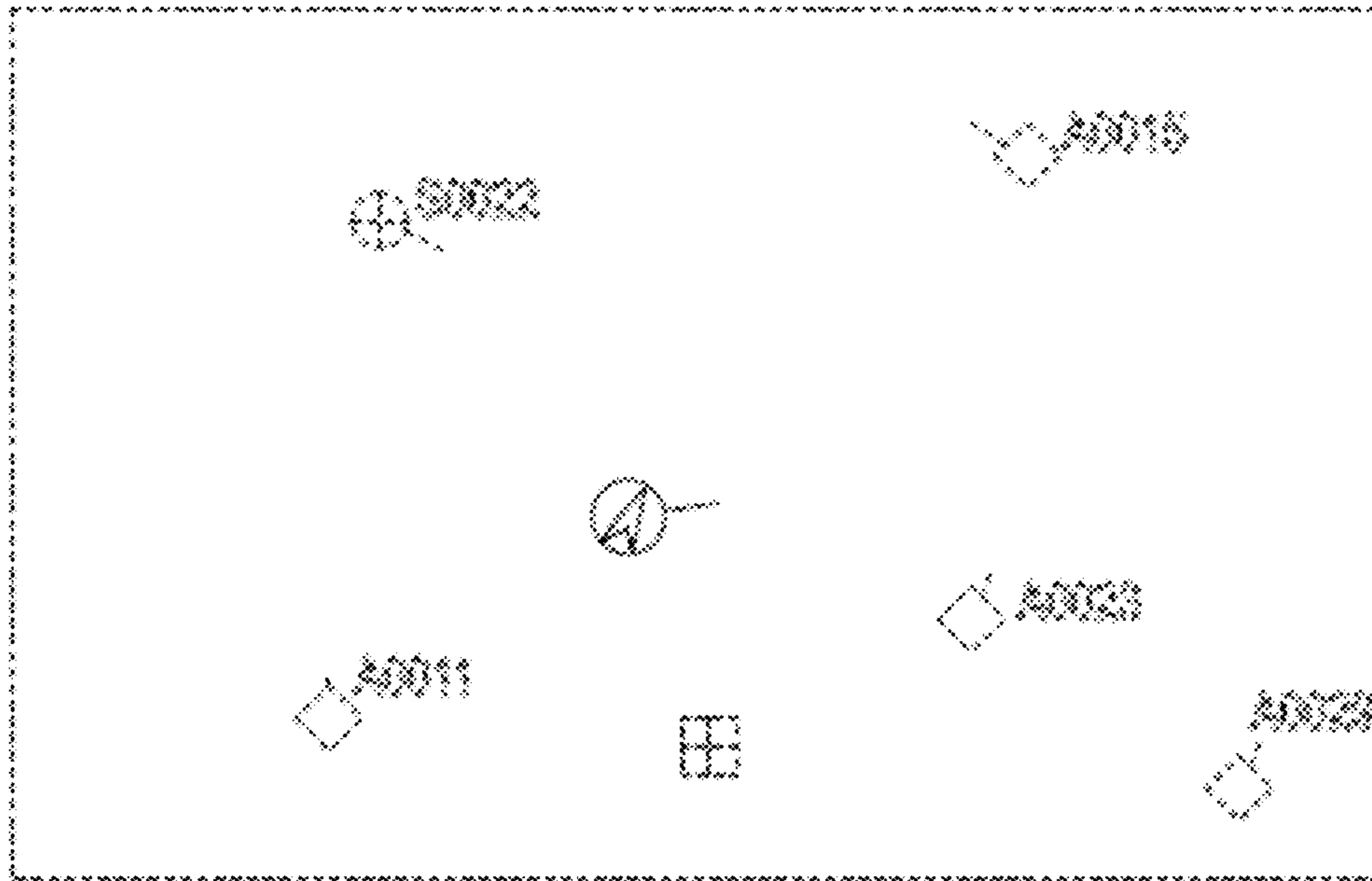


FIG. 1

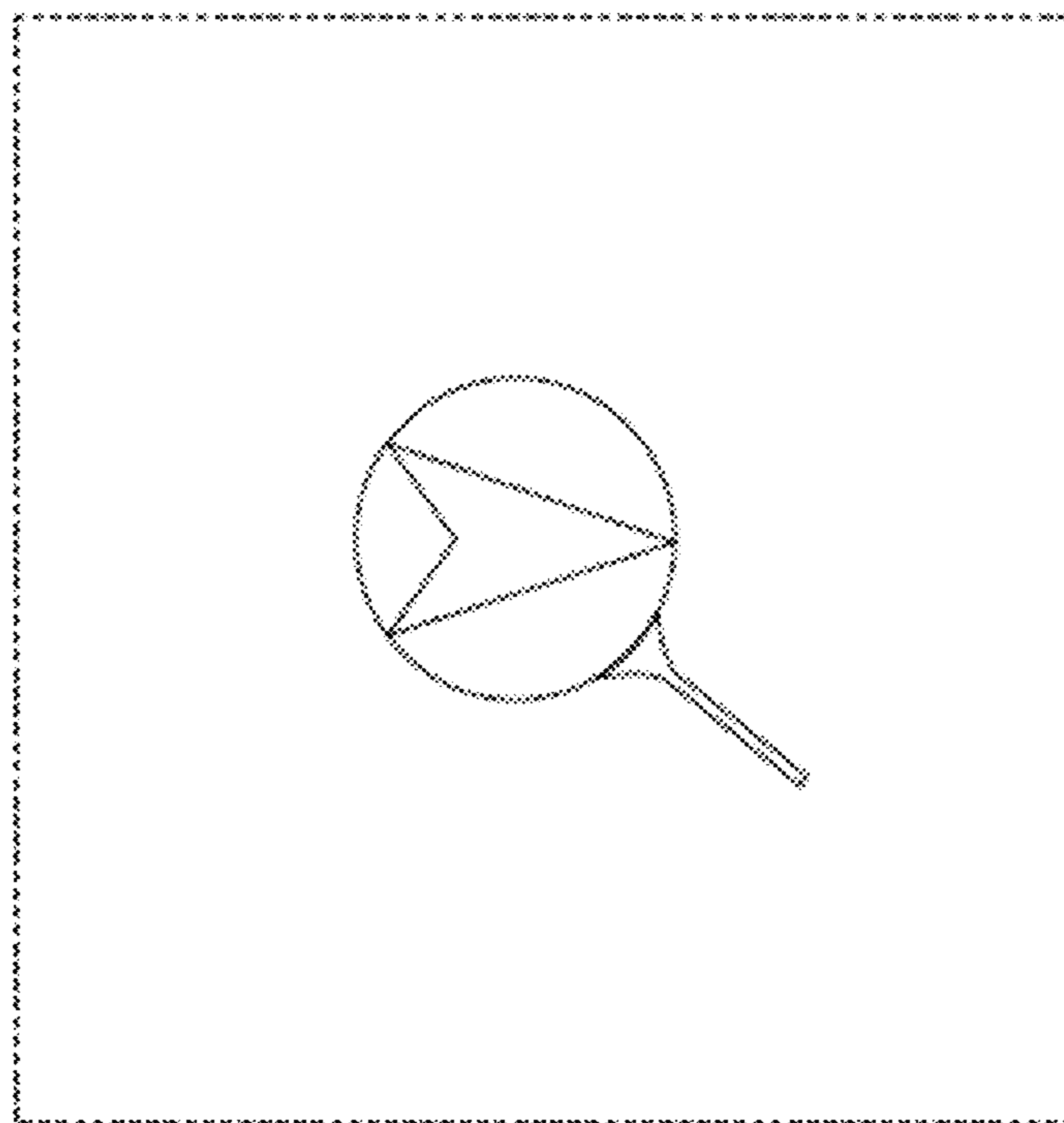


FIG. 2