

US00D764538S

(12) **United States Design Patent** (10) **Patent No.:** **US D764,538 S**
Lee et al. (45) **Date of Patent:** **** Aug. 23, 2016**

(54) **DISPLAY SCREEN OR PORTION THEREOF WITH GRAPHICAL USER INTERFACE**

(56) **References Cited**

(71) Applicant: **Samsung Electronics Co., Ltd.**,
Suwon-Si, Gyeonggi-Do (KR)

U.S. PATENT DOCUMENTS

(72) Inventors: **Min Sun Lee**, Seoul (KR); **Olivia Lee**,
Seoul (KR); **Han Chul Jung**,
Seongnam-si (KR)

D642,195	S	*	7/2011	Marks	D14/490
D645,873	S	*	9/2011	Cavanaugh	D14/488
D695,311	S	*	12/2013	Jang	D14/491
8,989,713	B2	*	3/2015	Doulton	H04L 12/5835 455/413
D728,614	S	*	5/2015	Moon	D14/489
D731,542	S	*	6/2015	Clement	D14/489
D734,767	S	*	7/2015	Kadosh	D14/485
D743,414	S	*	11/2015	Shunock	D14/485
D748,111	S	*	1/2016	Yun	D14/485
D748,645	S	*	2/2016	Kim	D14/485
D750,665	S	*	3/2016	Park	D14/492
D752,107	S	*	3/2016	Yun	D14/495
2015/0153844	A1	*	6/2015	Jung	G06F 3/0354 345/158

(73) Assignee: **Samsung Electronics Co., Ltd.**,
Gyeonggi-do (KR)

(**) Term: **14 Years**

* cited by examiner

(21) Appl. No.: **29/498,874**

Primary Examiner — Sheryl Lane

(22) Filed: **Aug. 8, 2014**

Assistant Examiner — Katherine Glennon

(30) **Foreign Application Priority Data**

(74) *Attorney, Agent, or Firm* — Harness, Dickey & Pierce

Feb. 11, 2014 (KR) 30-2014-0006878

(57) **CLAIM**

(51) **LOC (10) Cl.** **14-04**

The ornamental design for a display screen or portion thereof with graphical user interface, as shown and described.

(52) **U.S. Cl.**

DESCRIPTION

USPC **D14/489**; D14/491

(58) **Field of Classification Search**

USPC D14/485–495

CPC .. G06F 3/0481; G06F 3/0482; G06F 3/0484;

G06F 3/0487; G06F 3/04817; G06F 3/04842;

G06F 3/04883; G06F 3/04804; G06F

3/03547; H04N 5/44582; H04N 5/4403;

H04N 5/44543; H04N 5/44591; H04N

5/00424; H04N 21/47; H04N 21/4316;

H04N 21/4312; H04N 21/4403

See application file for complete search history.

FIG. 1 is the front view for a display screen or portion thereof with graphical user interface showing our new design; and,

FIG. 2 is the enlarged front view of the graphical user interface of FIG. 1 for clarity of disclosure.

The outermost broken line in FIG. 1 represents the display screen or portion thereof and forms no part of the claimed design. The broken lines in FIG. 1 within the display screen showing text and graphical elements represent portions of the display screen that form no part of the claimed design.

1 Claim, 2 Drawing Sheets

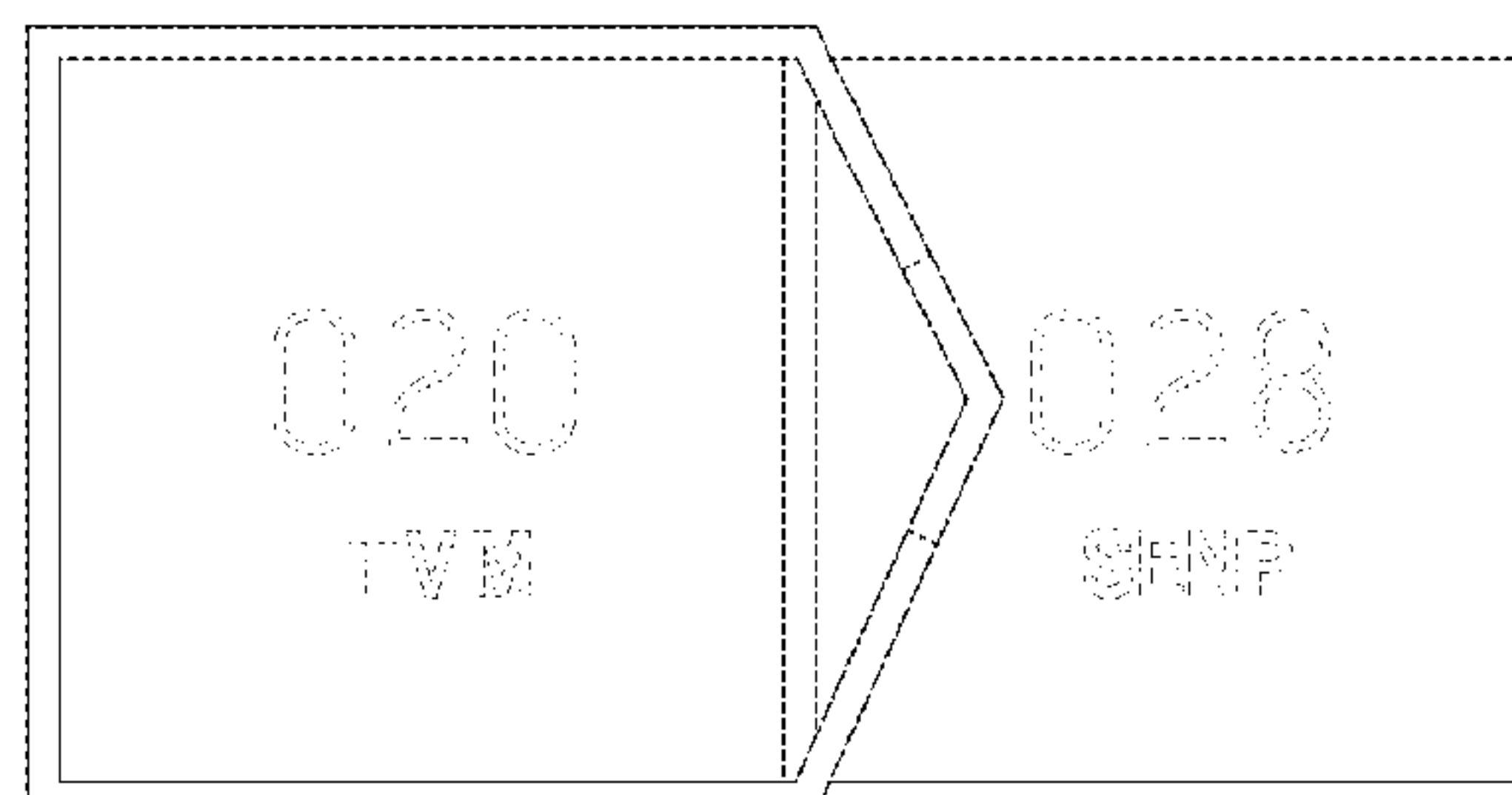
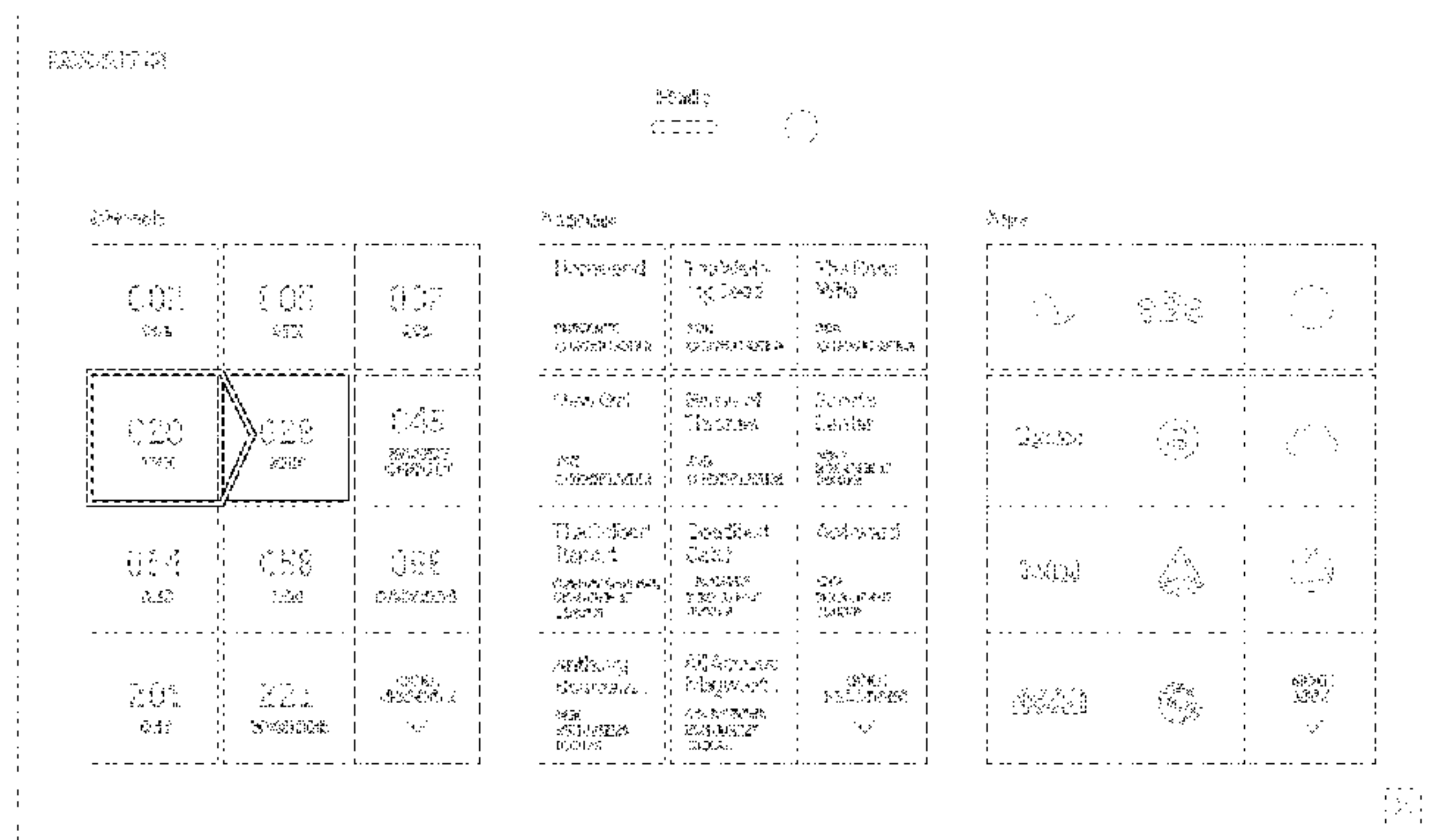


FIG. 1

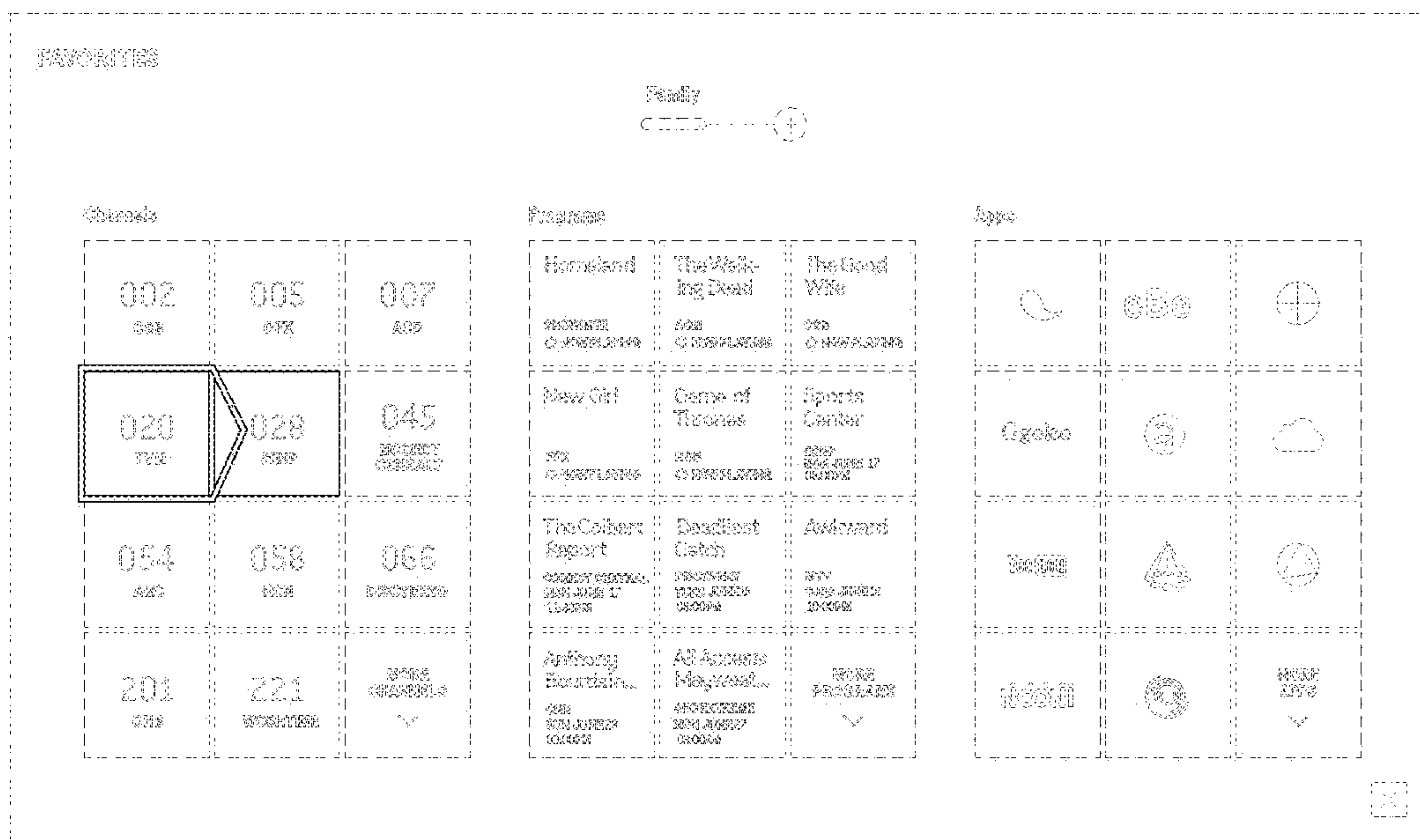


Fig. 2

