

US00D764529S

(12) **United States Design Patent** (10) **Patent No.:** **US D764,529 S**  
**Murillo et al.** (45) **Date of Patent:** **\*\* Aug. 23, 2016**

(54) **DISPLAY SCREEN WITH TRANSITIONAL GRAPHICAL USER INTERFACE**

D681,052 S 4/2013 Woo  
8,428,830 B2 \* 4/2013 Diekhans ..... A01D 41/127  
701/50

(71) Applicant: **Microsoft Corporation**, Redmond, WA (US)

D681,667 S 5/2013 Phelan  
D681,673 S 5/2013 Phelan  
D682,882 S \* 5/2013 Cahill ..... D14/490  
D688,699 S 8/2013 Gleasman  
D701,878 S \* 4/2014 Cahill ..... D14/488  
D703,224 S \* 4/2014 Skidgel ..... D14/486  
D703,683 S \* 4/2014 Skidgel ..... D14/486

(72) Inventors: **Oscar E. Murillo**, Redmond, WA (US);  
**Aaron Naoyoshi Sheung Yan Woo**,  
Bellevue, WA (US); **Janis Buesching**,  
Kirkland, WA (US); **Matthew  
Hartman**, Redmond, WA (US)

(Continued)

OTHER PUBLICATIONS

(73) Assignee: **Microsoft Corporation**, Redmond, WA (US)

U.S. Appl. No. 29/474,919, filed Mar. 17, 2015.

(Continued)

(\*\*) Term: **14 Years**

*Primary Examiner* — Cathron Brooks

(21) Appl. No.: **29/520,793**

*Assistant Examiner* — Christian P McLean

(22) Filed: **Mar. 18, 2015**

(74) *Attorney, Agent, or Firm* — Banner & Witcoff, Ltd.

(51) **LOC (10) Cl.** ..... **14-04**

(57) **CLAIM**

(52) **U.S. Cl.**  
USPC ..... **D14/488**; D14/494

The ornamental design for a display screen with transitional graphical user interface, as shown and described.

(58) **Field of Classification Search**  
USPC ..... D14/485–495; 701/400–541; 715/763,  
715/810, 836, 837, 846, 847, 977

**DESCRIPTION**

CPC .. G06F 3/048; G06F 3/0481; G06F 3/04812;  
G06F 3/04817; G06F 3/0482; G06F 3/0483;  
G06F 3/0484; G06F 3/04855; G06F 3/0488;  
G06F 3/04883; G06F 3/04886; G06Q 30/00  
See application file for complete search history.

FIG. 1 is the first image in a sequence for a display screen with transitional graphical user interface showing our new design;

FIG. 2 is the second image thereof;

FIG. 3 is the third image thereof; and,

FIG. 4 is the fourth image thereof.

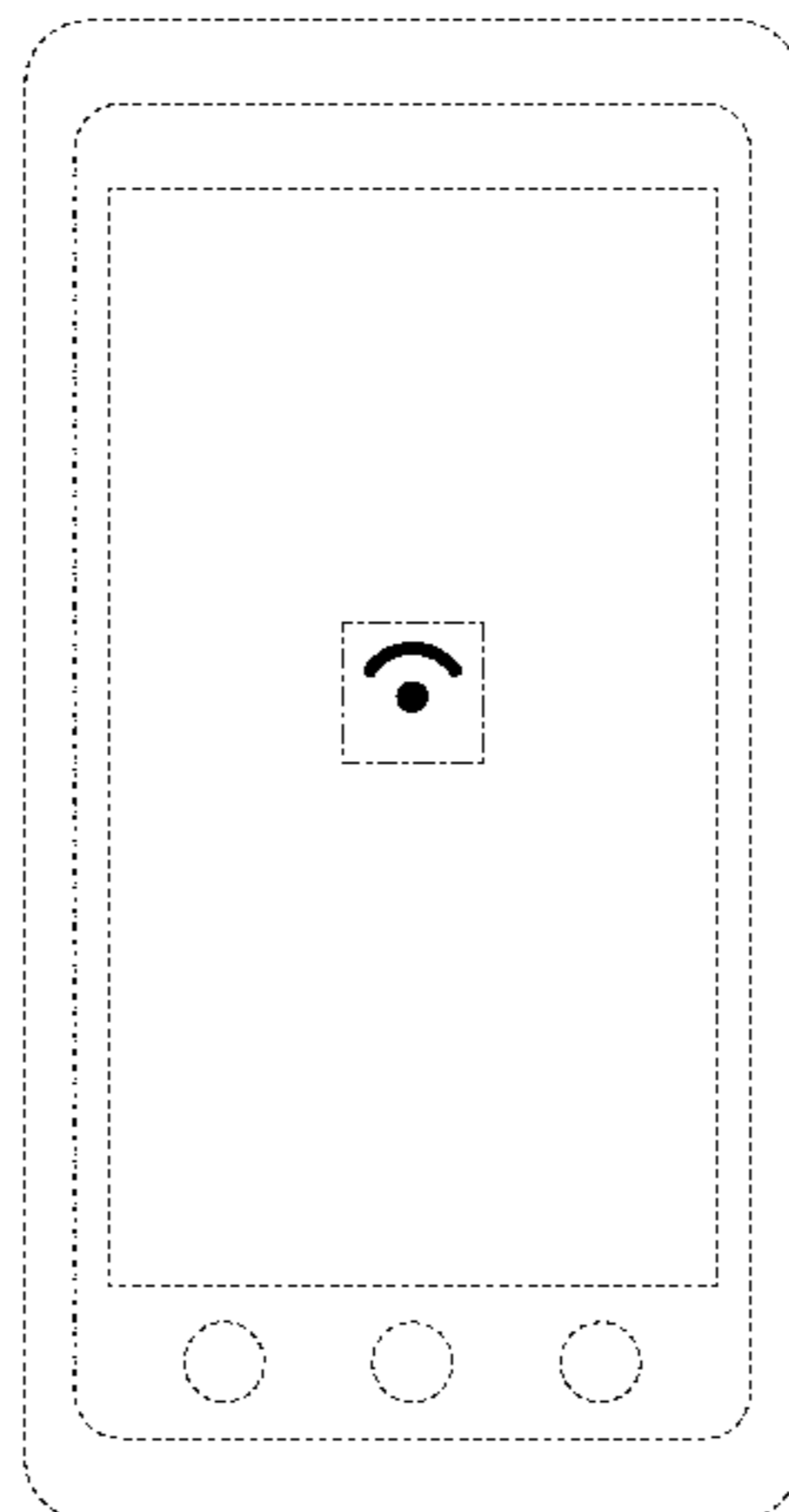
The appearance of the animated graphical user interface sequentially transitions between the images shown in FIGS. 1-4. The process or period in which one image transitions to another forms no part of the claimed design. The even-length broken line showing of a mobile device and display screen illustrates the environment of the article and forms no part of the claimed design. The remaining broken lines of uneven-length, showing a portion of a display screen, form no part of the claimed design.

(56) **References Cited**

U.S. PATENT DOCUMENTS

D545,839 S 7/2007 Haldimann et al.  
D580,451 S 11/2008 Steele et al.  
D587,726 S \* 3/2009 Tarara ..... D14/494  
D642,198 S \* 7/2011 Guss ..... D14/495  
D645,880 S \* 9/2011 Guss ..... D14/495  
D645,881 S \* 9/2011 Guss ..... D14/495  
D660,317 S \* 5/2012 Jesberger ..... D14/495  
D677,271 S 3/2013 Phelan  
D678,901 S 3/2013 Gleasman

**1 Claim, 4 Drawing Sheets**



(56)

**References Cited**

D742,413 S 11/2015 Torres et al.

U.S. PATENT DOCUMENTS

OTHER PUBLICATIONS

D703,684 S \* 4/2014 Morse ..... D14/486  
D705,252 S \* 5/2014 Cahill ..... D14/488  
D706,814 S 6/2014 Phelan  
D727,335 S \* 4/2015 Allison ..... D14/485

U.S. Appl. No. 29/474,921, filed Mar. 17, 2015.

\* cited by examiner

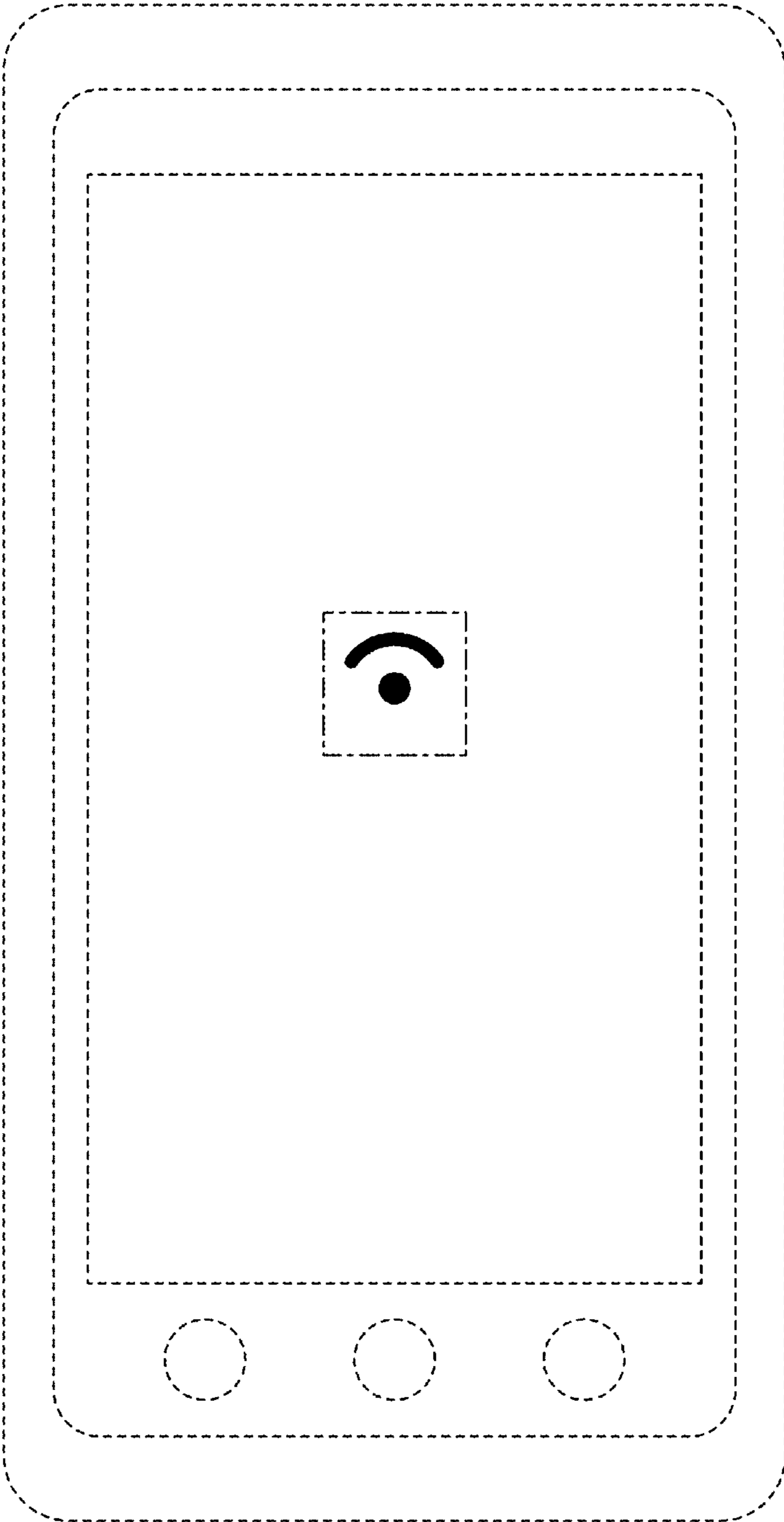


FIG. 1

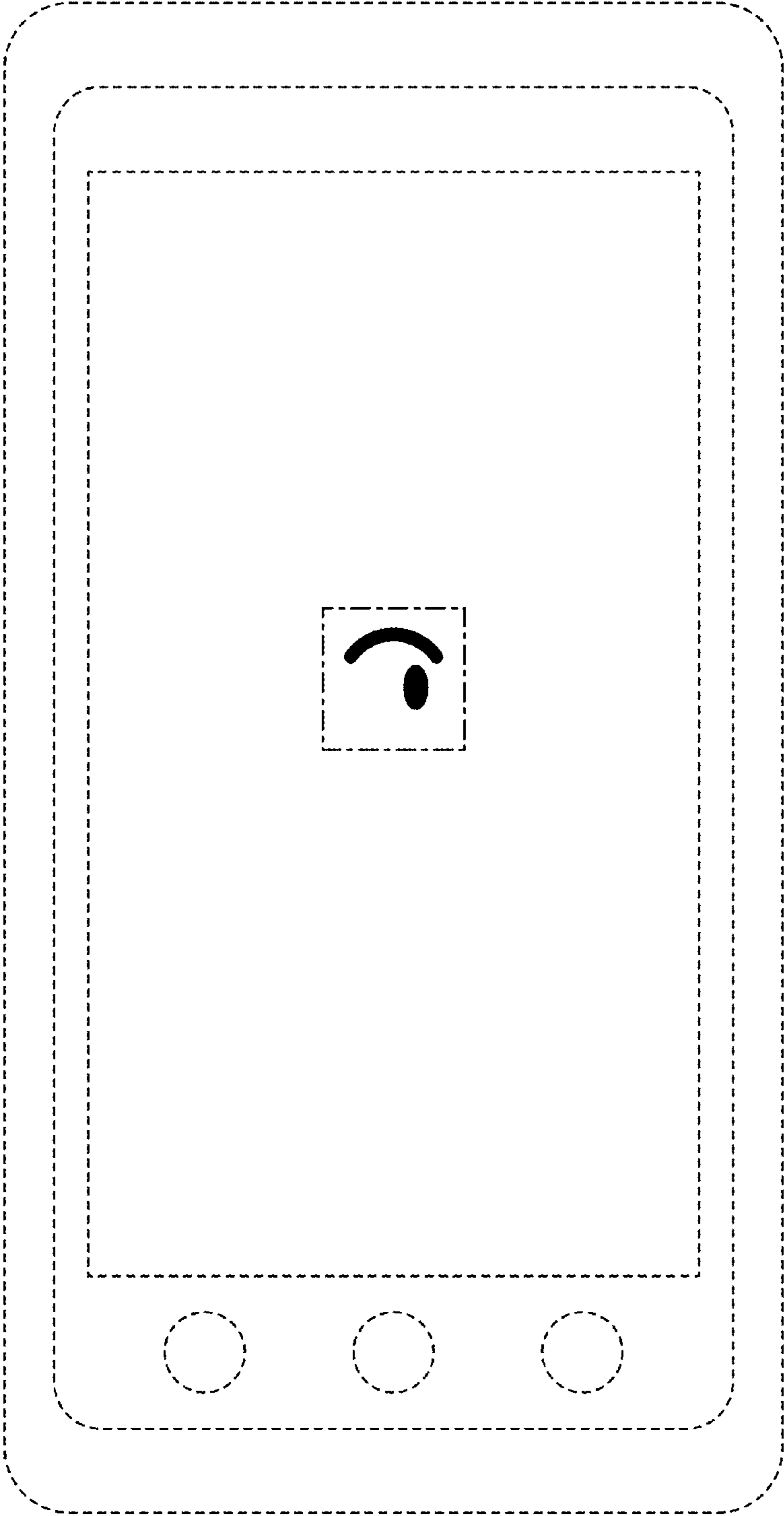


FIG. 2

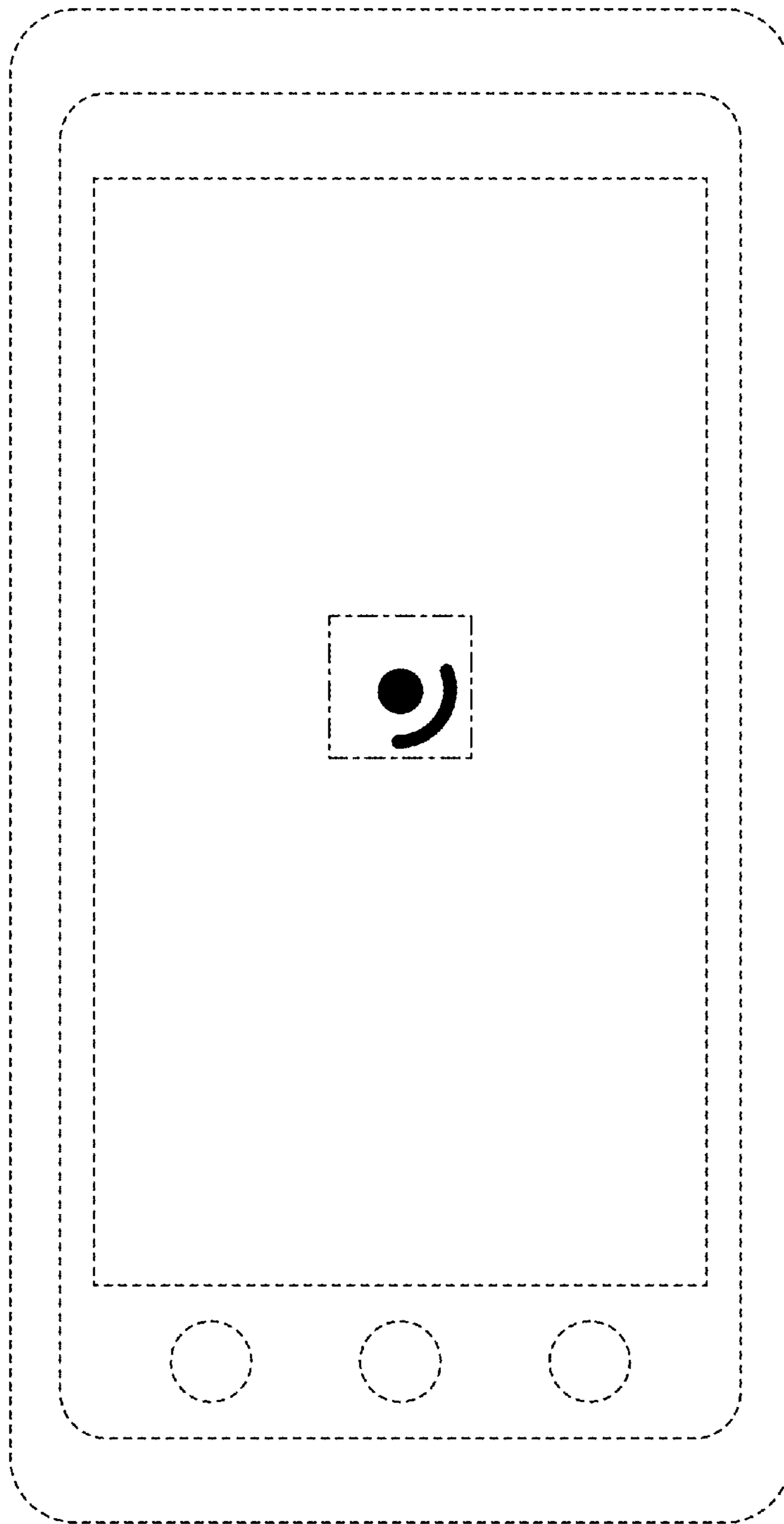


FIG. 3

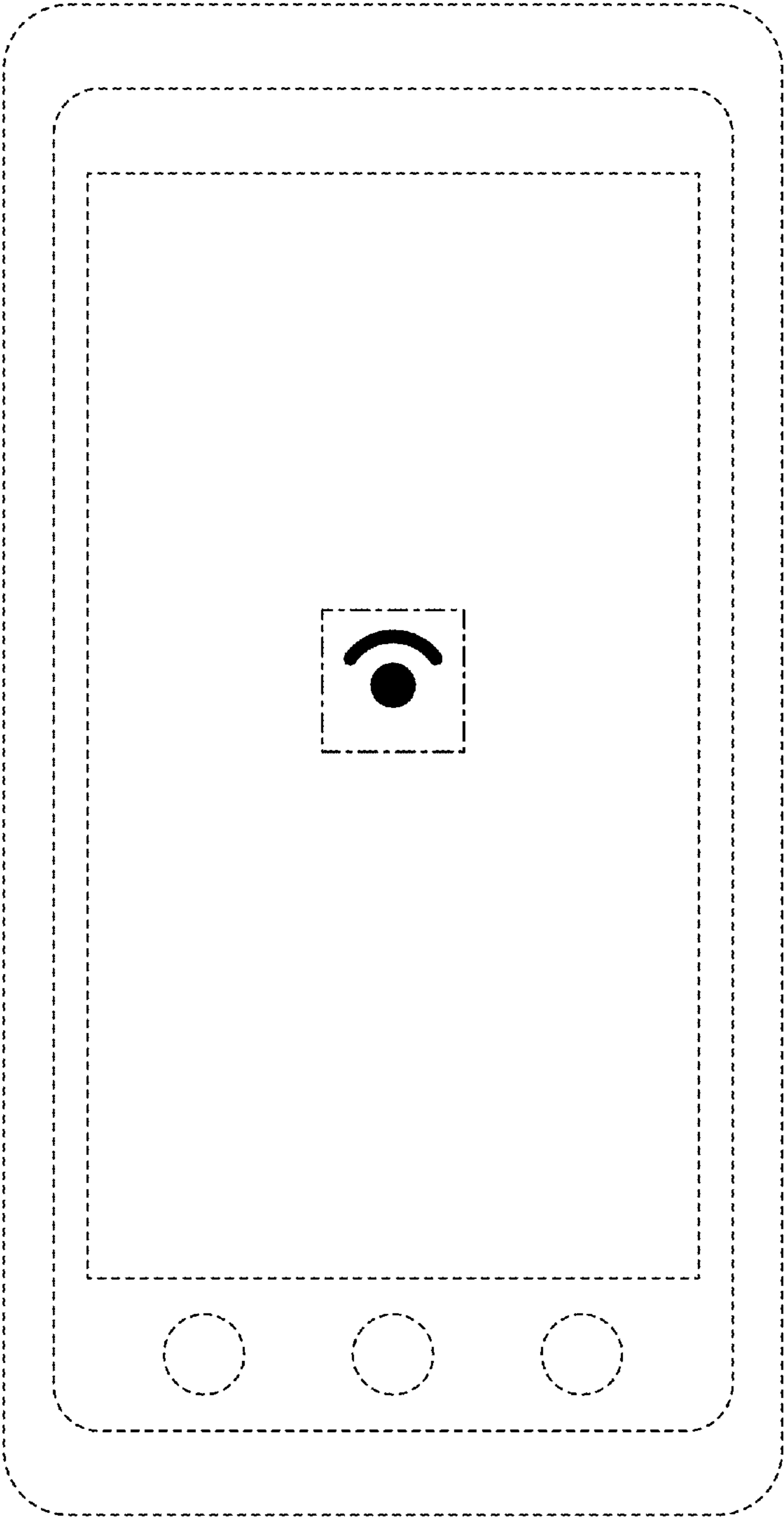


FIG. 4