

US00D764527S

(12) **United States Design Patent**
Choi et al.

(10) **Patent No.:** **US D764,527 S**

(45) **Date of Patent:** **** Aug. 23, 2016**

(54) **DISPLAY SCREEN WITH ANIMATED GRAPHICAL USER INTERFACE**

(71) Applicant: **Microsoft Corporation**, Redmond, WA (US)

(72) Inventors: **Jiwon Choi**, Redmond, WA (US);
Sergey Kisselev, Redmond, WA (US)

(73) Assignee: **Microsoft Corporation**, Redmond, WA (US)

(**) Term: **14 Years**

(21) Appl. No.: **29/515,101**

(22) Filed: **Jan. 20, 2015**

(51) **LOC (10) Cl.** **14-04**

(52) **U.S. Cl.**
USPC **D14/488**

(58) **Field of Classification Search**
USPC D14/485–495
CPC G06F 3/0482; G06F 3/0481; G06F 17/30572; G06F 2203/04807; H04N 1/00408–1/00437; H04M 1/2477
See application file for complete search history.

(56) **References Cited**

U.S. PATENT DOCUMENTS

D658,200	S	*	4/2012	Gleasant	D14/486
D658,675	S	*	5/2012	Gleasant	D14/488
D664,972	S	*	8/2012	Gleasant	D14/486
D664,973	S	*	8/2012	Gleasant	D14/486
D664,987	S	*	8/2012	Gleasant	D14/488
D673,167	S		12/2012	Woo et al.		
D697,526	S	*	1/2014	Bruck	D14/487
D706,808	S	*	6/2014	Edwards	D14/488
D712,919	S	*	9/2014	Lee	D14/487
D714,821	S	*	10/2014	Chand	D14/487

(Continued)

OTHER PUBLICATIONS

Action Centre in Windows Phone 8.1, posted by Yash Maheshwari, published Feb. 19, 2014, YouTube [online], [site visited Mar. 14,

2016]. Available from Internet, <URL:https://www.youtube.com/watch?v=s8nmCGCeFmo>.*
[Cydia Tweak] NCCalendar+-Better Calendar Integration for Notification Center, posted by Dom Esposito, published Jul. 23, 2013, YouTube [online], [site visited Mar. 14, 2016]. Available from Internet, <URL:https://www.youtube.com/watch?v=tgFV68XKfUw>.*

(Continued)

Primary Examiner — Cathron Brooks

Assistant Examiner — Andrew Nemeth

(74) *Attorney, Agent, or Firm* — Banner & Witcoff, Ltd.

(57) **CLAIM**

The ornamental design for a display screen with animated graphical user interface, as shown and described.

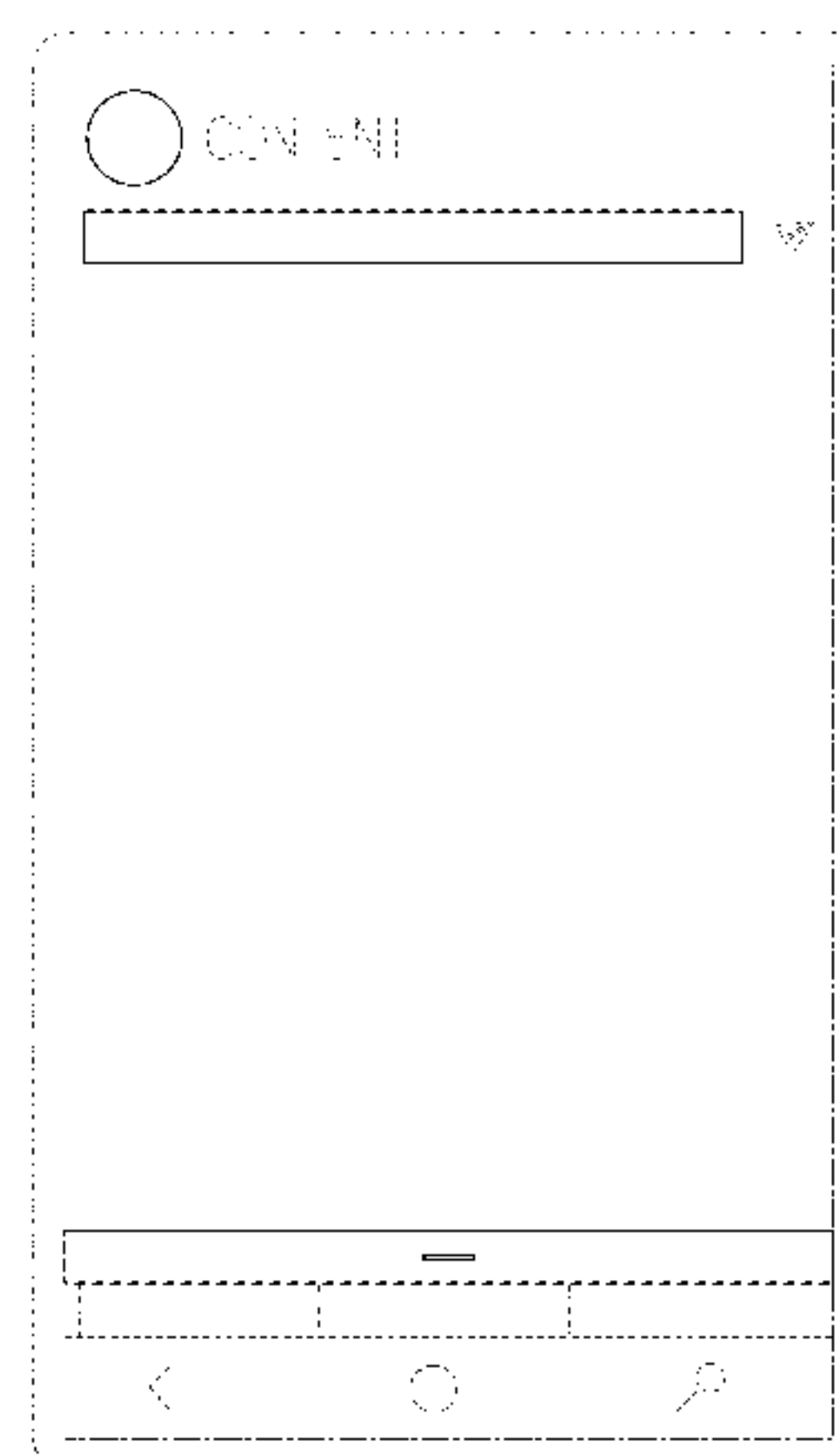
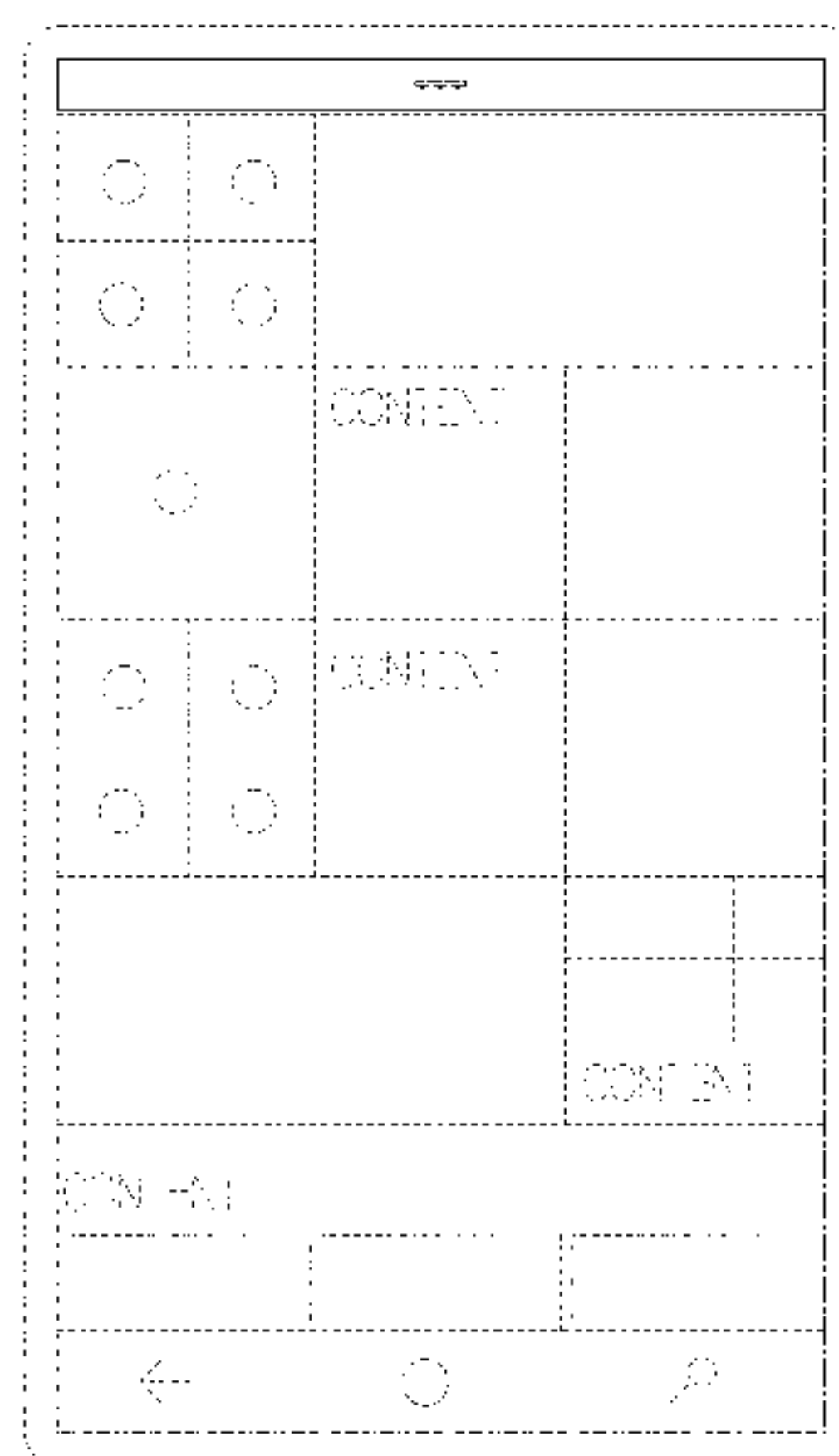
DESCRIPTION

FIG. 1 is the first image in a sequence for a display screen with animated graphical user interface showing our new design; FIG. 2 is the second image thereof; FIG. 3 is the third image thereof; FIG. 4 is the fourth image thereof; FIG. 5 is the fifth image thereof; FIG. 6 is the sixth image thereof; FIG. 7 is the seventh image thereof; FIG. 8 is the eighth image thereof; FIG. 9 is the ninth image thereof; FIG. 10 is the tenth image thereof; FIG. 11 is the eleventh image thereof; FIG. 12 is the twelfth image thereof; and, FIG. 13 is the thirteenth image thereof.

The appearance of the animated graphical user interface sequentially transitions between the images shown in FIGS. 1-13. The process or period in which one image transitions to another forms no part of the claimed design.

The outermost even-length broken line showing of an electronic device illustrates environmental structure and forms no part of the claimed design. The remainder of the even-length broken lines illustrate portions of the graphical user interface and form no part of the claimed design. The uneven-length broken line illustrates the display screen and forms no part of the claimed design.

1 Claim, 13 Drawing Sheets



(56)

References Cited

2012/0023524 A1* 1/2012 Suk H04N 21/42222
725/43

U.S. PATENT DOCUMENTS

D724,603 S * 3/2015 Williams D14/485
D726,744 S * 4/2015 Park D14/486
D727,339 S * 4/2015 Lee D14/486
D735,742 S * 8/2015 Lee D14/486
D740,855 S * 10/2015 Lee D14/492
D741,885 S * 10/2015 Gomez D14/486
D746,305 S * 12/2015 Gray D14/485
2011/0025711 A1* 2/2011 Doi G06F 3/0485
345/635

OTHER PUBLICATIONS

iOS Notification Banner Pull Down to Notification Center in iOS 7 Beta 5, posted by Jeffrey Lewis, published Aug. 6, 2013, YouTube [online], [site visited Mar. 14, 2016]. Available from Internet, <URL:https://www.youtube.com/watch?v=nP0s6ETPxDg>.*
iOS—The mobile OS from a whole new perspective, posted by Kevin Kerr, published Jun. 10, 2013, YouTube [online], [site visited Mar. 14, 2016]. Available from the Internet, <URL:https://www.youtube.com/watch?v=VB6VXPFnlYY>.*

* cited by examiner

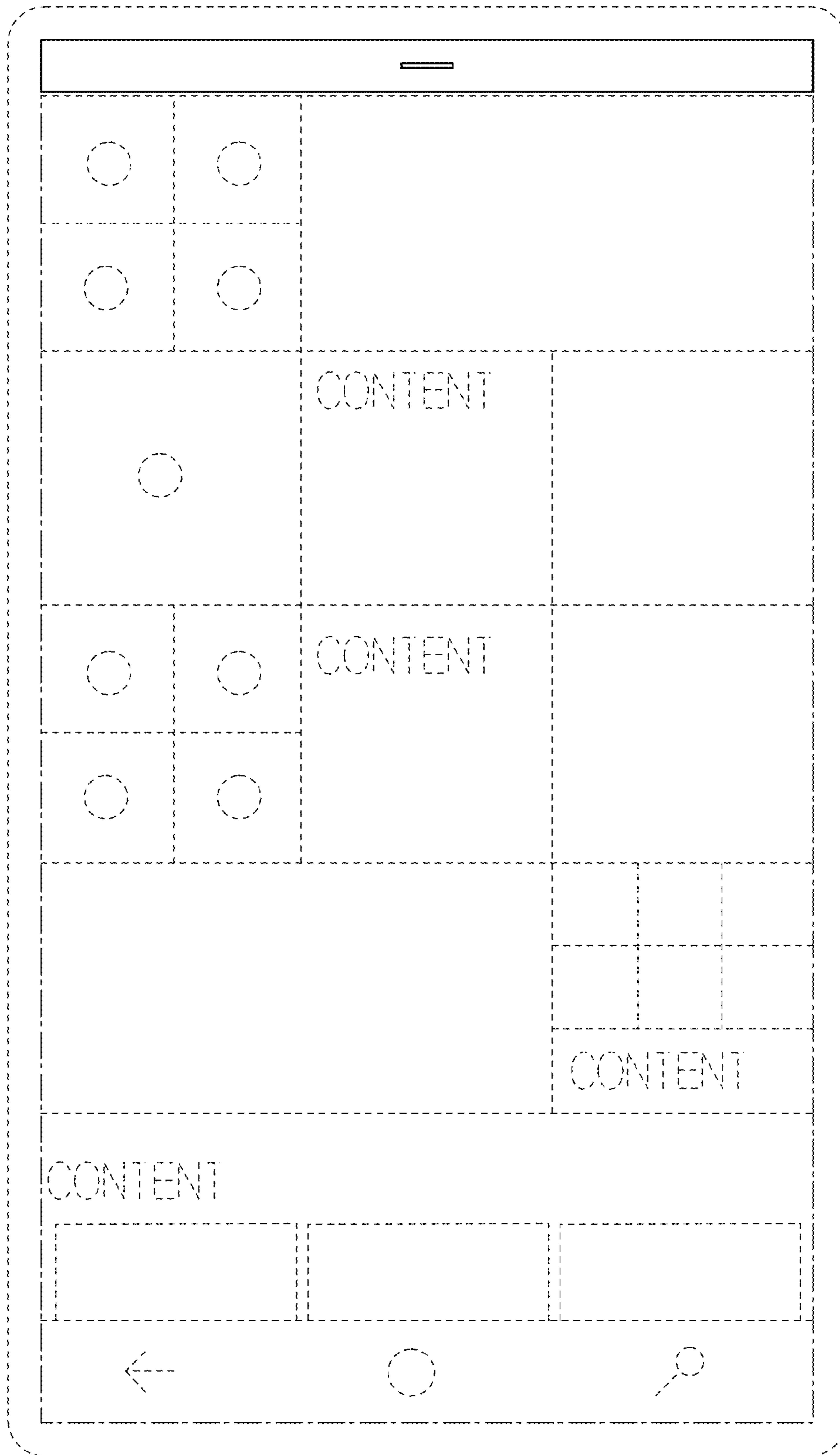


FIG. 1

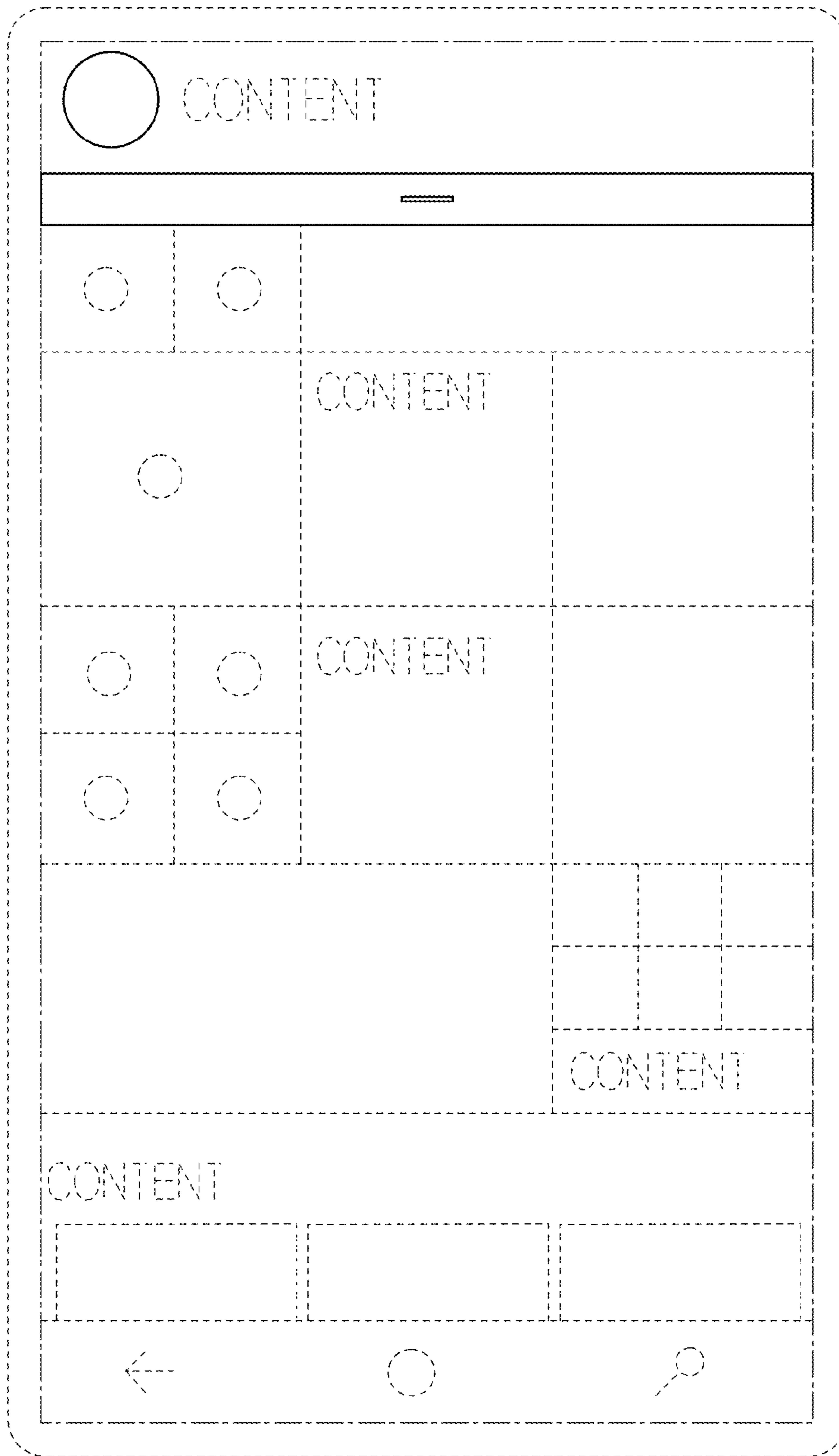


FIG. 2

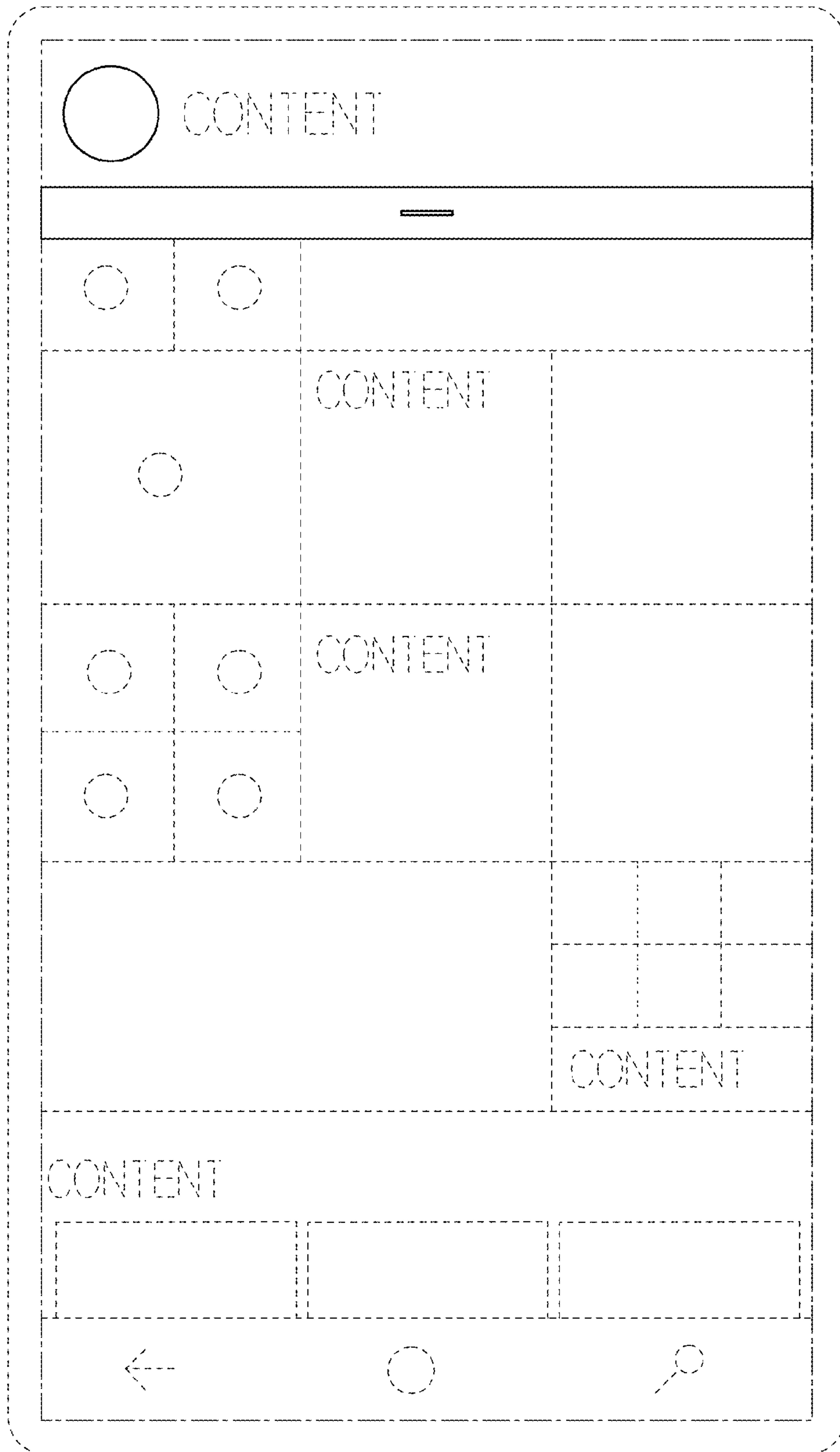


FIG. 3

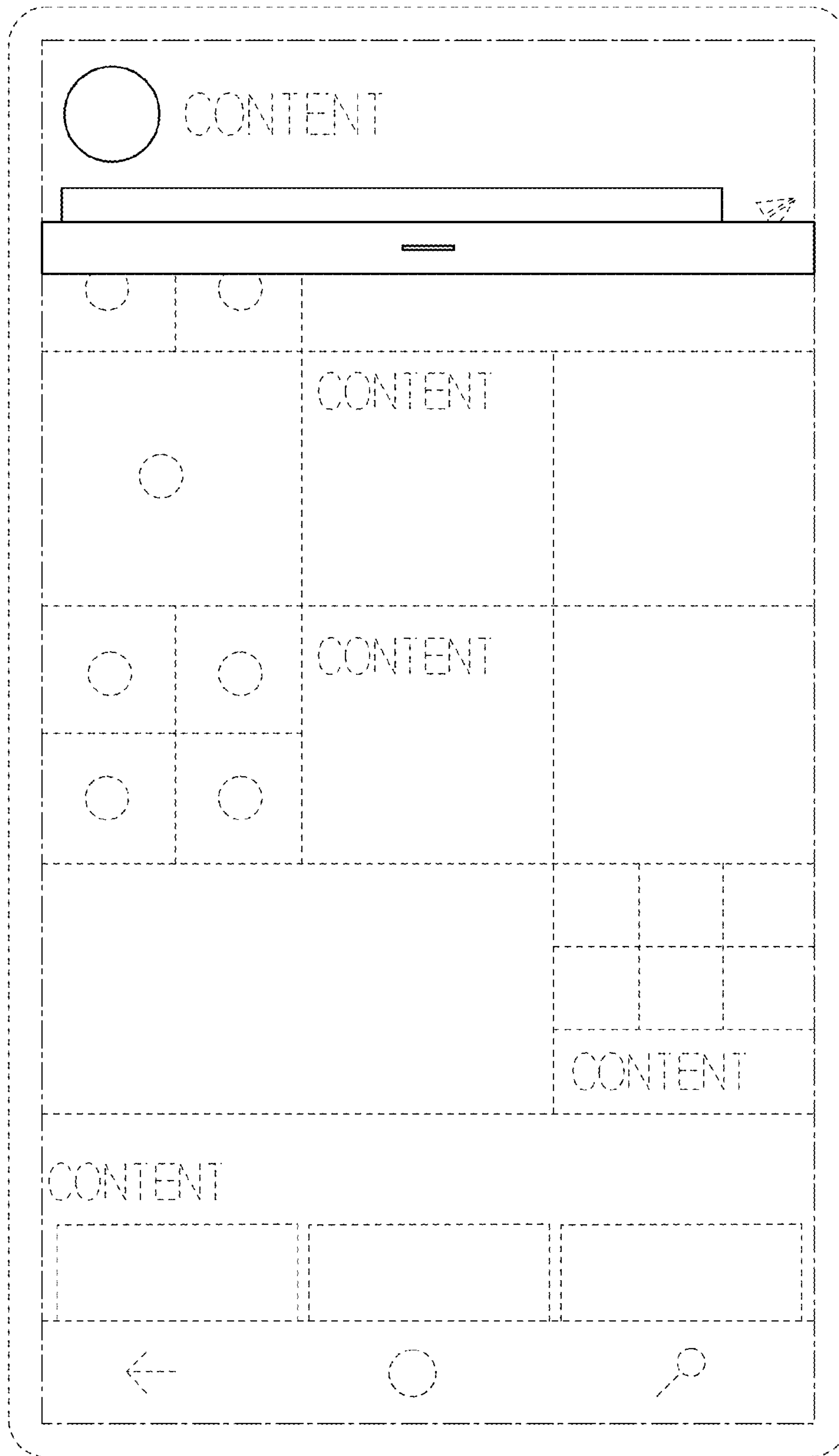


FIG. 4

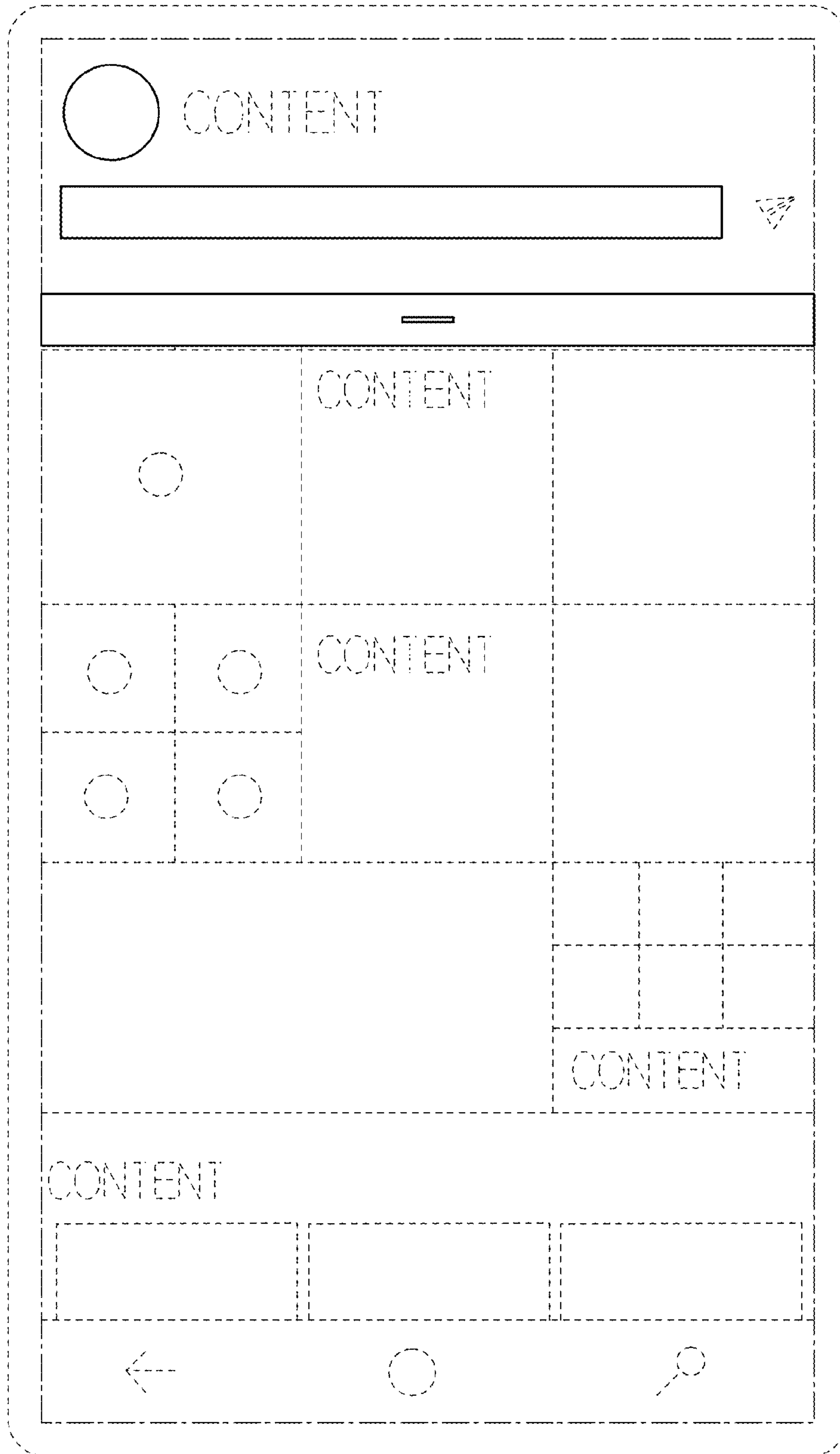


FIG. 5

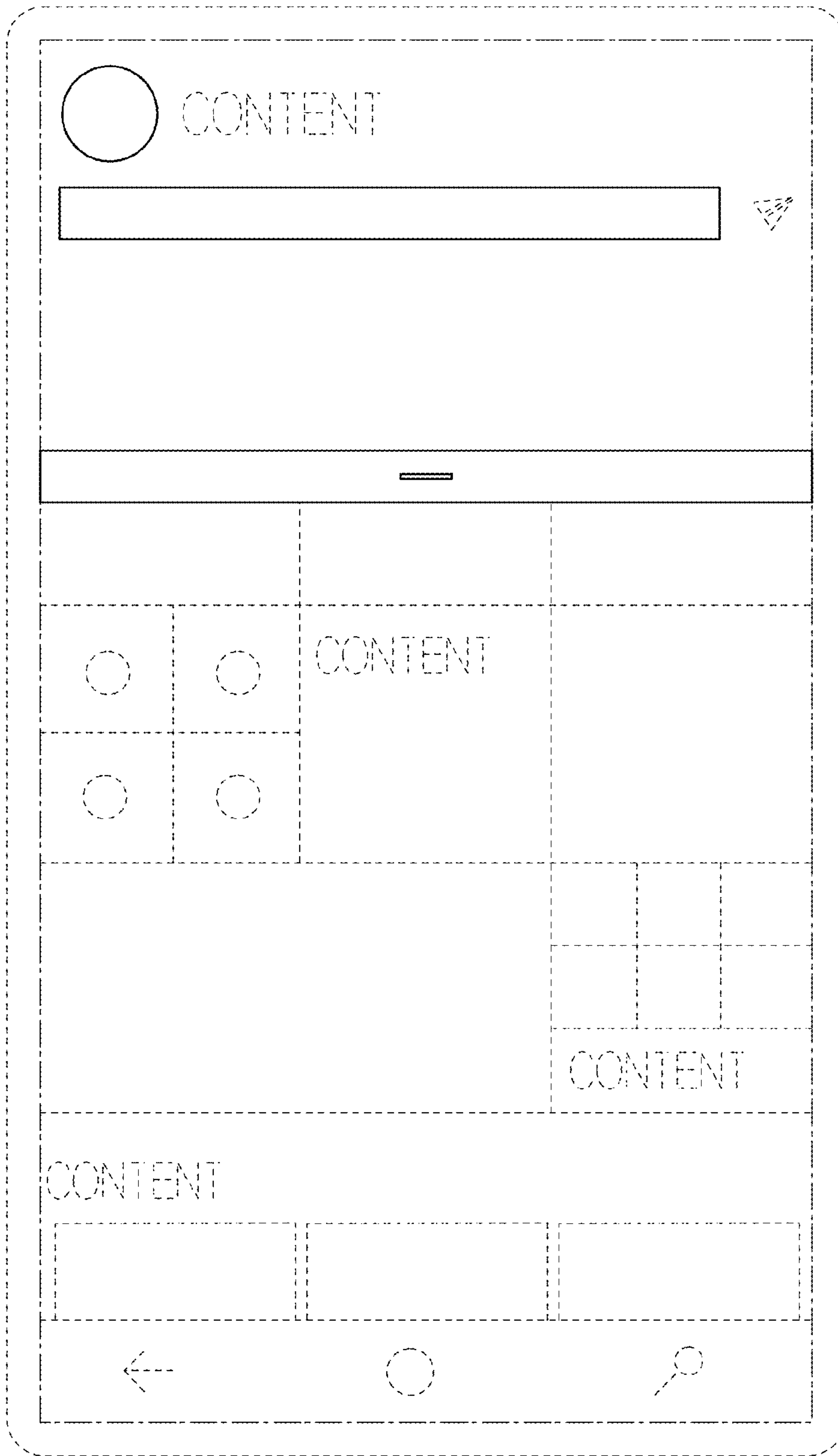


FIG. 6

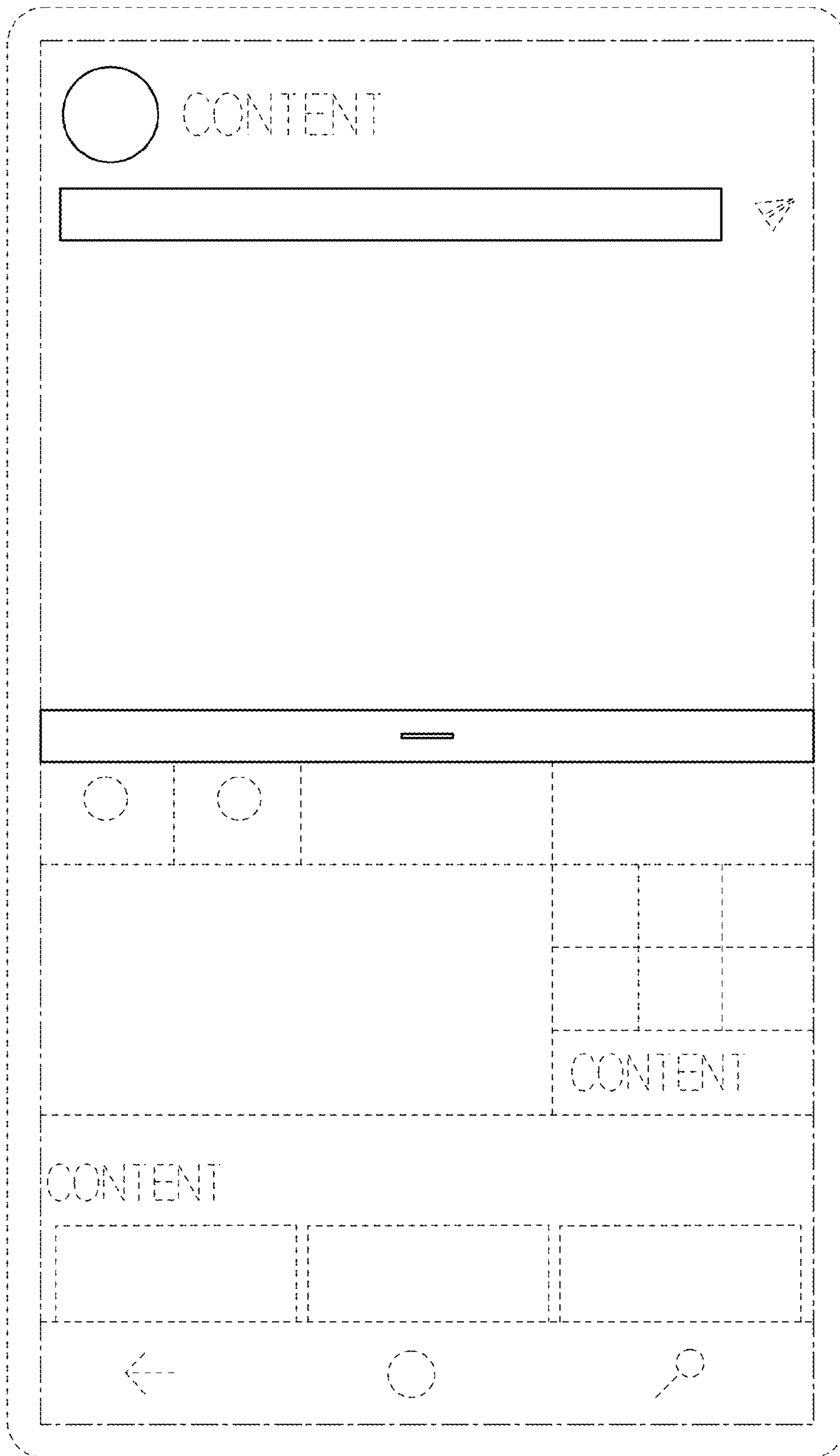


FIG. 7

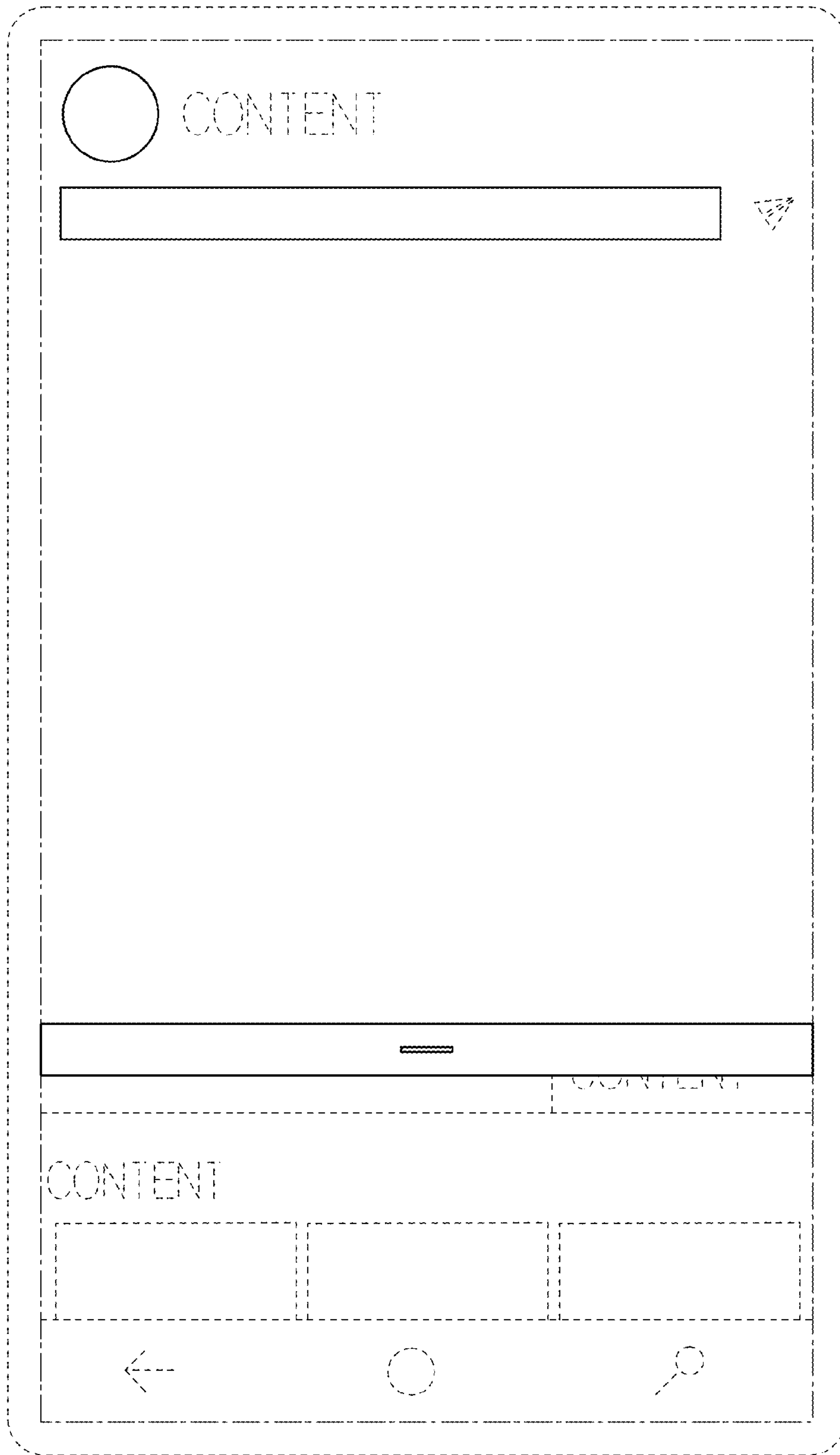


FIG. 8

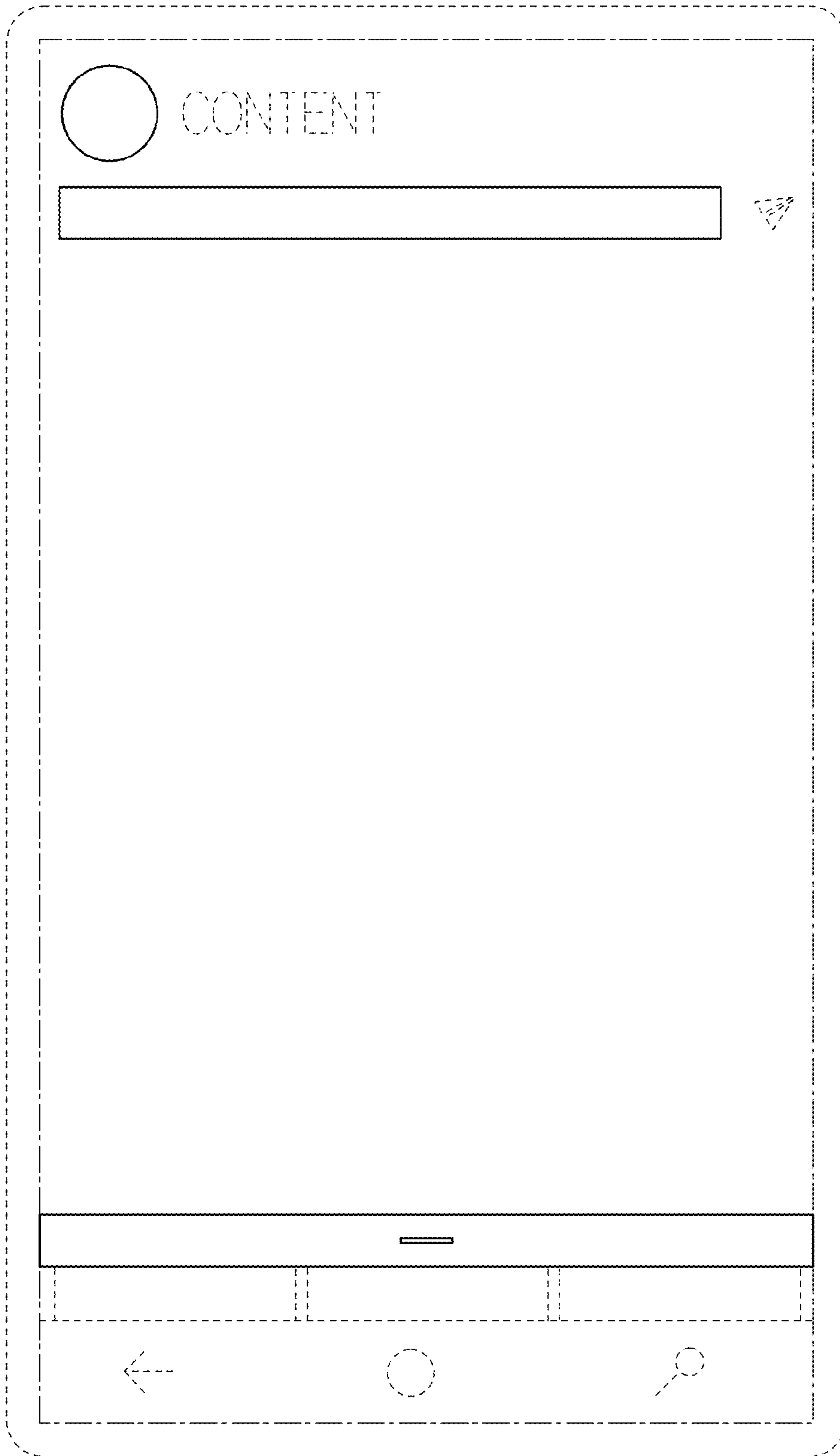
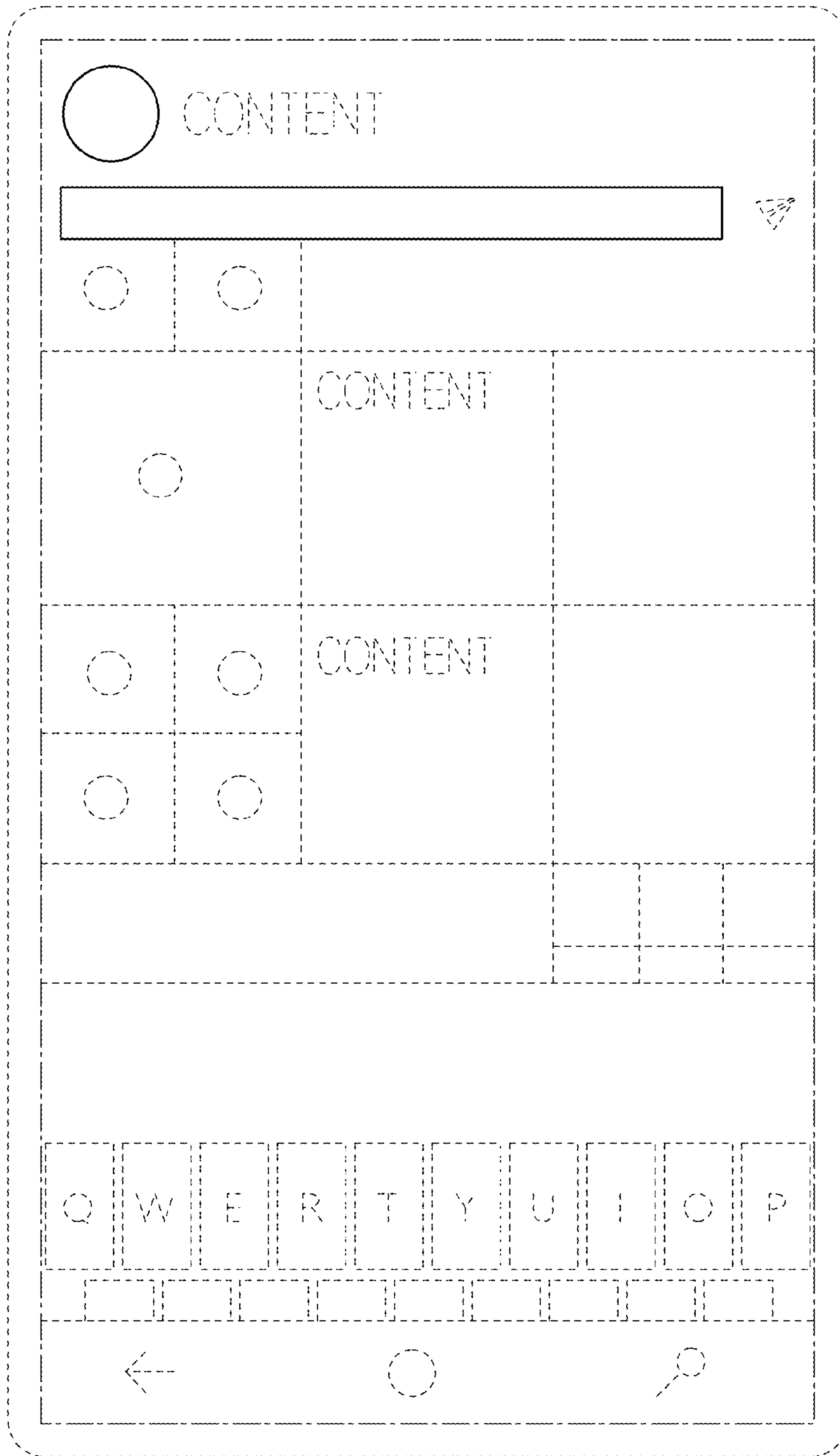


FIG. 9



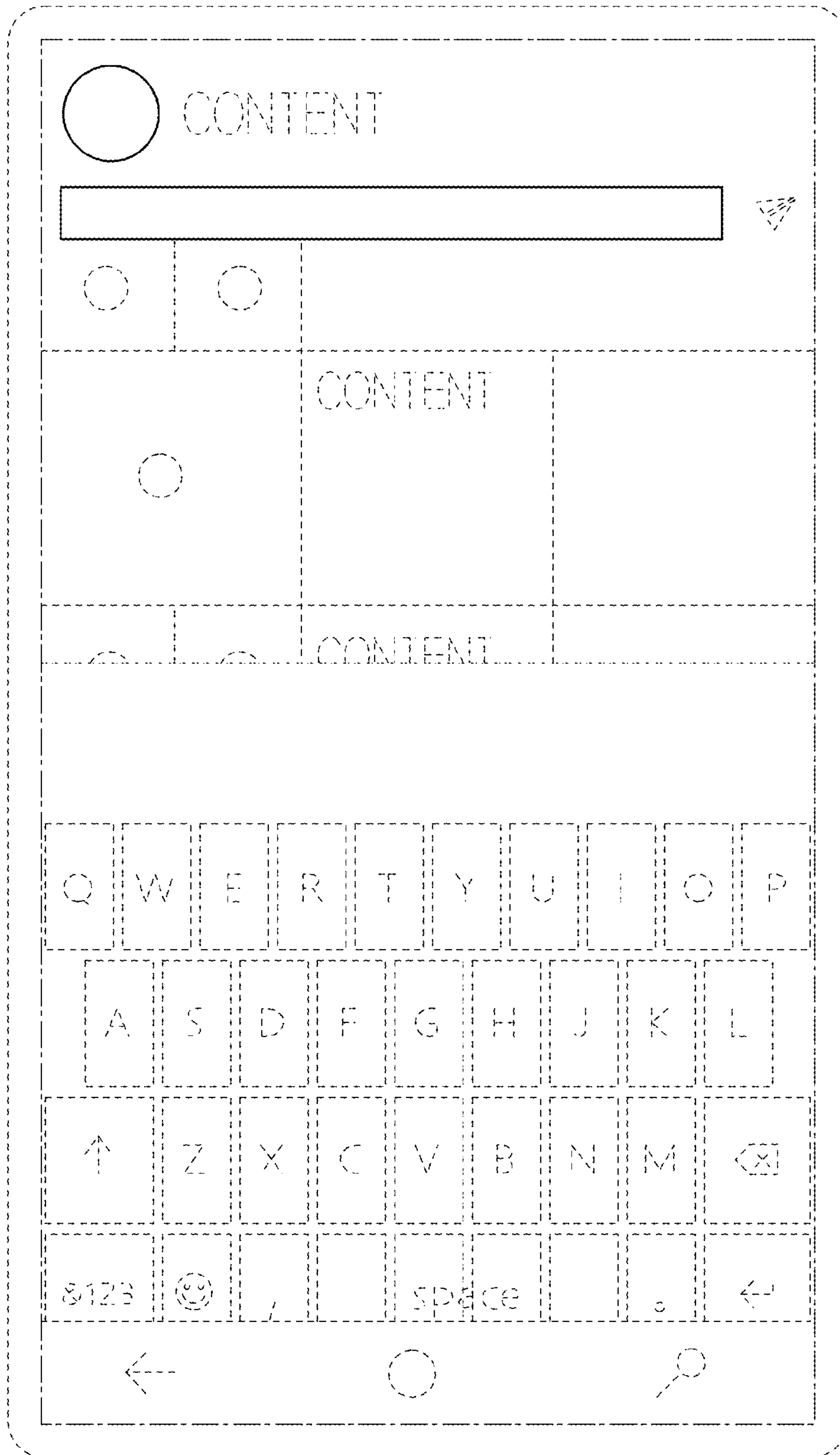


FIG. 11

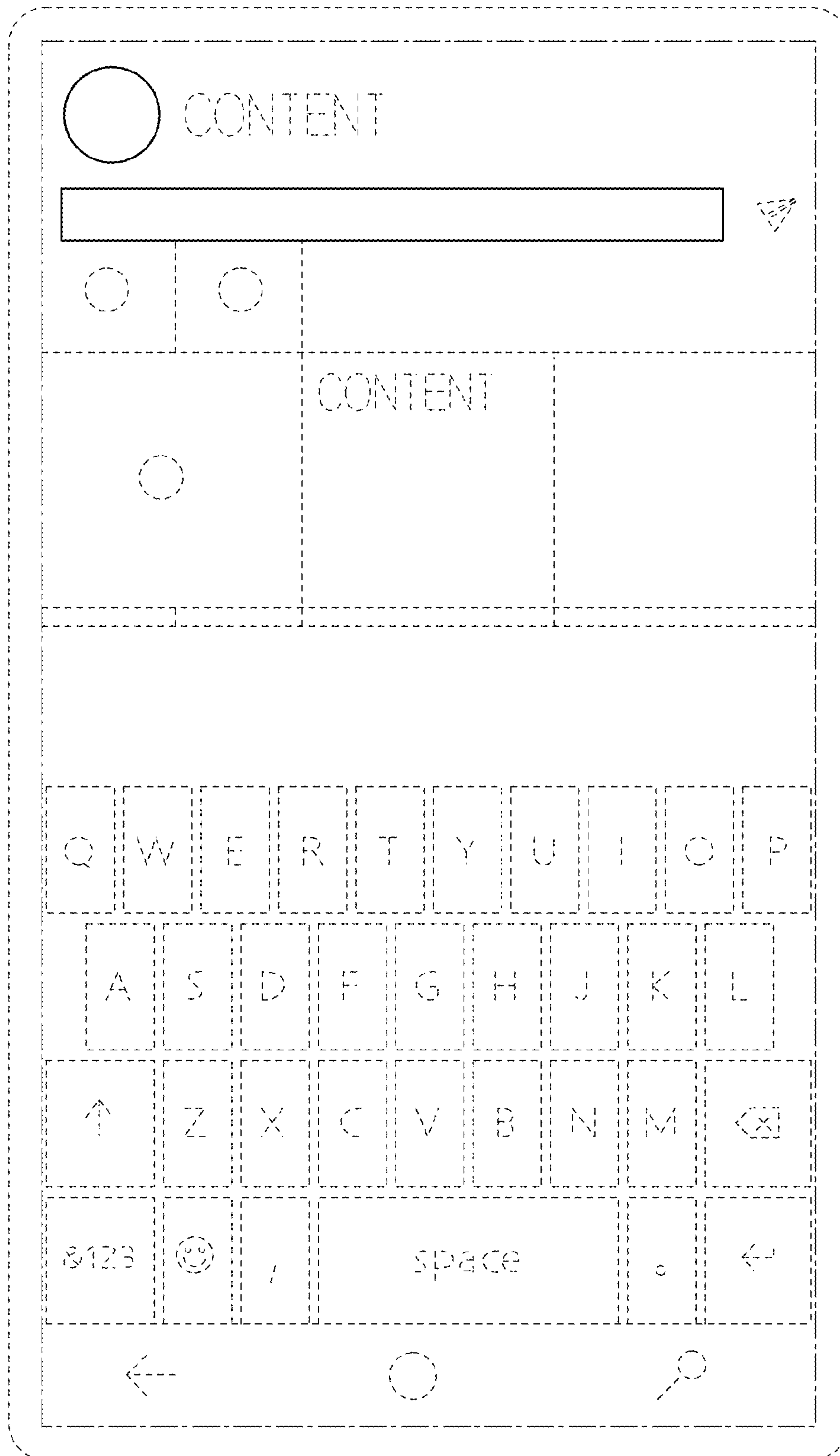


FIG. 12

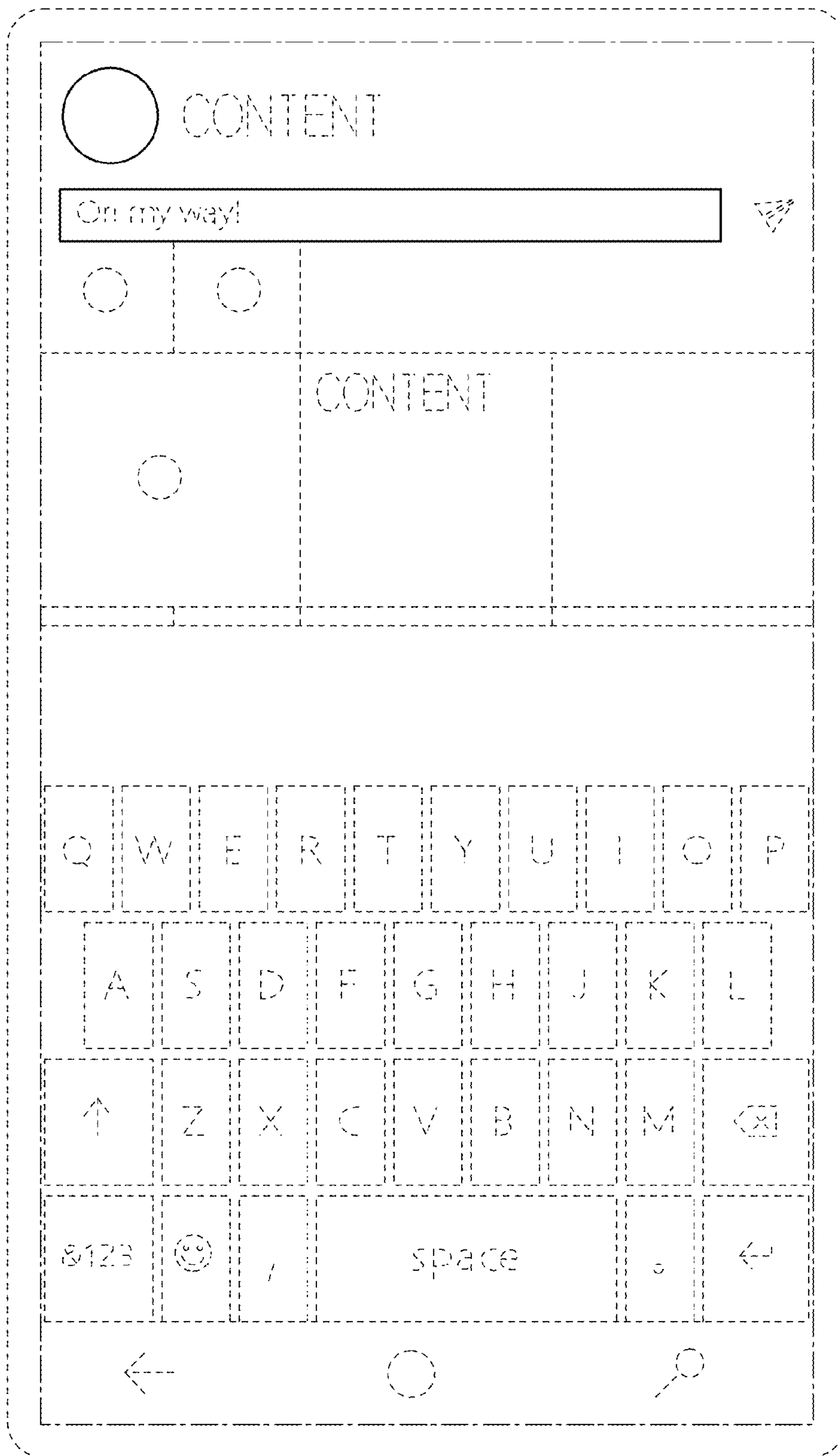


FIG. 13