



US00D764516S

(12) **United States Design Patent**
Lamparelli

(10) **Patent No.:** **US D764,516 S**

(45) **Date of Patent:** **** Aug. 23, 2016**

(54) **DISPLAY SCREEN WITH GRAPHICAL USER INTERFACE**

(71) Applicant: **Wartsila Finland Oy, Vaasa (FI)**

(72) Inventor: **Davide Lamparelli, Fitjar (NO)**

(73) Assignee: **WARTSILA FINLAND OY, Vaasa (FI)**

(**) Term: **15 Years**

(21) Appl. No.: **29/536,631**

(22) Filed: **Aug. 18, 2015**

Related U.S. Application Data

(62) Division of application No. 29/454,667, filed on May 13, 2013, now Pat. No. Des. 742,418.

(30) **Foreign Application Priority Data**

Nov. 13, 2012 (EM) 002134809
Nov. 13, 2012 (EM) 002135004
Nov. 13, 2012 (EM) 002135038

(51) **LOC (10) Cl.** **14-04**

(52) **U.S. Cl.**
USPC **D14/486**

(58) **Field of Classification Search**
USPC D14/485-495; D20/11, 22-41; D19/24, D19/28, 31; D21/329, 370
CPC G06F 3/048-3/04897; G05D 1/206; G01C 21/36; B60K 37/00; B63B 49/00; B63H 21/22; H04M 1/72519-1/72561
See application file for complete search history.

(56) **References Cited**

U.S. PATENT DOCUMENTS

D479,846 S * 9/2003 Kreikemeier D14/486
D573,936 S 7/2008 Jin
D581,855 S 12/2008 Arol

D651,612 S * 1/2012 Impas D14/489
D663,253 S 7/2012 Bondesson
D663,254 S 7/2012 Bondesson
8,406,944 B2 3/2013 Garon et al.
D689,423 S 9/2013 Park et al.
D689,424 S 9/2013 Park et al.
D710,781 S 8/2014 Park et al.
D711,904 S * 8/2014 Sundry D14/486
8,925,414 B1 1/2015 Park et al.
8,930,050 B2 1/2015 Garon et al.
D735,733 S * 8/2015 Hontz, Jr. D14/485

(Continued)

OTHER PUBLICATIONS

Wartsila Gets Red Dot Product Design Award, worldmaritimeneWS.com [online], published Jul. 2, 2013, [retrieved May 10, 2016], retrieved from the Internet <URL: <http://worldmaritimeneWS.com/archives/87964/wartsila-gets-red-dot-product-design-award-germany/>>.*

Compass for New iPad, studeo410.com [online], last updated Jun. 29, 2012, [retrieved May 10, 2016], retrieved from the Internet <URL: <http://studeo410.com/compass-for-new-ipad/>>.*

(Continued)

Primary Examiner — Cathron Brooks

Assistant Examiner — Ian Whitmore

(74) *Attorney, Agent, or Firm* — Muncy, Geissler, Olds & Lowe, P.C.

(57) **CLAIM**

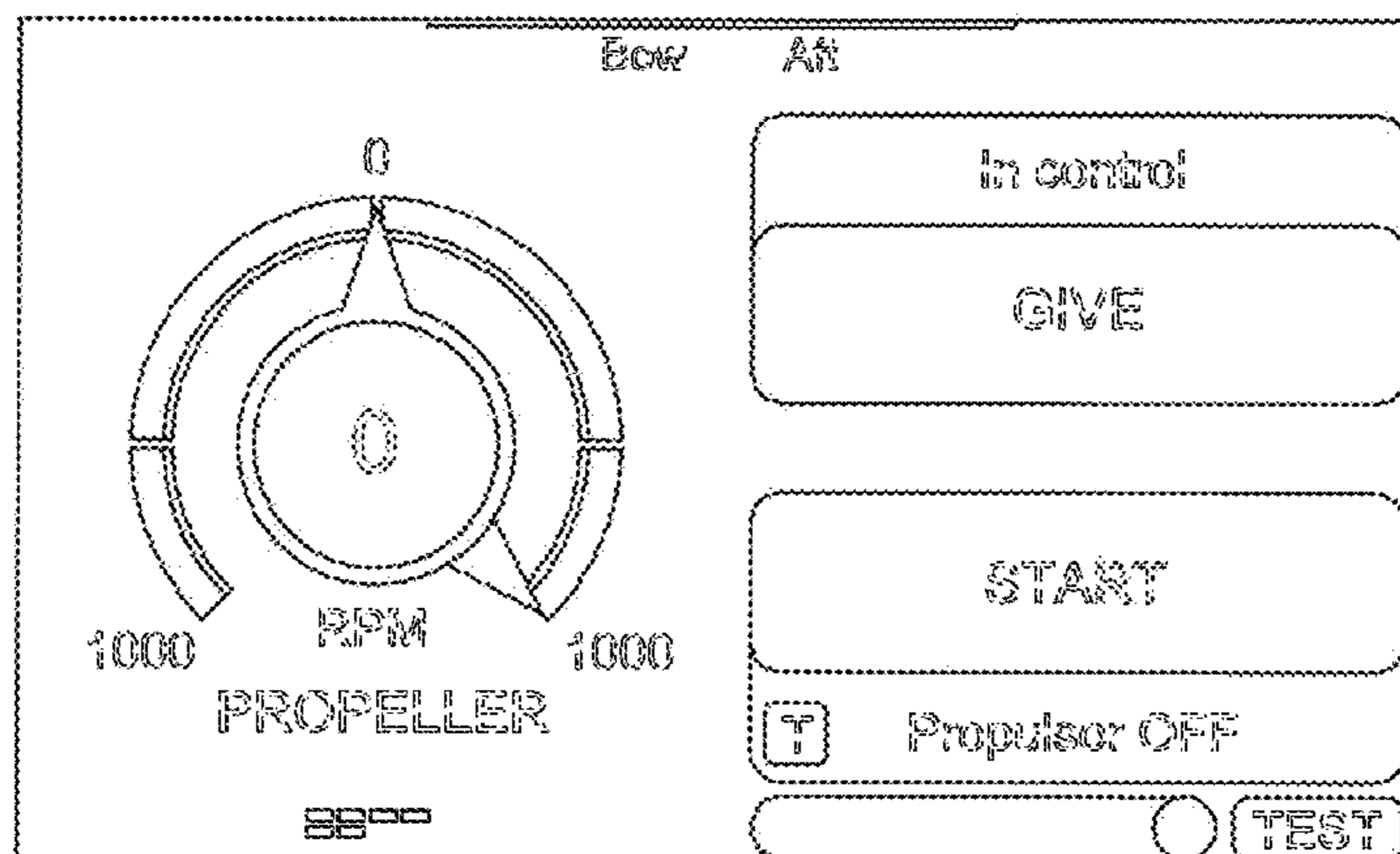
The ornamental design for a display screen with graphical user interface, as shown and described.

DESCRIPTION

The sole FIGURE is a top plan view of a display screen with graphical user interface showing my new design.

The broken line showing of letters and numbers illustrates portions of the display screen with graphical user interface and forms no part of the claimed design.

1 Claim, 1 Drawing Sheet



(56)

References Cited

U.S. PATENT DOCUMENTS

D753,138 S * 4/2016 Kim D14/485
D753,681 S * 4/2016 Lim D14/485
D753,684 S * 4/2016 Rahn D14/486
2007/0249244 A1 10/2007 Watanabe et al.
2009/0258677 A1* 10/2009 Ellis G06F 3/04883
455/556.1
2010/0141610 A1* 6/2010 Yoneji B60H 1/00985
345/184

OTHER PUBLICATIONS

14 Great Free Android Apps for the Outdoors, by Markham, discovery.com [online], published Aug. 18, 2011, [retrieved May 10, 2016], retrieved from the Internet <URL:http://news.discovery.com/tech/gear-and-gadgets/14-great-free-android-apps-for-the-outdoors.htm>.*

* cited by examiner

