

US00D764500S

(12) **United States Design Patent**  
**Wang**

(10) **Patent No.:** **US D764,500 S**  
(45) **Date of Patent:** **\*\* Aug. 23, 2016**

(54) **DISPLAY SCREEN WITH GRAPHICAL USER INTERFACE**

6,448,987 B1 \* 9/2002 Easty ..... G06F 3/0482  
715/834

(71) Applicant: **Lenovo (Beijing) Co., Ltd.**, Haidian District, Beijing (CN)

D473,151 S 4/2003 Shaland et al.  
D480,092 S 9/2003 Kreikemeier et al.  
D493,471 S 7/2004 McIntosh  
D500,766 S 1/2005 Hanisch et al.  
D505,135 S \* 5/2005 Sapp ..... D14/489

(72) Inventor: **Renjie Wang**, Beijing (CN)

(Continued)

(73) Assignee: **LENOVO (BEIJING) CO., LTD.**, Haidian District, Beijing (CN)

*Primary Examiner* — Kevin Rudzinski  
(74) *Attorney, Agent, or Firm* — Brinks Gilson & Lione; G. Peter Nichols

(\*\*) Term: **15 Years**

(57) **CLAIM**

(21) Appl. No.: **29/549,758**

The ornamental design for a display screen with graphical user interface, as shown and described.

(22) Filed: **Dec. 28, 2015**

**DESCRIPTION**

**Related U.S. Application Data**

(62) Division of application No. 29/445,479, filed on Feb. 12, 2013, now Pat. No. Des. 749,606.

FIG. 1 is a front view of a display screen with graphical user interface showing an embodiment of my new design; FIG. 2 is a front view of a display screen with graphical user interface showing an embodiment of my new design; FIG. 3 is a front view of a display screen with graphical user interface showing an embodiment of my new design; FIG. 4 is a front view of a display screen with graphical user interface showing an embodiment of my new design; FIG. 5 is a front view of a display screen with graphical user interface showing an embodiment of my new design; FIG. 6 is a front view of a display screen with graphical user interface showing an embodiment of my new design; FIG. 7 is a front view of a display screen with graphical user interface showing an embodiment of my new design; and, FIG. 8 is a front view of a display screen with graphical user interface showing an embodiment of my new design.

(30) **Foreign Application Priority Data**

Dec. 27, 2012 (CN) ..... 2012 3 0656619

(51) **LOC (10) Cl.** ..... **14-04**

(52) **U.S. Cl.**  
USPC ..... **D14/485**

(58) **Field of Classification Search**

USPC ..... D14/485-495  
CPC .... G06F 3/04883; G06F 3/0482; G06F 3/017  
See application file for complete search history.

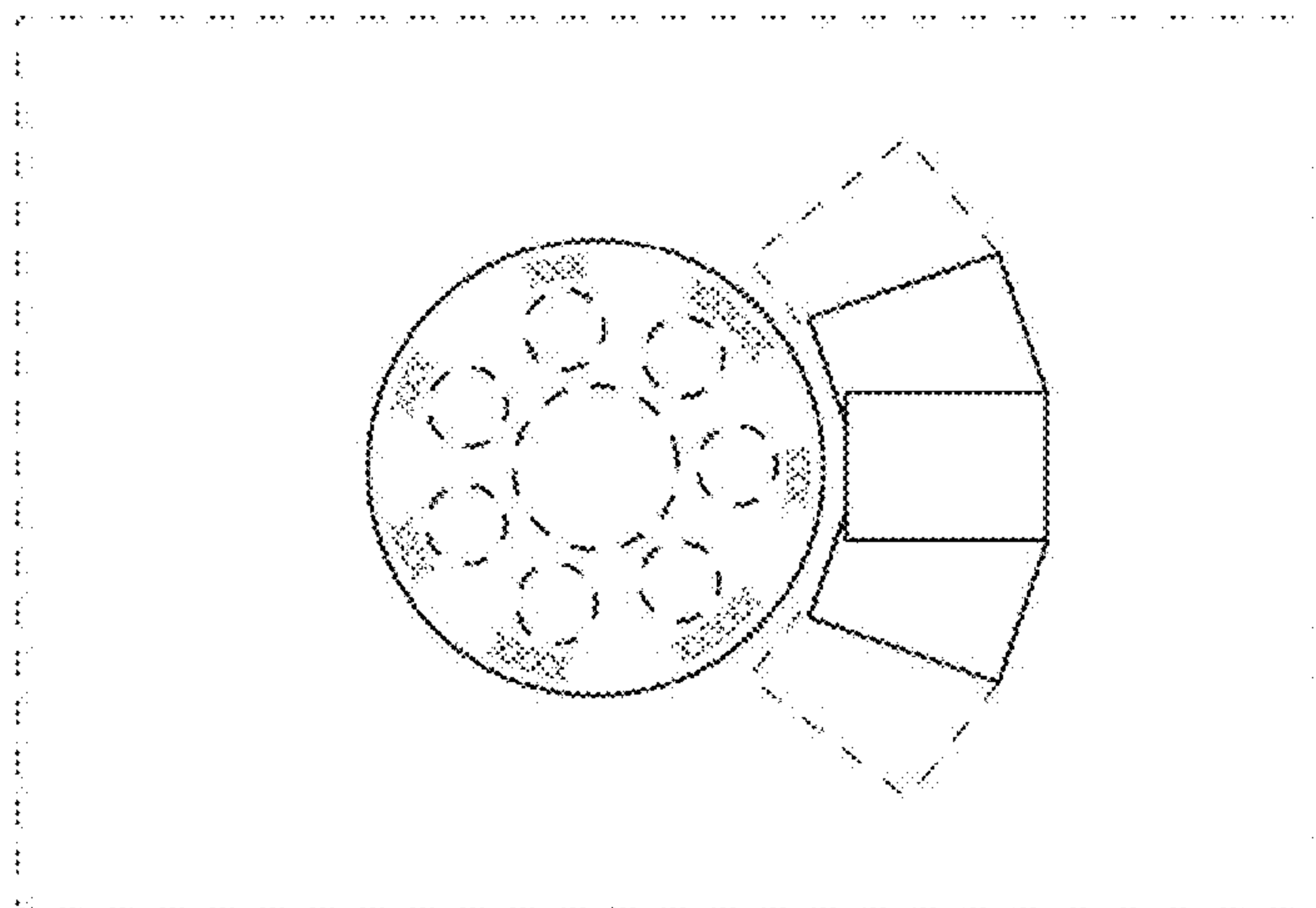
The subject matter shown in dashed lines is for illustrative purposes only and forms no part of the claimed design. The broken lines showing portions of the graphical user interface such as the "X"s are included to demonstrate environment and form no part of the claimed design. The broken lines illustrating the display screen form no part of the claimed design.

(56) **References Cited**

**U.S. PATENT DOCUMENTS**

D124,670 S 1/1941 Ruderman  
D384,341 S 9/1997 Hoffman et al.  
D396,455 S \* 7/1998 Bier ..... D14/489  
5,973,691 A \* 10/1999 Servan-Schreiber . G06T 11/206  
715/803  
D456,028 S 4/2002 Sakata  
D461,822 S \* 8/2002 Okuley ..... D14/489

**1 Claim, 4 Drawing Sheets**





(56)

References Cited

U.S. PATENT DOCUMENTS

D507,002 S *	7/2005	Retuta .....	D14/486	D692,017 S	10/2013	Andersson et al.	
D523,441 S	6/2006	Sapp et al.		D694,257 S	11/2013	McKinley et al.	
D534,541 S	1/2007	Retuta et al.		D697,071 S	1/2014	Brinda	
D544,495 S	6/2007	Evans et al.		D697,074 S	1/2014	Waldman	
D544,496 S	6/2007	Evans et al.		D698,817 S	2/2014	Laverack et al.	
D545,231 S	6/2007	Waldman		D699,248 S	2/2014	Pearson et al.	
D545,323 S	6/2007	Decombe		D699,251 S	2/2014	Rao et al.	
D545,324 S	6/2007	Decombe		D699,737 S	2/2014	Pearson et al.	
D550,696 S	9/2007	Kortum et al.		D699,746 S	2/2014	Pearson et al.	
D554,660 S	11/2007	Hoover et al.		D699,747 S	2/2014	Pearson et al.	
D554,661 S	11/2007	Hoover et al.		D699,750 S	2/2014	Pearson et al.	
D561,193 S	2/2008	O'Mullan et al.		D700,207 S	2/2014	Pearson et al.	
D563,972 S	3/2008	Sherry		D702,251 S	4/2014	Kotler et al.	
D566,722 S	4/2008	Jackson		D704,213 S	5/2014	Agnew	
D572,264 S *	7/2008	Guimaraes .....	D14/490	D708,203 S	7/2014	Johnson	
D574,395 S	8/2008	Loretan et al.		D708,221 S *	7/2014	Danton .....	D14/492
7,500,187 B1 *	3/2009	Karimoto .....	G06F 17/243 707/999.1	D709,084 S *	7/2014	Agnew .....	D14/486
D591,305 S	4/2009	Shimoda		D709,898 S	7/2014	Sloo et al.	
D591,765 S *	5/2009	Amacker .....	D14/488	D710,367 S *	8/2014	Quattrocchi .....	D14/485
D593,107 S	5/2009	Shimoda et al.		D711,427 S *	8/2014	Clarke .....	D14/493
D598,928 S *	8/2009	Hirsch .....	D14/485	D711,904 S *	8/2014	Sundy .....	D14/486
D599,814 S	9/2009	Ogura et al.		D711,905 S	8/2014	Morrison et al.	
D602,033 S	10/2009	Vu et al.		D711,915 S *	8/2014	Wong .....	D14/489
D605,200 S *	12/2009	Sakai .....	D14/486	D712,432 S *	9/2014	Chaudhri .....	D14/493
D606,091 S	12/2009	O'Donnell et al.		D712,911 S	9/2014	Pearson et al.	
D607,007 S	12/2009	Kocmick		D714,317 S	9/2014	Pereira	
D607,009 S	12/2009	McEnaney		D714,320 S	9/2014	Pereira	
D611,486 S *	3/2010	Hirsch .....	D14/485	D714,321 S	9/2014	Pereira	
D612,391 S *	3/2010	Fletcher .....	D14/486	D714,322 S	9/2014	Pereira	
D614,192 S	4/2010	Takano et al.		D715,313 S *	10/2014	Hontz, Jr. ....	D14/485
7,692,635 B2 *	4/2010	Iwamura .....	G06F 3/0362 345/169	D715,831 S *	10/2014	Kim .....	D14/488
D616,450 S *	5/2010	Simons .....	D14/486	D716,314 S *	10/2014	Hartley .....	D14/485
D619,614 S	7/2010	O'Mullan et al.		D716,315 S	10/2014	Behzadi et al.	
D623,658 S	9/2010	Fitzmaurice et al.		D716,316 S	10/2014	Behzadi et al.	
D624,557 S *	9/2010	Allen .....	D14/488	D716,319 S	10/2014	Fan et al.	
D624,558 S *	9/2010	Barcheck .....	D14/493	D716,320 S *	10/2014	Fan .....	D14/485
D625,319 S *	10/2010	Allen .....	D14/485	D716,325 S *	10/2014	Brudnicki .....	D14/486
D625,328 S *	10/2010	Fitzmaurice .....	D14/489	D716,829 S	11/2014	Sik	
D626,143 S *	10/2010	Karten .....	D14/491	D717,312 S *	11/2014	Matas .....	D14/485
D626,876 S	11/2010	Jones		D717,823 S	11/2014	Brotman et al.	
D630,643 S *	1/2011	Wilson .....	D14/486	D718,321 S	11/2014	Charles et al.	
D630,644 S	1/2011	Wilson		D721,087 S	1/2015	Barling	
D630,646 S *	1/2011	Wilson .....	D14/487	D721,088 S *	1/2015	Barling .....	D14/485
D630,647 S	1/2011	Wilson		D722,079 S *	2/2015	Charles .....	D14/488
D633,920 S *	3/2011	Luke .....	D14/486	D722,606 S	2/2015	Stroupe et al.	
D635,987 S *	4/2011	Mays .....	D14/487	D725,143 S	3/2015	Terleski et al.	
D635,988 S	4/2011	Mays et al.		D726,741 S *	4/2015	Lee .....	D14/485
D637,198 S *	5/2011	Furuya .....	D14/486	D726,759 S *	4/2015	Brinda .....	D14/488
D640,266 S *	6/2011	Furuya .....	D14/486	D727,336 S	4/2015	Allison et al.	
7,992,102 B1	8/2011	De Angelo		D727,928 S	4/2015	Allison et al.	
D645,470 S	9/2011	Matas		D728,616 S *	5/2015	Gomez .....	D14/491
D645,872 S *	9/2011	Smith .....	D14/488	D729,260 S *	5/2015	Ahn .....	D14/485
D650,392 S	12/2011	Glezer et al.		9,076,346 B2	7/2015	Quattrocchi	
D654,925 S	2/2012	Nishizawa et al.		D736,791 S *	8/2015	Kluttz .....	D14/485
8,151,209 B2	4/2012	Law et al.		D738,383 S *	9/2015	Lim .....	D14/485
D659,707 S *	5/2012	David .....	D14/487	D740,302 S *	10/2015	Son .....	D14/485
D665,161 S	8/2012	Leifeld et al.		D740,308 S *	10/2015	Kim .....	D14/486
D665,163 S *	8/2012	Leifeld .....	D3/203.2	D745,527 S *	12/2015	Wang .....	D14/485
D667,018 S	9/2012	Clanton et al.		D748,667 S *	2/2016	Morishige .....	D14/488
D667,433 S	9/2012	Phelan		D749,606 S *	2/2016	Wang .....	D14/486
D669,499 S *	10/2012	Gardner .....	D14/495	D750,100 S *	2/2016	Lee .....	D14/485
D671,126 S *	11/2012	Inose .....	D14/486	D750,105 S *	2/2016	Leighton .....	D14/485
D672,784 S	12/2012	Clanton et al.		9,261,989 B2 *	2/2016	Kuscher .....	G06F 3/041
D682,305 S	5/2013	Mierau et al.		D750,642 S *	3/2016	Lee .....	D14/485
D682,306 S *	5/2013	DiJulio .....	D14/488	D752,062 S *	3/2016	Forsblom .....	D14/485
D684,585 S *	6/2013	Plesnicher .....	D14/486	D753,138 S *	4/2016	Kim .....	D14/485
D684,586 S	6/2013	Plesnicher et al.		D753,690 S *	4/2016	Vazquez .....	D14/486
D684,587 S *	6/2013	Plesnicher .....	D14/486	D754,674 S *	4/2016	Lee .....	D14/485
D686,633 S *	7/2013	Kluttz .....	D14/485	D754,686 S *	4/2016	Mandeville .....	D14/485
D687,460 S	8/2013	Tyler et al.		D754,727 S *	4/2016	Leighton .....	D14/488
D690,718 S	10/2013	Thomsen et al.		D755,820 S *	5/2016	Wang .....	D14/486
D690,720 S *	10/2013	Waldman .....	D14/485	9,342,217 B2 *	5/2016	Geithner .....	G06F 3/0482
D691,637 S	10/2013	Deurwaarder		2005/0010955 A1 *	1/2005	Elia .....	G06F 3/0482 725/88
				2005/0160376 A1 *	7/2005	Sciammarella .....	G06F 3/0481 715/838
				2006/0109283 A1 *	5/2006	Shipman .....	G06F 3/04815 345/629

(56)

**References Cited**

U.S. PATENT DOCUMENTS

2007/0256029	A1 *	11/2007	Maxwell	.....	G06F 3/0482	715/834					
2007/0271528	A1 *	11/2007	Park	.....	G06F 3/0482	715/810					
2008/0126992	A1 *	5/2008	Scheu	.....	G06F 3/0482	715/835					
2009/0019397	A1	1/2009	Buffet et al.								
2009/0288028	A1 *	11/2009	Gohda	.....	G06F 3/0486	715/769					
2009/0289903	A1 *	11/2009	Chen	.....	G06F 3/04883	345/173					
2010/0037185	A1	2/2010	Li								
2010/0333029	A1 *	12/2010	Smith	.....	G06F 3/0488	715/834					
2011/0249005	A1 *	10/2011	Hautvast	.....	A61B 5/055	345/440					
2011/0320981	A1 *	12/2011	Shen	.....	G06F 9/4443	715/834					
2012/0036443	A1 *	2/2012	Ohmori	.....	G06F 3/0486	715/736					
2012/0079430	A1 *	3/2012	Kwahk	.....	G06F 3/0488	715/834					
2012/0096383	A1 *	4/2012	Sakamoto	.....	G06F 9/4443	715/772					
2012/0124520	A1 *	5/2012	Samp	.....	G06F 3/04886	715/834					
2012/0209878	A1 *	8/2012	Park	.....	G06F 3/04817	707/771					
2013/0024792	A1 *	1/2013	Isozu	.....	G06F 3/017	715/764					
2013/0096819	A1	4/2013	Tarnok								
2014/0208241	A1 *	7/2014	Charles	.....	G06F 9/445	715/760					

\* cited by examiner



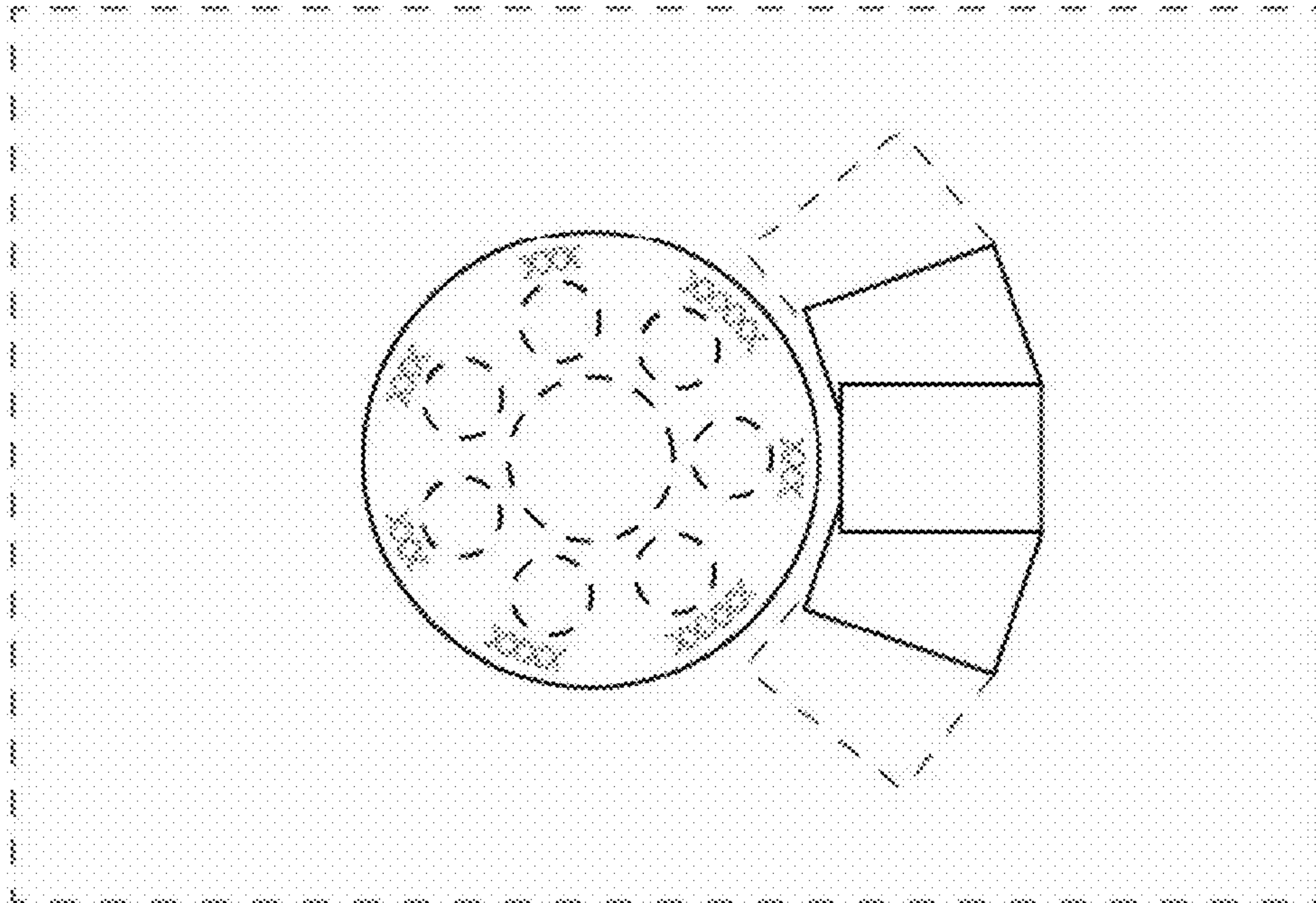


Fig. 1

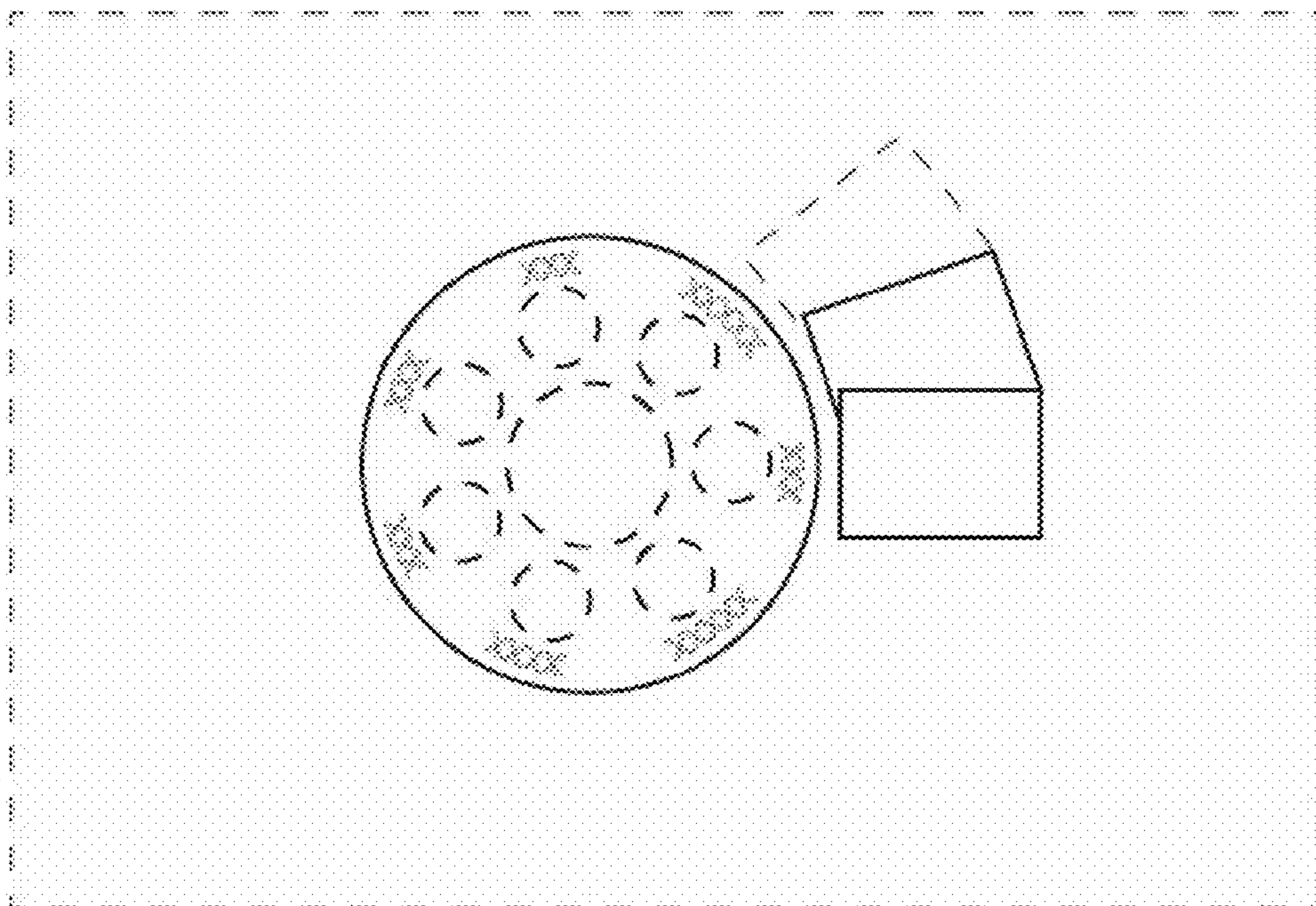


Fig. 2

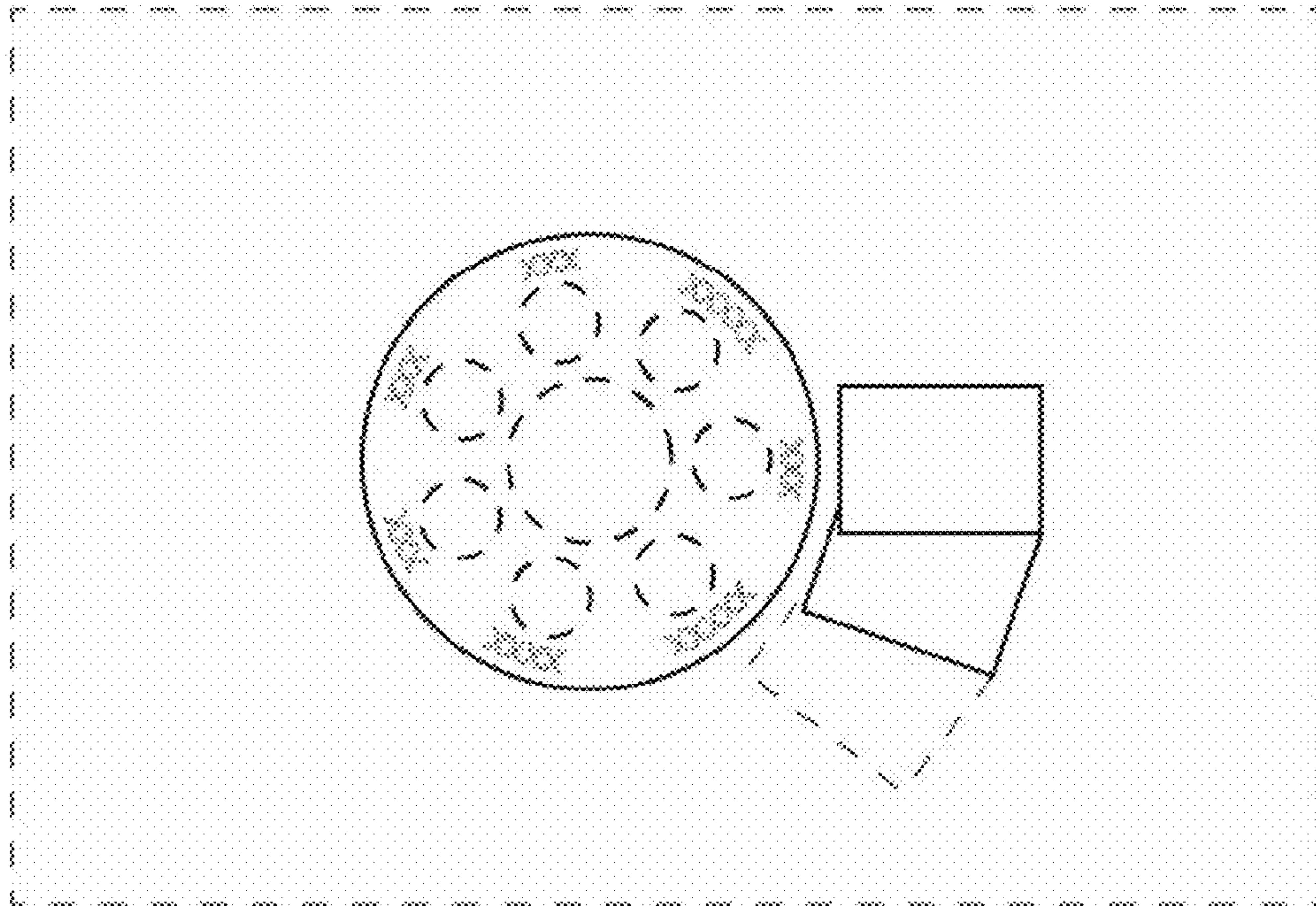


Fig. 3

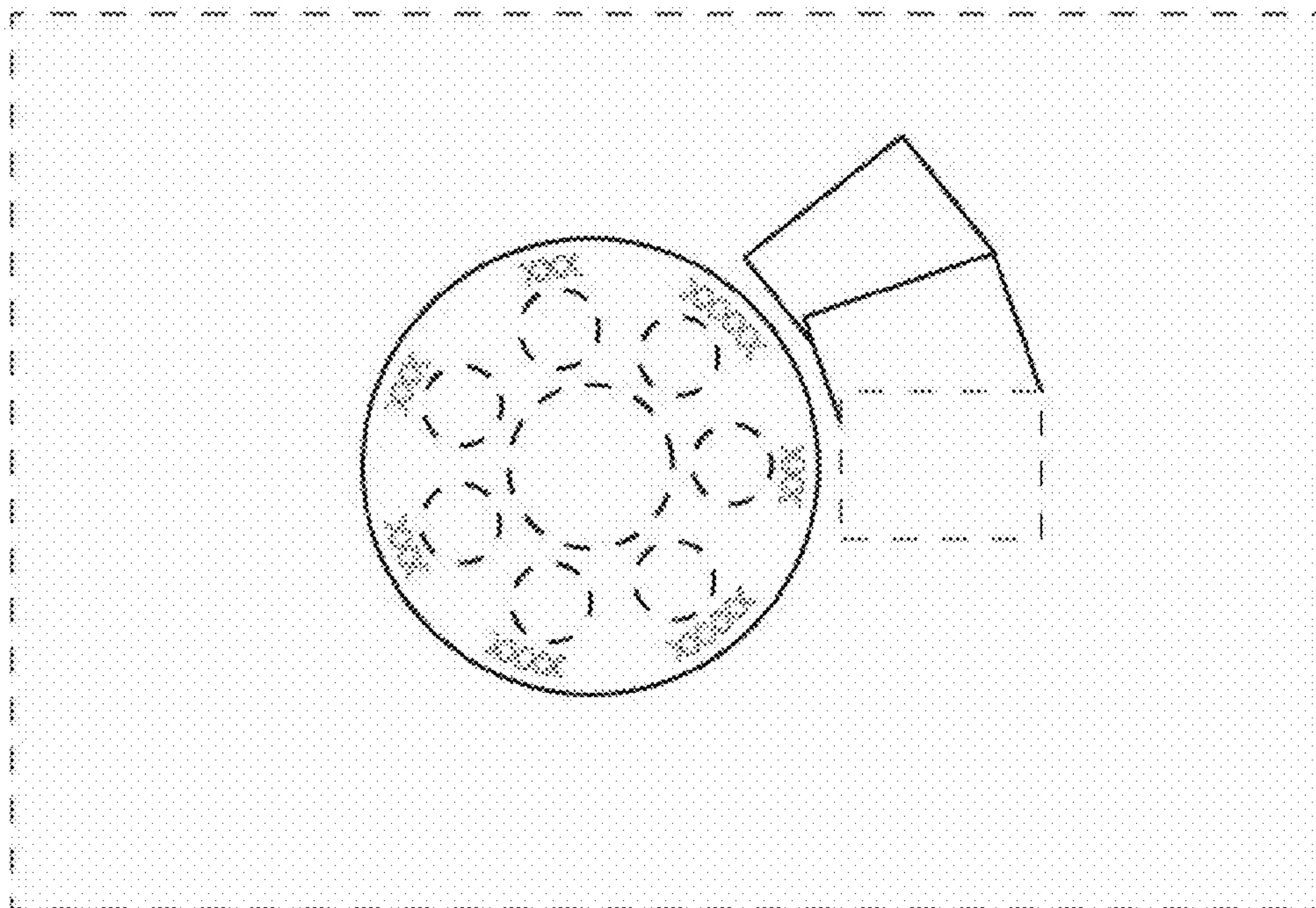


Fig. 4

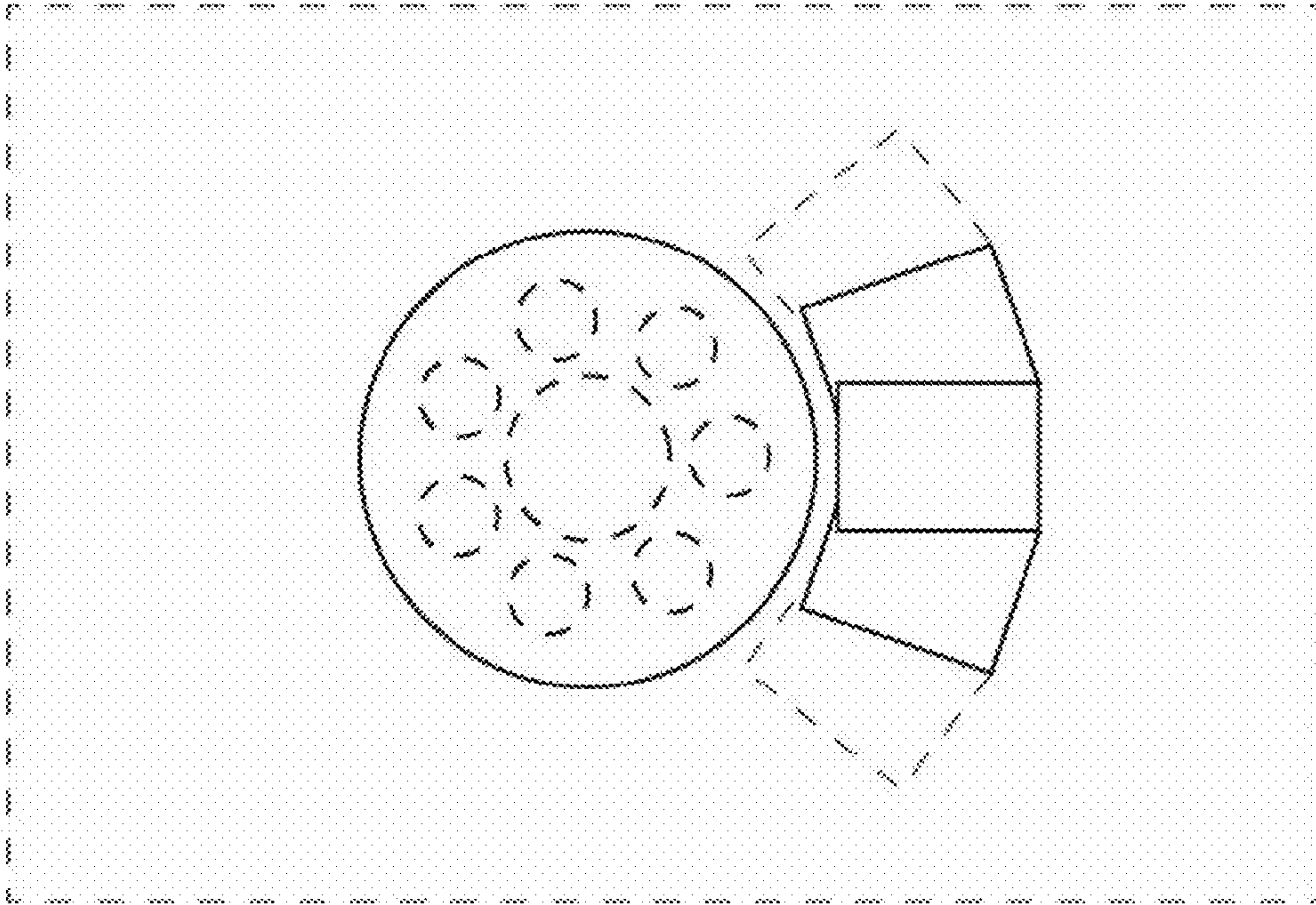


Fig. 5

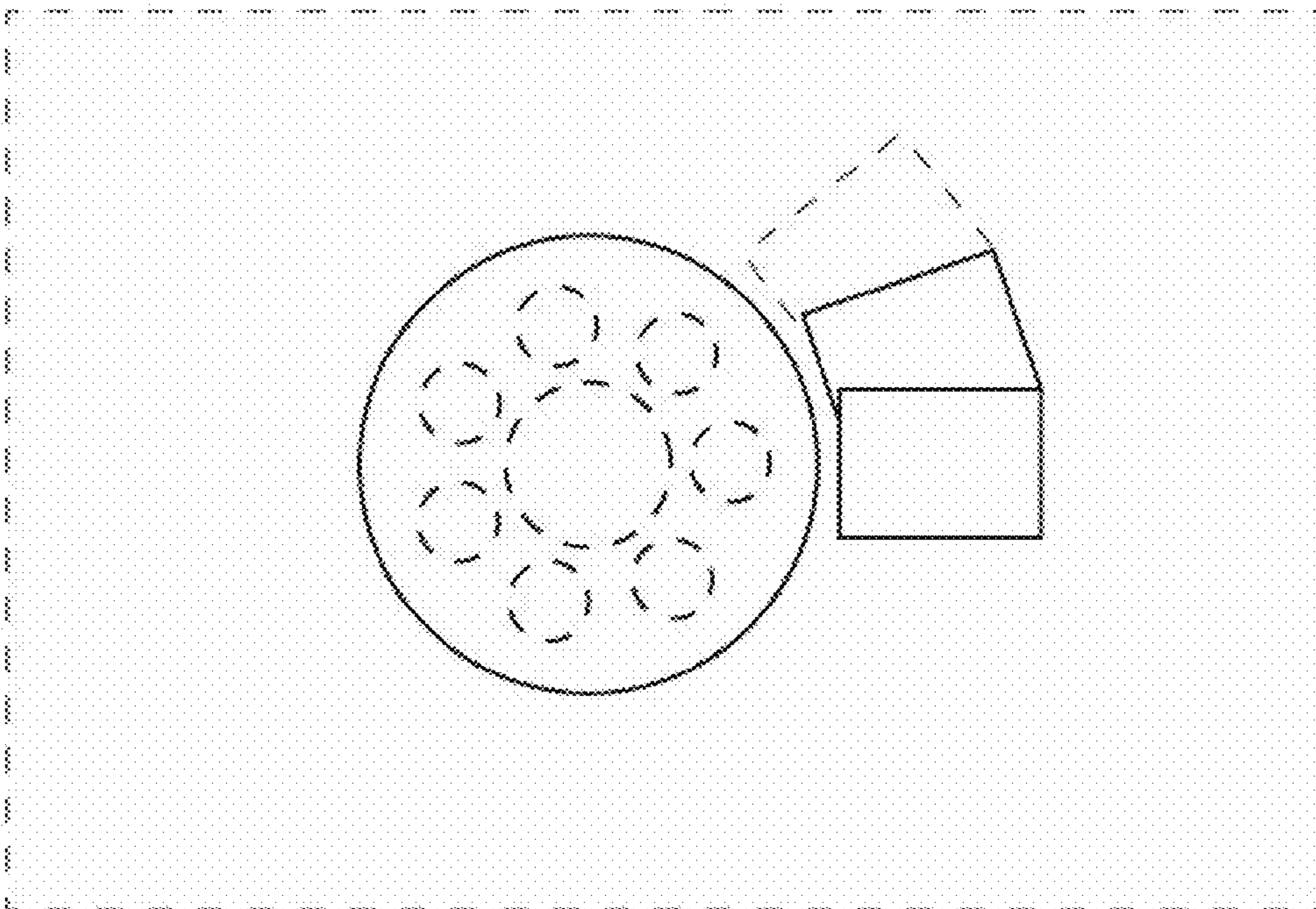


Fig. 6



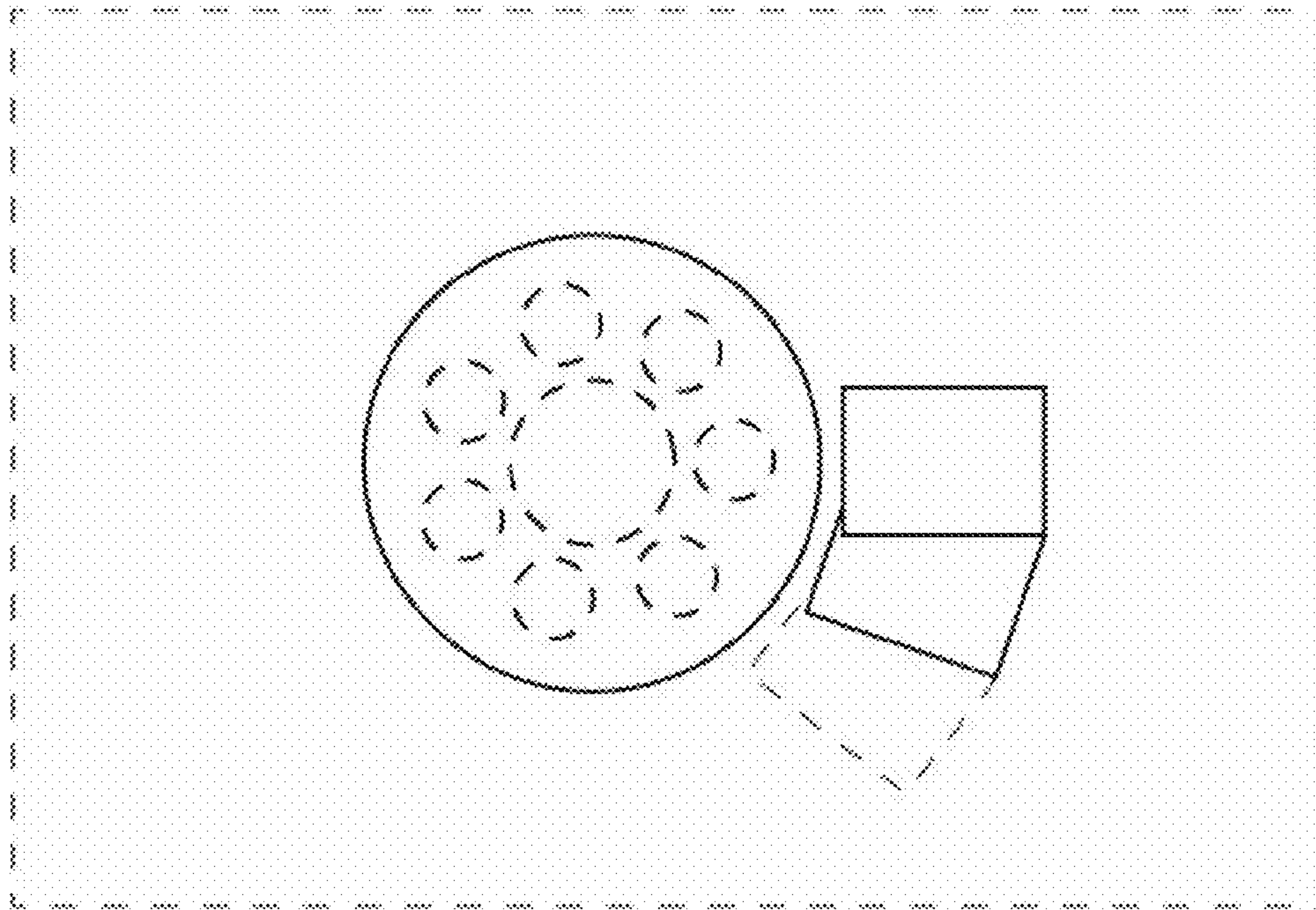


Fig. 7

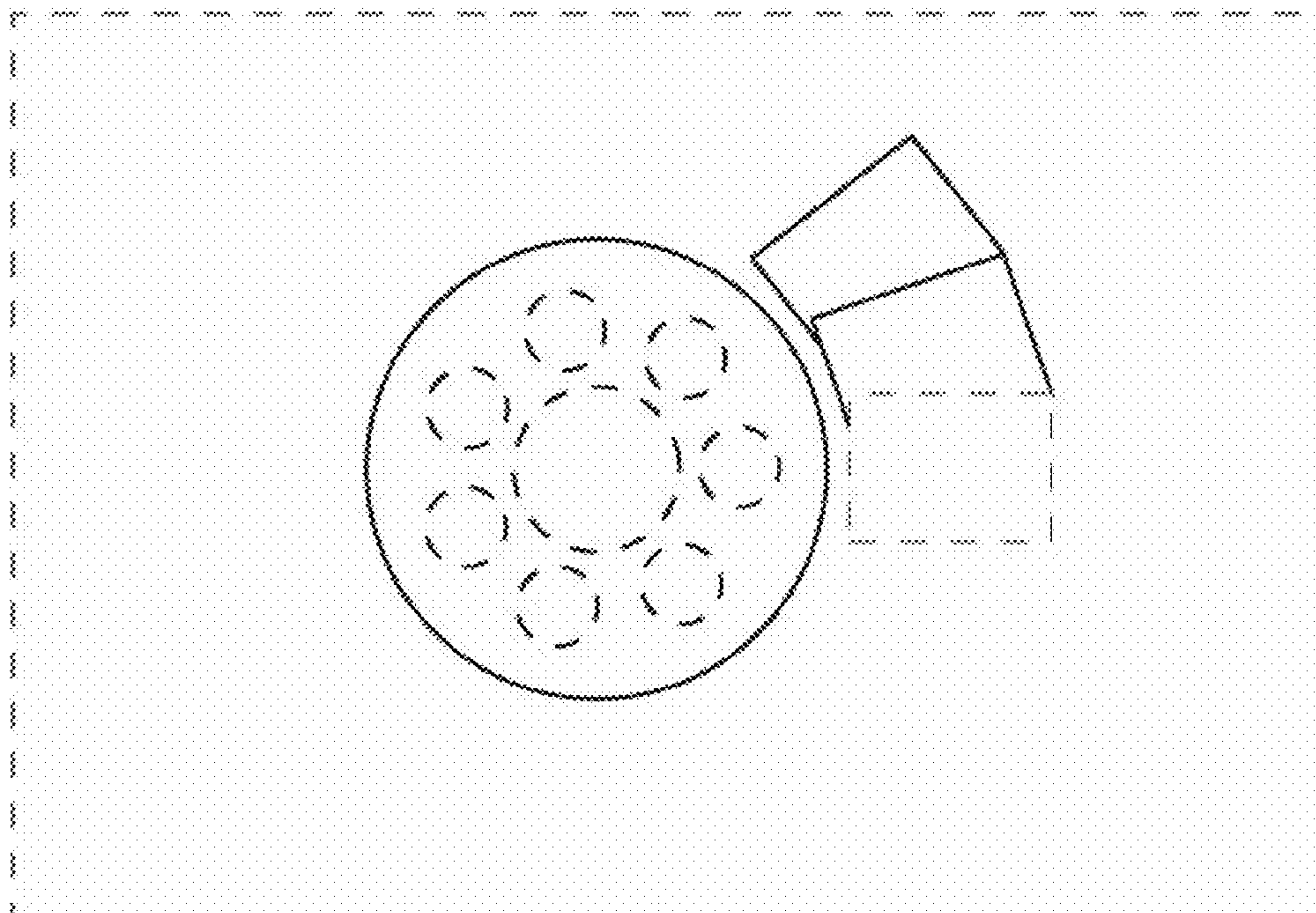


Fig. 8