



US00D764497S

(12) **United States Design Patent**
Seo et al.

(10) **Patent No.:** **US D764,497 S**
(45) **Date of Patent:** **** Aug. 23, 2016**

(54) **DISPLAY SCREEN OR PORTION THEREOF WITH ANIMATED GRAPHICAL USER INTERFACE**

(71) Applicant: **Samsung Electronics Co., Ltd.**,
Suwon-si (KR)

(72) Inventors: **Jang-Won Seo**, Seoul (KR); **Yoo-Jin Choi**, Seoul (KR); **Woo-Seok Hwang**, Seoul (KR)

(73) Assignee: **Samsung Electronics Co., Ltd.**,
Suwon-si (KR)

(**) Term: **15 Years**

(21) Appl. No.: **29/528,749**

(22) Filed: **Jun. 1, 2015**

(30) **Foreign Application Priority Data**

Dec. 31, 2014 (KR) 30-2014-0064628

(51) **LOC (10) Cl.** **14-04**

(52) **U.S. Cl.**
USPC **D14/485**; D14/489; D14/488

(58) **Field of Classification Search**
USPC D14/485-495; D18/32; D20/11, 22, 27, D20/28, 39, 40; D21/329
CPC G06F 3/048-3/04897; G06F 3/16; G06F 3/165; G06F 3/017; G06F 2203/04808; G11B 27/022; G11B 27/031; H04M 1/72558; H04N 21/47217; H04N 7/17318
See application file for complete search history.

(56) **References Cited**

U.S. PATENT DOCUMENTS

D452,692 S * 1/2002 Fukuda D14/489
D663,744 S * 7/2012 Tanghe D14/489
D677,180 S * 3/2013 Plitkins D10/49
D724,618 S * 3/2015 Shin D14/487
D733,184 S * 6/2015 Park D14/490
D737,278 S * 8/2015 Shin D14/485
D737,325 S * 8/2015 Kim D14/489

D747,352 S * 1/2016 Lee D14/492
D750,635 S * 3/2016 Lee D14/485
D752,061 S * 3/2016 Ahn D14/485
D752,618 S * 3/2016 Lee D14/486
D752,630 S * 3/2016 Moon D14/487
2008/0229224 A1* 9/2008 Kake G06F 3/04817
715/769
2012/0066675 A1* 3/2012 Shelansky G06F 9/44526
717/178
2013/0254714 A1* 9/2013 Shin G06F 3/0488
715/810
2015/0121309 A1* 4/2015 Reed G06F 3/0481
715/824
2016/0092093 A1* 3/2016 Reese G06F 3/04847
345/173

FOREIGN PATENT DOCUMENTS

EM 002583476-0001 11/2014
KR 30-2013-0062165 4/2014

OTHER PUBLICATIONS

Case Study Taasky Apple Watch, by Antalik, dribbble [online], published Oct. 22, 2014, [retrieved Apr. 8, 2016], retrieved from the Internet <URL: <https://dribbble.com/shots/1775660-Case-study-Taasky-Apple-Watch>>.*

Abstract Digital Droplet for Video Background, shutterstock [online], last updated Jan. 13, 2014, [retrieved Jun. 13, 2014], retrieved from the Internet <URL:<http://www.shutterstock.com/video/clip-4195834-stock-footage-abstract-digital-droplet-for-video-background.html>>.*

Loader 03 WIP, by Robert, dribbble [online], published Jan. 6, 2013, [retrieved Apr. 8, 2016], retrieved from the Internet <URL:<https://dribbble.com/shots/882638Loader03WIPAnimationGIF?list=searches&tag=loading&offset=24>>.*

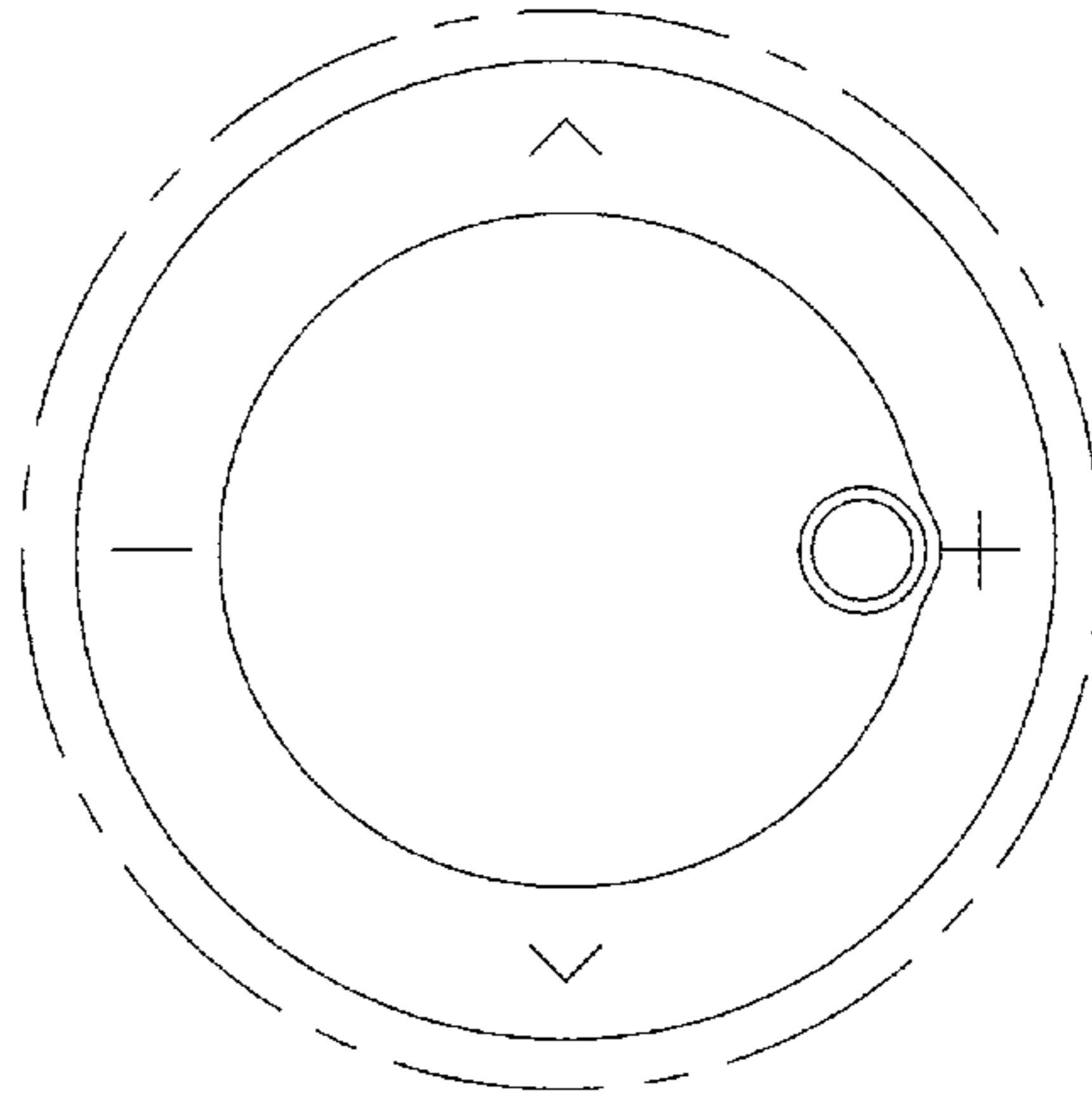
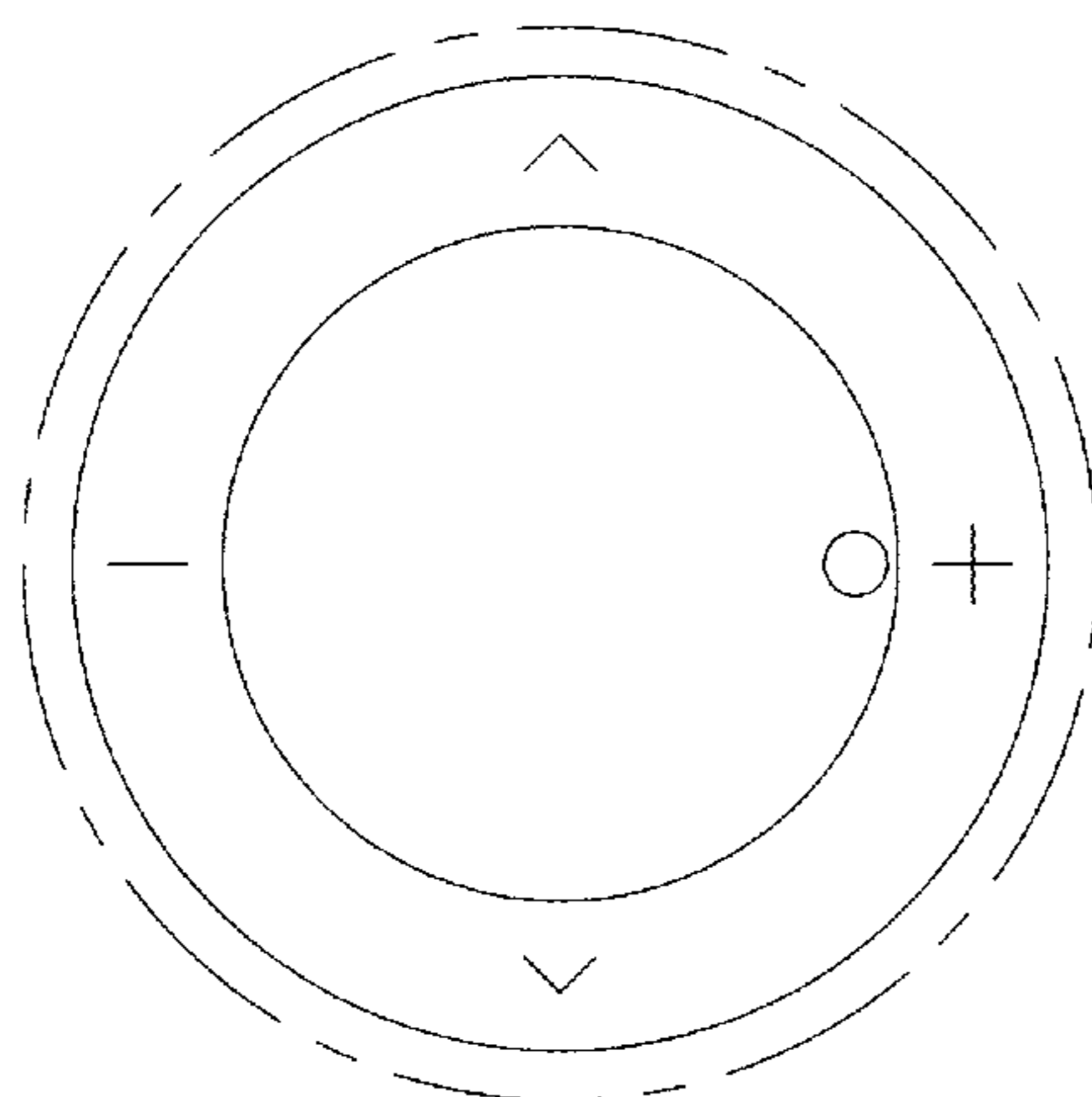
Greg Kumparak "Dear Car Makers: Please Hire People Like This" [2014] [www.techcrunch.com](http://techcrunch.com) Feb. 18, 2014 <<http://techcrunch.com/2014/02/18/dear-car-makers-please-hire-people-like-this/>>.

* cited by examiner

Primary Examiner — Cathron Brooks

Assistant Examiner — Ian Whitmore

(74) *Attorney, Agent, or Firm* — NSIP Law



(57)

CLAIM

We claim the ornamental design for a display screen or portion thereof with animated graphical user interface, as shown and described.

DESCRIPTION

FIG. 1 is the first image in a sequence for a display screen or portion thereof with animated graphical user interface showing our new design;

FIG. 2 is the second image thereof;

FIG. 3 is the third image thereof;

FIG. 4 is the fourth image thereof;

FIG. 5 is the fifth image thereof;

FIG. 6 is the sixth image thereof;

FIG. 7 is the seventh image thereof;

FIG. 8 is the eighth image thereof;

FIG. 9 is the ninth image thereof;

FIG. 10 is the tenth image thereof;

FIG. 11 is the eleventh image thereof;

FIG. 12 is the twelfth image thereof;

FIG. 13 is the first image of the sequence in FIGS. 1-12, shown in the example environment of a display screen.

FIG. 14 is the second image thereof.

FIG. 15 is the third image thereof.

FIG. 16 is the fourth image thereof.

FIG. 17 is the fifth image thereof.

FIG. 18 is the sixth image thereof.

FIG. 19 is the seventh image thereof.

FIG. 20 is the eighth image thereof.

FIG. 21 is the ninth image thereof.

FIG. 22 is the tenth image thereof.

FIG. 23 is the eleventh image thereof; and,

FIG. 24 is the twelfth image thereof.

The appearance of the animated user interface sequentially transitions between the images shown in FIGS. 1-12 and 13-24. The process or period in which one image transitions to another forms no part of the claimed design.

The evenly spaced broken lines in FIGS. 13-24 illustrate a display screen and portions of a graphical user interface, and form no part of the claimed design.

The dot-dash lines illustrate a display screen or portion thereof, and define the boundary of the claimed design. The dot dash lines form no part of the claimed design.

1 Claim, 18 Drawing Sheets

FIG. 1

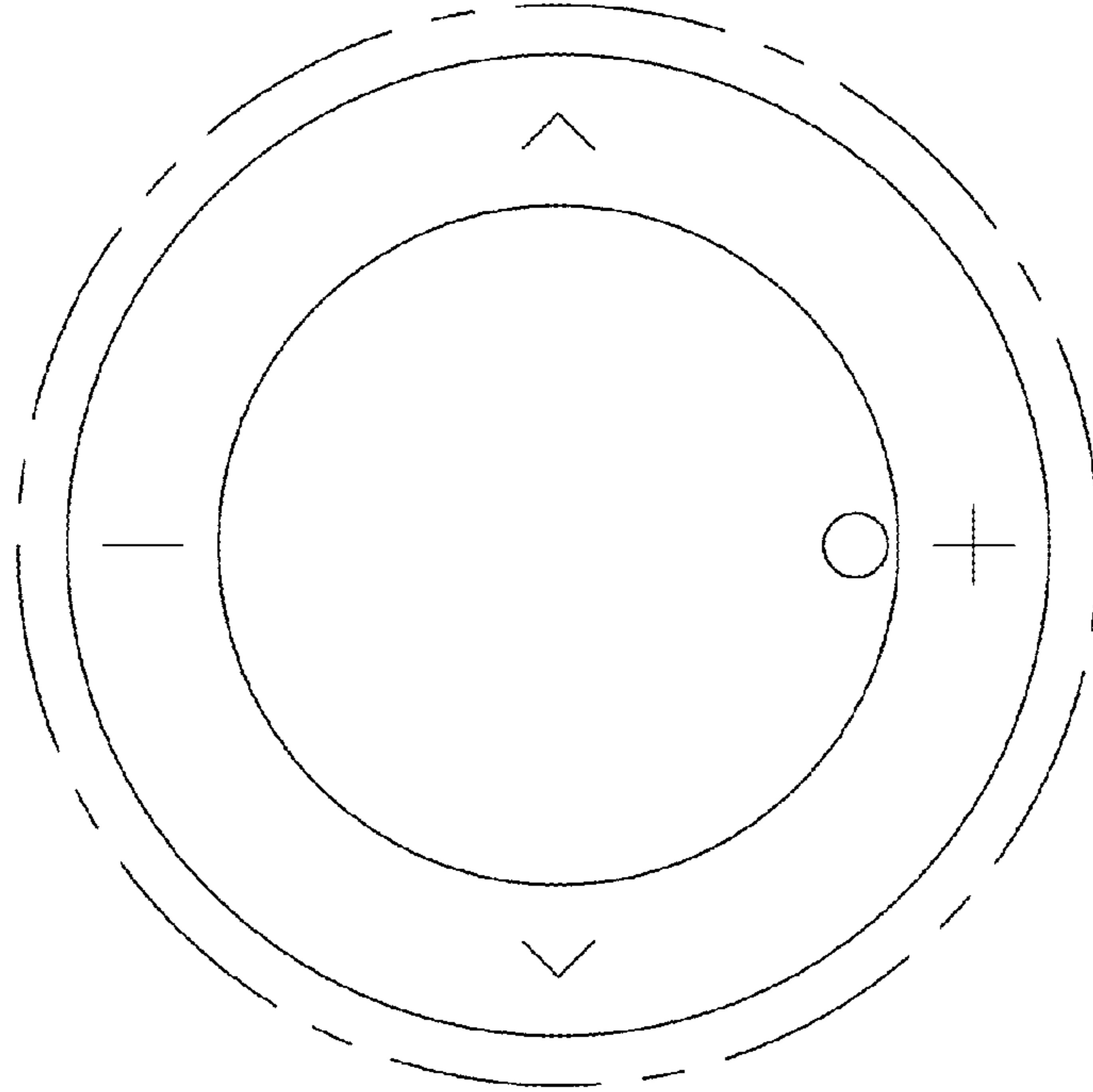


FIG. 2

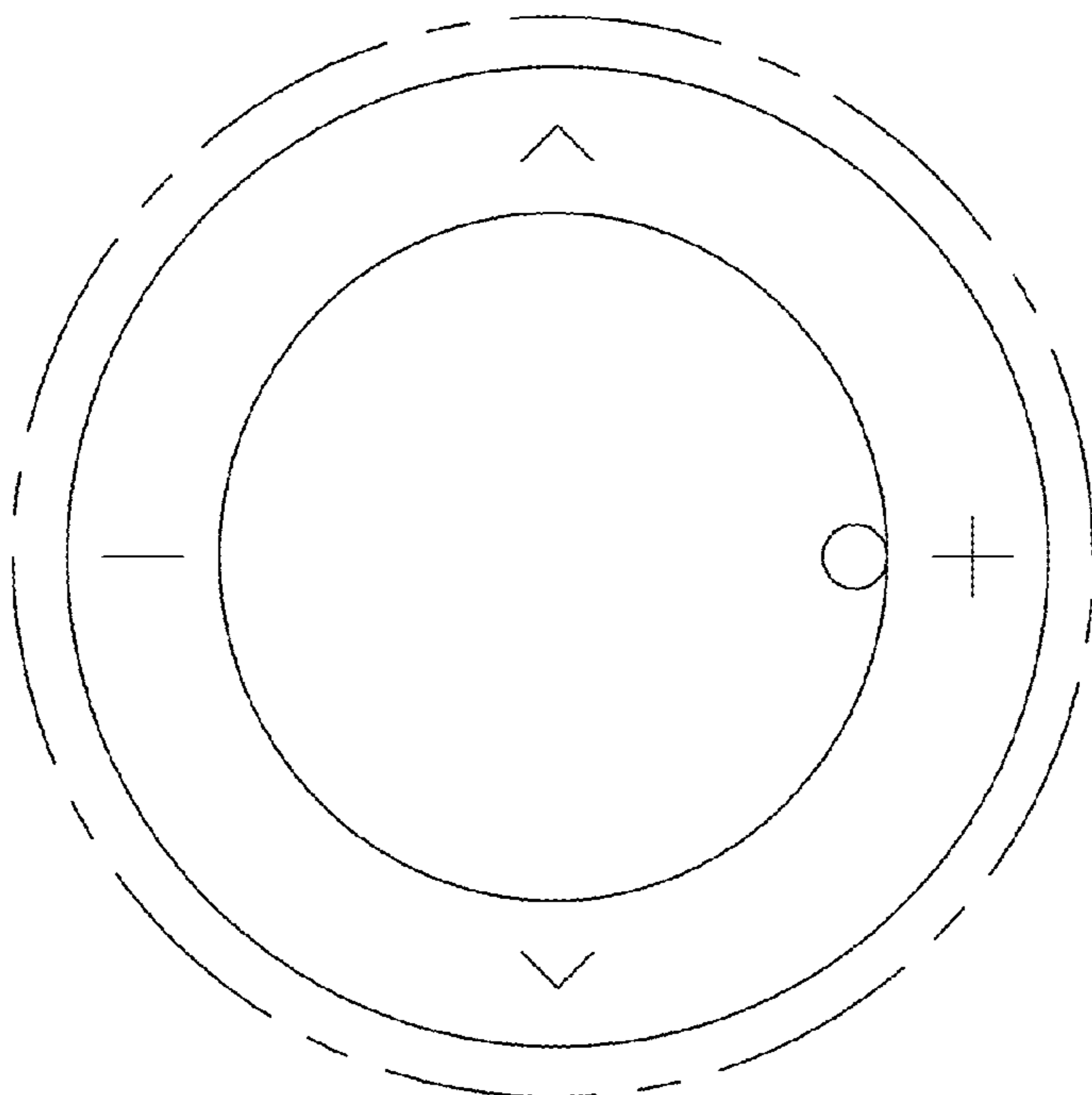


FIG. 3

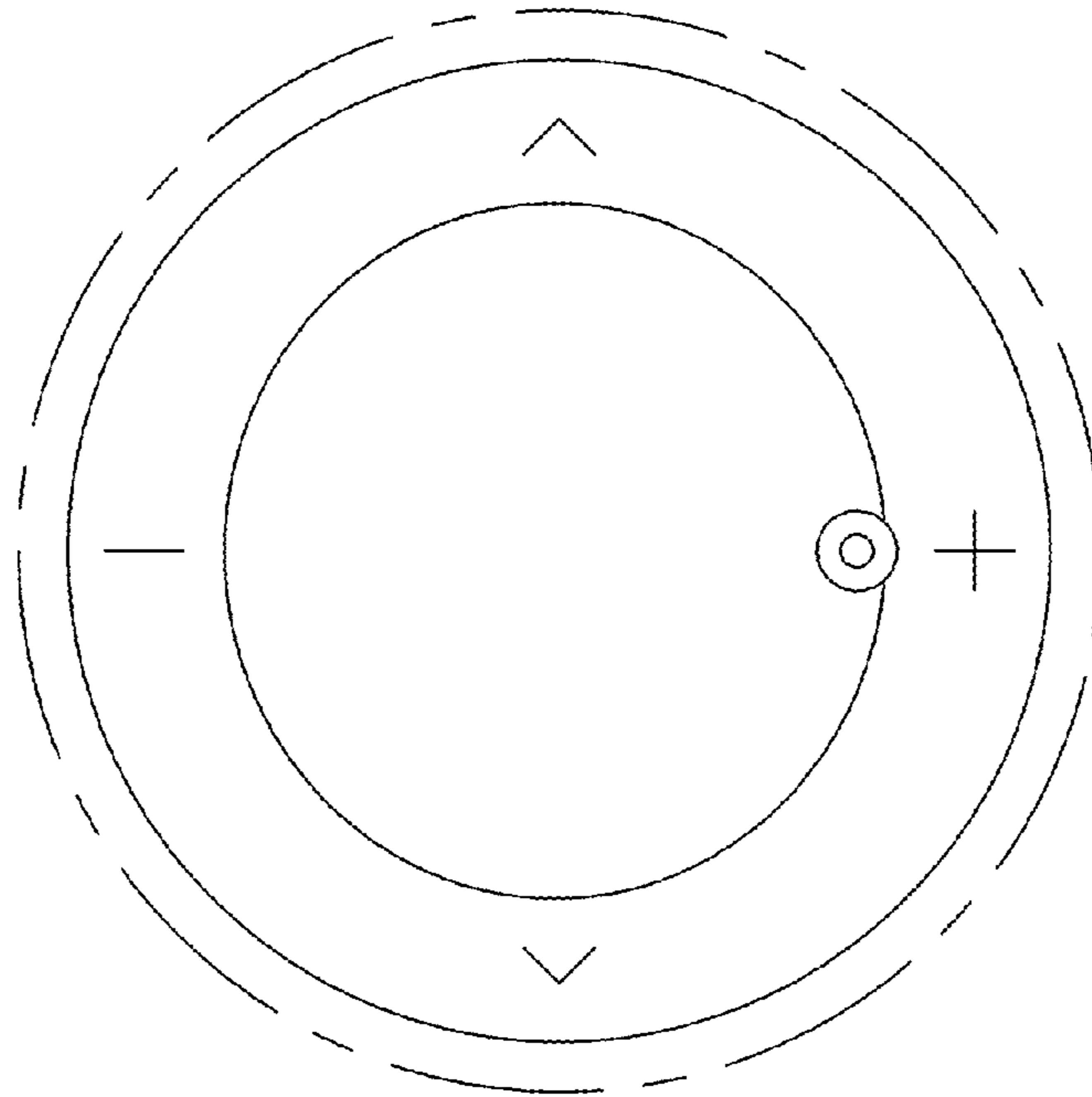


FIG. 4

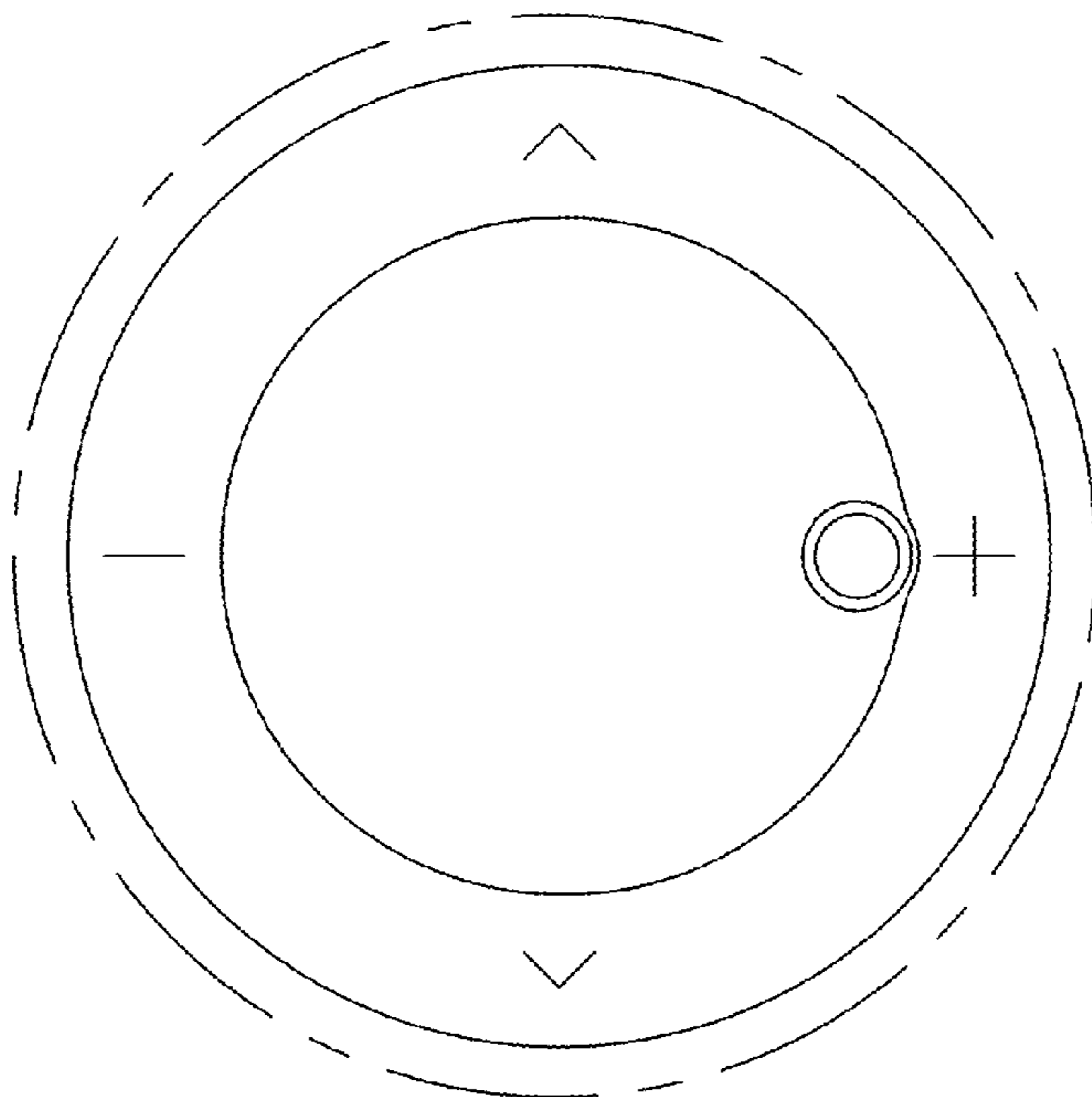


FIG. 5

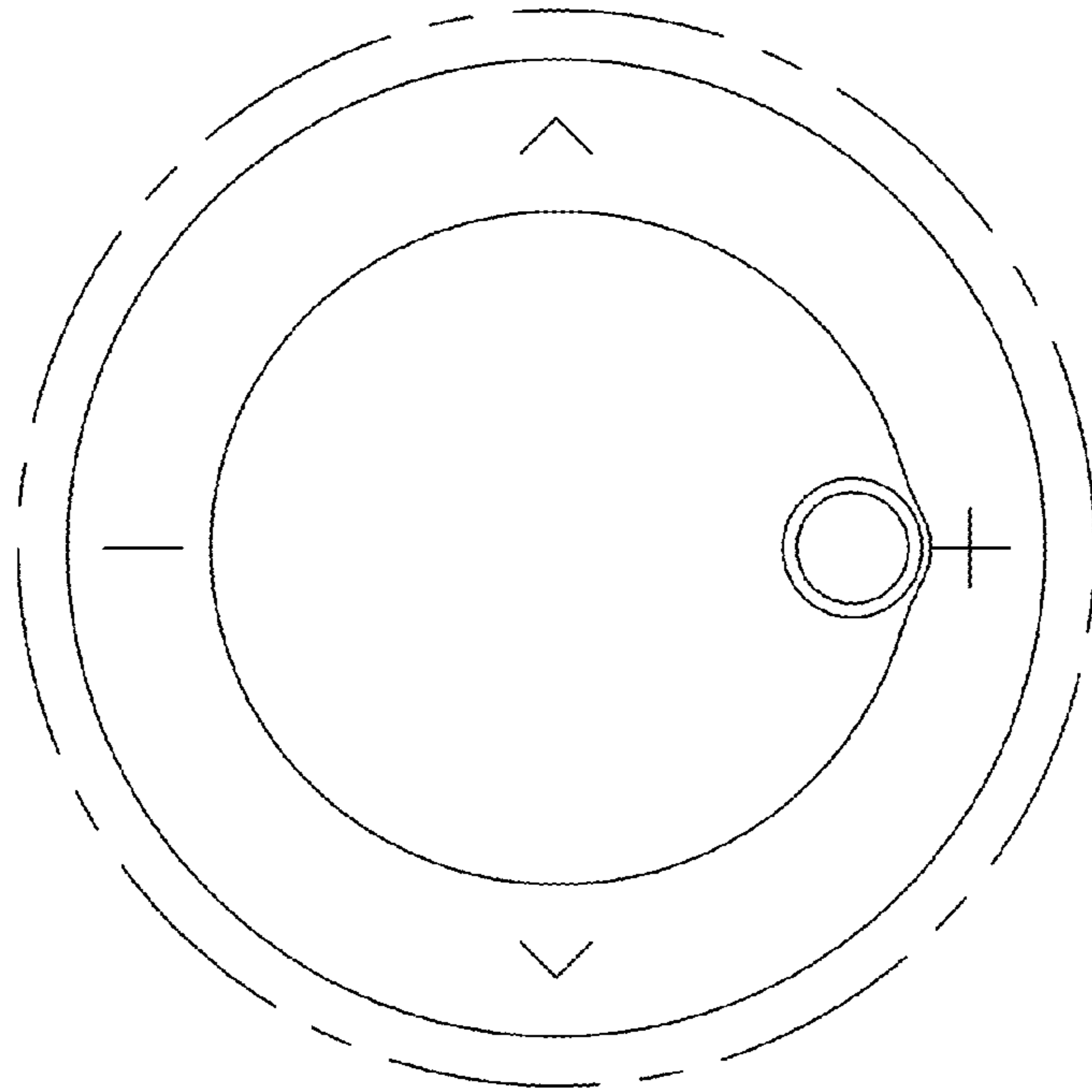


FIG. 6

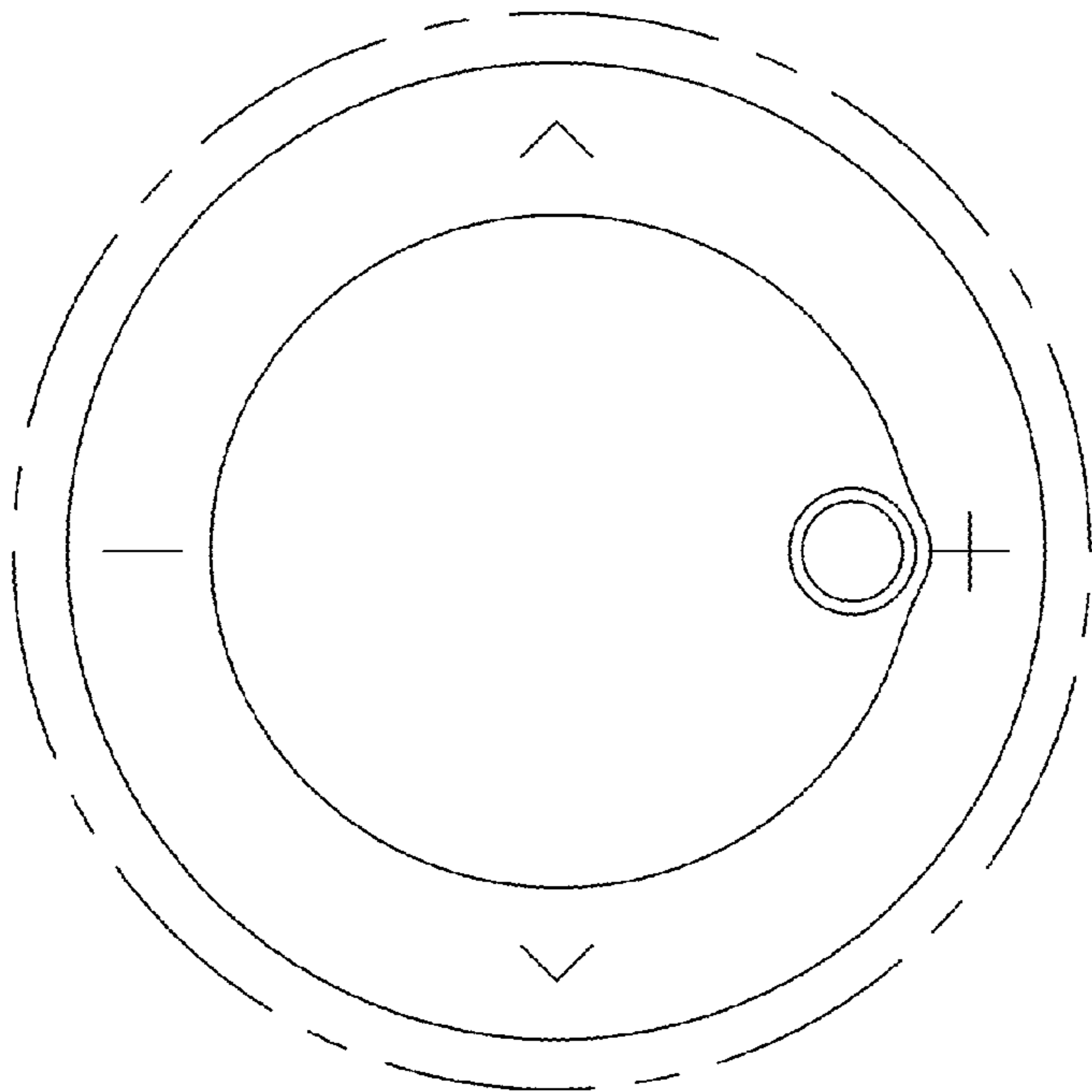


FIG. 7

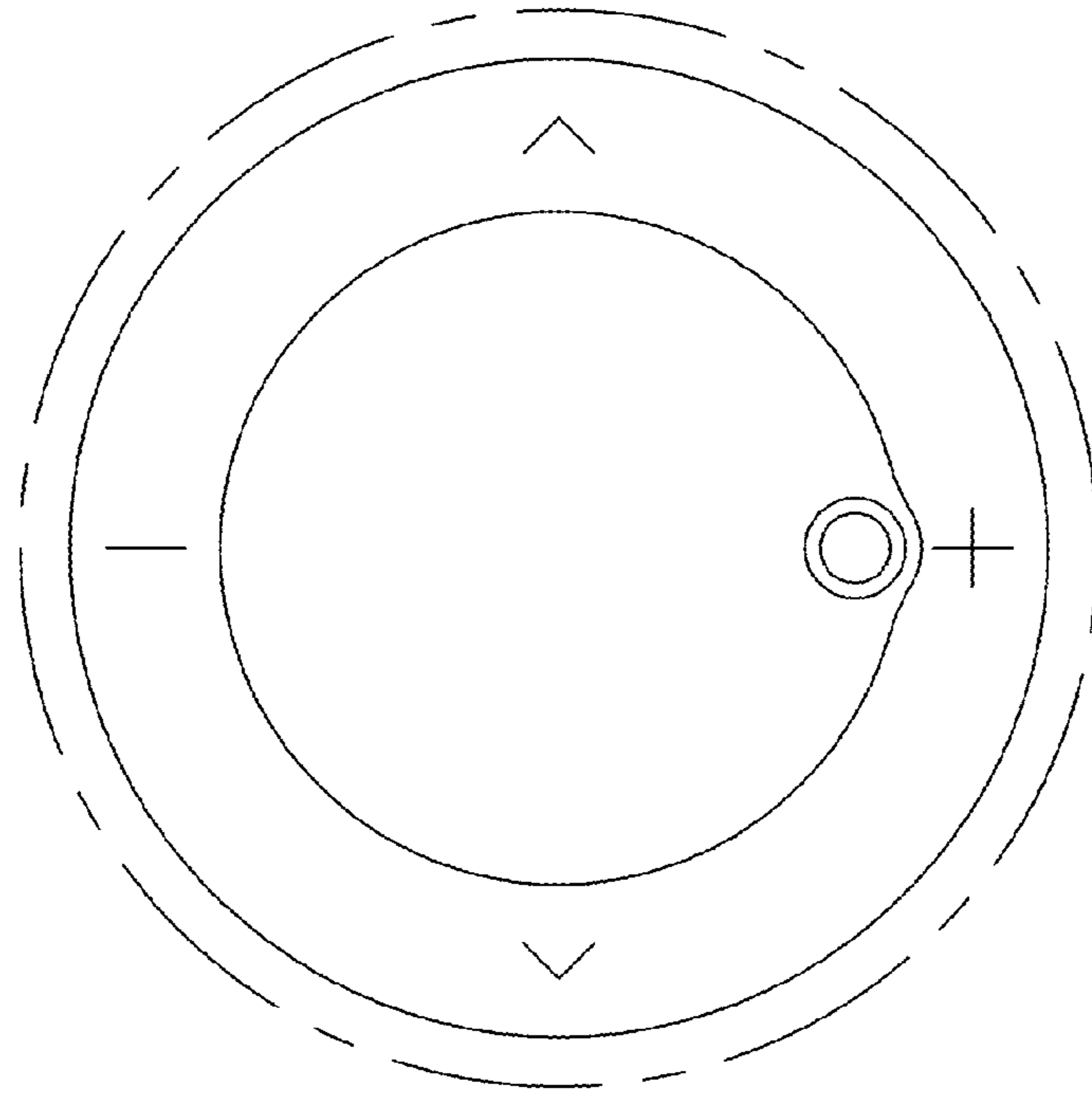


FIG. 8

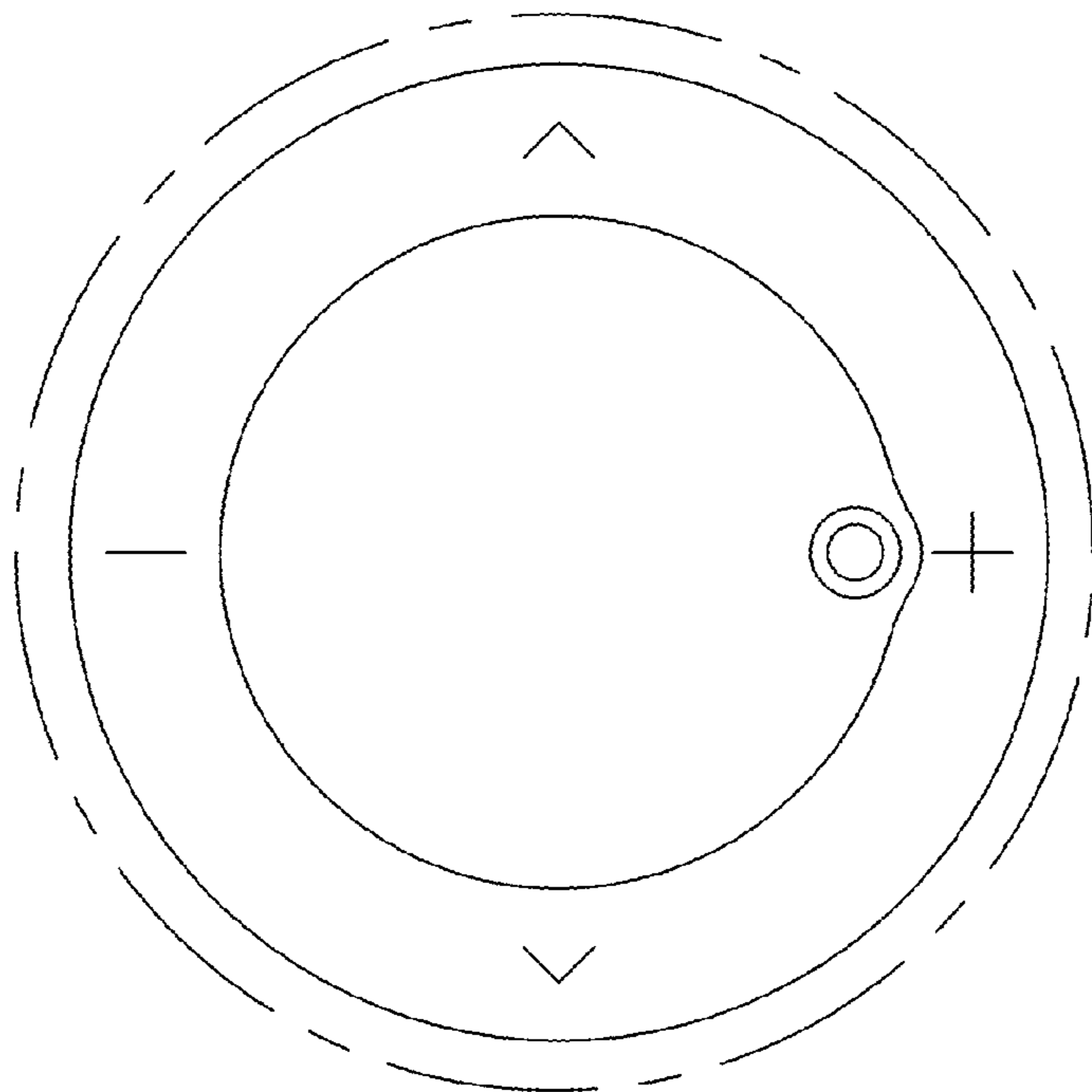


FIG. 9

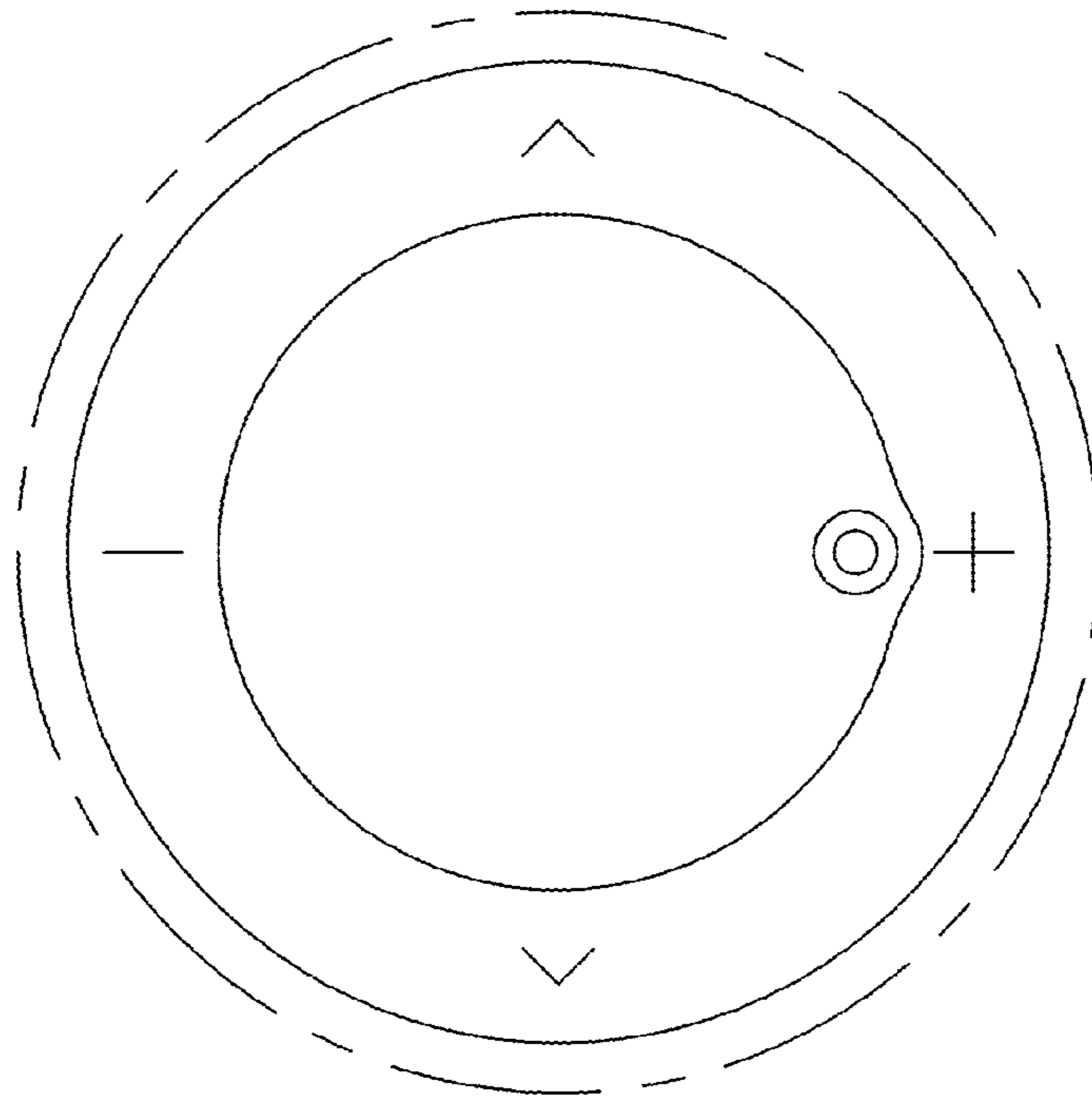


FIG. 10

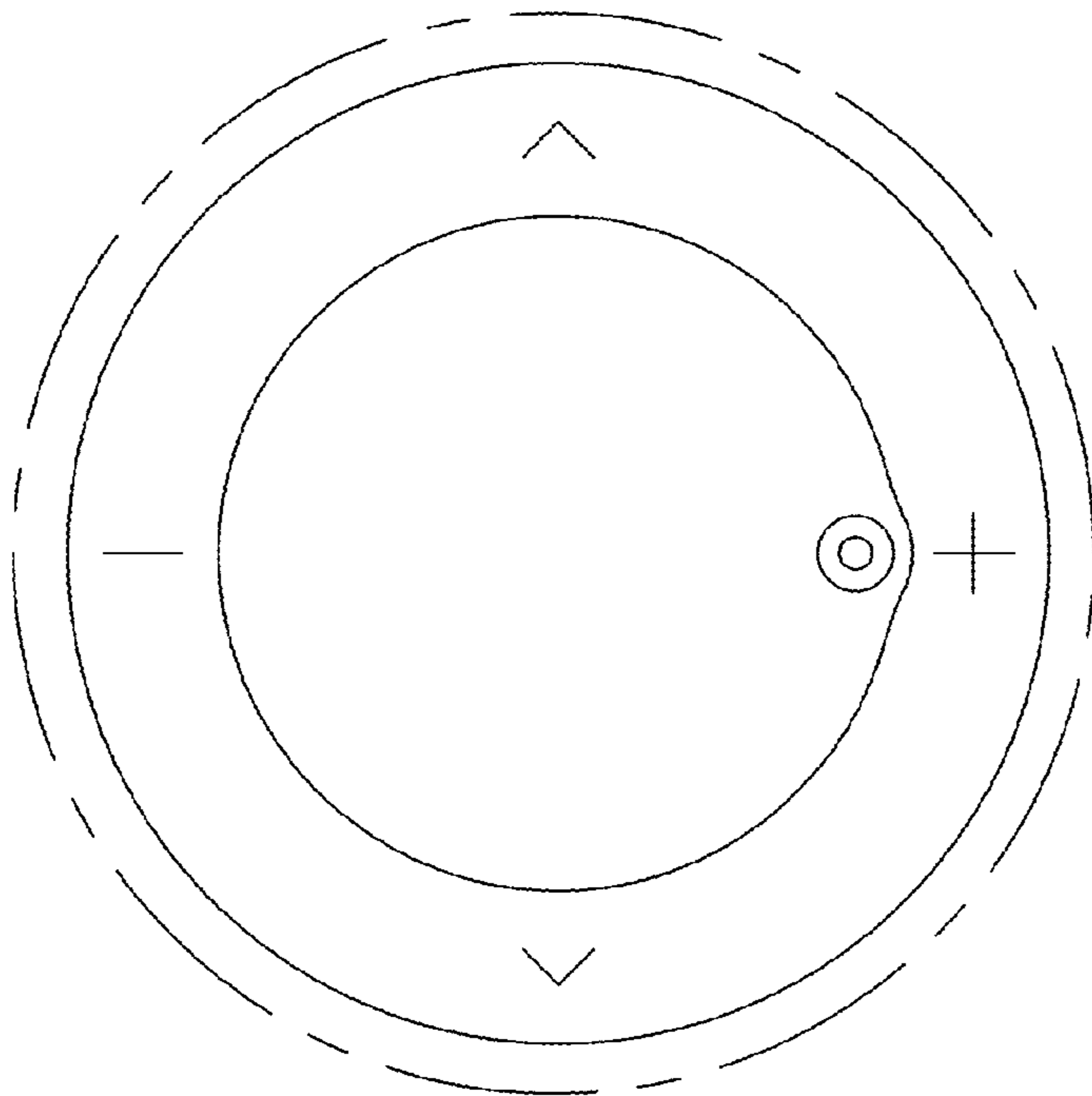


FIG. 11

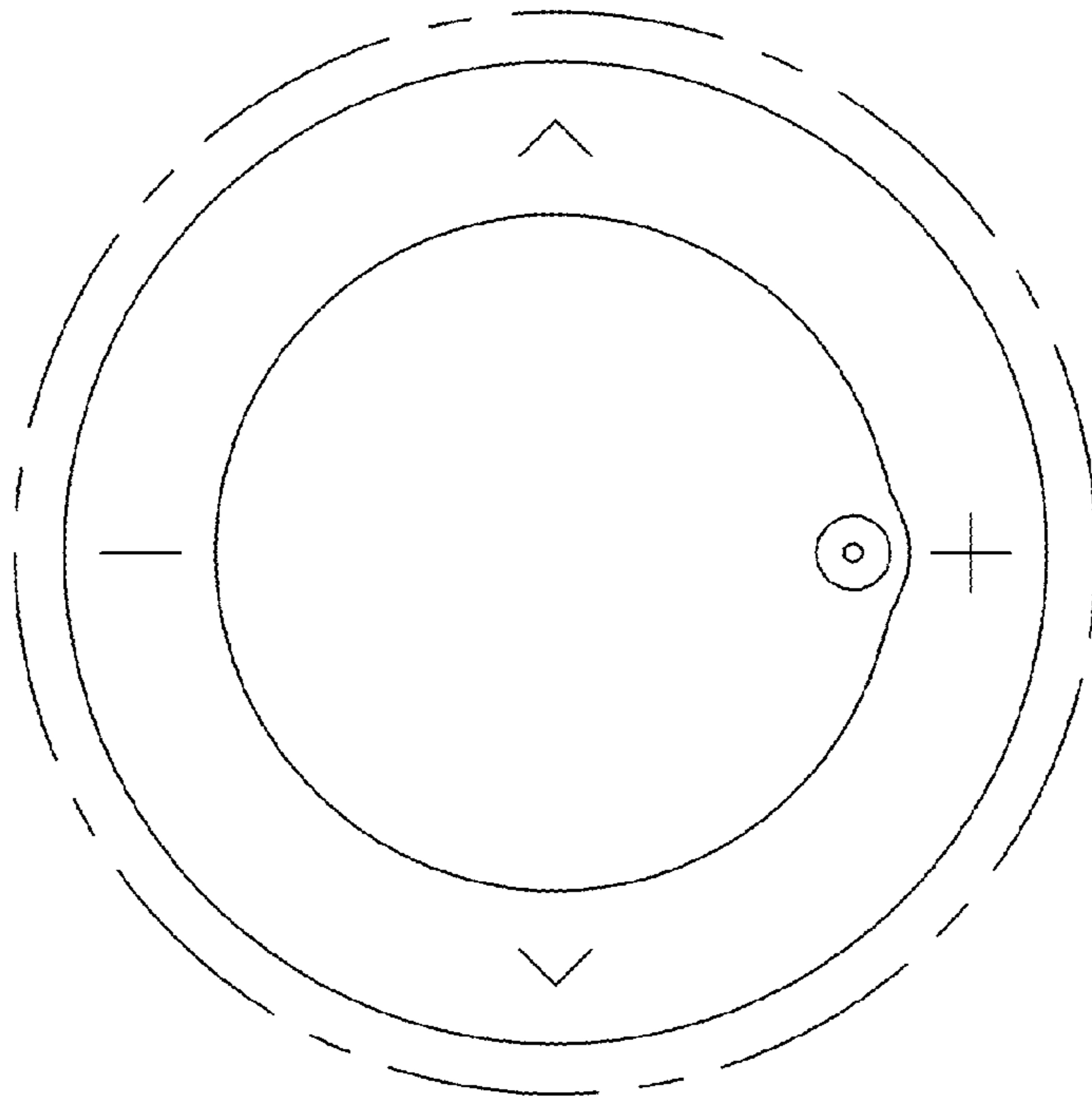


FIG. 12

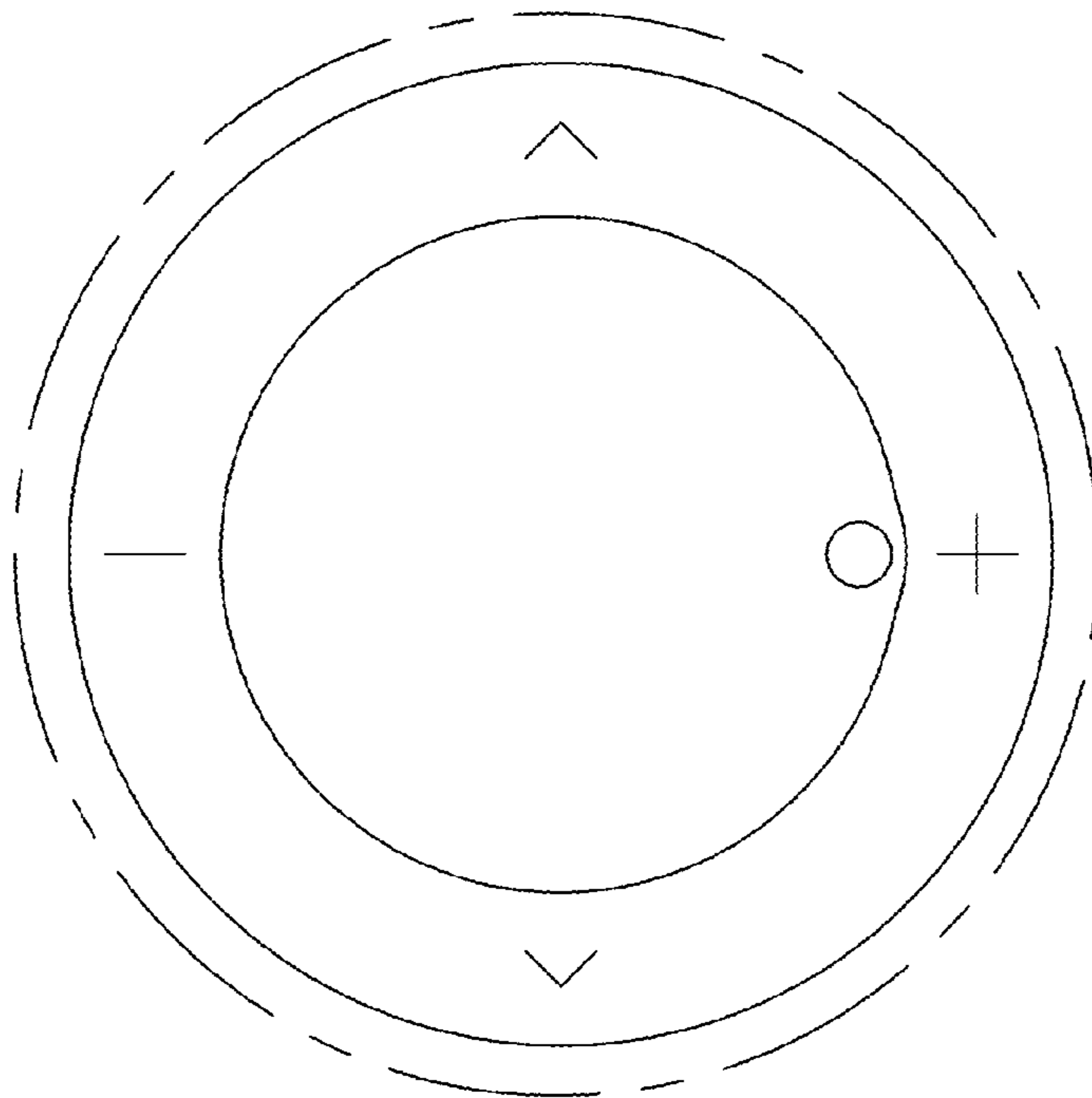


FIG. 13

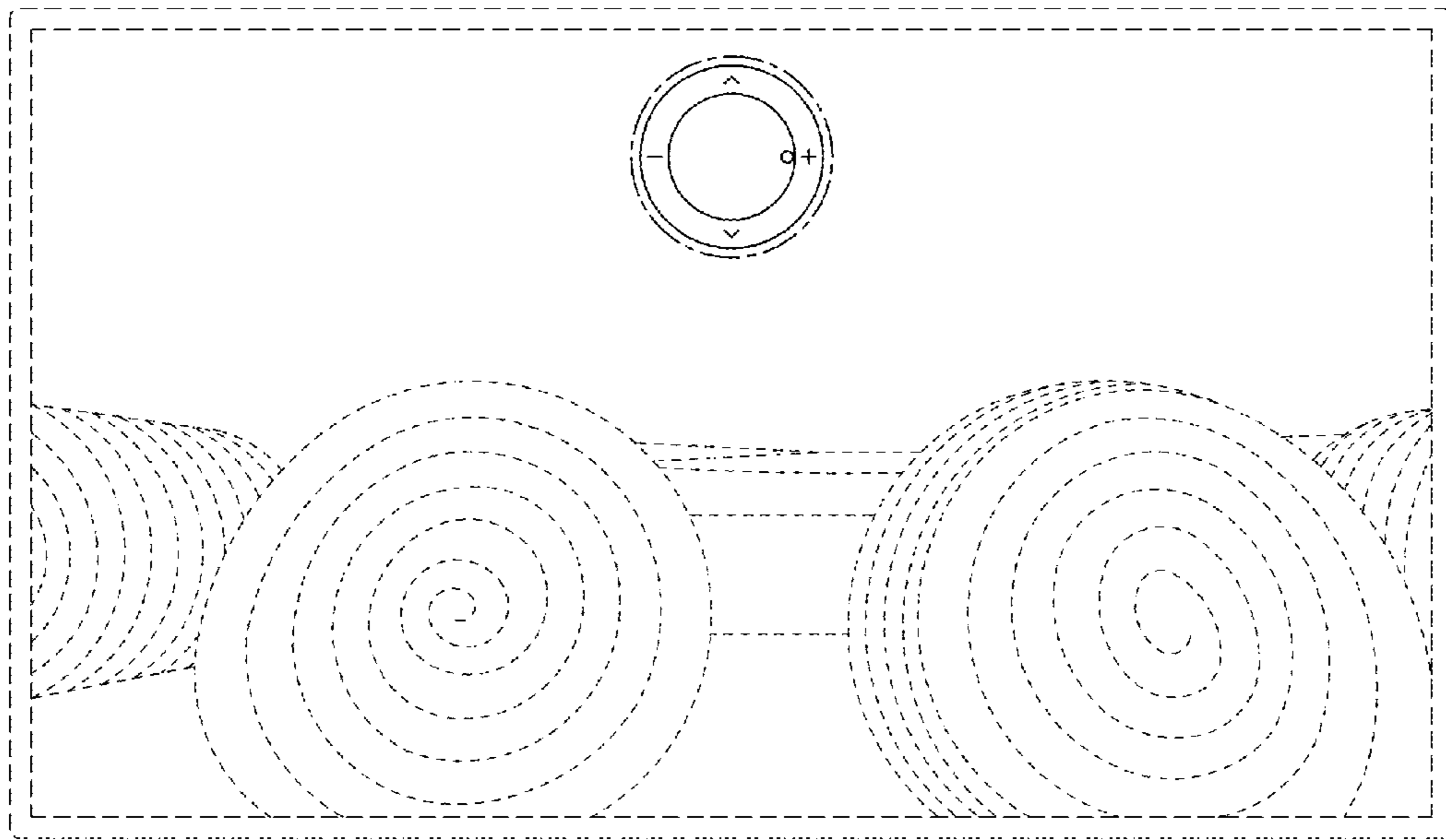


FIG. 14

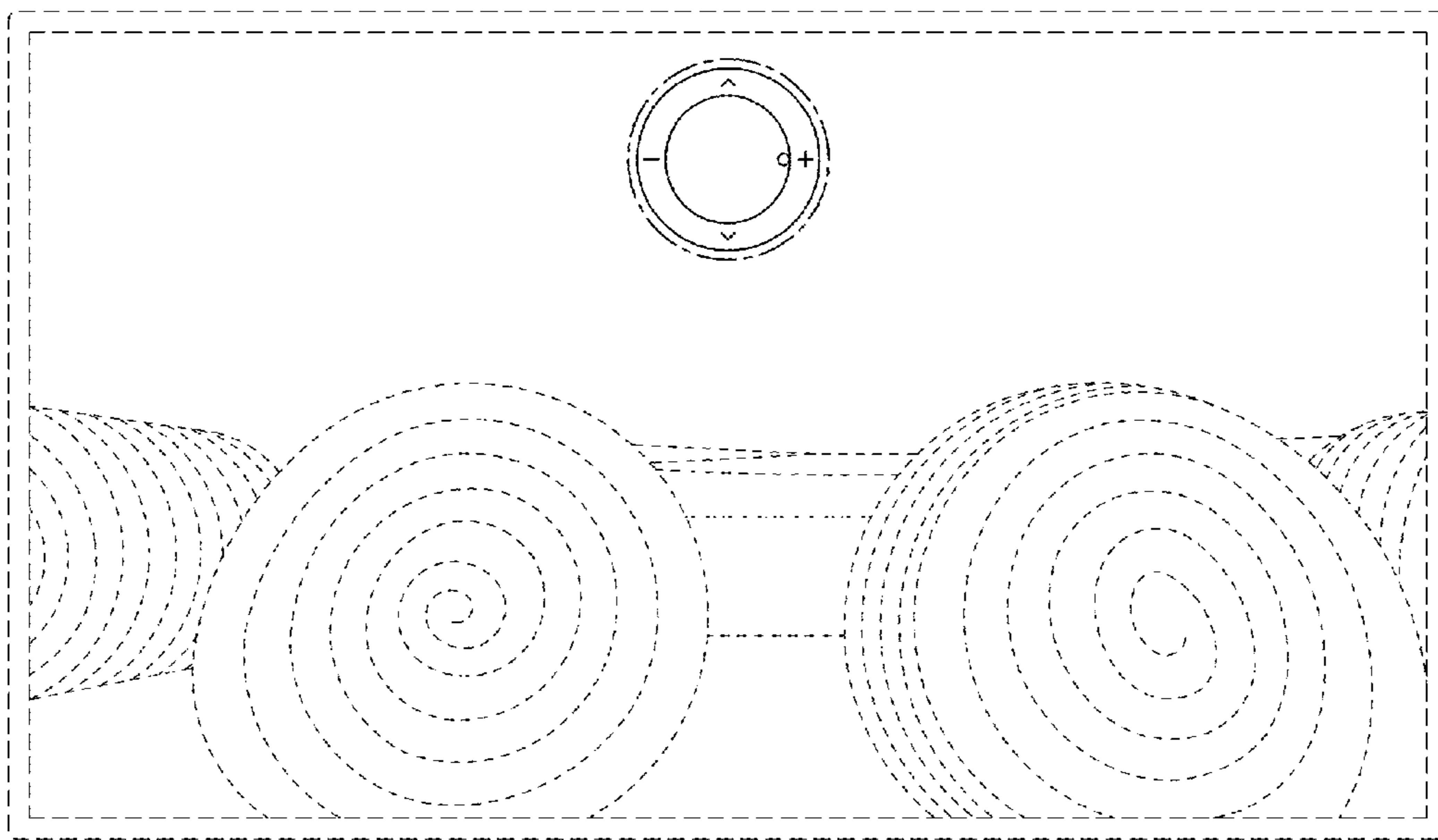


FIG. 15

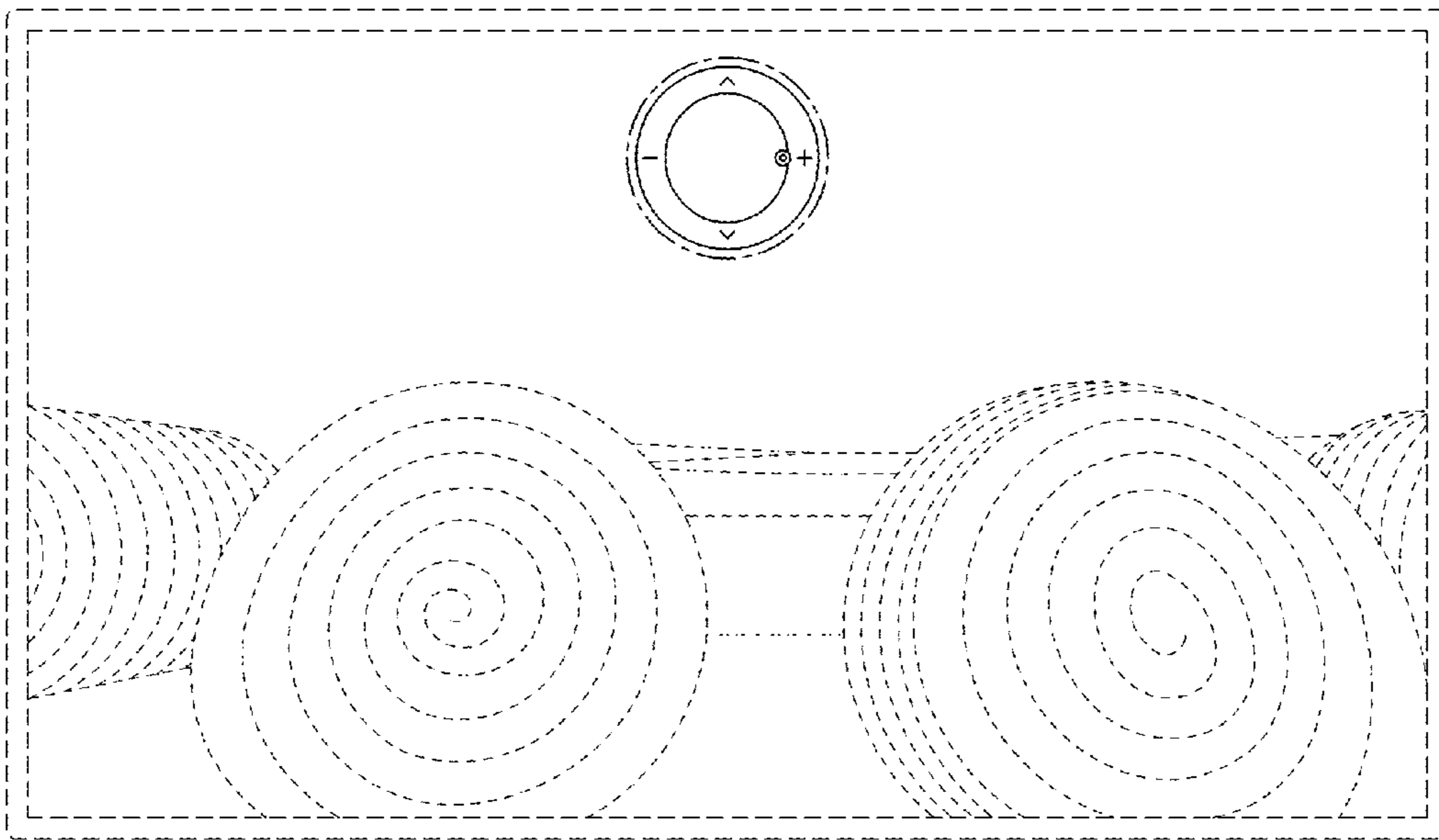


FIG. 16

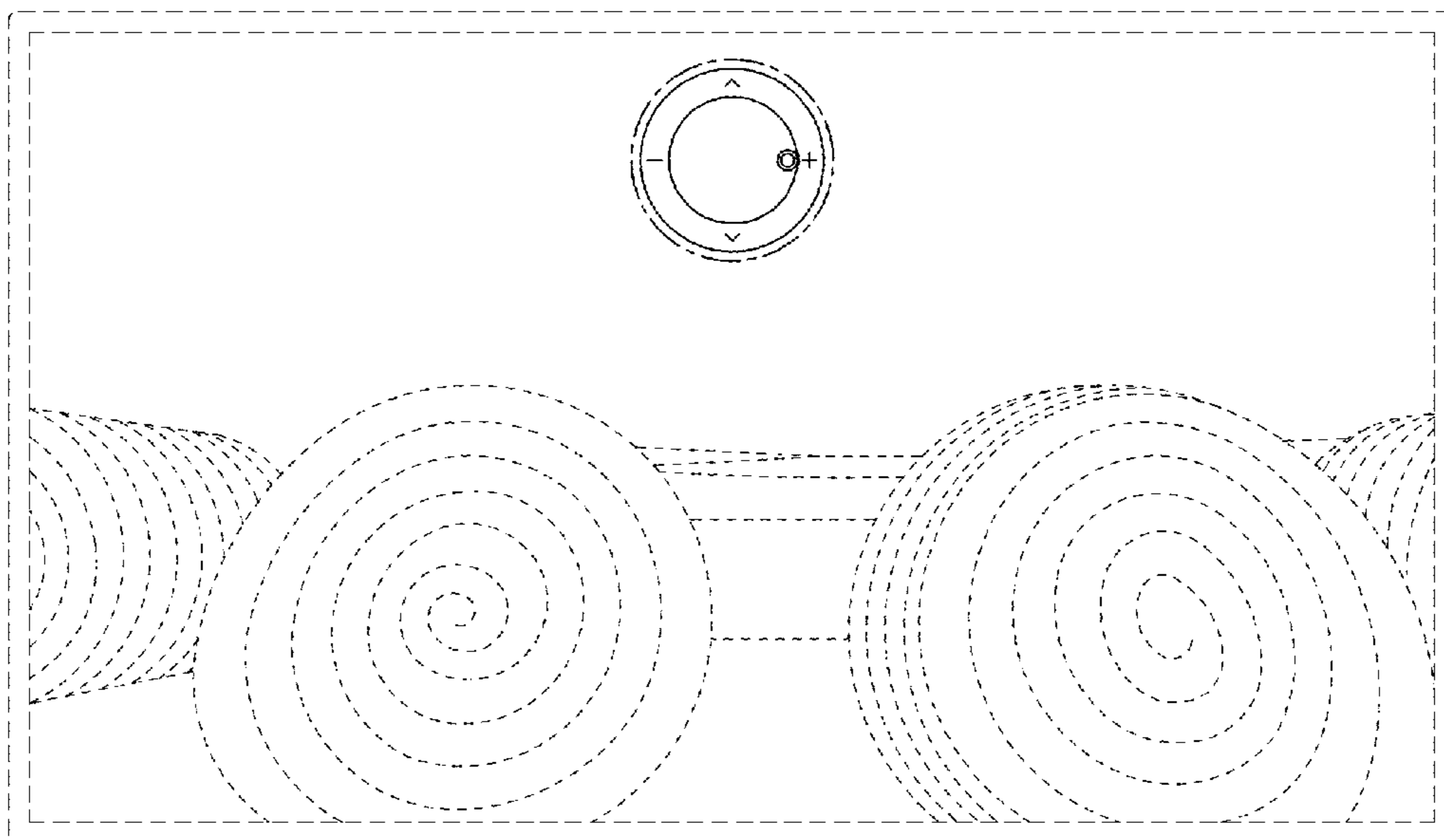


FIG. 17

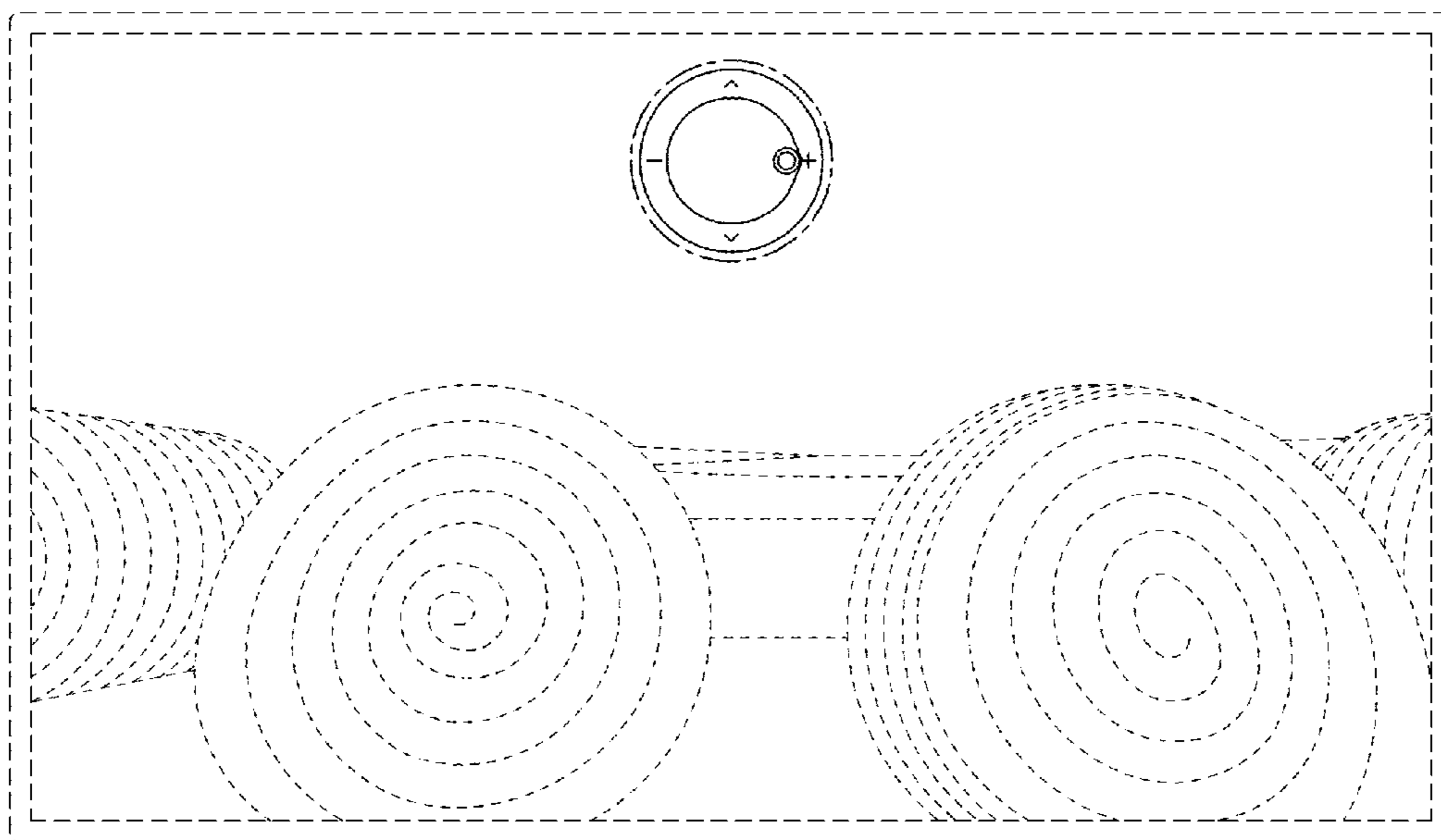


FIG. 18

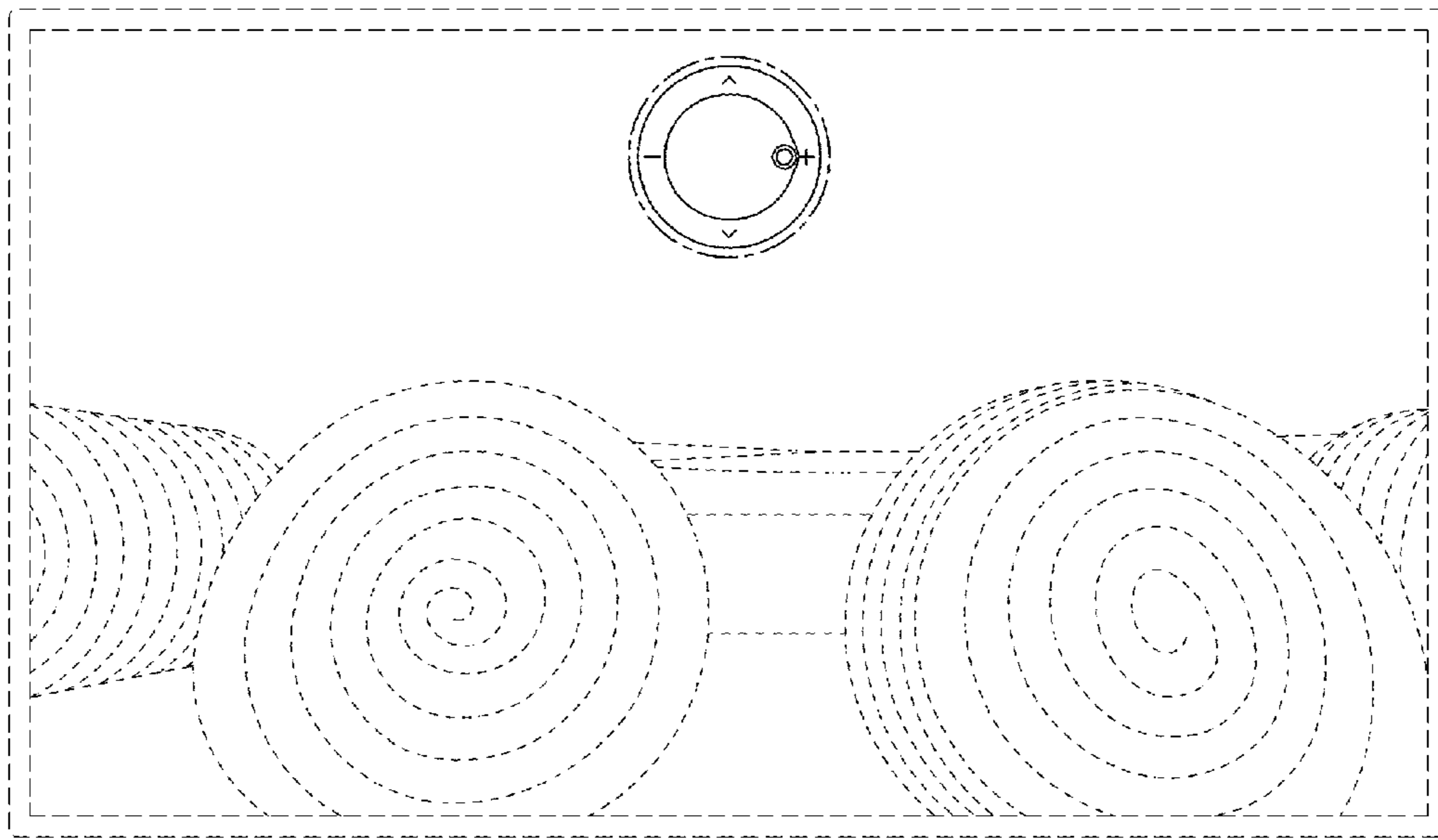


FIG. 19

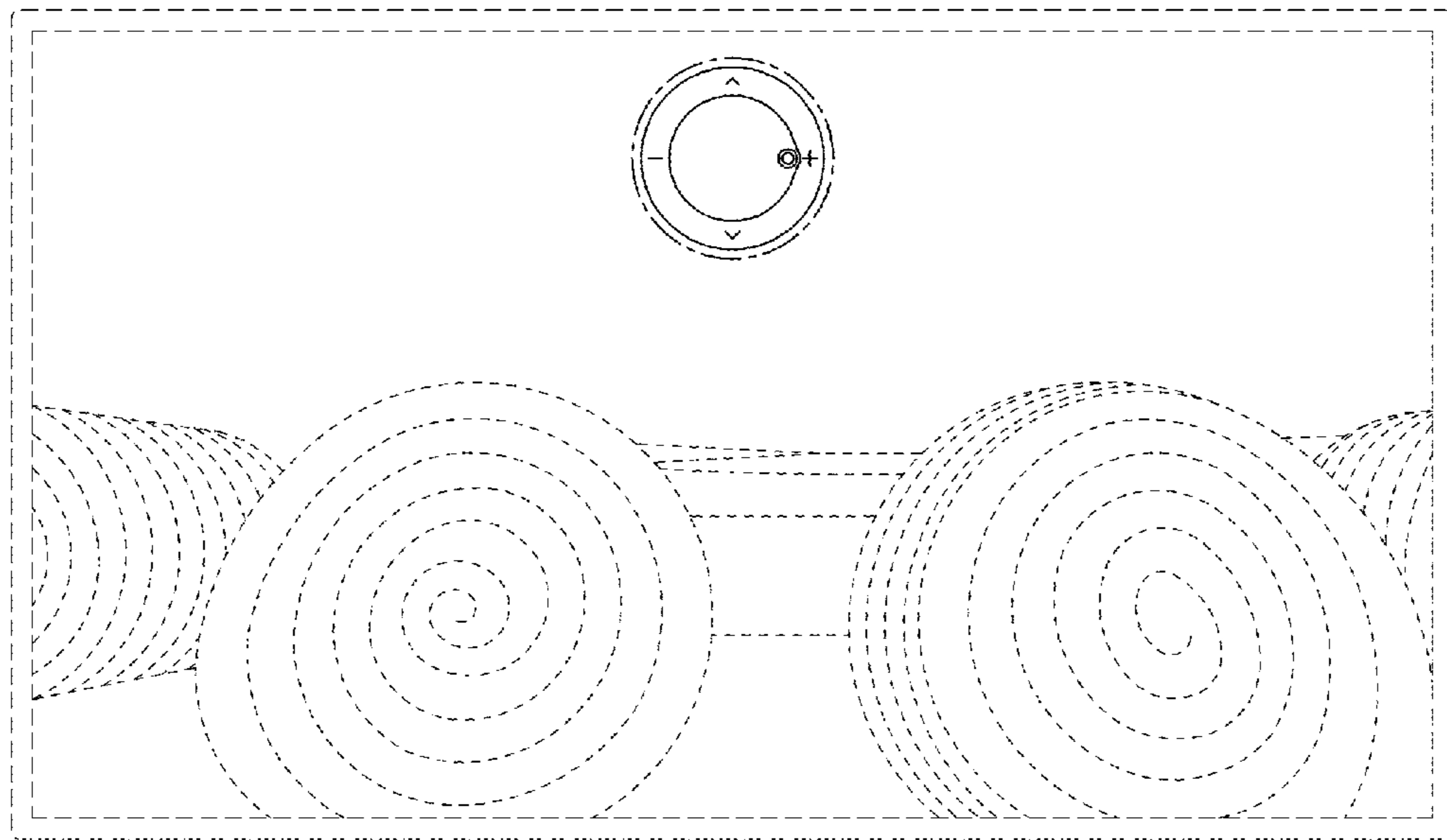


FIG. 20

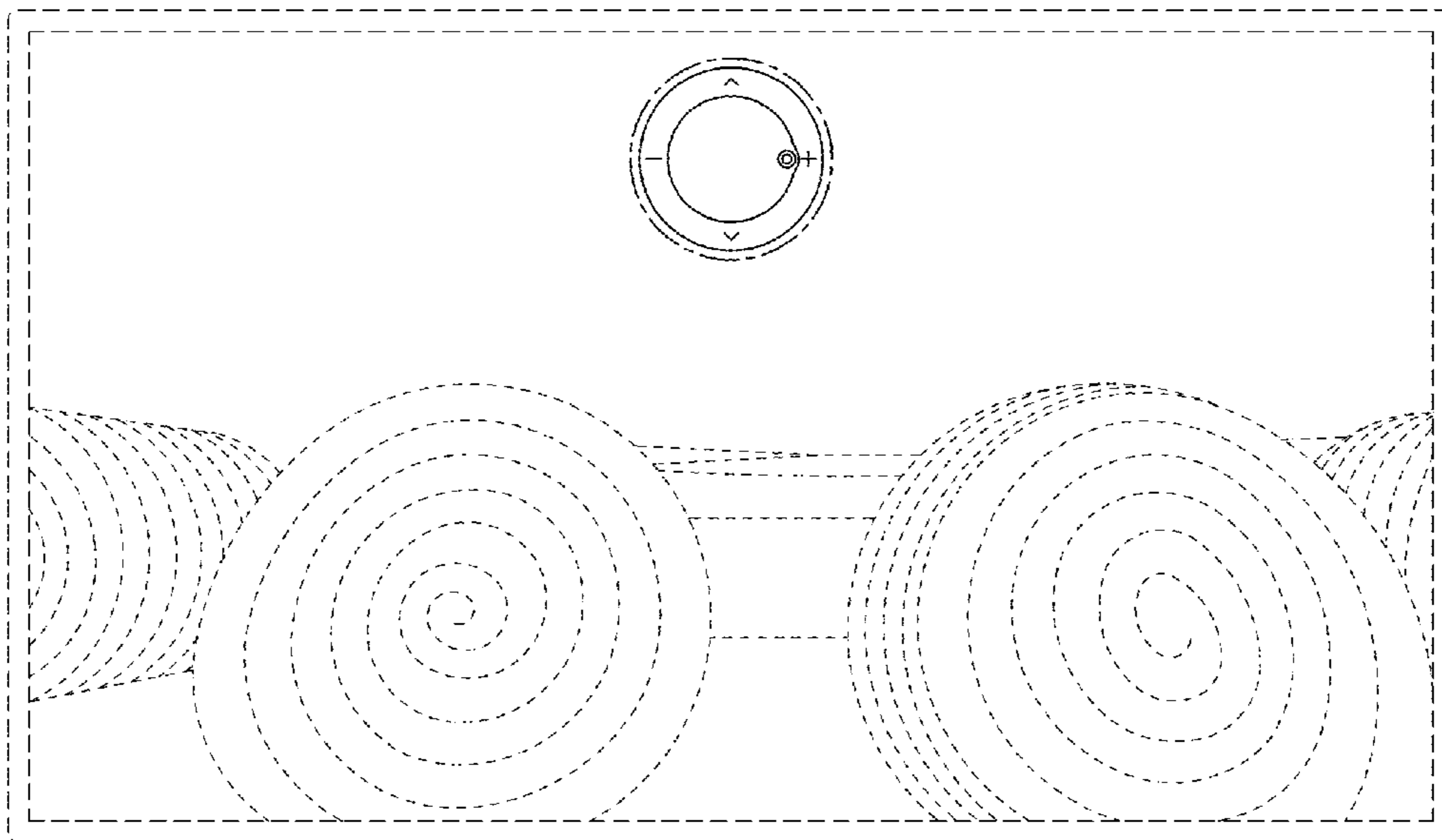


FIG. 21

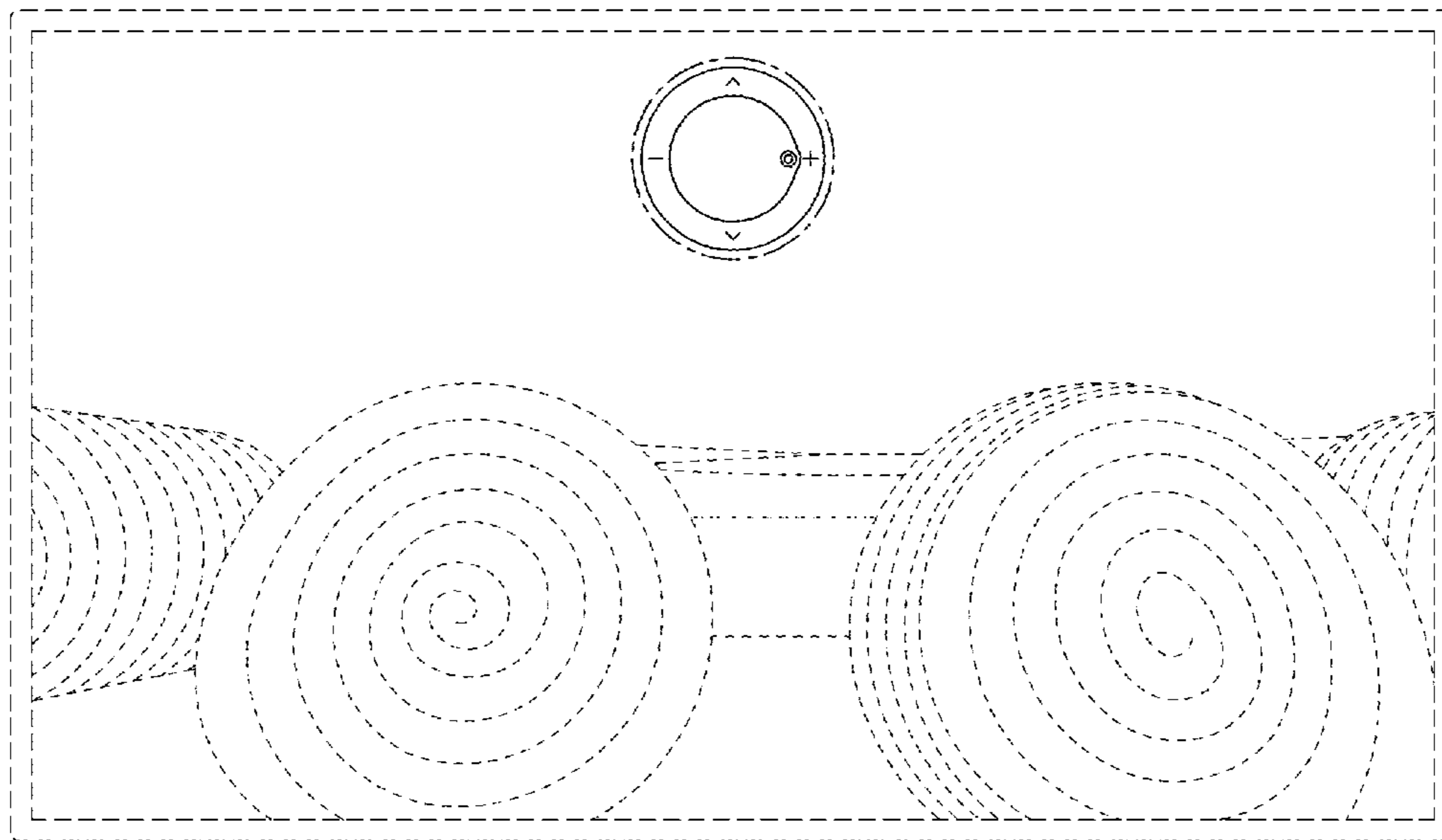


FIG. 22

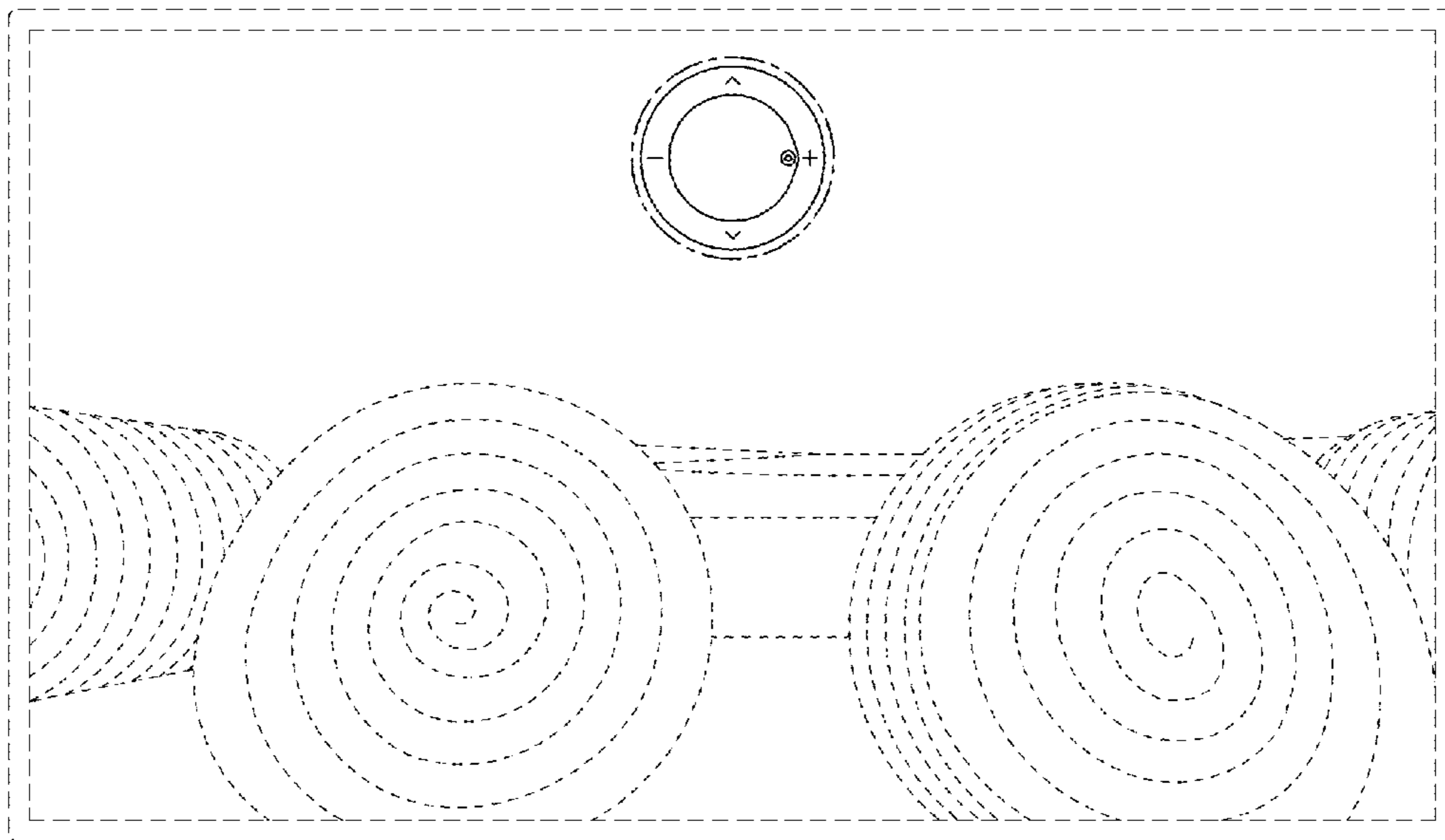


FIG. 23

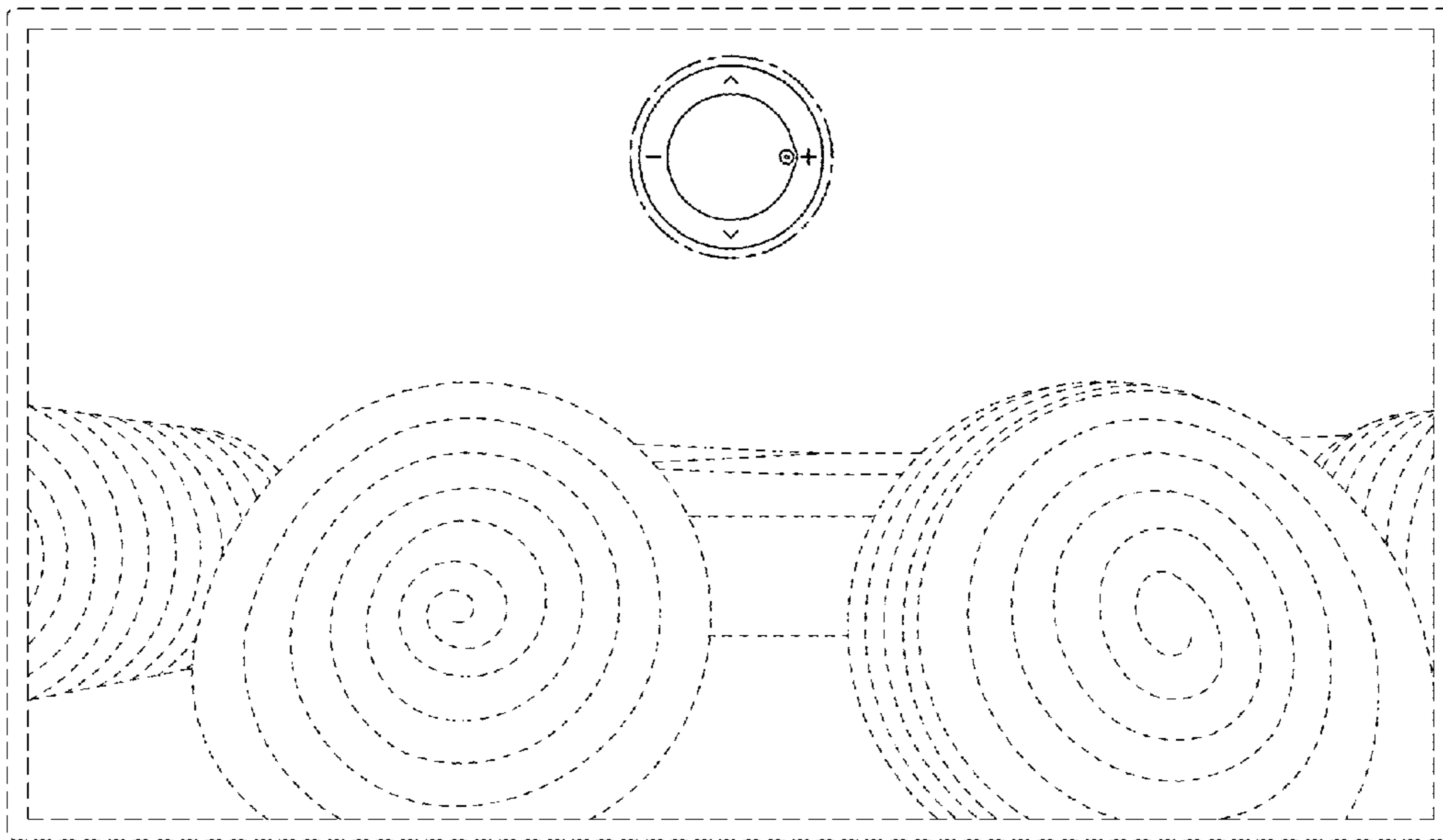


FIG. 24

