

US00D764493S

(12) **United States Design Patent** (10) **Patent No.:** **US D764,493 S**
Sanderson (45) **Date of Patent:** **** Aug. 23, 2016**

(54) **DISPLAY SCREEN WITH ANIMATED GRAPHICAL USER INTERFACE**

(71) Applicant: **Microsoft Corporation**, Redmond, WA (US)

(72) Inventor: **Eric Sanderson**, Seattle, WA (US)

(73) Assignee: **Microsoft Corporation**, Redmond, WA (US)

(**) Term: **14 Years**

(21) Appl. No.: **29/509,212**

(22) Filed: **Nov. 14, 2014**

(51) **LOC (10) Cl.** **14-04**

(52) **U.S. Cl.**
USPC **D14/485**

(58) **Field of Classification Search**
USPC D14/485-495; 715/763, 772
CPC G06F 3/04845; G06F 3/04847; G06F 1/1692; G06F 3/04817; G06F 15/02; G06Q 10/063114; H04N 1/00477; G11B 27/34; G06T 13/80
See application file for complete search history.

(56) **References Cited**

U.S. PATENT DOCUMENTS

5,392,388	A *	2/1995	Gibson	G06F 3/04845 345/684
D501,210	S *	1/2005	Cook	D14/486
D644,661	S *	9/2011	Gardner	D14/495
D664,983	S	8/2012	Moreau et al.		
D669,497	S	10/2012	Lee et al.		
D687,460	S *	8/2013	Tyler	D14/489
D689,505	S *	9/2013	Convay	D14/485
D690,717	S *	10/2013	Thomsen	D14/485
8,628,453	B2 *	1/2014	Balakrishnan	A63B 71/0686 482/1
D699,747	S *	2/2014	Pearson	D14/488
D699,749	S *	2/2014	Pearson	D14/488

D715,313	S *	10/2014	Hontz, Jr.	D14/485
8,875,054	B2 *	10/2014	Hopkins	G06F 3/04847 715/833
D729,260	S *	5/2015	Ahn	D14/485
D731,539	S *	6/2015	Omata	D14/489
9,081,419	B2 *	7/2015	Tocino Diaz	G06F 3/017
D737,330	S *	8/2015	Paolantonio	D14/495
D738,917	S *	9/2015	Bray	D14/492
D739,872	S *	9/2015	Bang	D14/488
D740,300	S *	10/2015	Lee	D14/485
D741,898	S *	10/2015	Soegiono	D14/488

(Continued)

Primary Examiner — Barbara Fox

Assistant Examiner — Kimberly Barnes

(74) *Attorney, Agent, or Firm* — Banner & Witcoff, Ltd.

(57) **CLAIM**

The ornamental design for a display screen with animated graphical user interface, as shown and described.

DESCRIPTION

FIG. 1 is the first image in a sequence for a display screen with animated graphical user interface showing my new design;

FIG. 2 is the second image thereof;

FIG. 3 is the third image thereof;

FIG. 4 is the fourth image thereof;

FIG. 5 is the fifth image thereof;

FIG. 6 is the sixth image thereof;

FIG. 7 is the seventh image thereof;

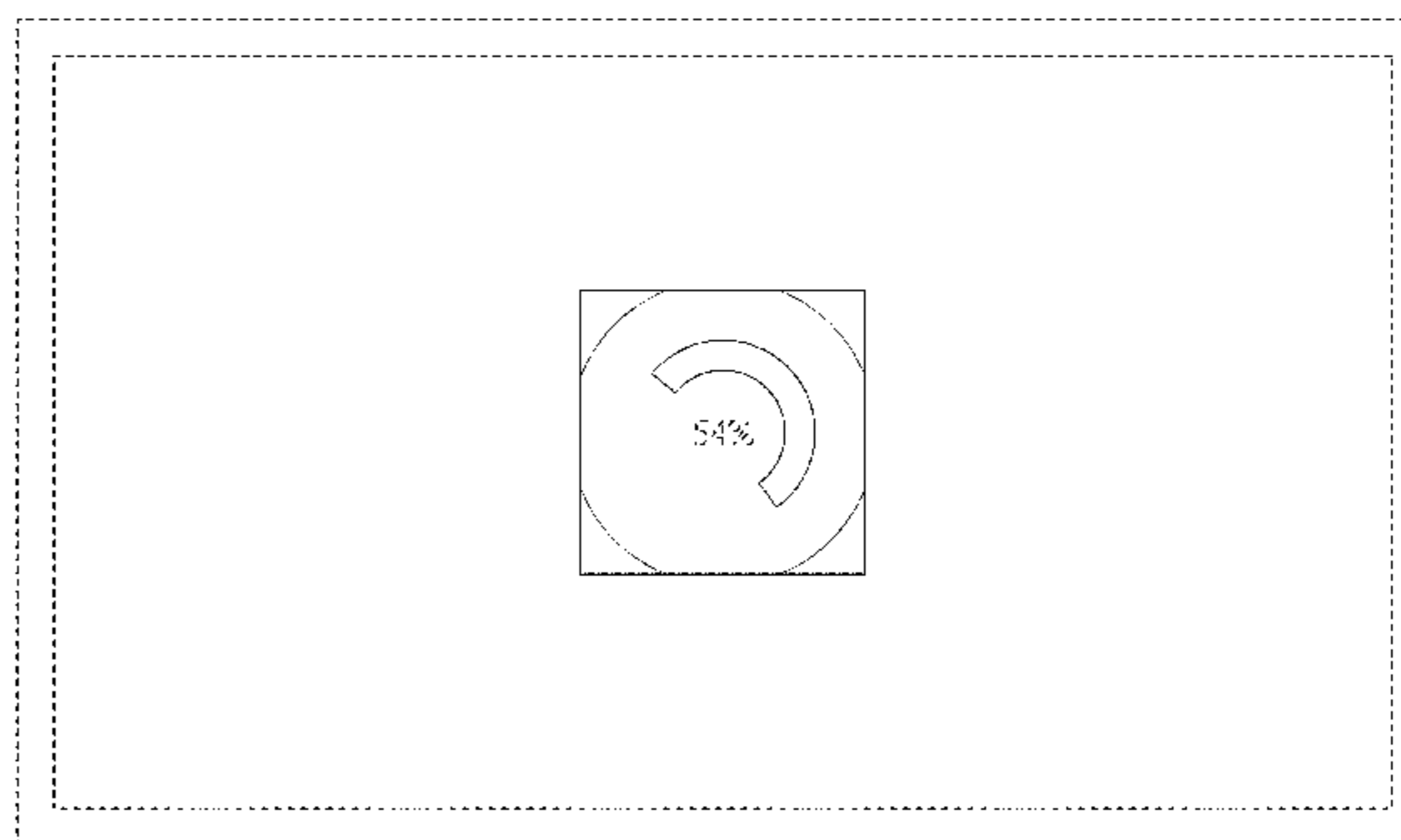
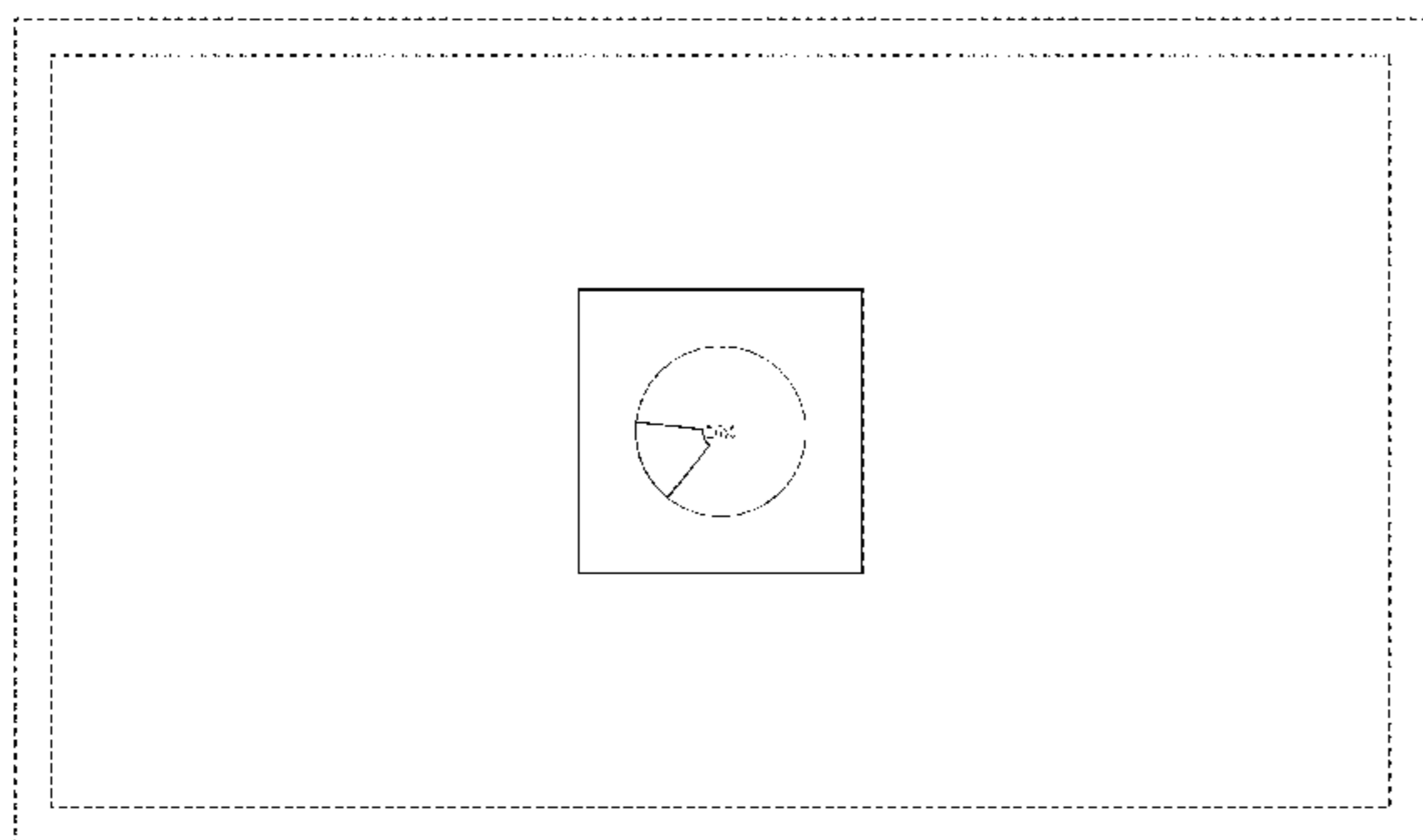
FIG. 8 is the eighth image thereof;

FIG. 9 is the ninth image thereof; and,

FIG. 10 is the tenth image thereof.

The appearance of the animated graphical user interface sequentially transitions between the images shown in FIGS. 1-10. The process or period in which one image transitions to another forms no part of the claimed design. The broken line showing of the remainder of the user interface and the remainder of the display screen is for environmental purposes only and forms no part of the claimed design.

1 Claim, 10 Drawing Sheets



(56)

References Cited

U.S. PATENT DOCUMENTS

D747,333 S * 1/2016 Supino D14/486
D751,606 S * 3/2016 Yu D14/494
D751,606 S * 3/2016 Yu D14/494
2010/0023865 A1* 1/2010 Fulker G06F 3/04817
715/734

2010/0214246 A1* 8/2010 Park G06F 3/04883
345/173
2015/0287403 A1* 10/2015 Holzer Zaslansky . G06T 13/205
704/231
2016/0062638 A1* 3/2016 Yakishyn G06F 3/0416
715/863

* cited by examiner

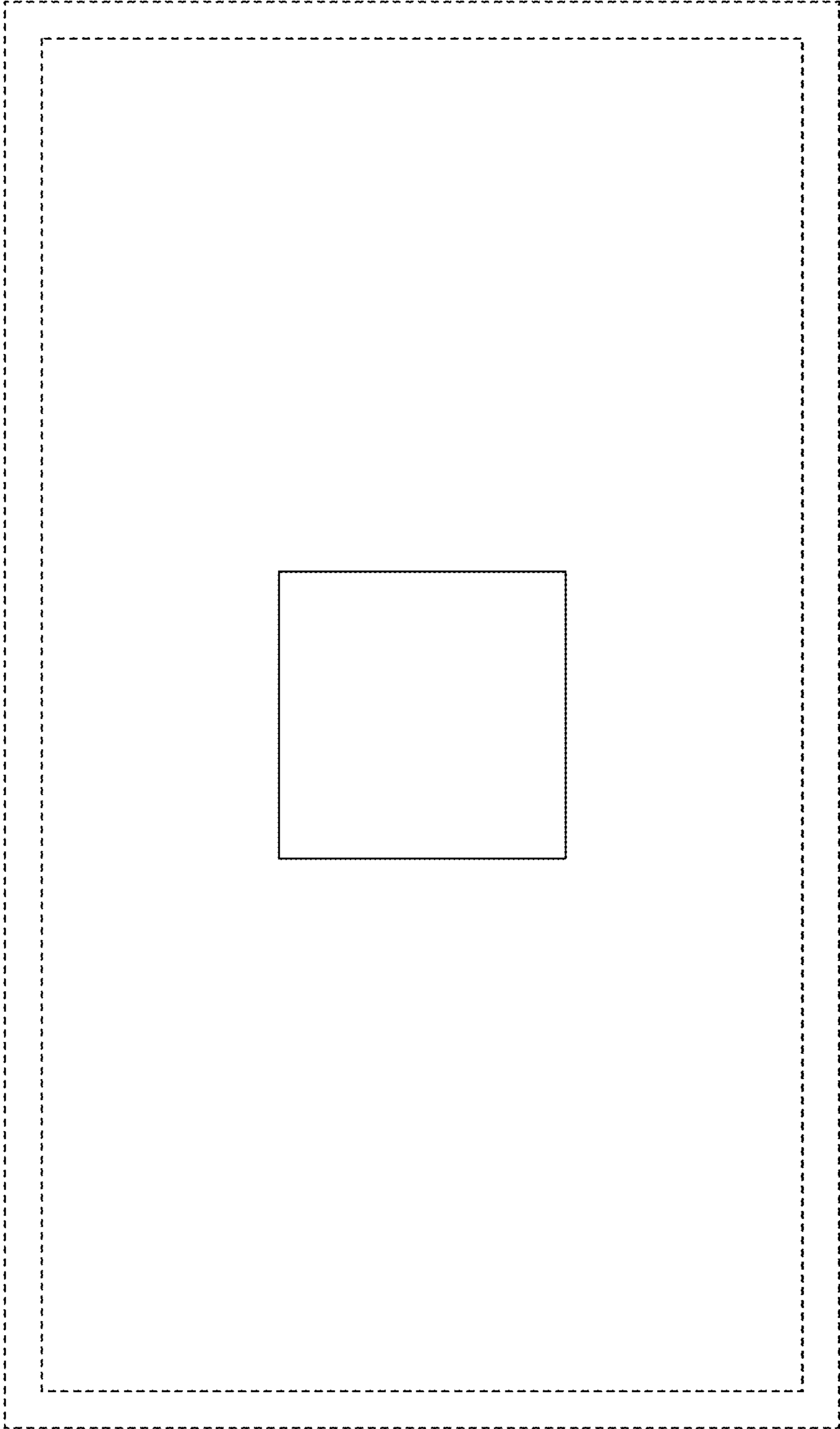


FIG. 1

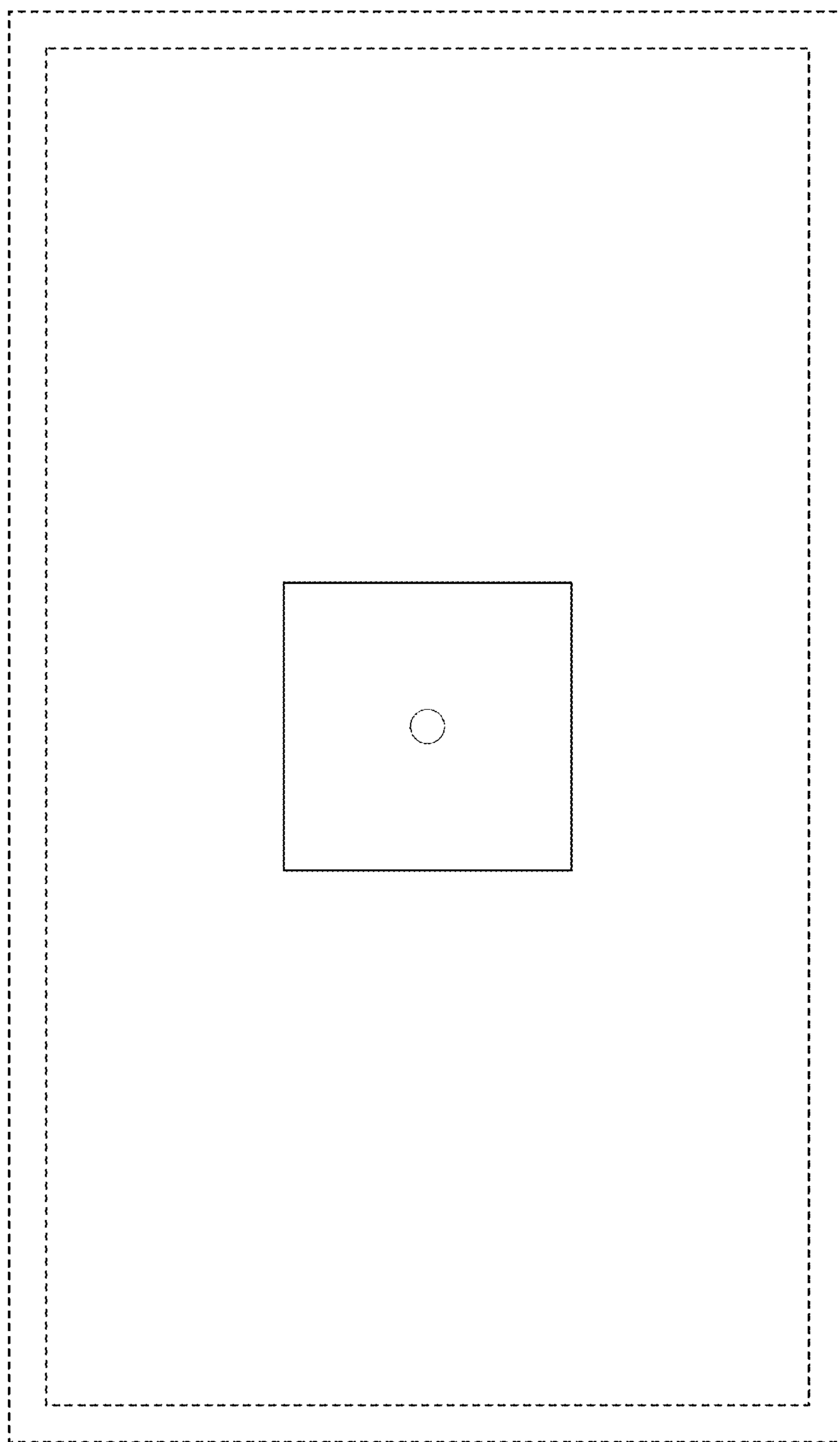


FIG. 2

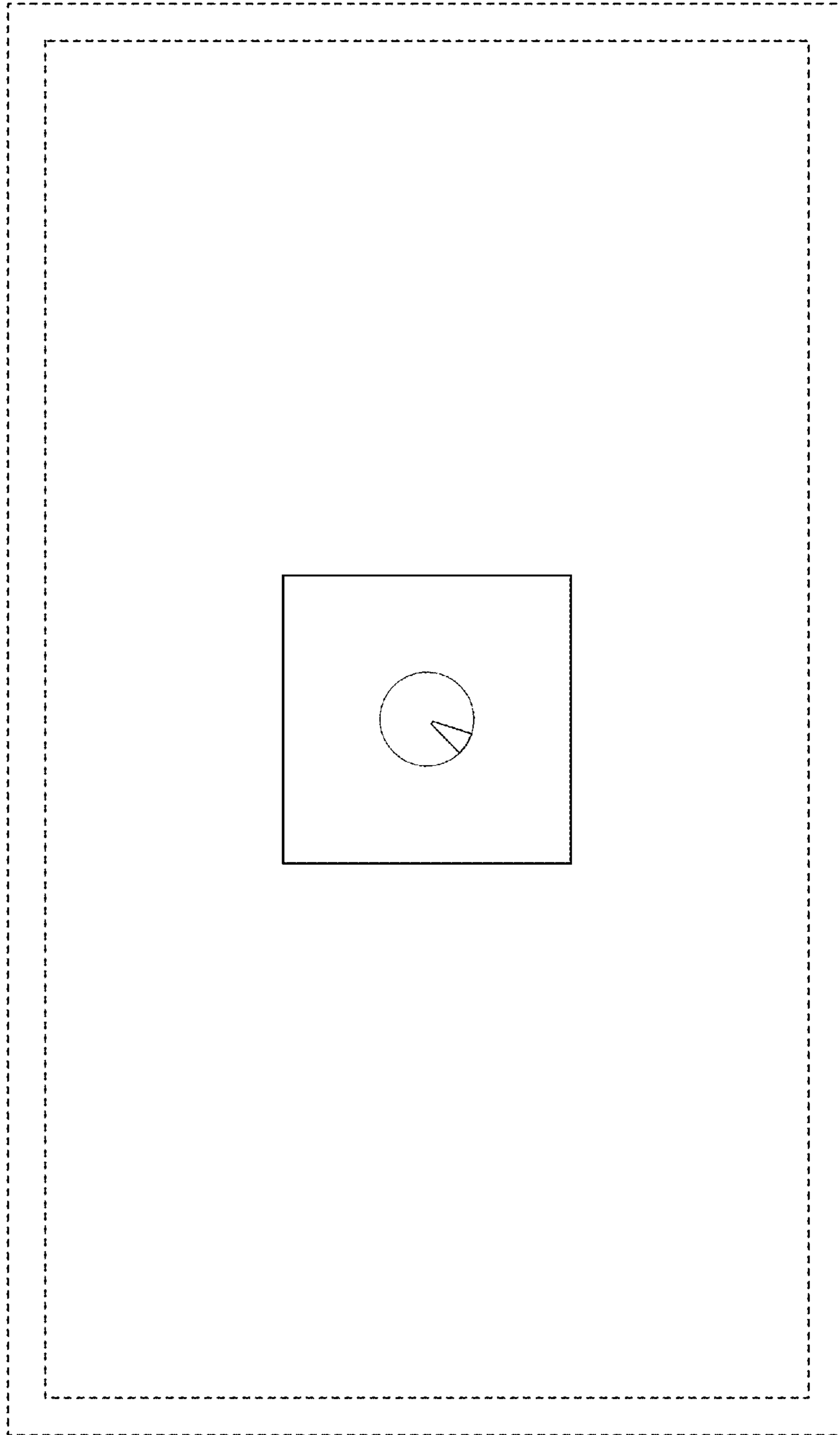


FIG. 3

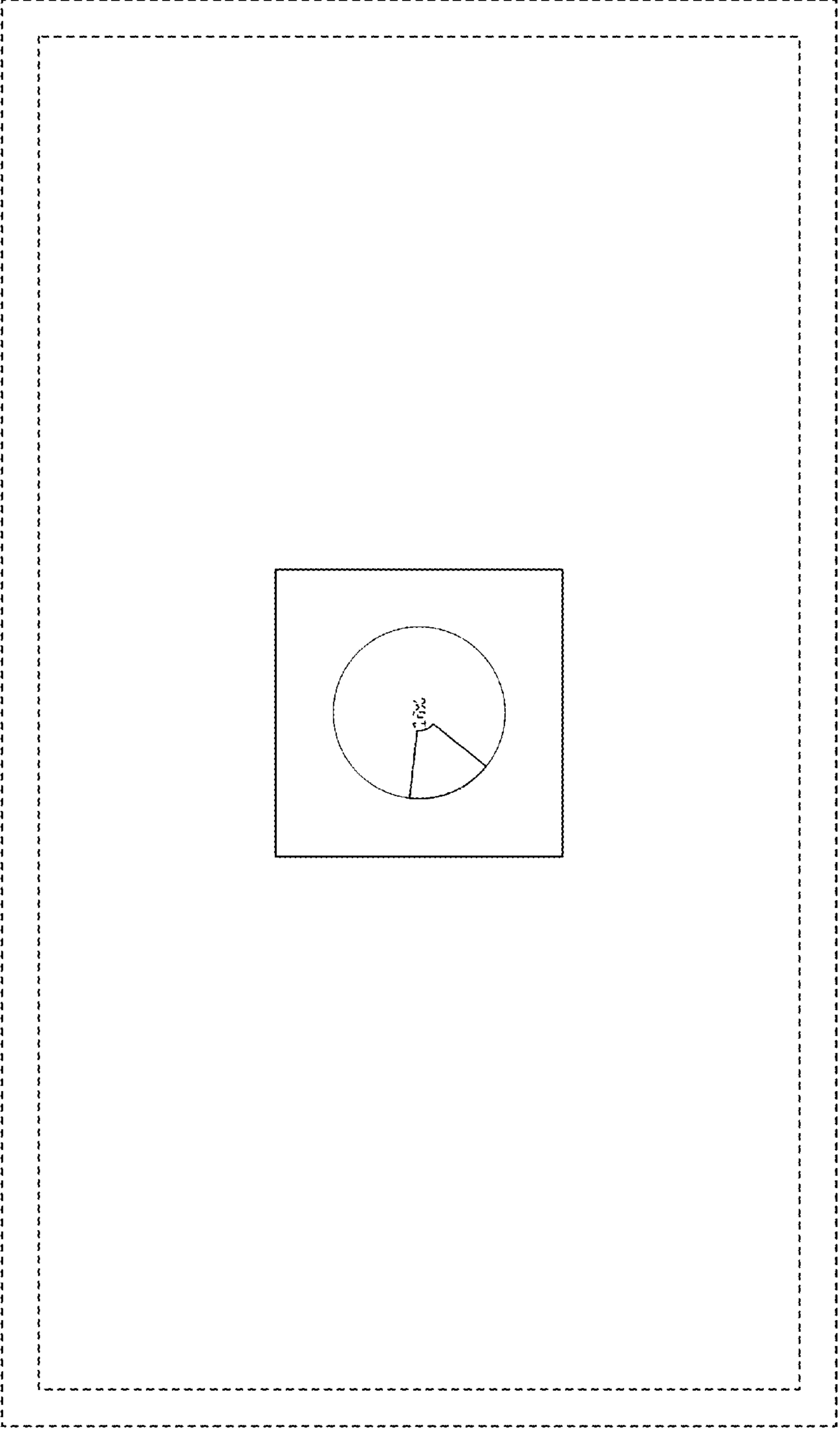


FIG. 4

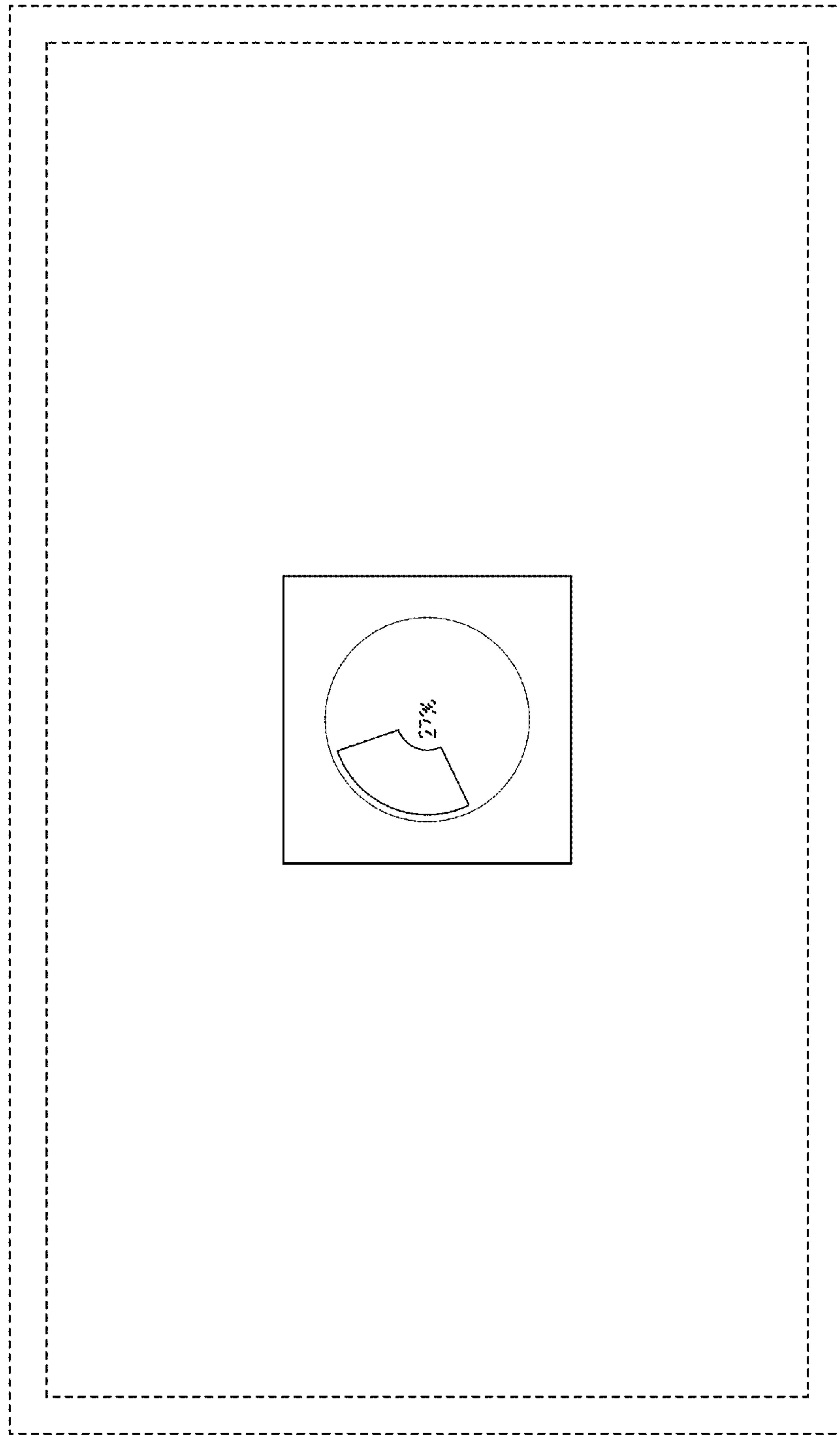


FIG. 5

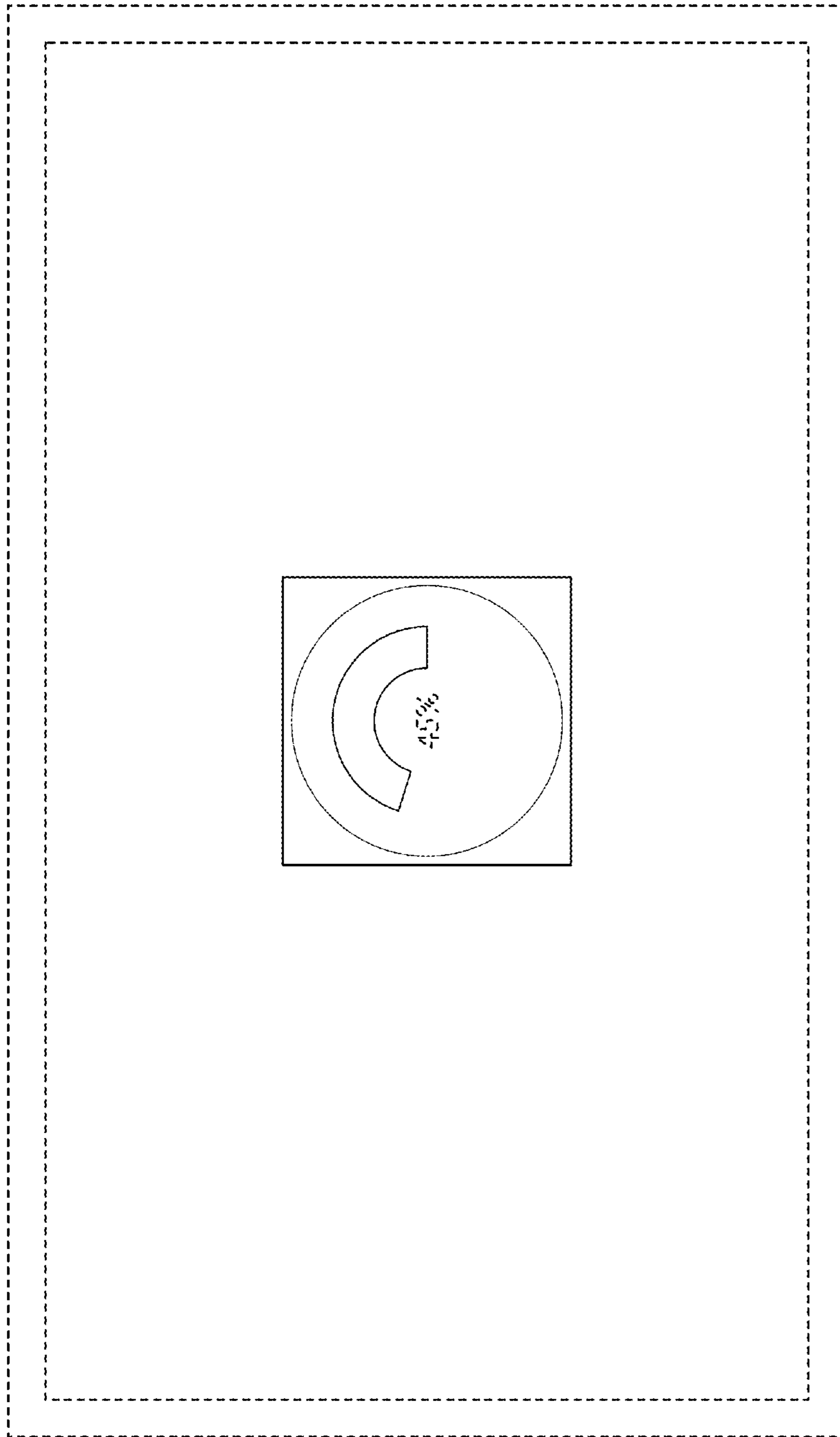


FIG. 6

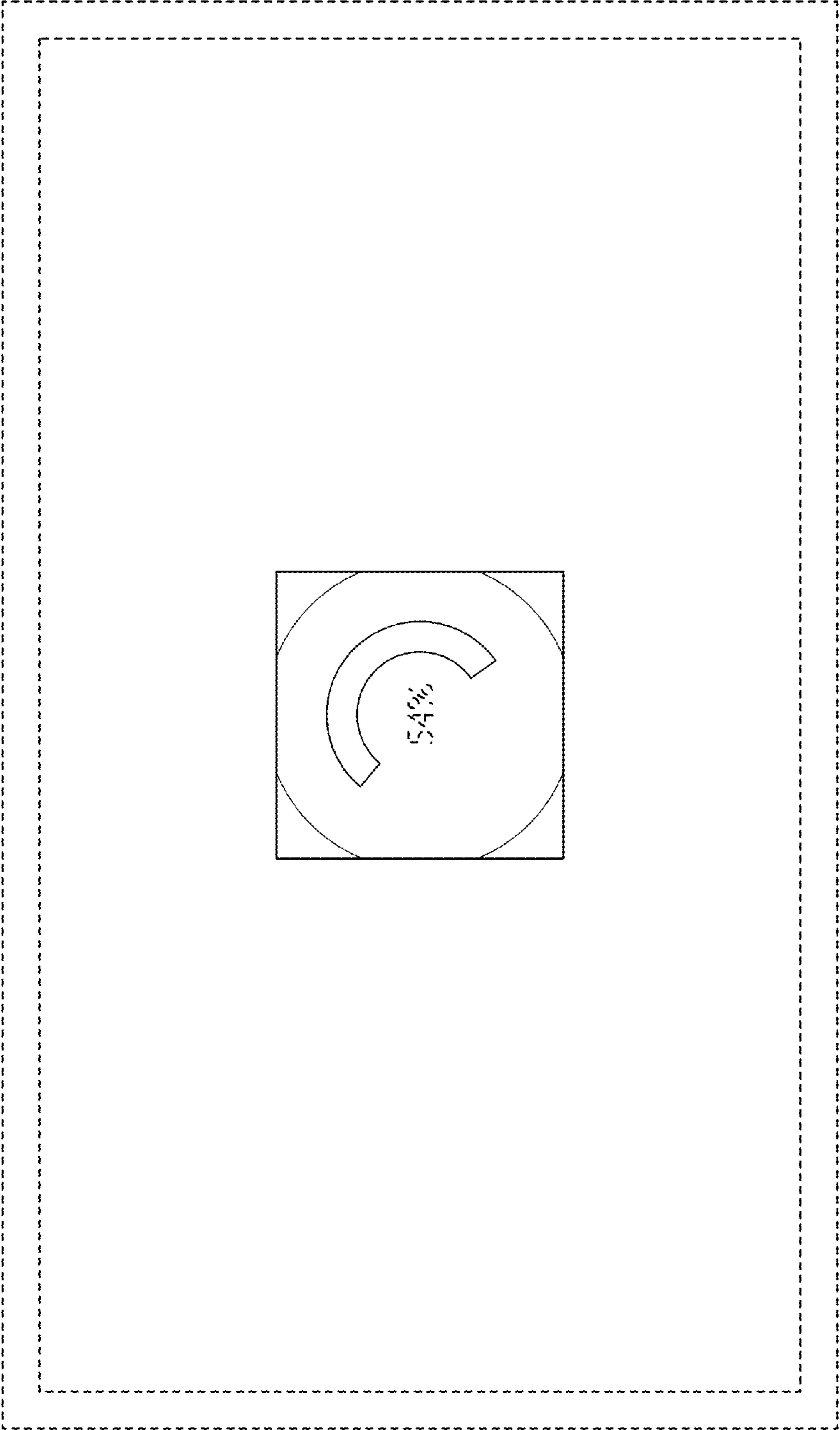


FIG. 7

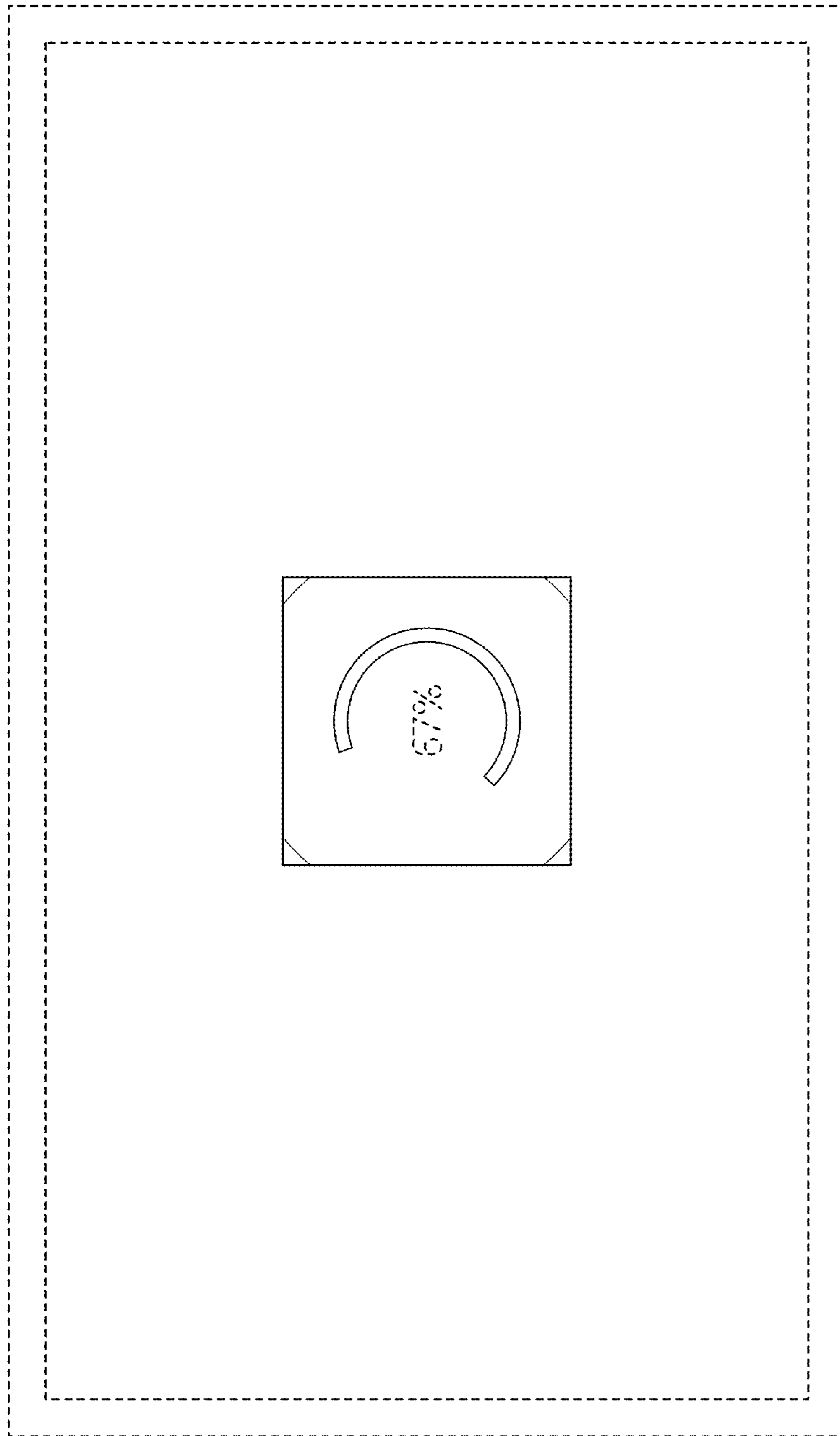


FIG. 8

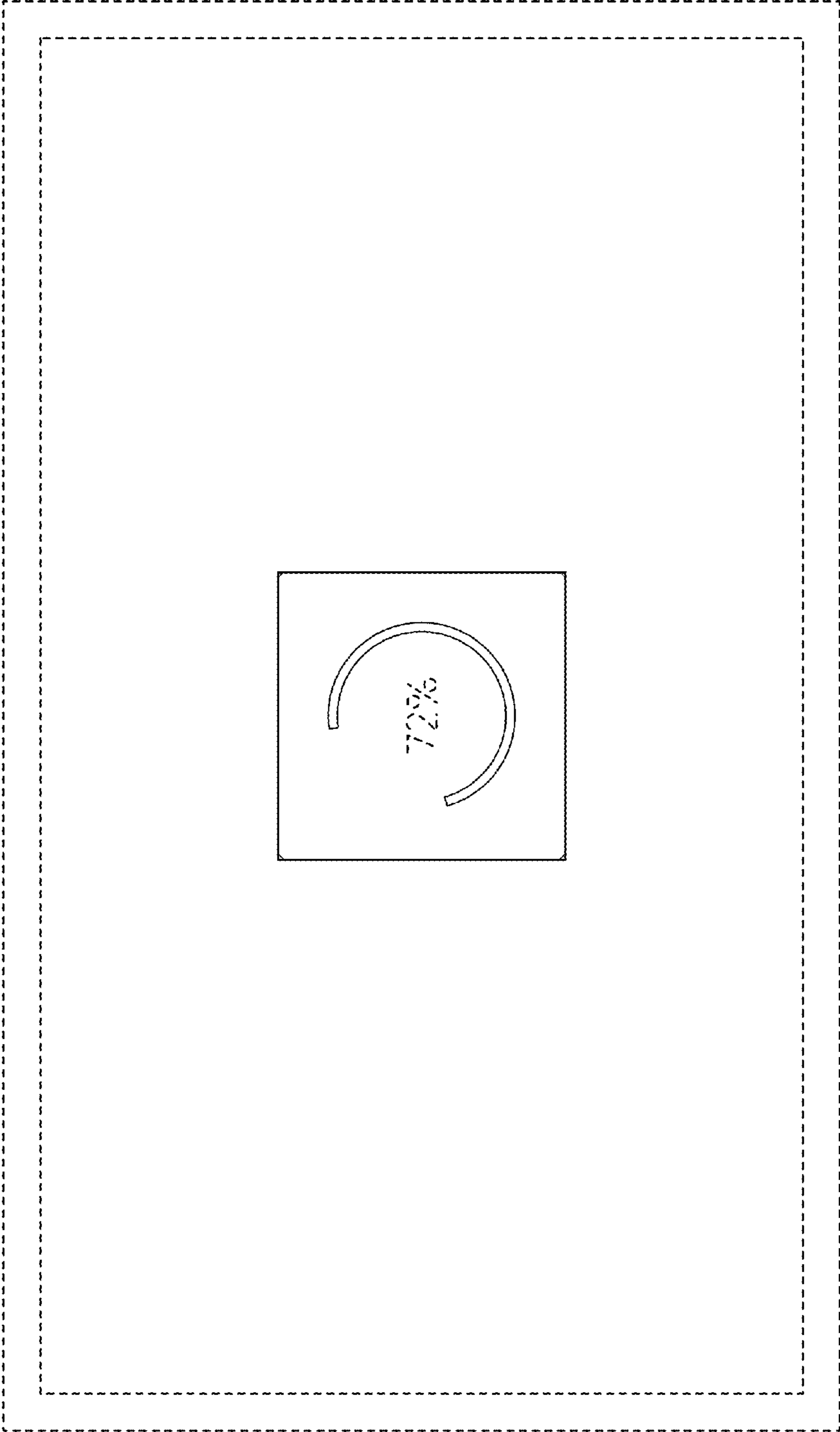


FIG. 9

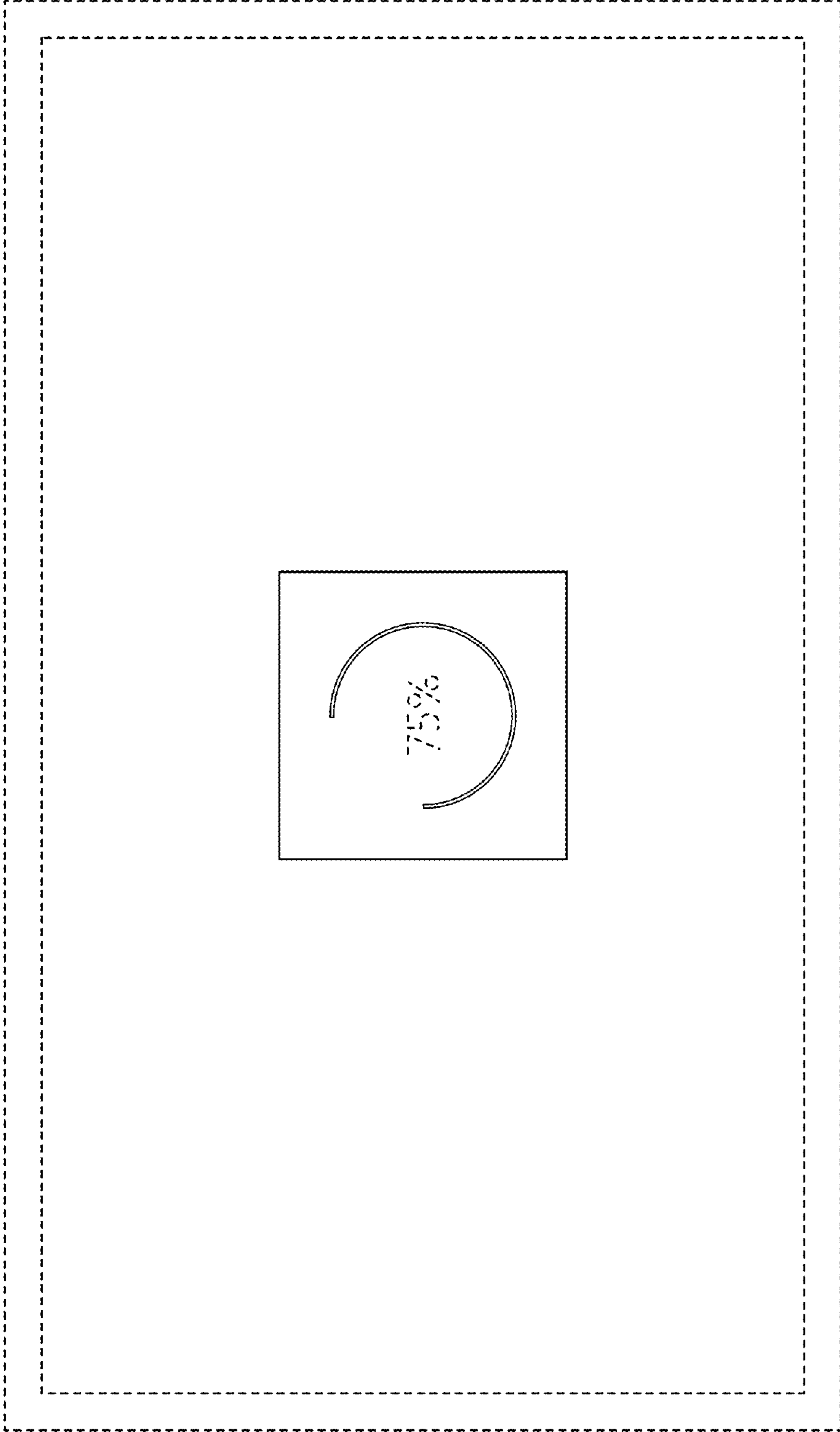


FIG. 10