



US00D764479S

(12) **United States Design Patent**
Kim et al.

(10) **Patent No.:** **US D764,479 S**

(45) **Date of Patent:** **** Aug. 23, 2016**

(54) **BIO-MEMORY**

(71) Applicants: **Sung Hoon Kim**, Gimpo-si (KR);
Young Hun Ko, Goyang-si (KR); **Jeong Soo Yoon**, Incheon (KR)

(72) Inventors: **Sung Hoon Kim**, Gimpo-si (KR);
Young Hun Ko, Goyang-si (KR); **Jeong Soo Yoon**, Incheon (KR)

(**) Term: **14 Years**

(21) Appl. No.: **29/523,955**

(22) Filed: **Apr. 15, 2015**

(30) **Foreign Application Priority Data**

Oct. 24, 2014 (KR) 30-2014-0051065

(51) **LOC (10) Cl.** **14-03**

(52) **U.S. Cl.**
USPC **D14/480.1**

(58) **Field of Classification Search**
USPC D14/435.1, 480.1-480.7, 411, 433, 436,
D14/484.1, 137, 155, 203.1-203.8, 240,
D14/242, 133, 154
CPC H05K 5/0278; G06K 19/07732
See application file for complete search history.

(56) **References Cited**

U.S. PATENT DOCUMENTS

D463,426 S * 9/2002 Cheng D14/480.1
6,522,534 B1 * 2/2003 Wu G06K 19/041
312/223.2

D520,996 S * 5/2006 Deng D14/480.5
D576,619 S * 9/2008 Udagawa D14/435.1
D597,068 S * 7/2009 Whang D14/203.7
D610,588 S * 2/2010 Chen D14/480.7
D652,046 S * 1/2012 Belan D14/480.6
D682,841 S * 5/2013 Suetake D14/480.1
D700,083 S * 2/2014 Brigham D10/70
D729,277 S * 5/2015 Uchida D14/435.1
2004/0083320 A1 * 4/2004 Yu A44B 11/005
710/62
2009/0316368 A1 * 12/2009 Hiew H05K 5/0278
361/737
2011/0279994 A1 * 11/2011 Lee H05K 5/0278
361/814

* cited by examiner

Primary Examiner — Angela J Lee

(74) *Attorney, Agent, or Firm* — LRK Patent Law Firm

(57) **CLAIM**

The ornamental design for bio-memory, as shown and described.

DESCRIPTION

FIG. 1 is a perspective view of the bio-memory showing our new design;
FIG. 2 is a front elevational view thereof;
FIG. 3 is a rear elevational view thereof;
FIG. 4 is a left side elevational view thereof;
FIG. 5 is a right side elevational view thereof;
FIG. 6 is a top plan view thereof; and,
FIG. 7 is a bottom view thereof.
The broken line showing of the bio-memory is for illustrative purposes only and forms no part of the claimed design.

1 Claim, 6 Drawing Sheets

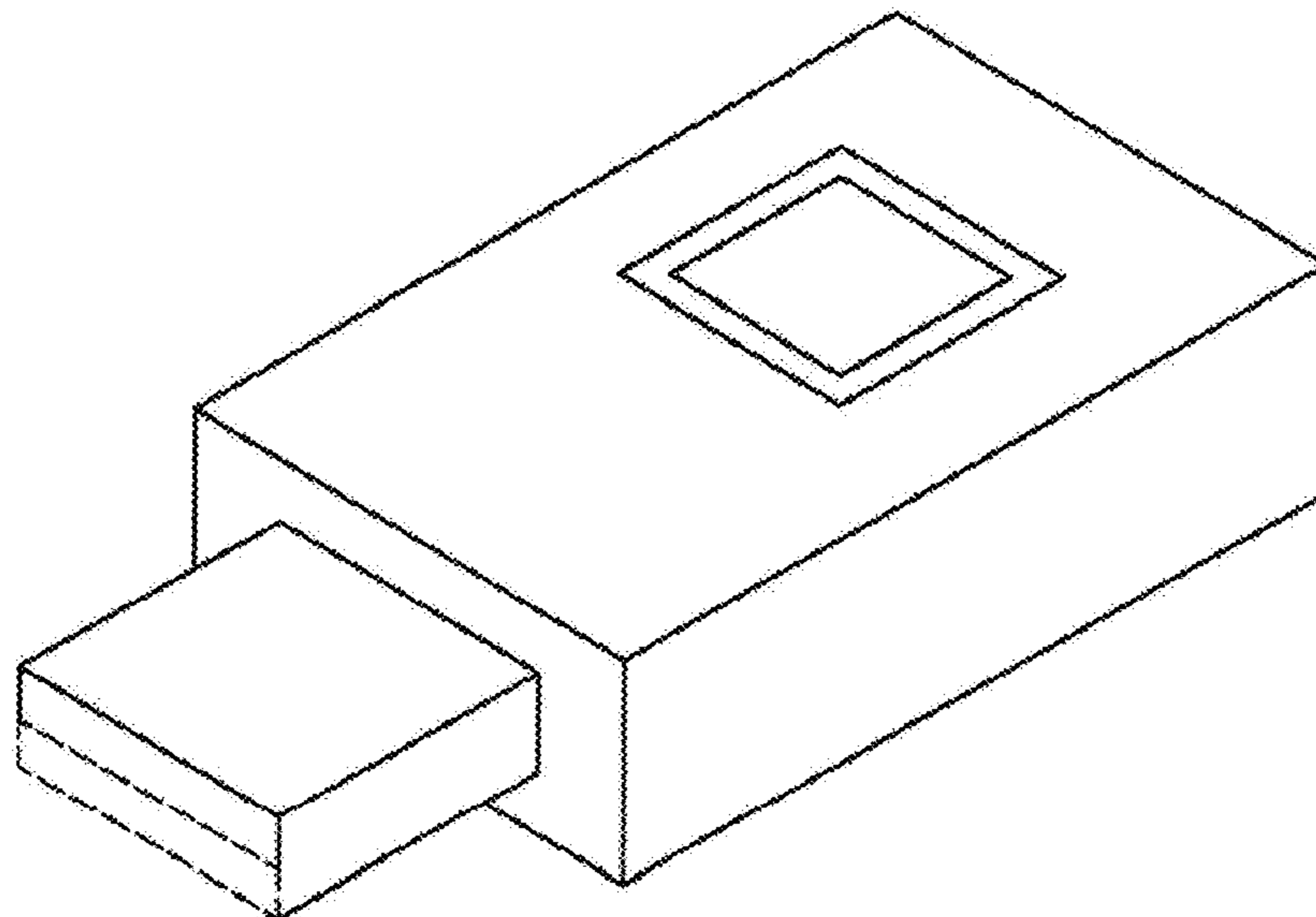


FIG. 1

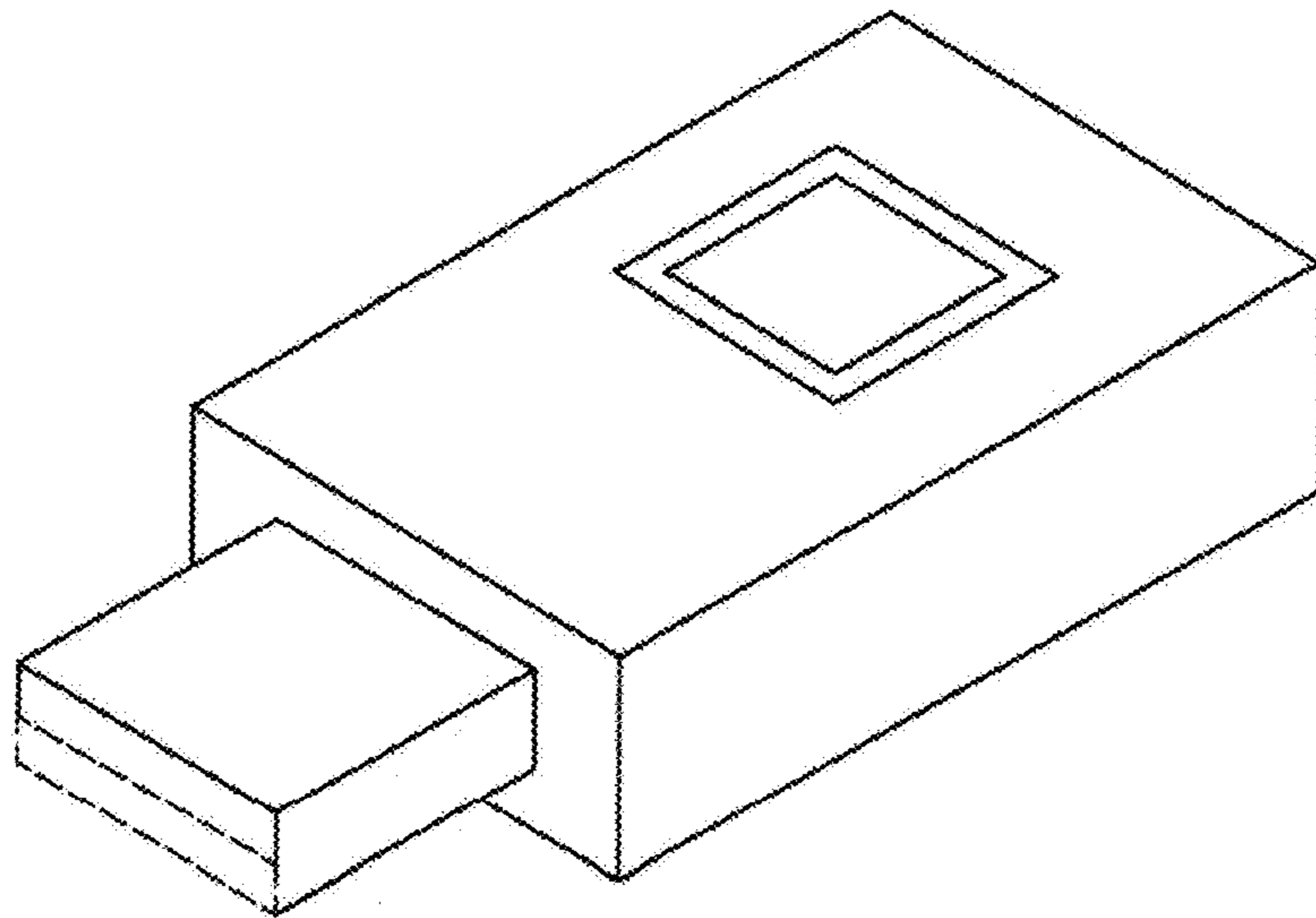


FIG. 2



FIG. 3



FIG. 4

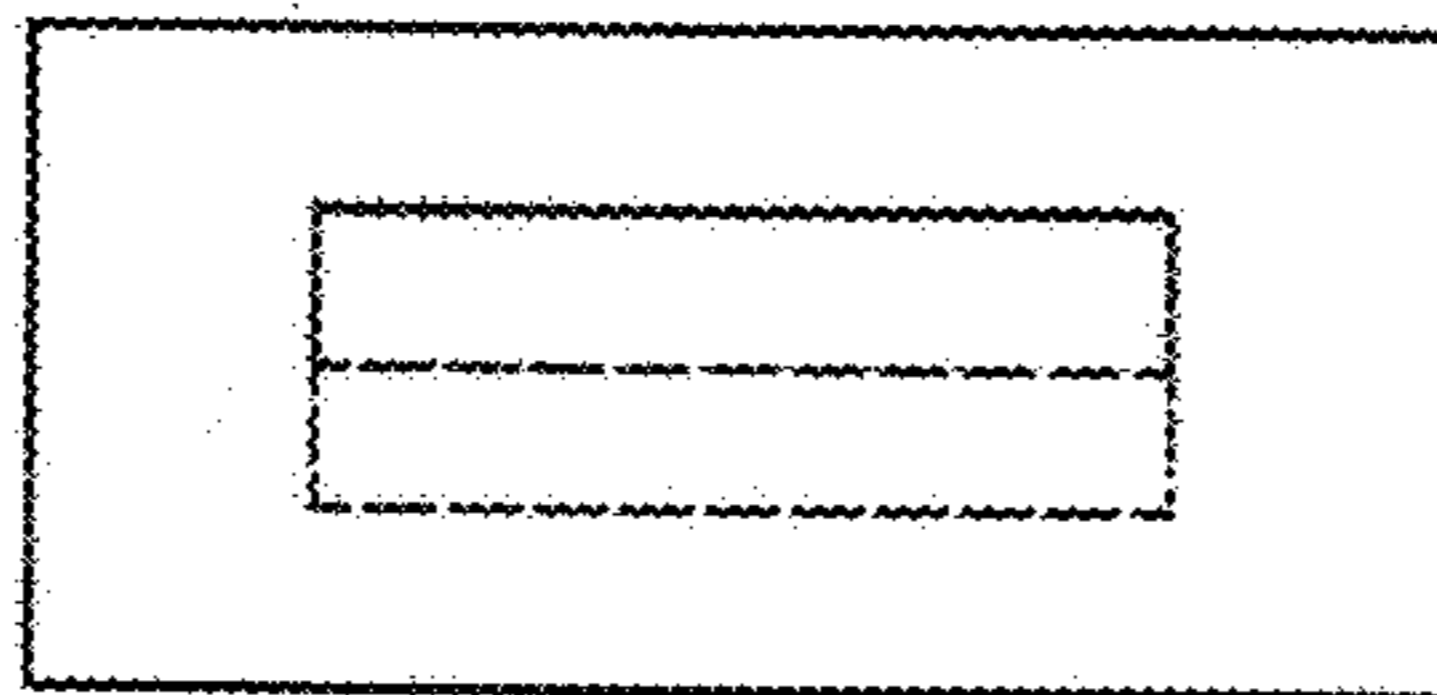


FIG. 5

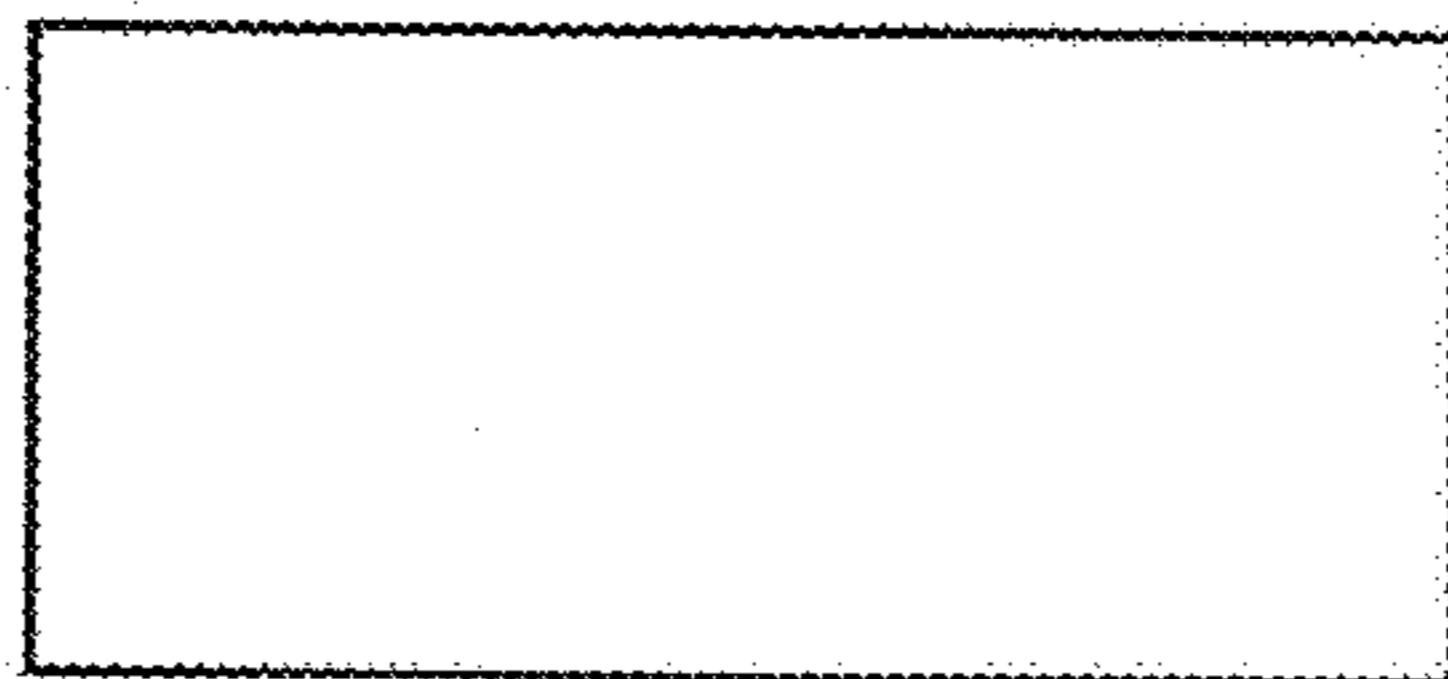


FIG. 6

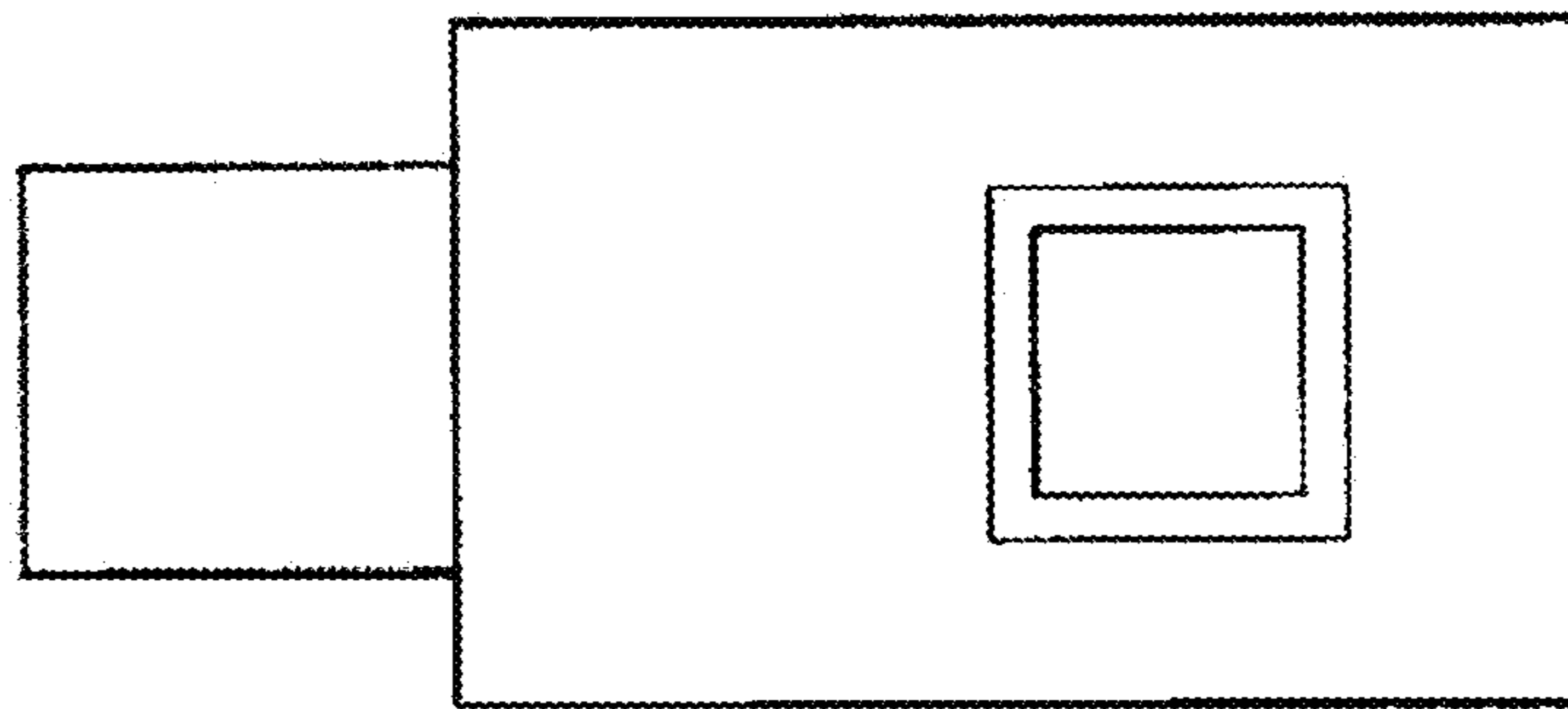


FIG. 7

