



US00D764478S

(12) **United States Design Patent**
Radmard

(10) **Patent No.:** **US D764,478 S**

(45) **Date of Patent:** **** Aug. 23, 2016**

(54) **PROTECTIVE CASE FOR MOBILE COMPUTING DEVICE**

(71) Applicant: **Ramak Radmard**, Lachine (CA)

(72) Inventor: **Ramak Radmard**, Lachine (CA)

(**) Term: **15 Years**

(21) Appl. No.: **29/546,396**

(22) Filed: **Nov. 22, 2015**

Related U.S. Application Data

(63) Continuation of application No. 14/485,752, filed on Sep. 14, 2014, now Pat. No. 9,362,971.

(51) **LOC (10) Cl.** **14-02**

(52) **U.S. Cl.**
USPC **D14/440; D14/250**

(58) **Field of Classification Search**

USPC D14/238.1, 440, 203.3–203.7, 217, 240, D14/248, 251–253, 447, 496, 250; D3/201, D3/218, 247, 269, 273, 301, 303; D13/103, 107–108, 119

CPC H04B 1/3888; H04M 1/0283; H04M 1/0202; A45C 1/06; A45C 11/00; A45C 13/02; A45C 2011/002; A45F 2005/026; A45F 2200/0525; A45F 2200/0516

See application file for complete search history.

(56) **References Cited**

U.S. PATENT DOCUMENTS

D473,563 S * 4/2003 Russell D14/447
6,616,111 B1 * 9/2003 White G06F 1/1626
206/320

D560,068 S * 1/2008 Dixon D3/218

D564,220 S * 3/2008 Dixon D3/218

D592,188 S * 5/2009 Huang D14/217

D637,593 S * 5/2011 Zanetti D14/253

8,066,241 B2 * 11/2011 Yu F16M 11/04
248/286.1

D669,890 S * 10/2012 Hopkins D14/251

D673,960 S * 1/2013 Lindfield D14/447

D679,693 S * 4/2013 Rashid D14/250

D691,148 S * 10/2013 Weatherby, III D14/447
8,544,161 B2 * 10/2013 Carnevali B60R 11/0235
248/346.04

D713,395 S * 9/2014 Godycki D14/250

(Continued)

OTHER PUBLICATIONS

Lucidream eXo iPhone 6 case review—YouTube, Published on Dec. 1, 2014, URL:<<https://www.youtube.com/watch?v=1hKtGR-X8Mk>>, retrieved from internet on May 27, 2016.*

Primary Examiner — Carla Jobe Wright

(74) *Attorney, Agent, or Firm* — Kevin Keener; Keener and Associates P.C.

(57) **CLAIM**

The ornamental design for a protective case for mobile computing device, as shown and described.

DESCRIPTION

FIG. 1 is an exploded top perspective view of the protective case for mobile computing device showing my new design with the parts of the case separated for clarity of disclosure; FIG. 2 is an exploded bottom perspective view thereof;

FIG. 3 is a top perspective view thereof showing the protective case in an assembled state;

FIG. 4 is a bottom perspective view thereof;

FIG. 5 is a side view thereof;

FIG. 6 is a top plan view thereof;

FIG. 7 is a side view thereof;

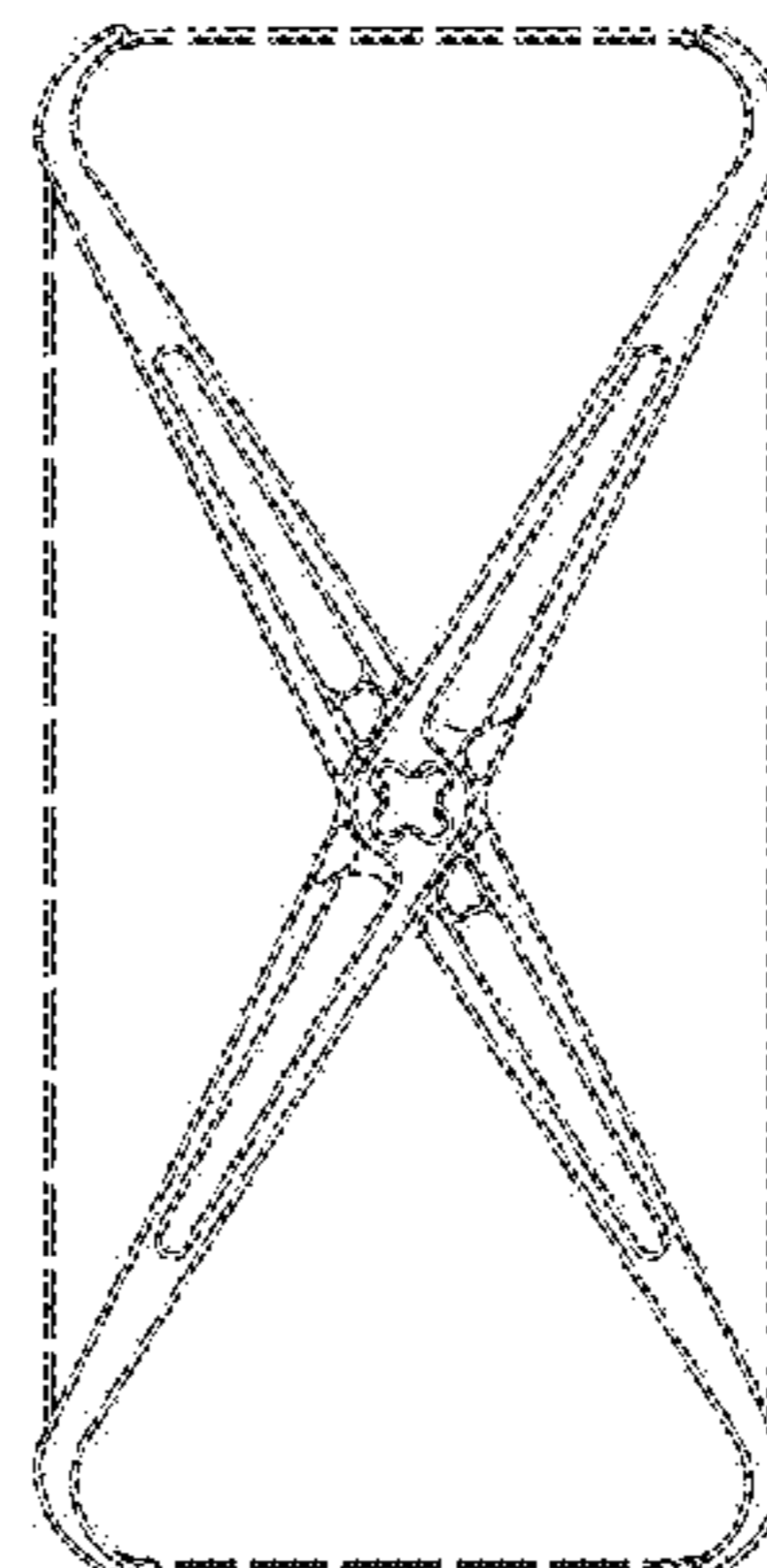
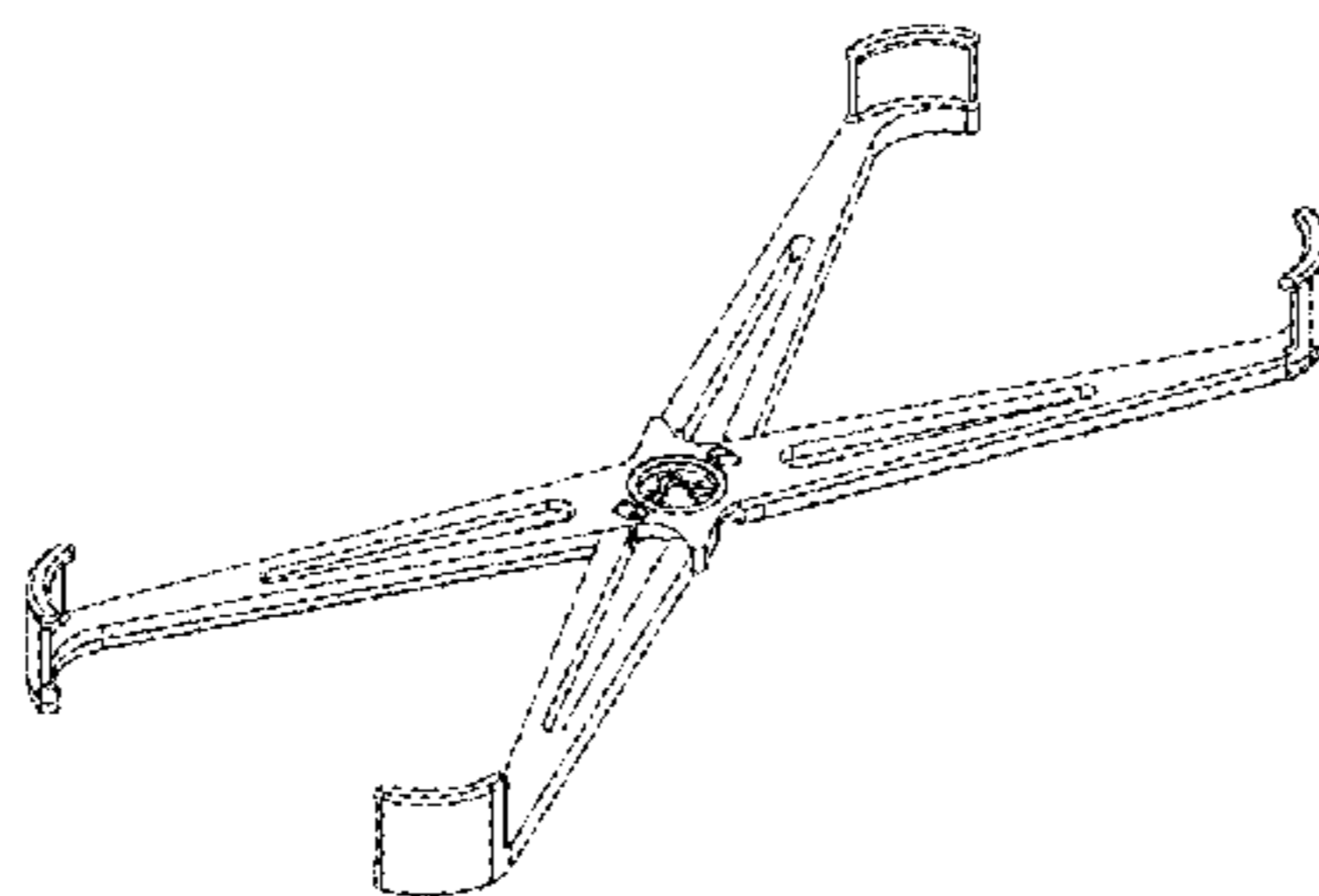
FIG. 8 is a bottom plan view of the protective case in an unsecured state with an environmental mobile computing device;

FIG. 9 is a bottom plan view of the protective case in a secured state with an environmental mobile computing device; and,

FIG. 10 is a bottom plan view of the protective case in a secured state with an environmental mobile computing device and with the central trigger arm in an alternate position.

The broken lines in FIGS. 8-10 depict an environmental mobile computing device that forms no part of the claimed design.

1 Claim, 10 Drawing Sheets



(56)

References Cited

U.S. PATENT DOCUMENTS

| | | | | | | | | | |
|-------------------|---------|-----------|-------|-------------------------|------------------|---------|---------|-------|--------------------------|
| D716,044 S * | 10/2014 | Wilk | | D3/247 | 2010/0294908 A1* | 11/2010 | Mish | | A47B 23/043 248/451 |
| D721,573 S * | 1/2015 | Fievet | | D8/382 | 2013/0270850 A1* | 10/2013 | Fan | | A45F 5/00 294/137 |
| 9,133,982 B1 * | 9/2015 | Valdez | | F16M 13/022 | 2014/0252786 A1* | 9/2014 | Singhal | | G06F 1/1626 294/137 |
| D750,087 S * | 2/2016 | Wu | | D14/447 | 2015/0156900 A1* | 6/2015 | Yeh | | H04B 1/3888 312/223.1 |
| D751,284 S * | 3/2016 | Kishimoto | | D3/218 | 2016/0020809 A1* | 1/2016 | Joslin | | H04B 1/3888 455/575.6 |
| 9,297,495 B2 * | 3/2016 | Fischer | | F16M 11/041 | | | | | |
| 9,362,971 B2 * | 6/2016 | Radmard | | H04B 1/3888 | | | | | |
| 2006/0261227 A1 * | 11/2006 | Petrick | | F16M 11/02 248/276.1 | | | | | |

* cited by examiner

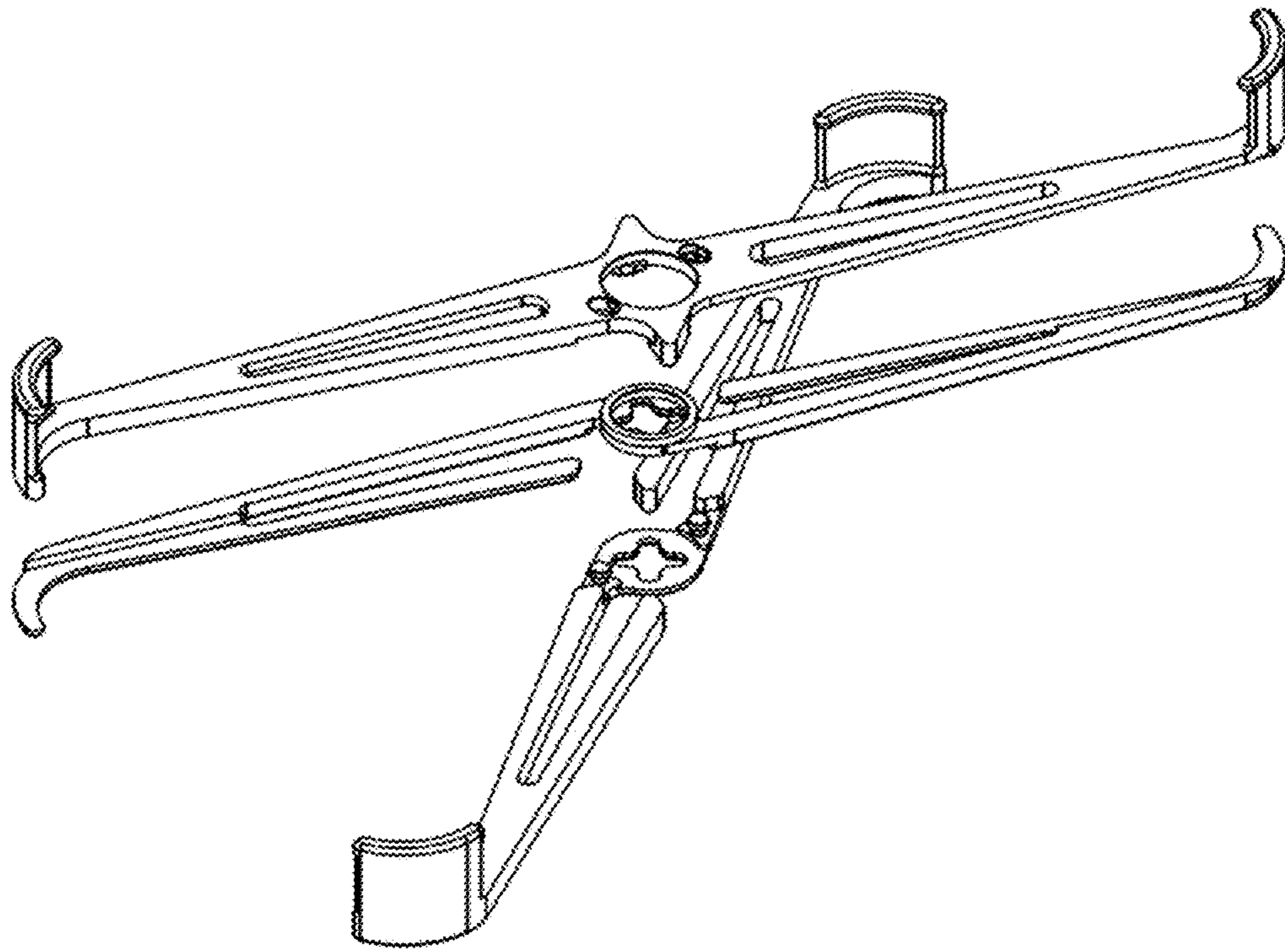


FIG. 1

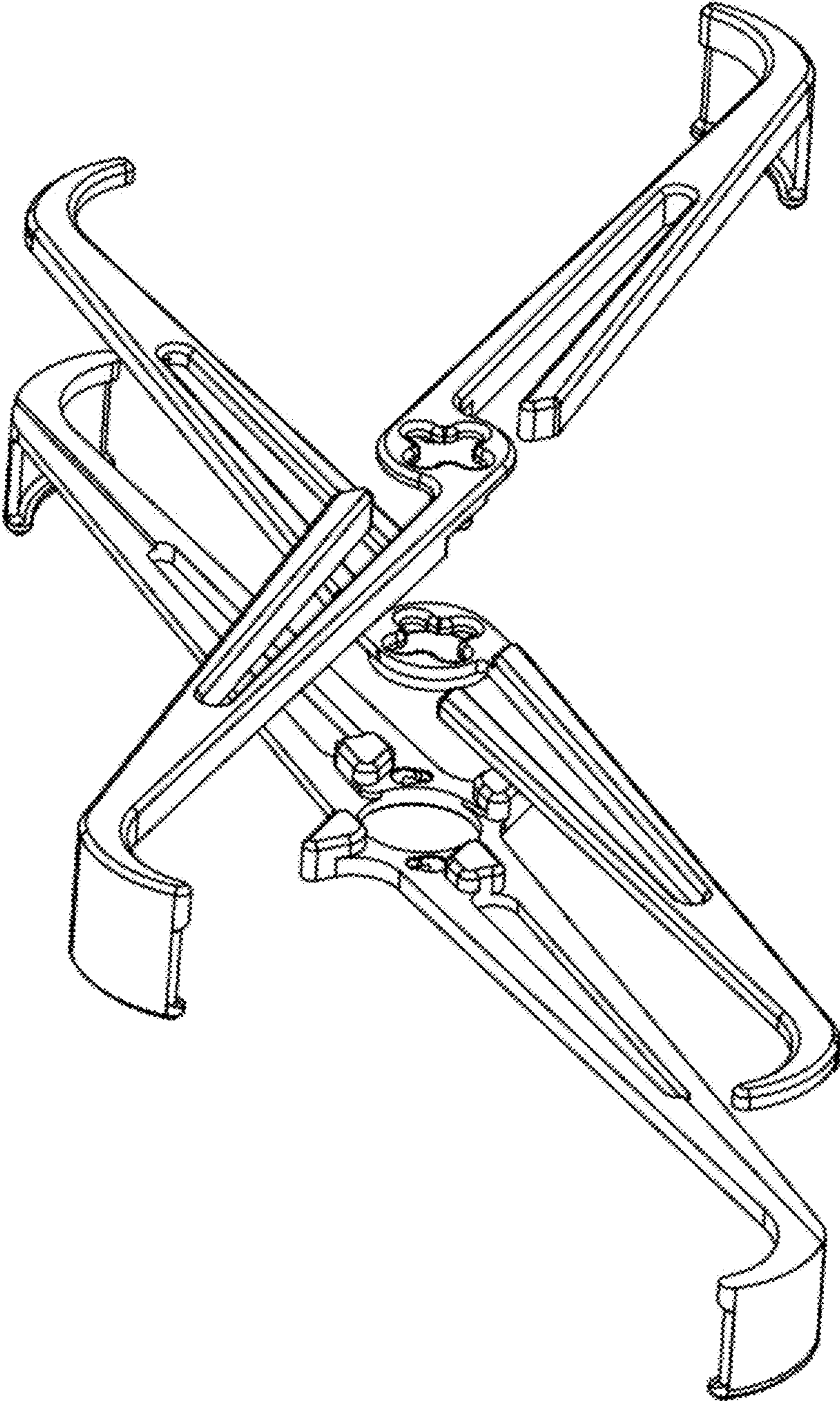


FIG. 2

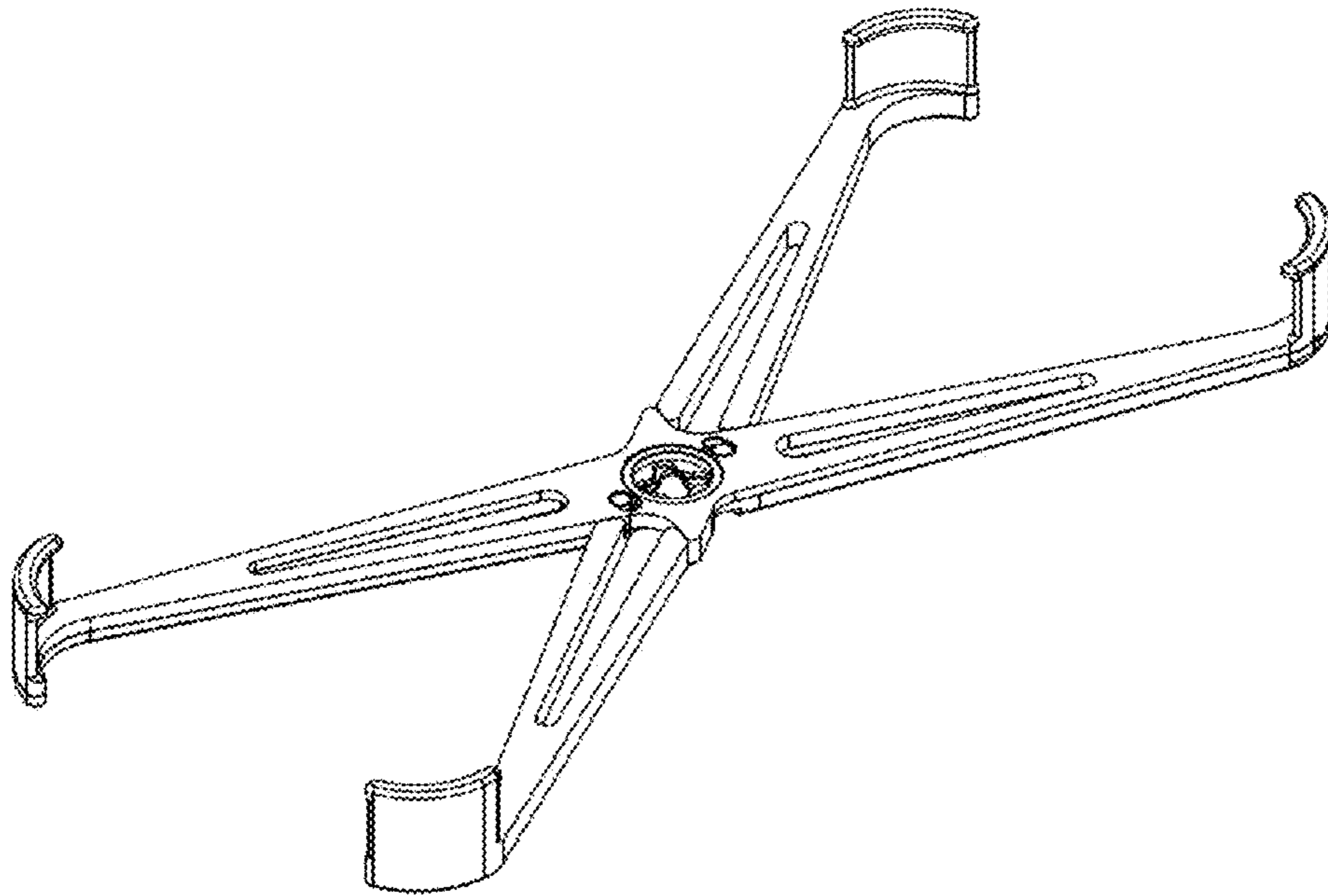


FIG. 3

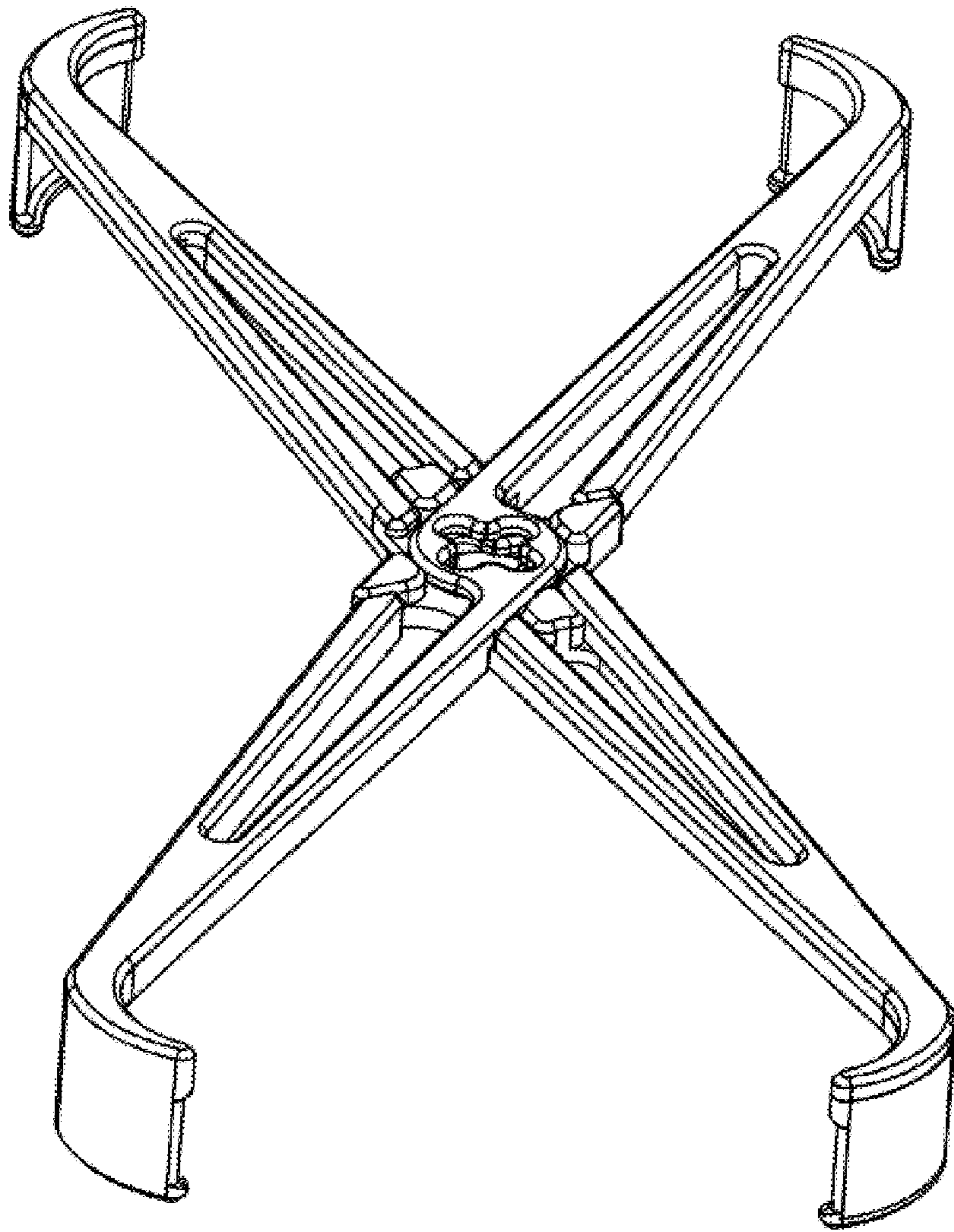


FIG. 4

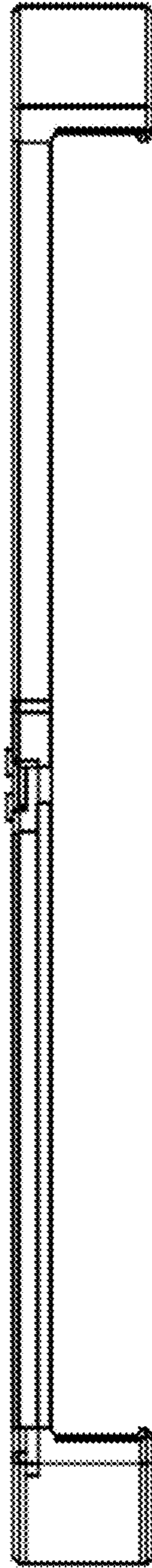


FIG. 5

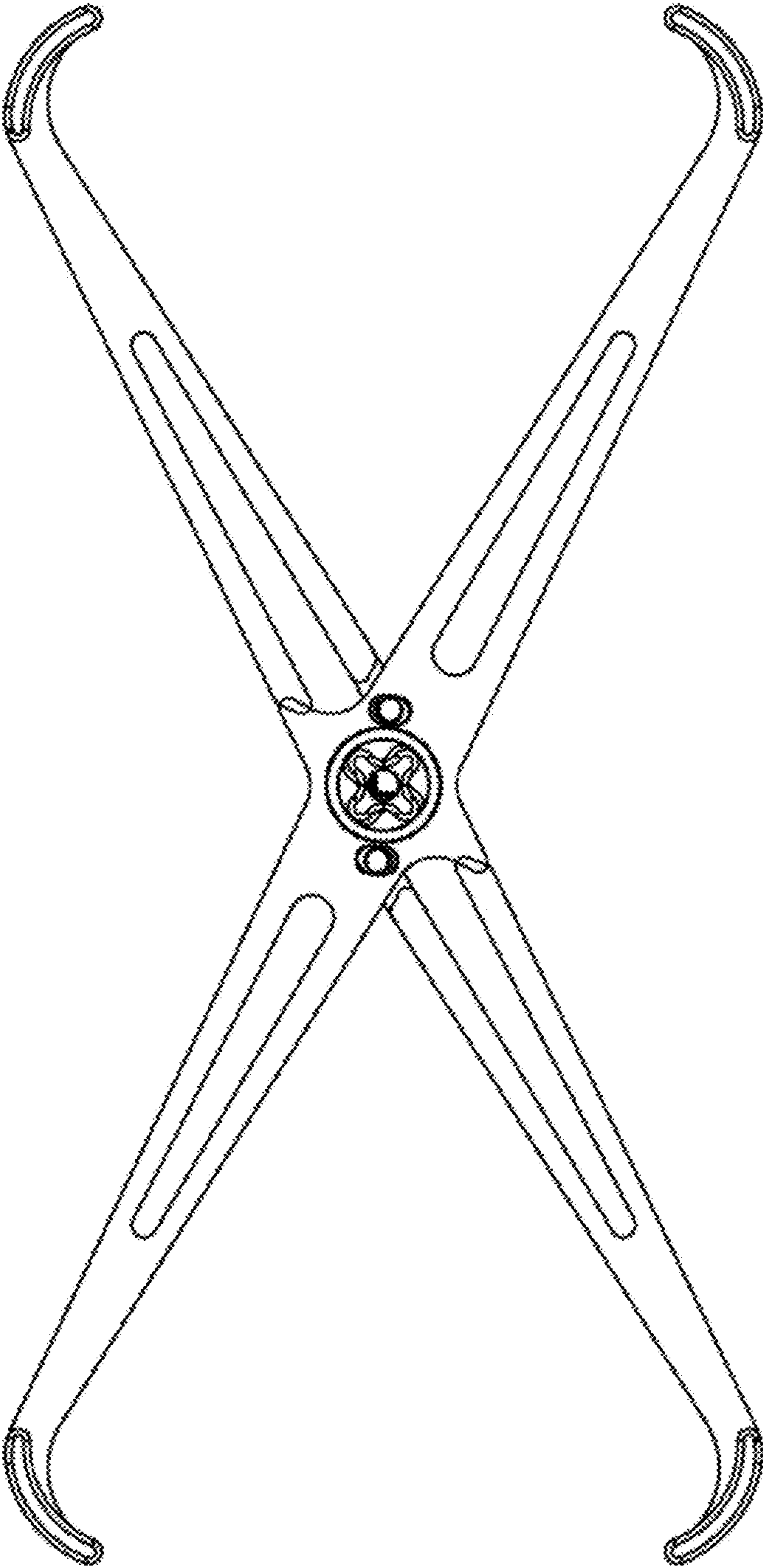


FIG. 6

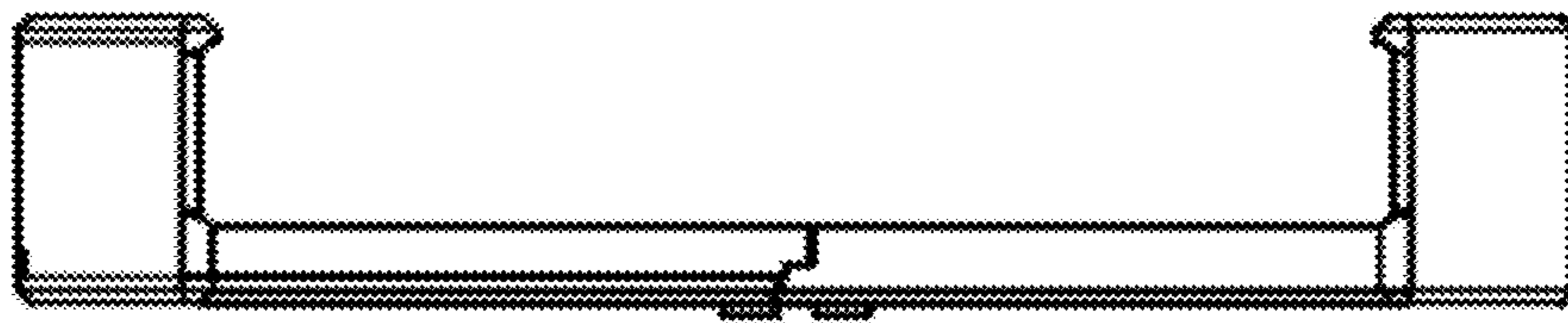


FIG. 7

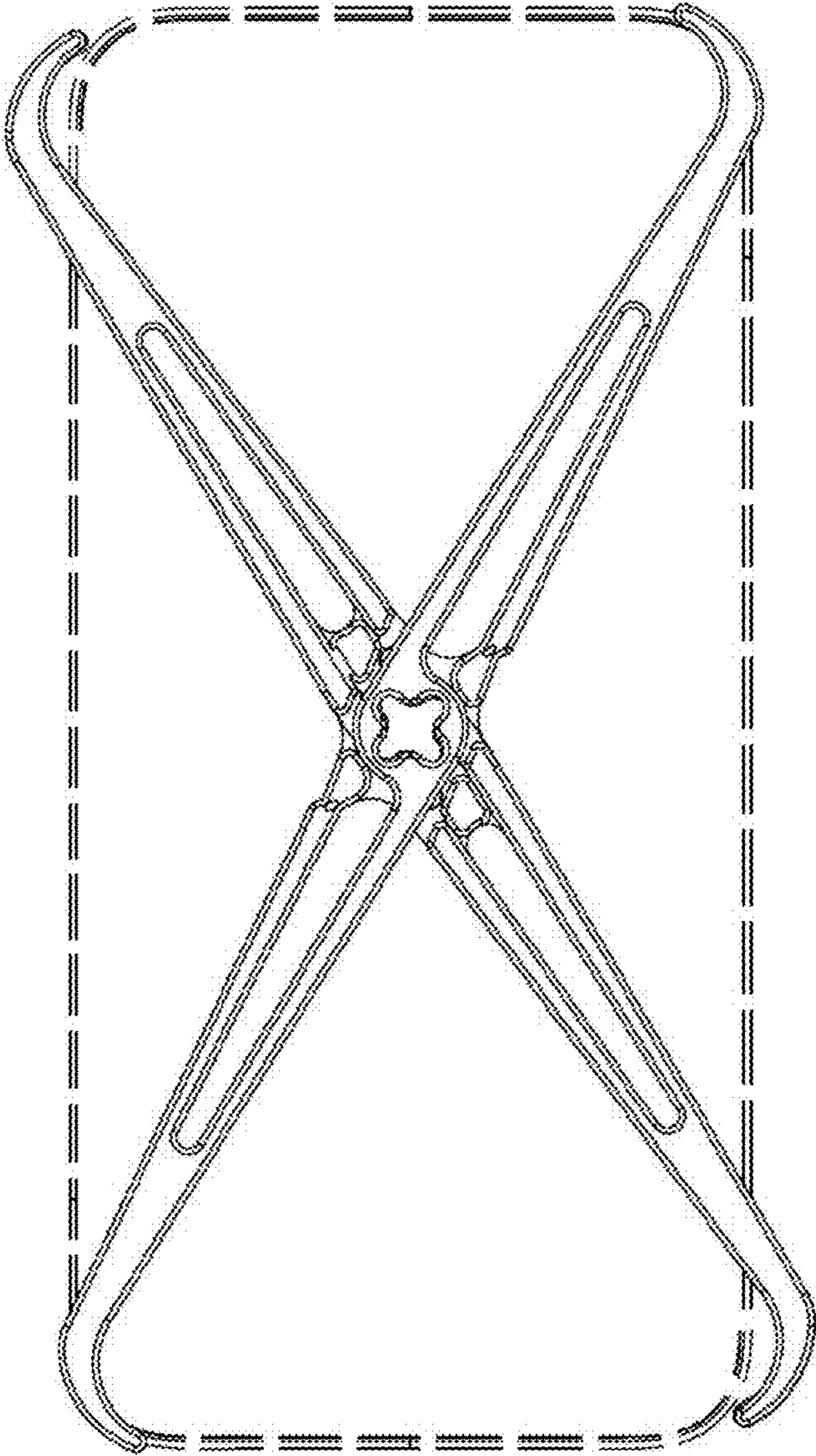


FIG. 8

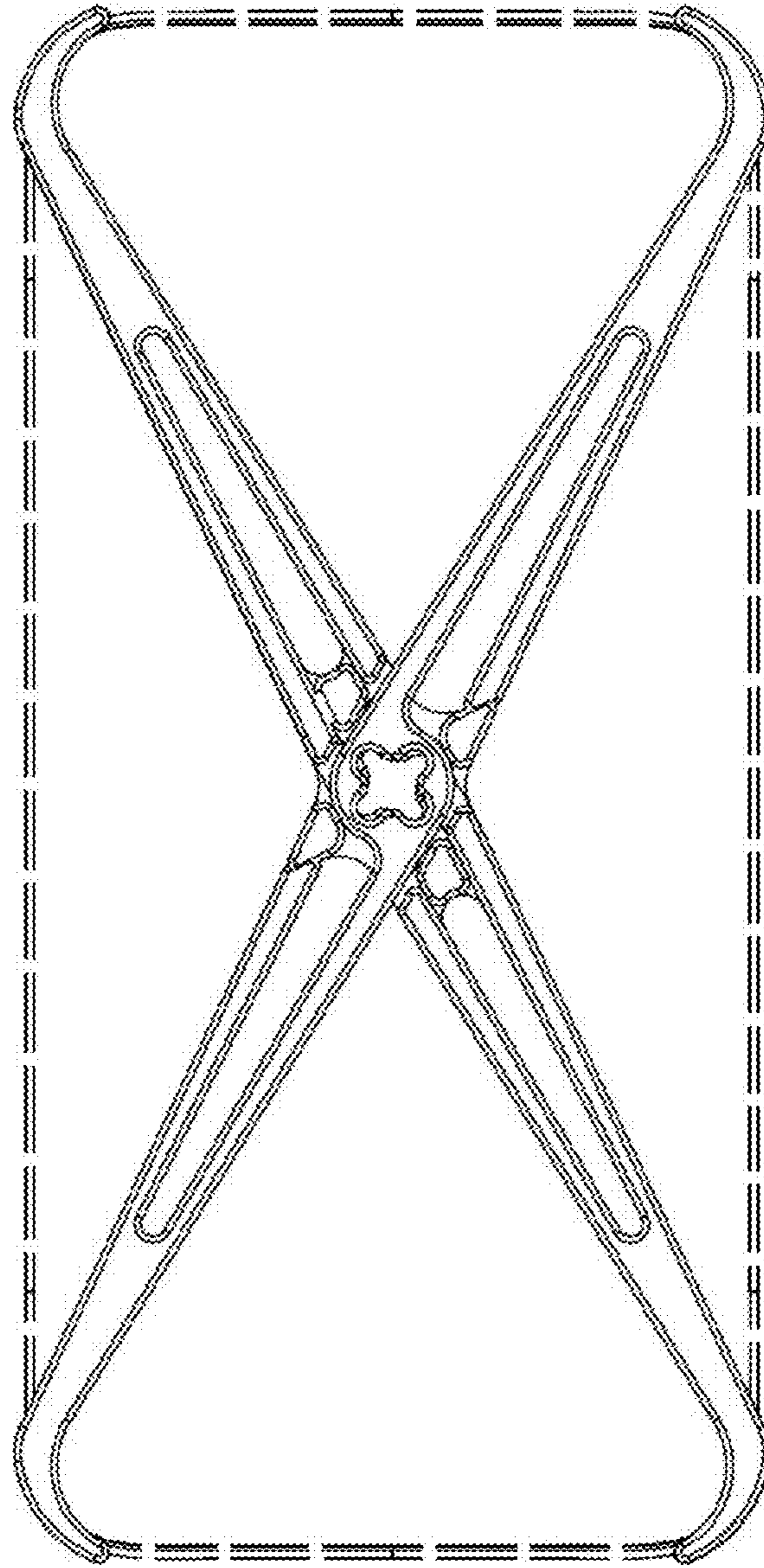


FIG. 9

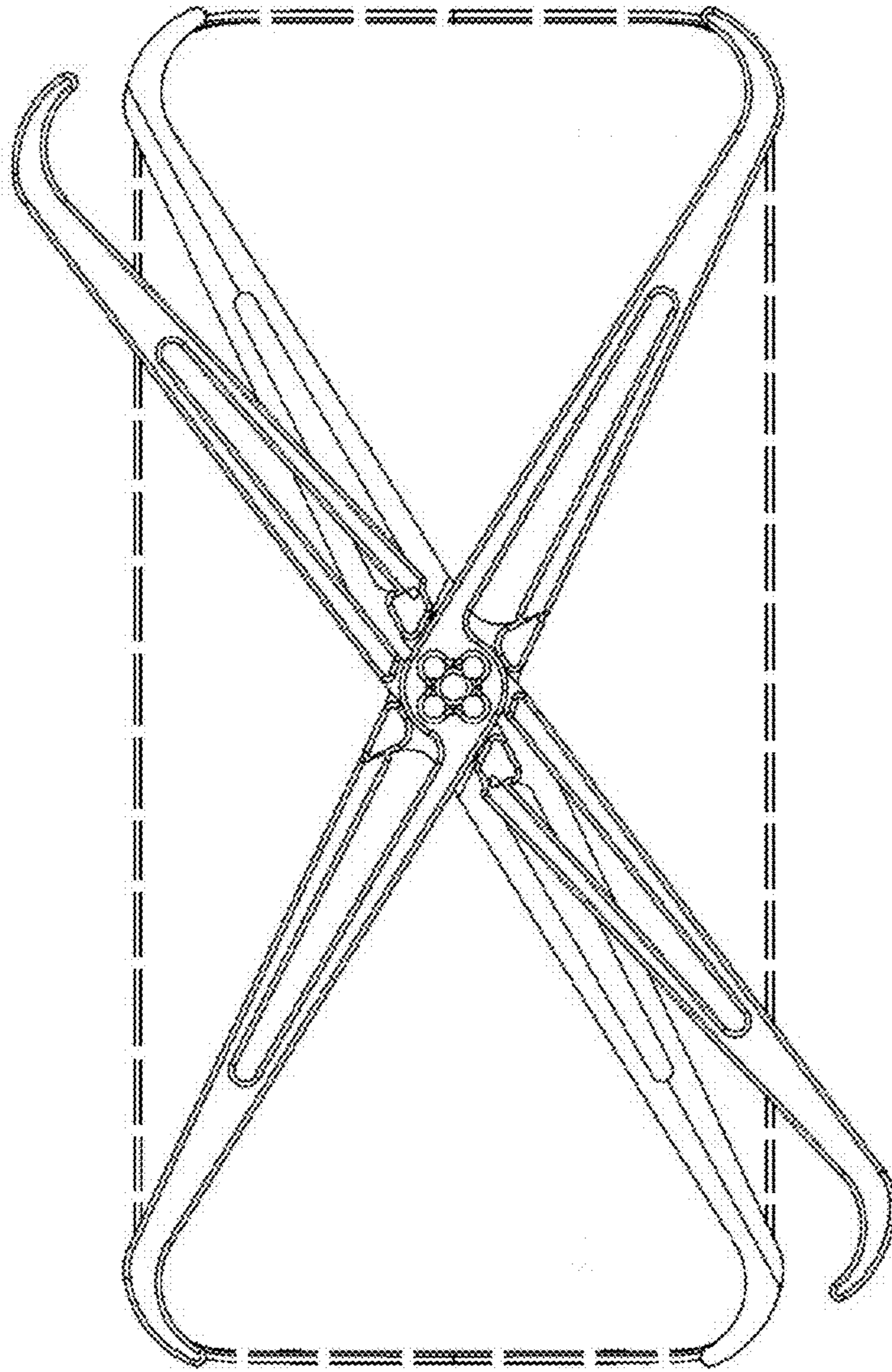


FIG. 10