



US00D764473S

(12) **United States Design Patent**
Ahee et al.

(10) **Patent No.:** **US D764,473 S**

(45) **Date of Patent:** **** Aug. 23, 2016**

- (54) **DEVICE CASE**
- (71) Applicant: **INCIPIO, LLC**, Irvine, CA (US)
- (72) Inventors: **Anthony Ahee**, Grosse Pointe Shores, MI (US); **John M. Schoenith**, Hollywood, CA (US)
- (73) Assignee: **Incipio, LLC**, Irvine, CA (US)
- (**) Term: **14 Years**
- (21) Appl. No.: **29/522,606**
- (22) Filed: **Apr. 1, 2015**
- (51) **LOC (10) Cl.** **14-02**
- (52) **U.S. Cl.**
USPC **D14/440**
- (58) **Field of Classification Search**
USPC D14/250, 440, 447; 206/45.23, 320, 206/45.2; 361/679.55; 294/25; 224/218; 1/1
CPC ... G06F 1/1628; G06F 1/1613; G06F 1/1626; A47B 23/044
See application file for complete search history.

| | | | | | | |
|--------------|------|---------|----------|-------|-------------|------------|
| 8,888,063 | B2 * | 11/2014 | Mack | | F16M 11/00 | 248/121 |
| D718,769 | S * | 12/2014 | Bassil | | D14/440 | |
| 8,971,030 | B2 * | 3/2015 | Chen | | H04M 1/0214 | 361/679.26 |
| D727,332 | S * | 4/2015 | Hirsch | | D14/440 | |
| D730,853 | S * | 6/2015 | Choi | | D14/126 | |
| D734,340 | S * | 7/2015 | Kim | | D14/440 | |
| 9,128,668 | B2 * | 9/2015 | Johnson | | G06F 1/1626 | |
| D744,490 | S * | 12/2015 | Hsu | | D14/440 | |
| 9,201,476 | B2 * | 12/2015 | Zhang | | G06F 1/203 | |
| 9,204,718 | B2 * | 12/2015 | Magauda | | A47B 23/044 | |
| D748,097 | S * | 1/2016 | Feng | | D14/440 | |
| D748,635 | S * | 2/2016 | Hsu | | D14/440 | |
| D750,085 | S * | 2/2016 | Hsu | | D14/440 | |
| 2010/0110629 | A1 * | 5/2010 | Dietz | | A45C 11/00 | 361/679.55 |
| 2011/0285258 | A1 * | 11/2011 | Yuan | | G06F 1/1626 | 312/223.2 |
| 2012/0153116 | A1 * | 6/2012 | Harrison | | A47B 23/044 | 248/460 |
| 2013/0088431 | A1 * | 4/2013 | Ballagas | | G06F 1/1626 | 345/168 |
| 2013/0271373 | A1 * | 10/2013 | Milhe | | G06F 1/1671 | 345/168 |
| 2014/0071654 | A1 * | 3/2014 | Chien | | H01H 13/704 | 362/23.03 |
| 2015/0001105 | A1 * | 1/2015 | Nyholm | | A45C 11/00 | 206/45.2 |

* cited by examiner

Primary Examiner — Cynthia Underwood
(74) *Attorney, Agent, or Firm* — Manatt, Phelps & Phillip, LLP

(56) **References Cited**
U.S. PATENT DOCUMENTS

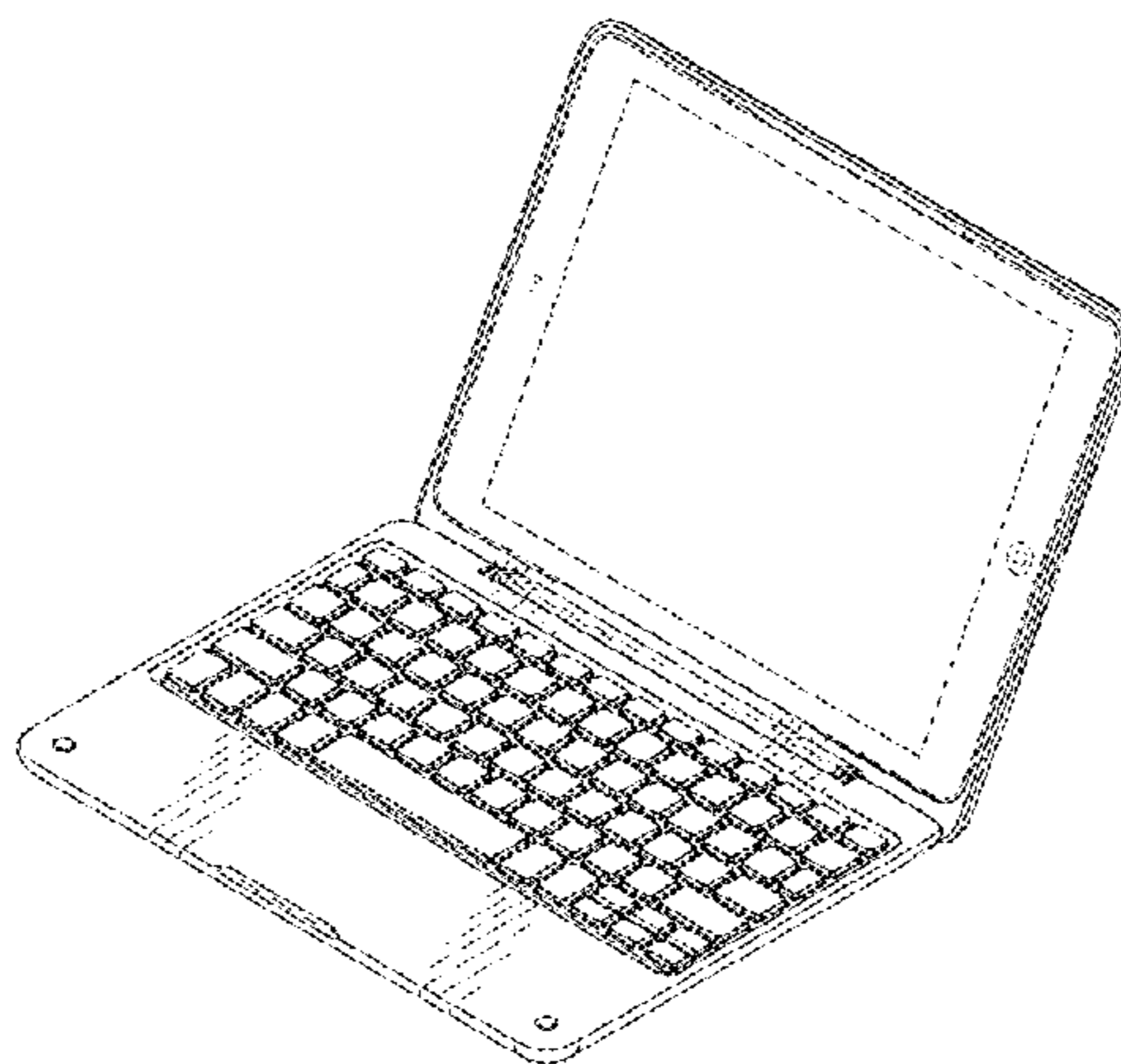
| | | | | | | |
|-----------|------|---------|-----------|-------|-------------|---------|
| 6,016,248 | A * | 1/2000 | Anzai | | G06F 1/1626 | 248/463 |
| 8,173,893 | B2 * | 5/2012 | Huang | | A45C 11/00 | 136/251 |
| D675,625 | S * | 2/2013 | Hasbrook | | D14/440 | |
| D679,277 | S * | 4/2013 | Probst | | D14/440 | |
| D692,432 | S * | 10/2013 | Liu | | D14/440 | |
| D694,245 | S * | 11/2013 | Sanz | | D14/440 | |
| D701,210 | S * | 3/2014 | Bates | | D14/440 | |
| D703,626 | S * | 4/2014 | Hermansen | | D14/126 | |
| D706,783 | S * | 6/2014 | Almodova | | D14/440 | |
| D707,229 | S * | 6/2014 | Almodova | | D14/440 | |
| 8,763,795 | B1 * | 7/2014 | Oten | | A45C 11/00 | 206/320 |
| 8,783,458 | B2 * | 7/2014 | Gallagher | | F16M 11/105 | 206/320 |
| 8,797,132 | B2 * | 8/2014 | Childs | | A45C 11/00 | 206/320 |

(57) **CLAIM**
The ornamental design for a device case, as shown and described.

DESCRIPTION

FIG. 1 is a perspective view of the present invention.
FIG. 2 is a front elevational view thereof.
FIG. 3 is a rear elevational view thereof.
FIG. 4 is a top plan view thereof.
FIG. 5 is a bottom view thereof.
FIG. 6 is a side profile view thereof; and,
FIG. 7 is an opposing side profile view thereof.
The broken lines depict environment and form no part of the claim.

1 Claim, 7 Drawing Sheets



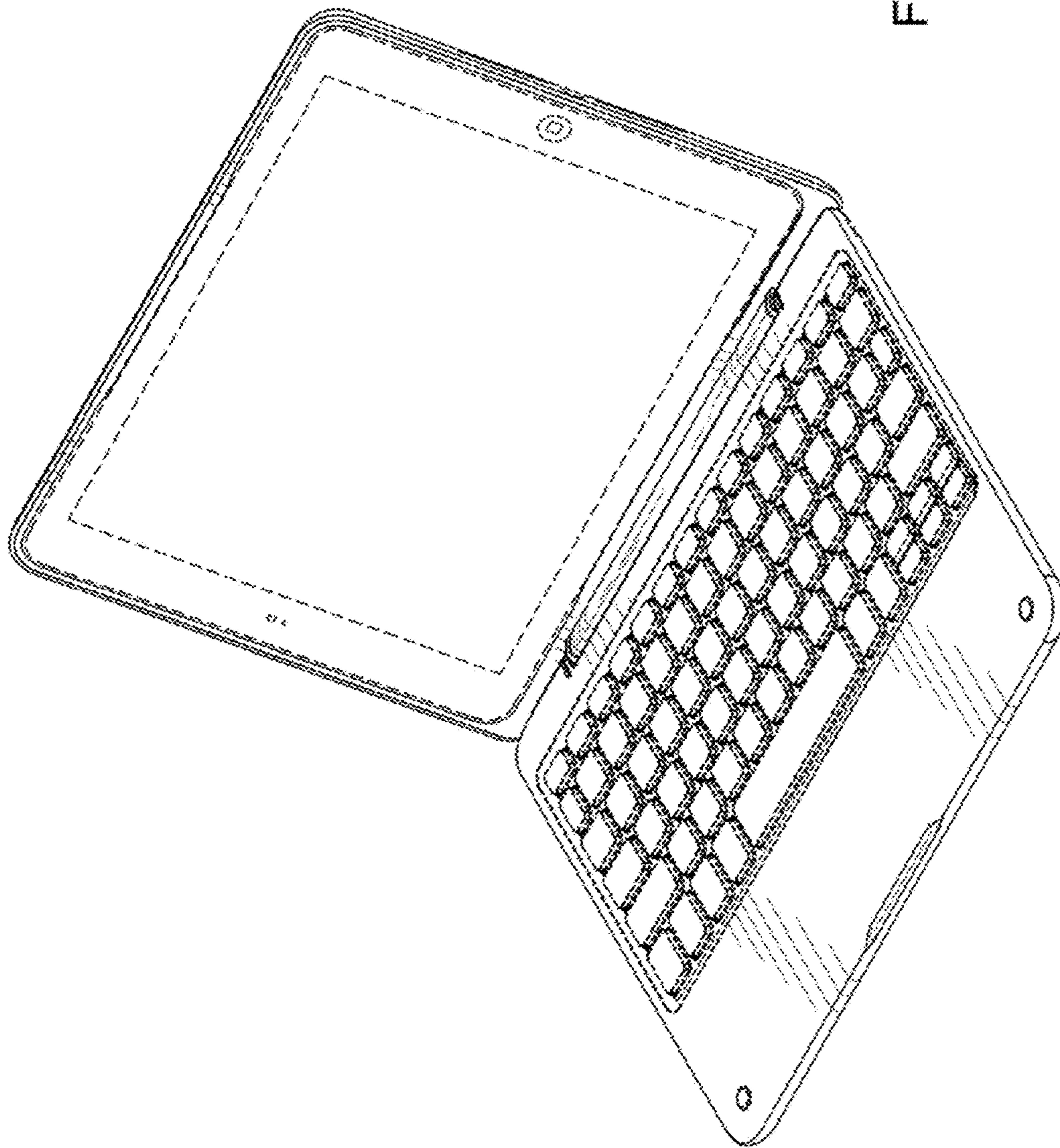


Fig-1

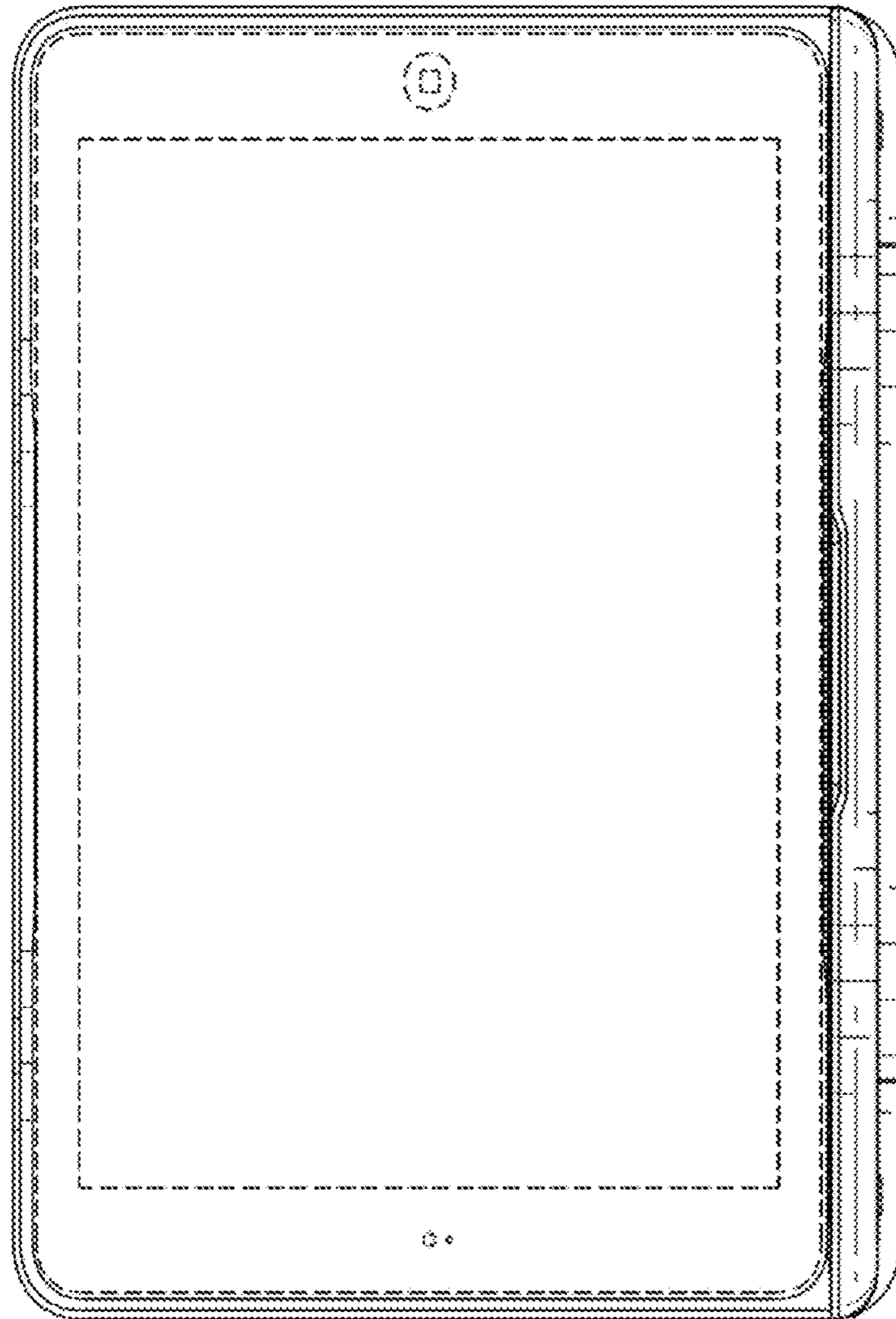


Fig-2

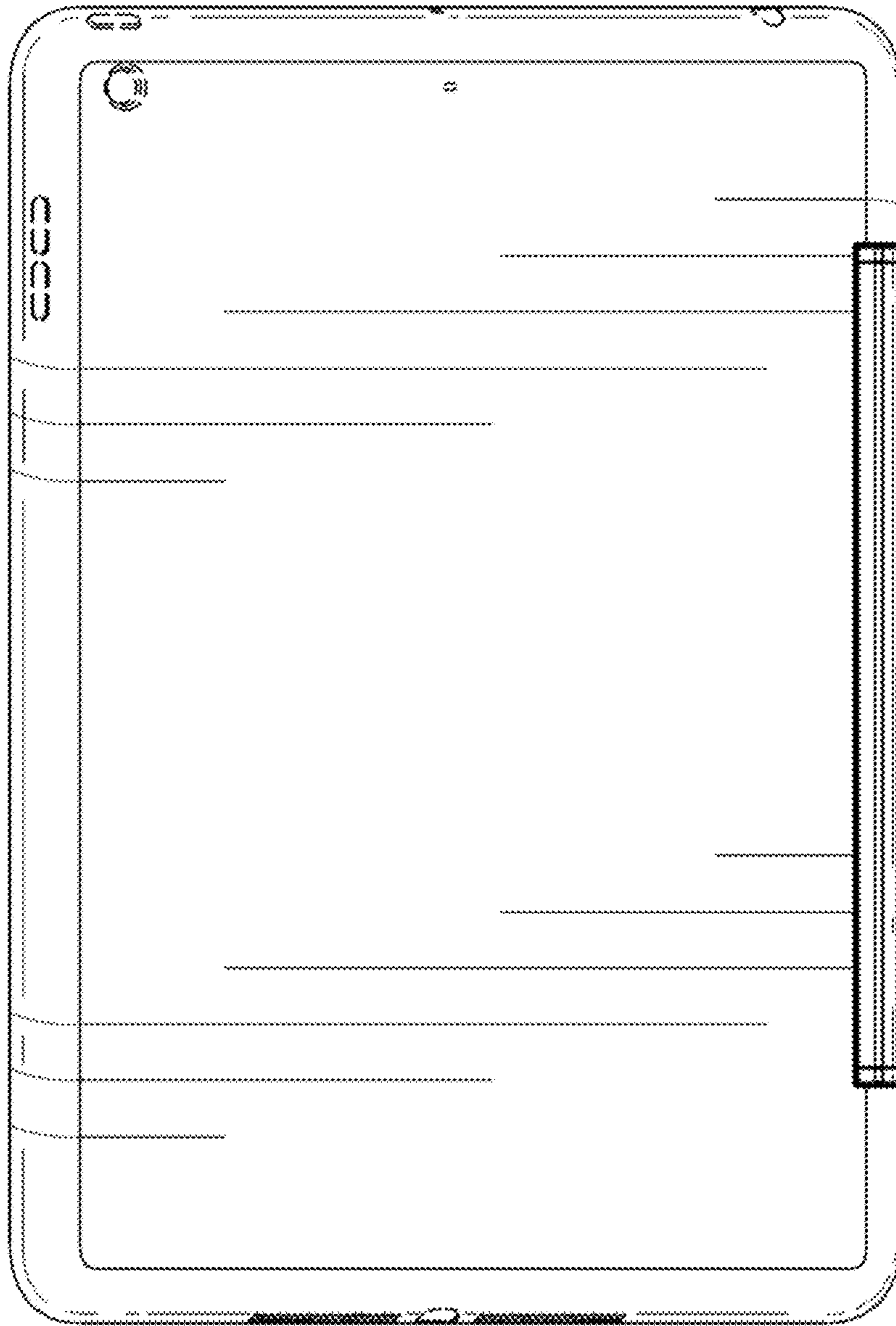


Fig-3

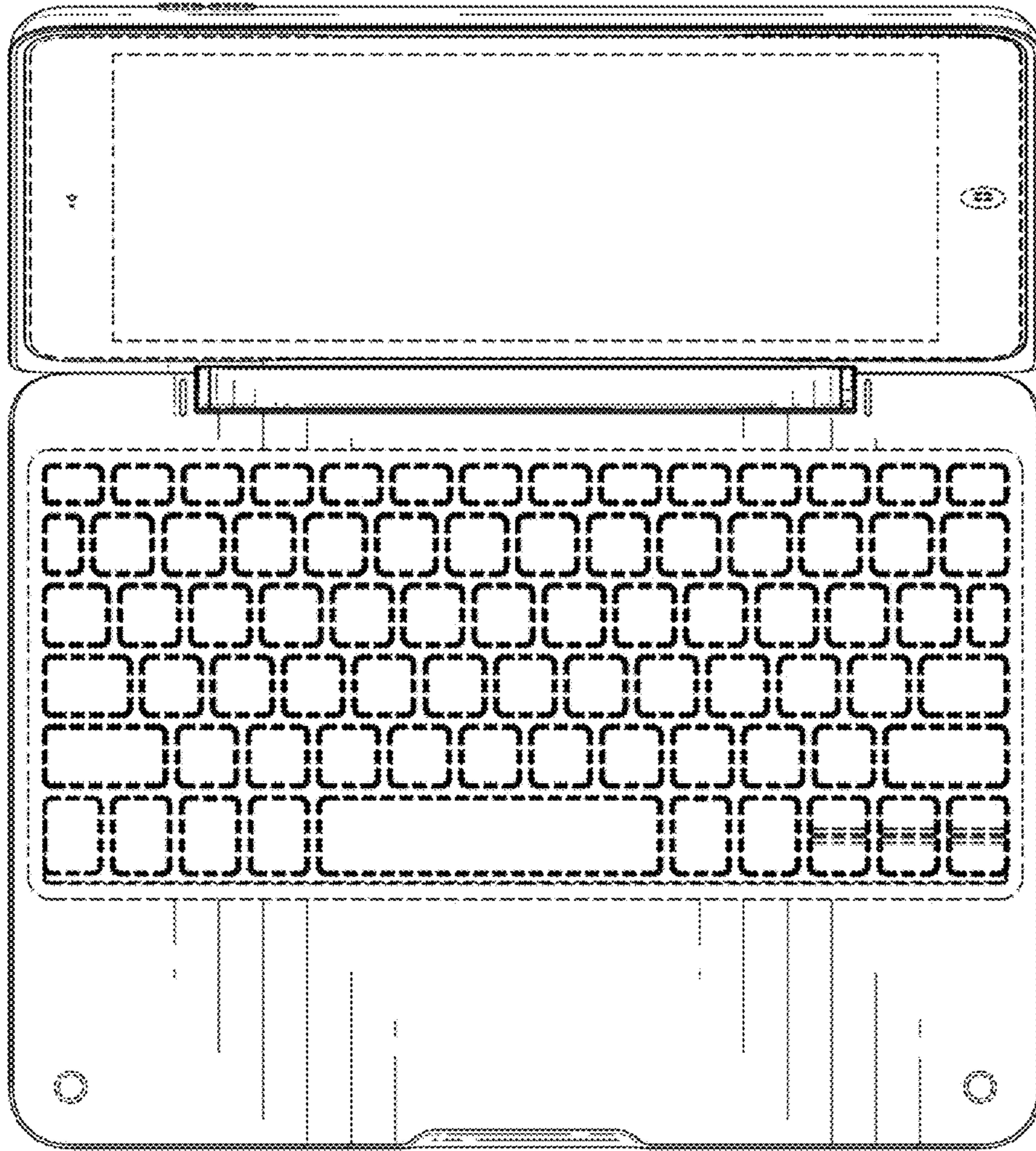


Fig-4

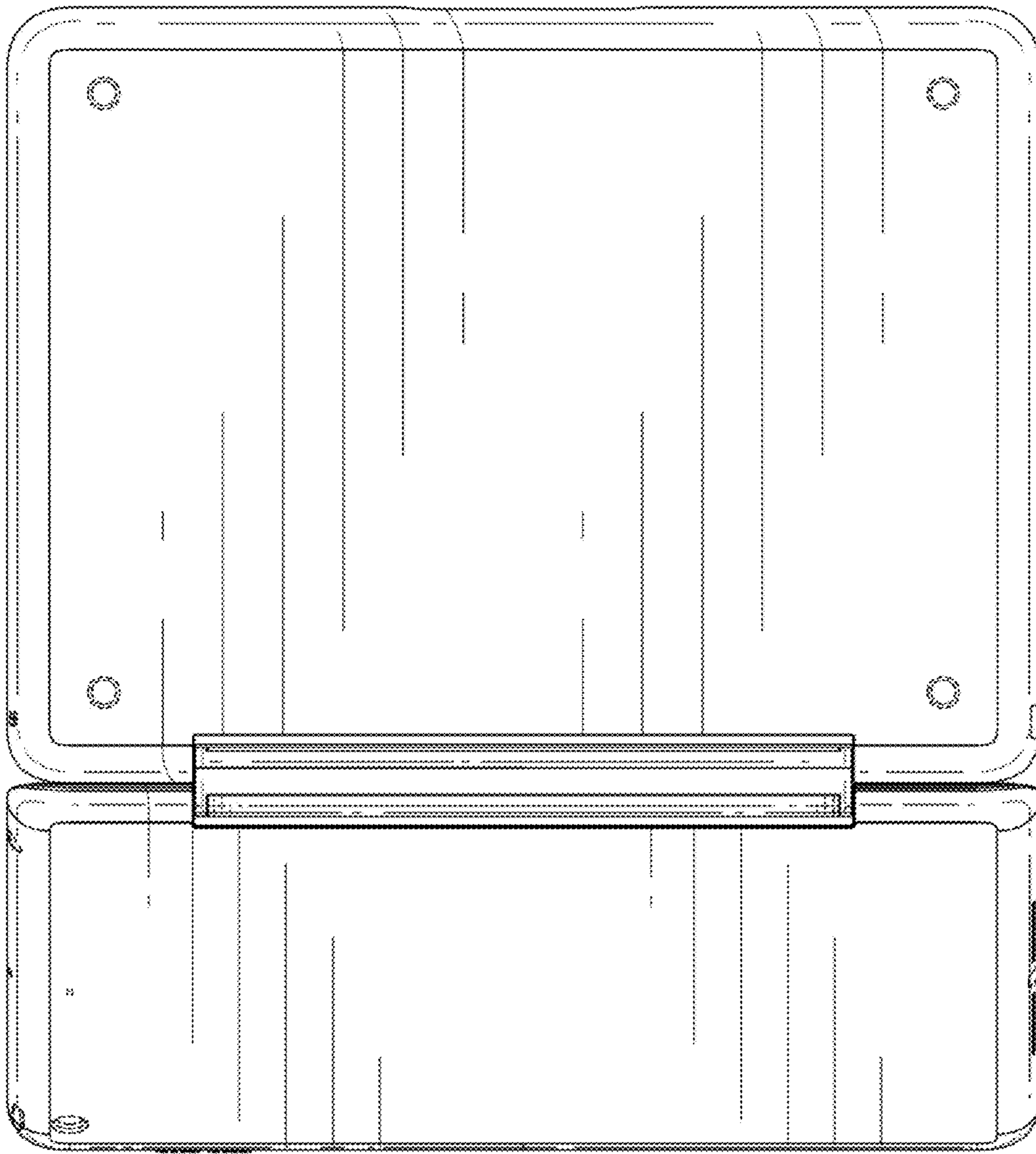


Fig-5

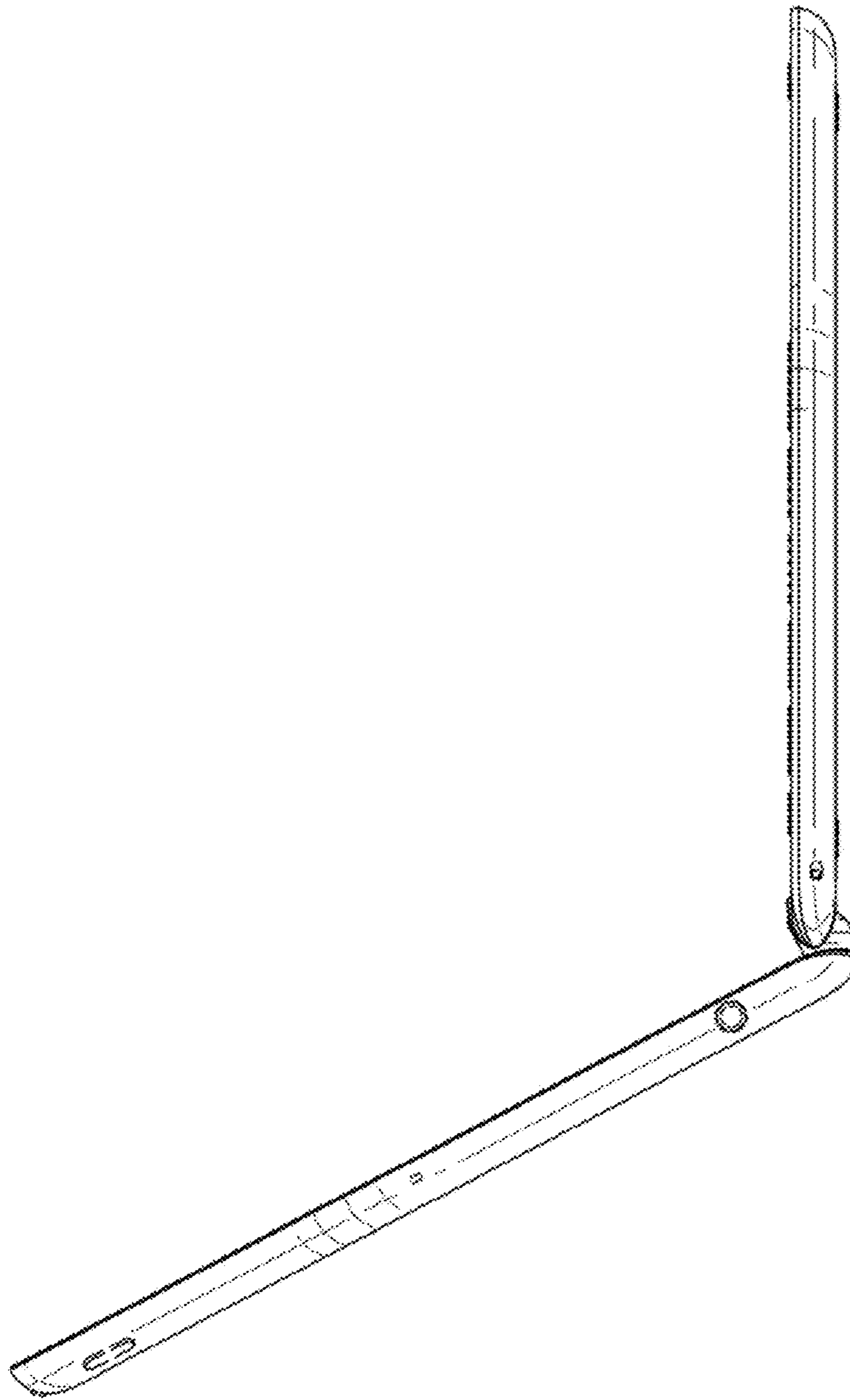


Fig-6

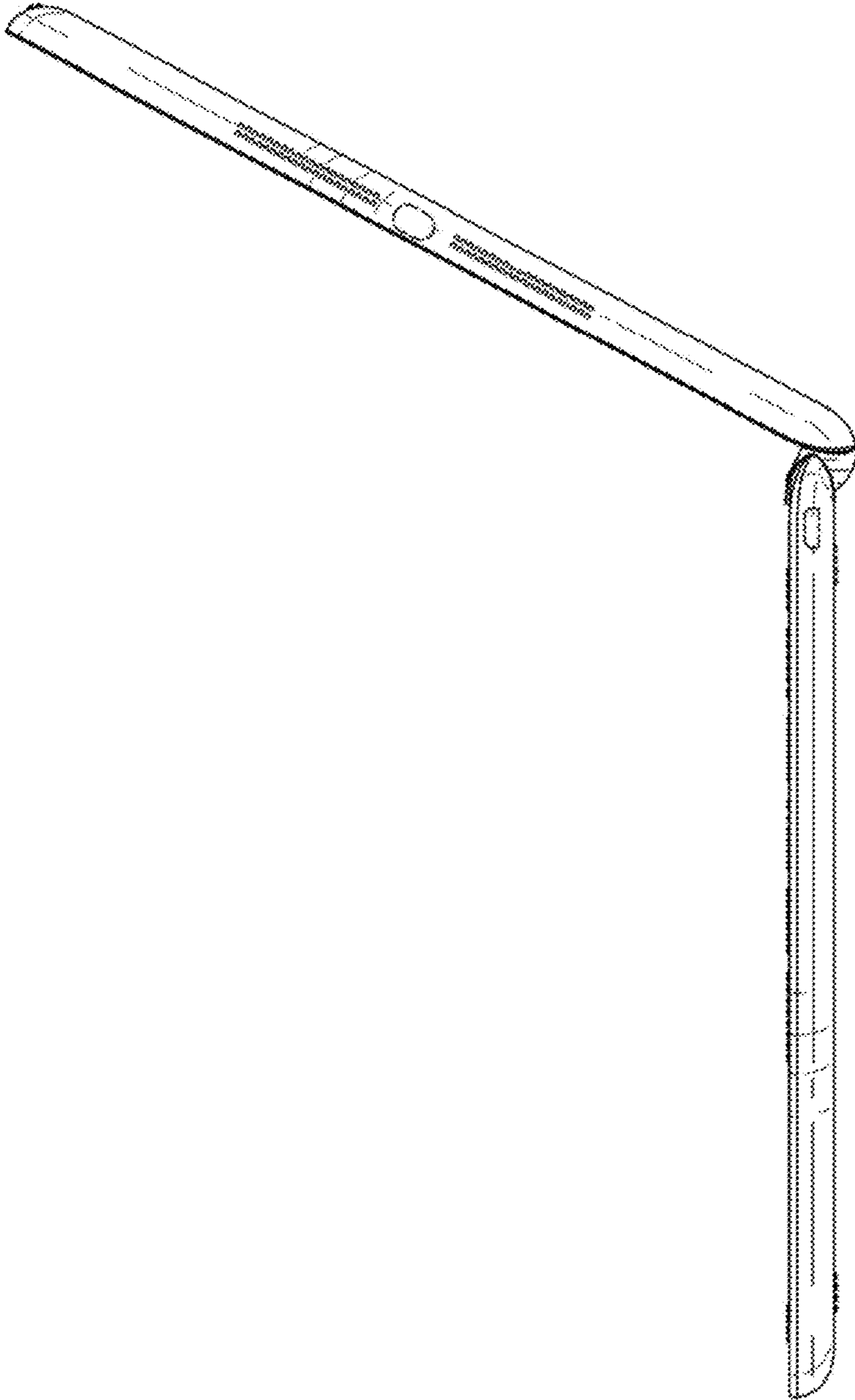


Fig-7