



US00D764470S

(12) **United States Design Patent**
Jost

(10) **Patent No.:** **US D764,470 S**

(45) **Date of Patent:** **** Aug. 23, 2016**

(54) **COMPUTER MOUSE**

(71) Applicant: **Roccat GmbH**, Hamburg (DE)

(72) Inventor: **Andreas Jost**, Hamburg (DE)

(73) Assignee: **ROCCAT GMBH**, Hamburg (DE)

(**) Term: **15 Years**

(21) Appl. No.: **29/534,257**

(22) Filed: **Jul. 27, 2015**

(51) **LOC (10) Cl.** **14-03**

(52) **U.S. Cl.**
USPC **D14/406**

(58) **Field of Classification Search**
USPC D14/402-411, 356, 388, 389, 383-385,
D14/417, 426; 345/156-167; 463/36-38;
358/471, 473; 273/148 B
CPC G06F 3/03543; G06F 2203/0333;
G06F 3/039; G06F 3/038; G06F 2203/0384
See application file for complete search history.

(56) **References Cited**

U.S. PATENT DOCUMENTS

D574,379 S *	8/2008	Manalo	D14/402
D594,459 S *	6/2009	Manalo	D14/402
D596,180 S *	7/2009	Manalo	D14/406
D596,181 S *	7/2009	Bolotin	D14/402
D606,075 S *	12/2009	Manalo	D14/406
D665,392 S *	8/2012	Jost	D14/409

D739,406 S *	9/2015	Jost	D14/409
D745,870 S *	12/2015	Jost	D14/409
D758,368 S *	6/2016	Lowe	D14/406

* cited by examiner

Primary Examiner — Austin Murphy

(74) *Attorney, Agent, or Firm* — Inventa Capital PLC

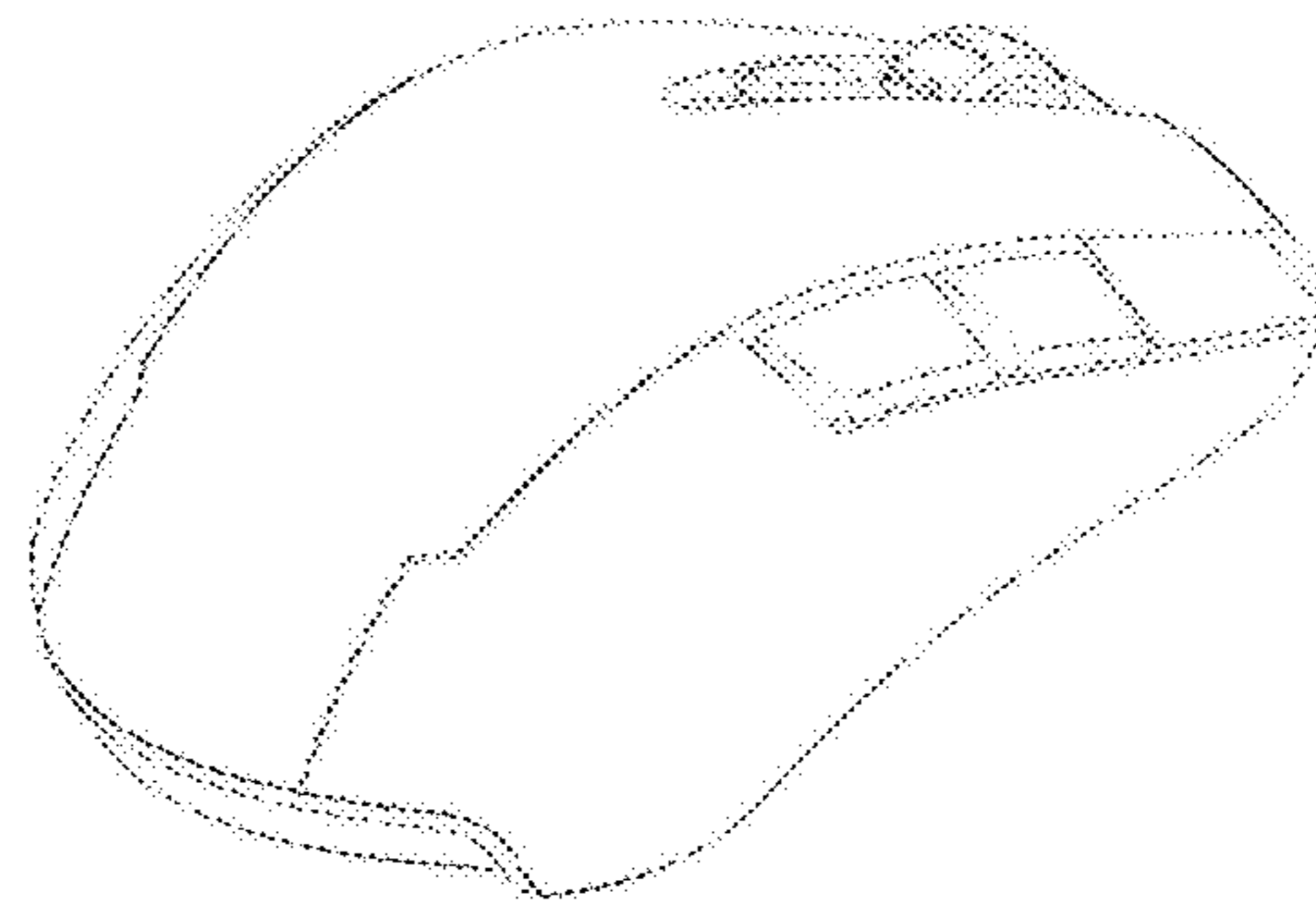
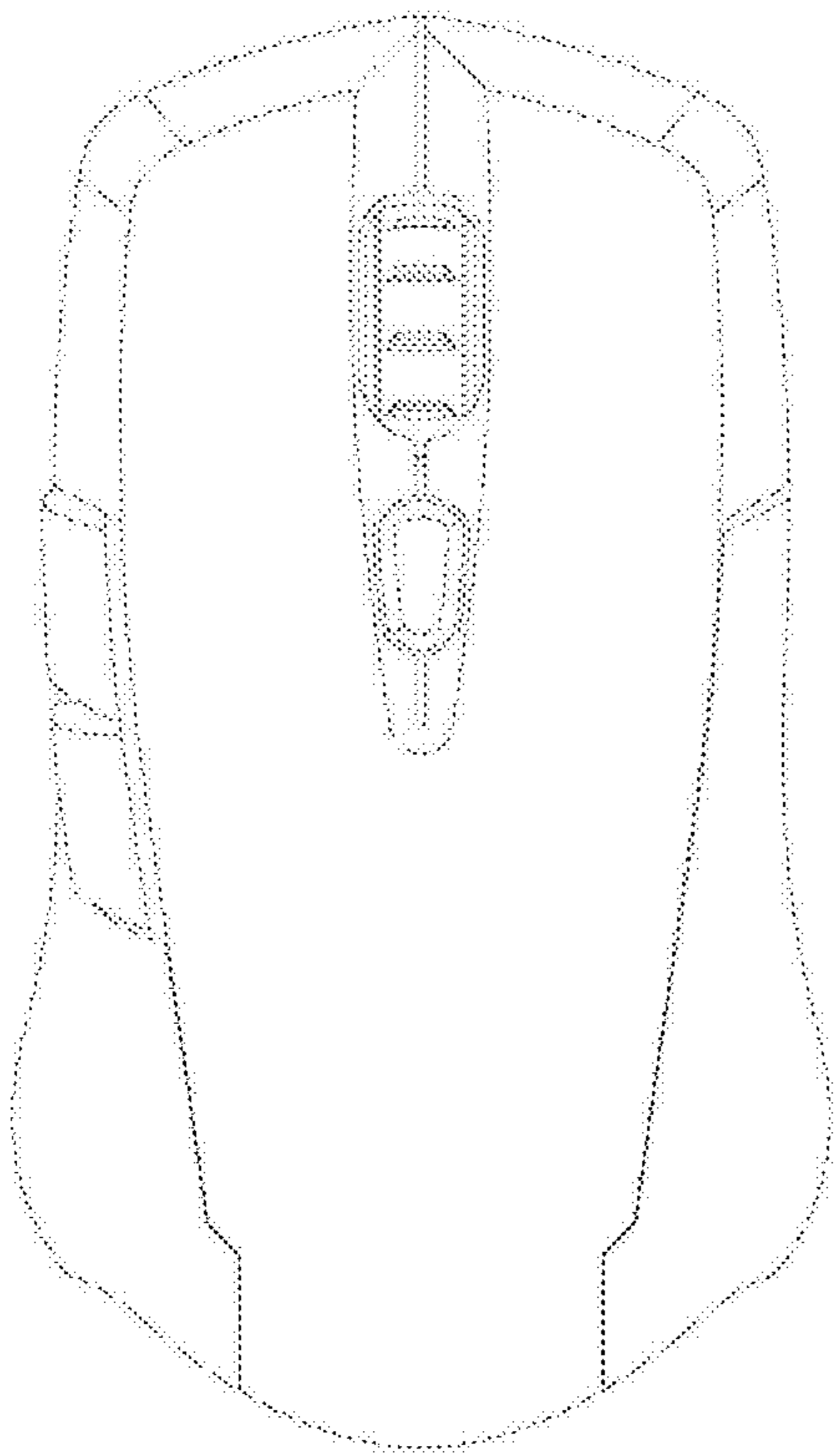
(57) **CLAIM**

I claim the ornamental design for a computer mouse, as shown and described.

DESCRIPTION

FIG. 1 is a perspective front view of a computer mouse;
FIG. 2 is a front view of the computer mouse;
FIG. 3 is a back view of the computer mouse;
FIG. 4 is a right side view of the computer mouse;
FIG. 5 is a left side view of the computer mouse;
FIG. 6 is a top view of the computer mouse;
FIG. 8 is a bottom view of the computer mouse;
FIG. 9 is another perspective front view of the computer mouse;
FIG. 10 is another perspective back view of the computer mouse;
FIG. 11 is another front view of the computer mouse;
FIG. 12 is another back view of the computer mouse;
FIG. 13 is another left side view of the computer mouse;
FIG. 14 is another right side view of the computer mouse;
FIG. 15 is another top view of the computer mouse; and,
FIG. 16 is another bottom view of the computer mouse.

1 Claim, 10 Drawing Sheets



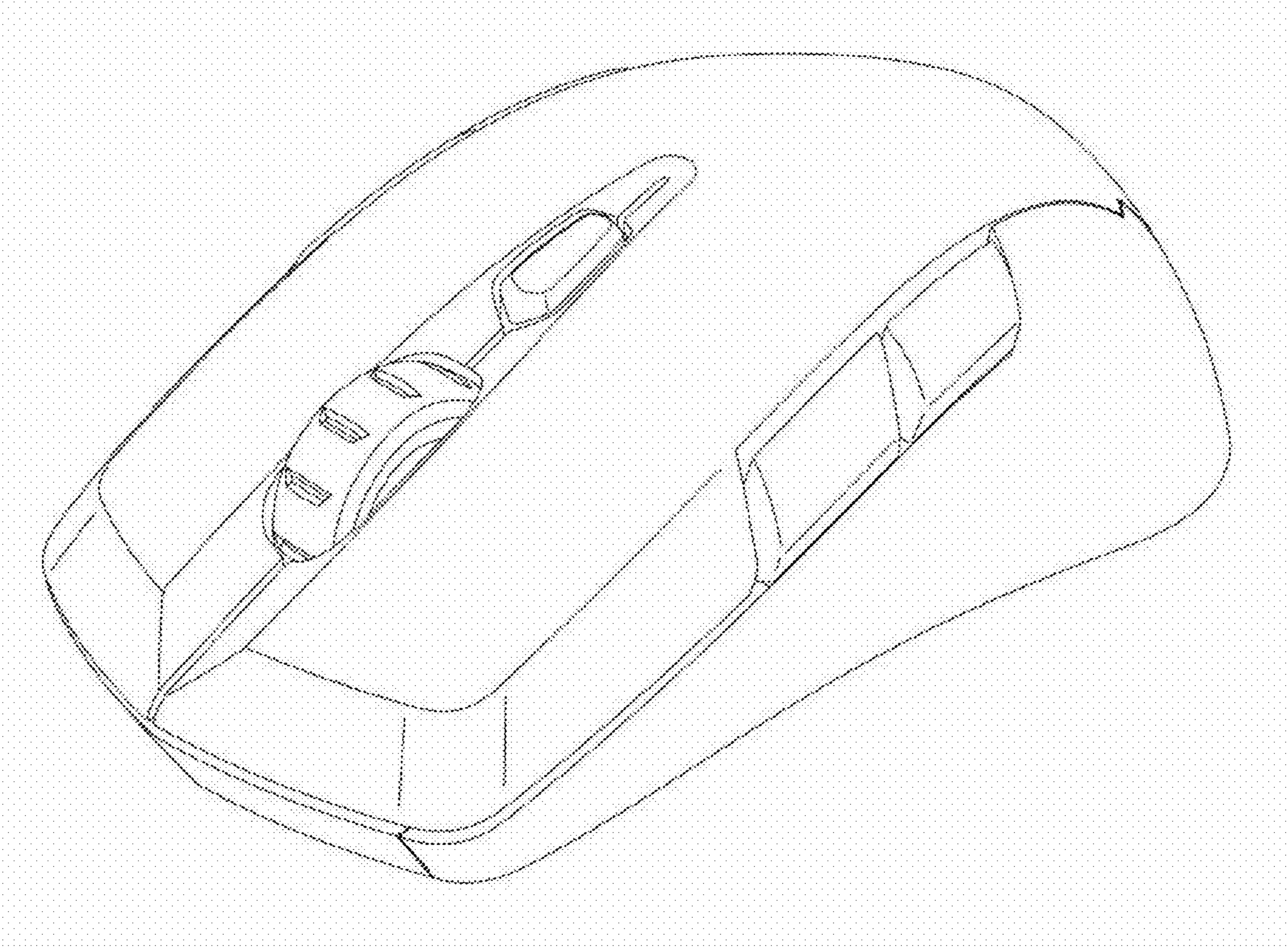


FIG. 1

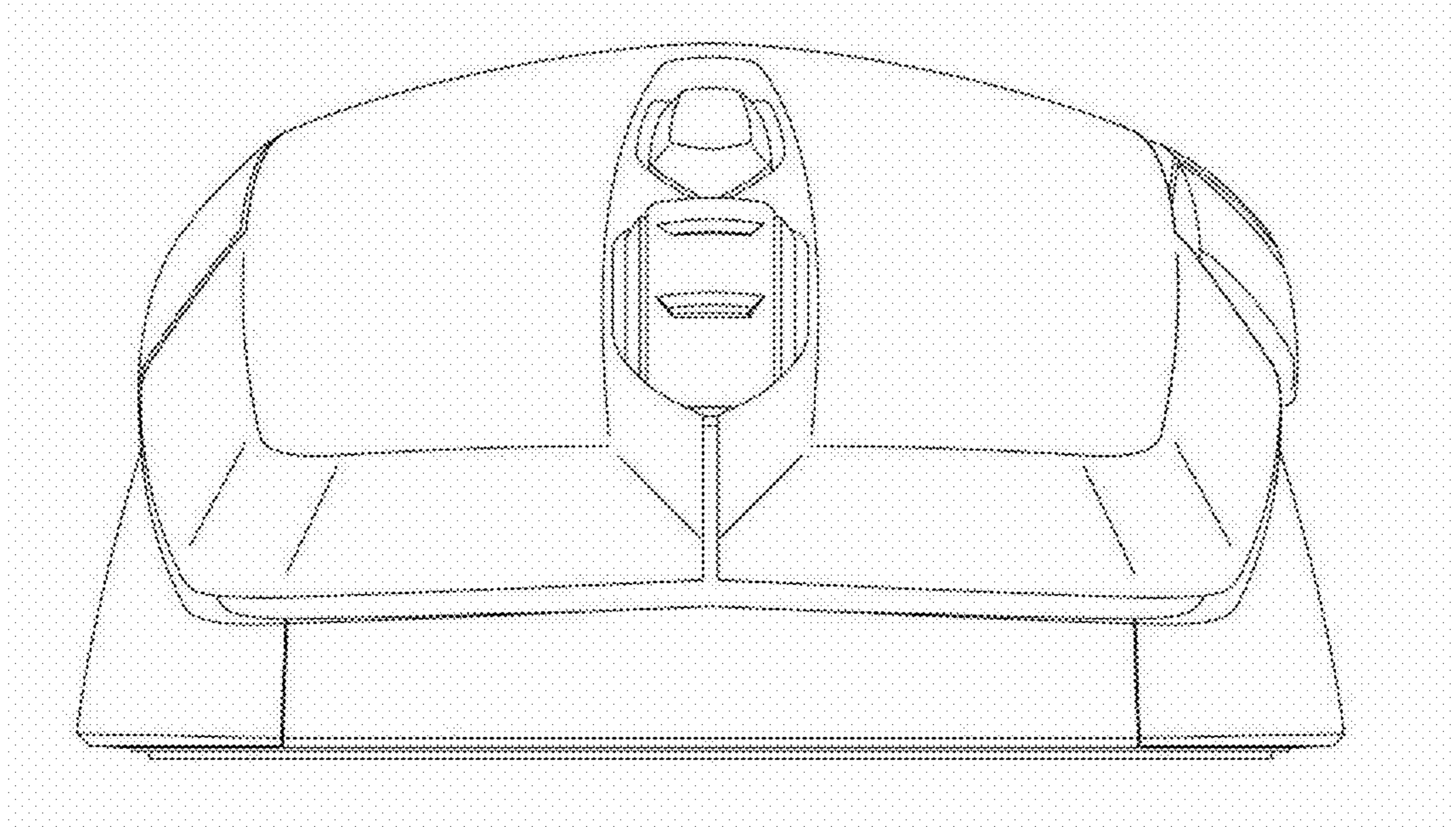


FIG. 2

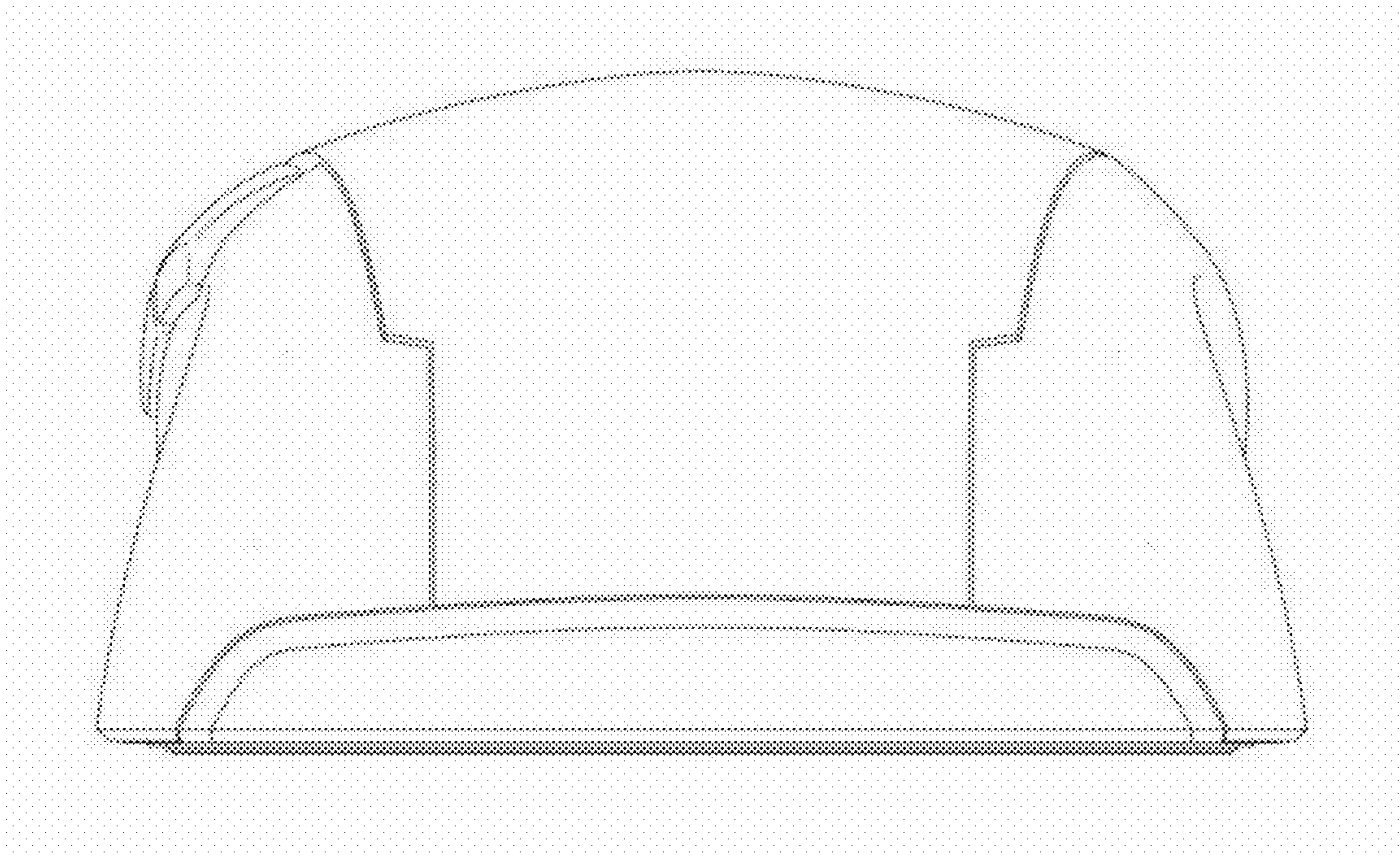


FIG. 3

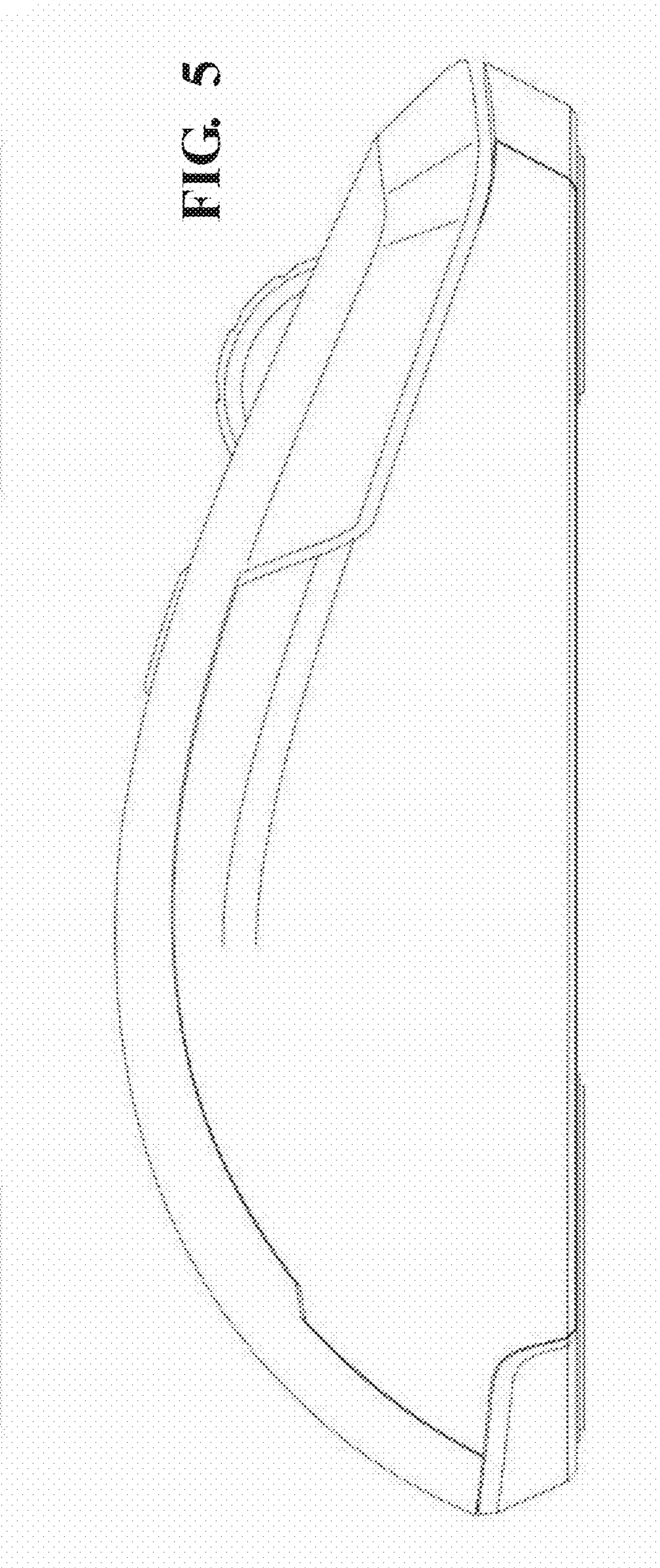
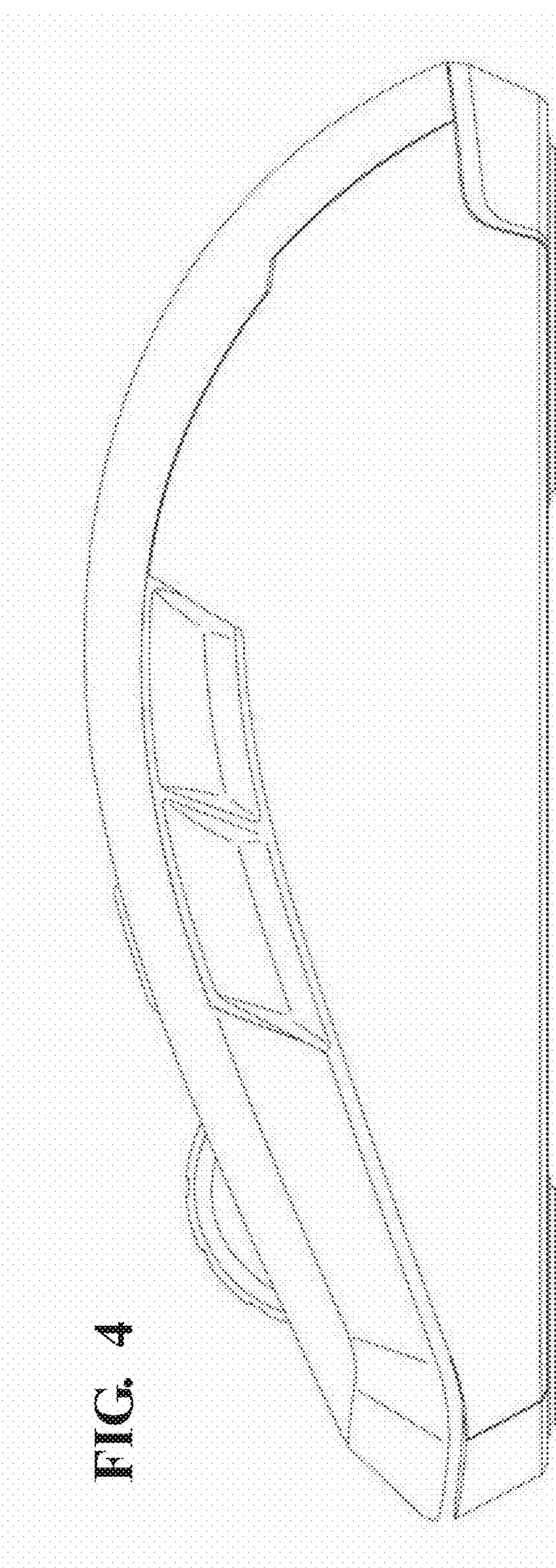


FIG. 6

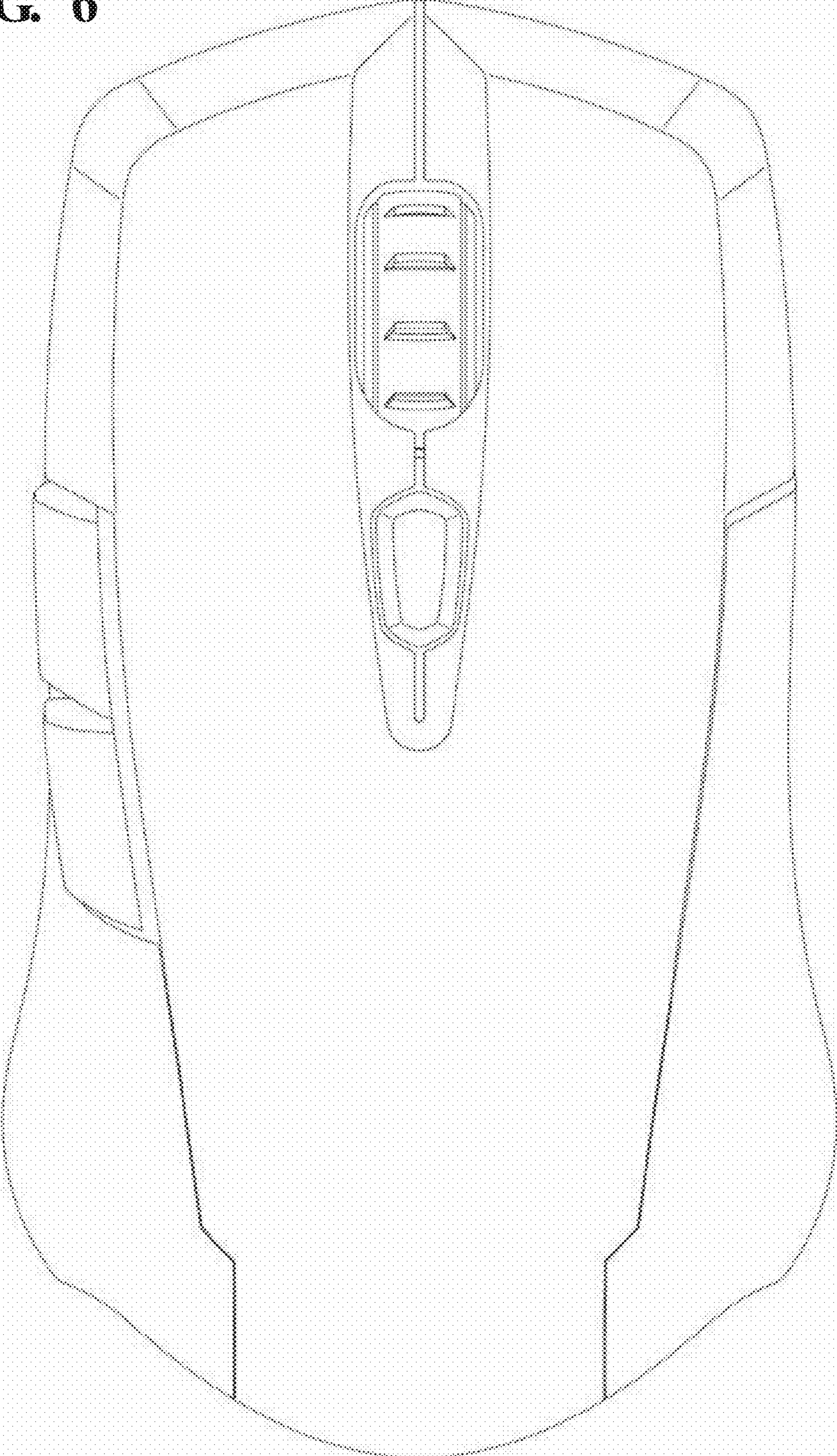


FIG. 8

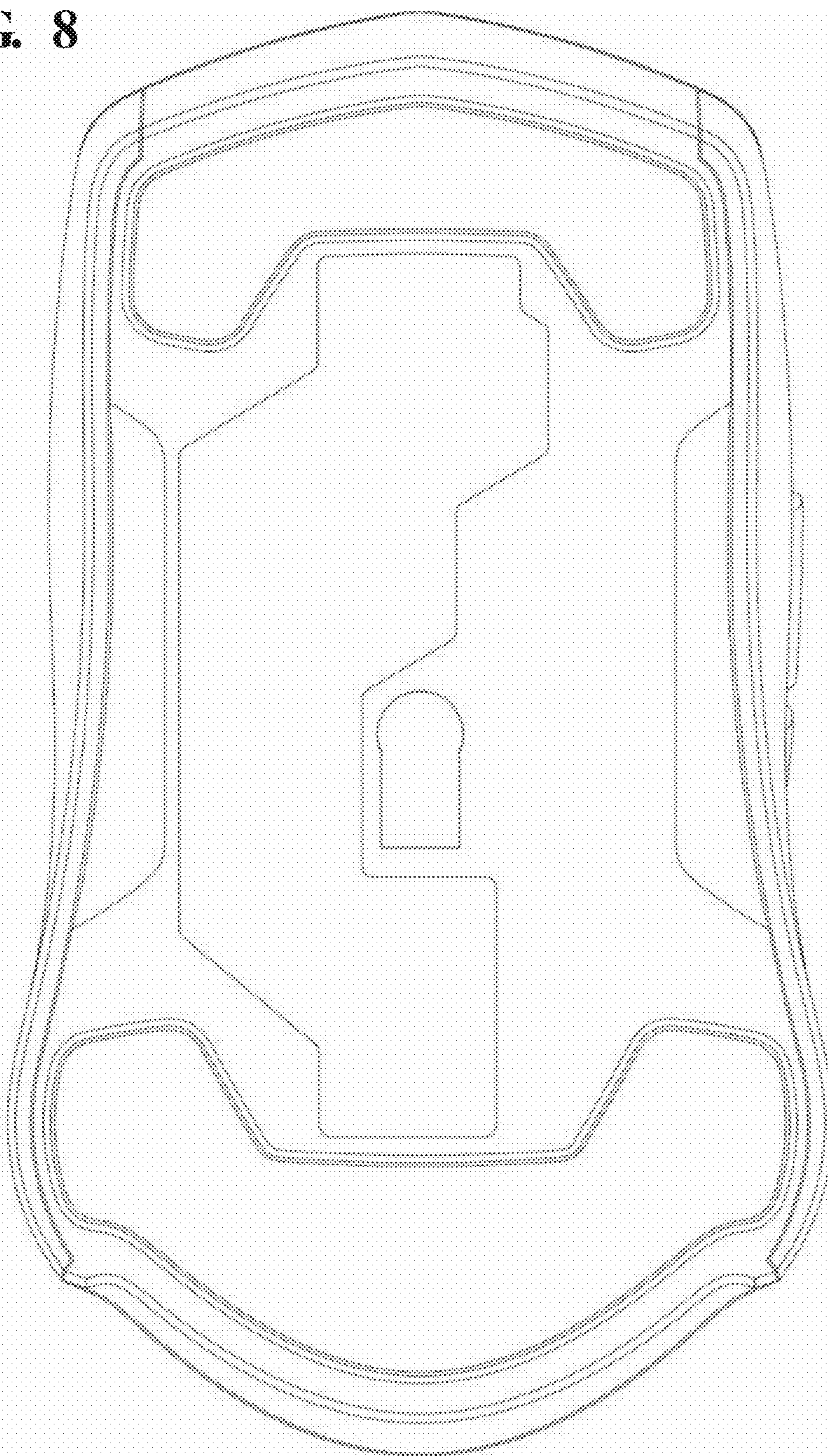


FIG. 9

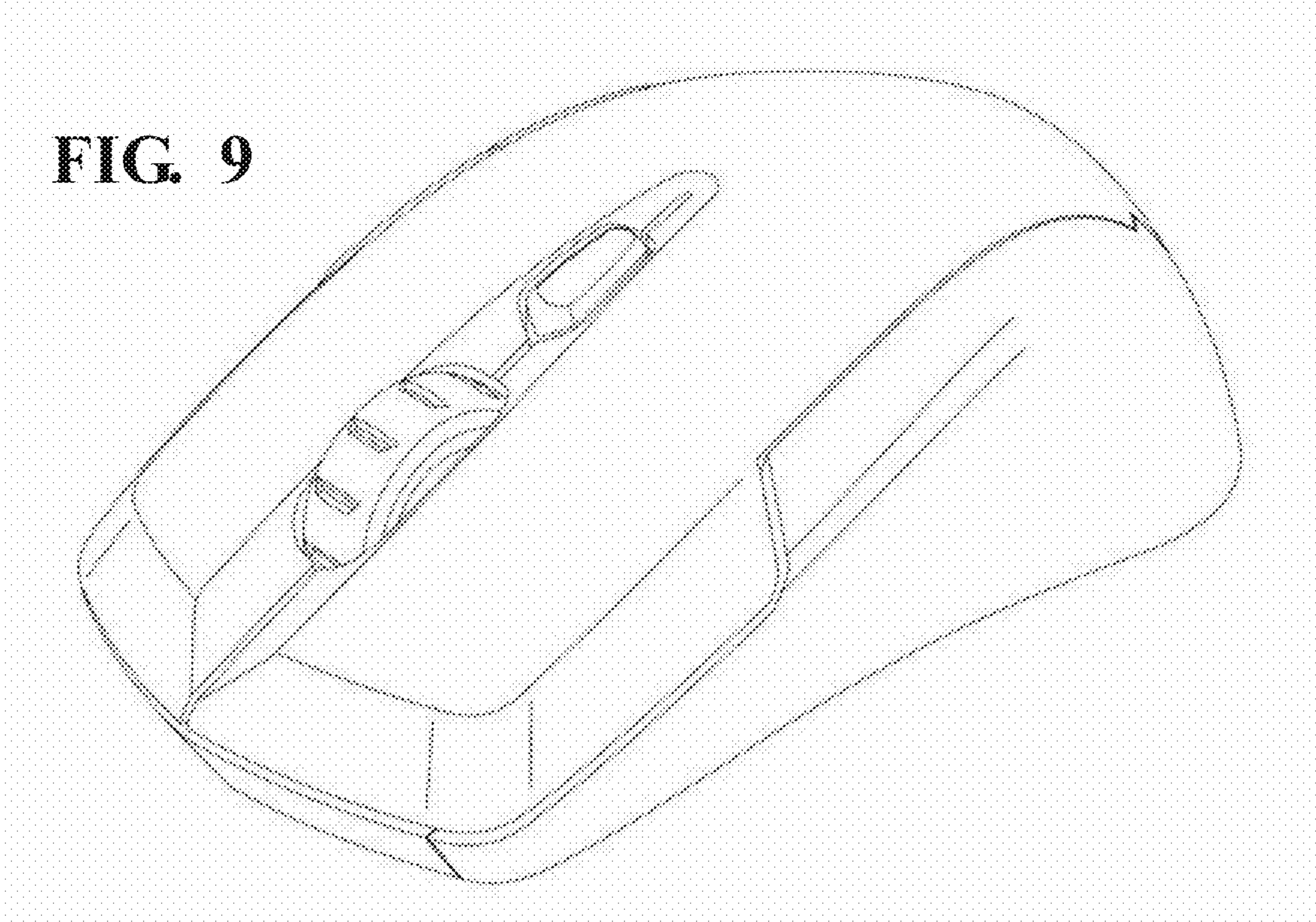
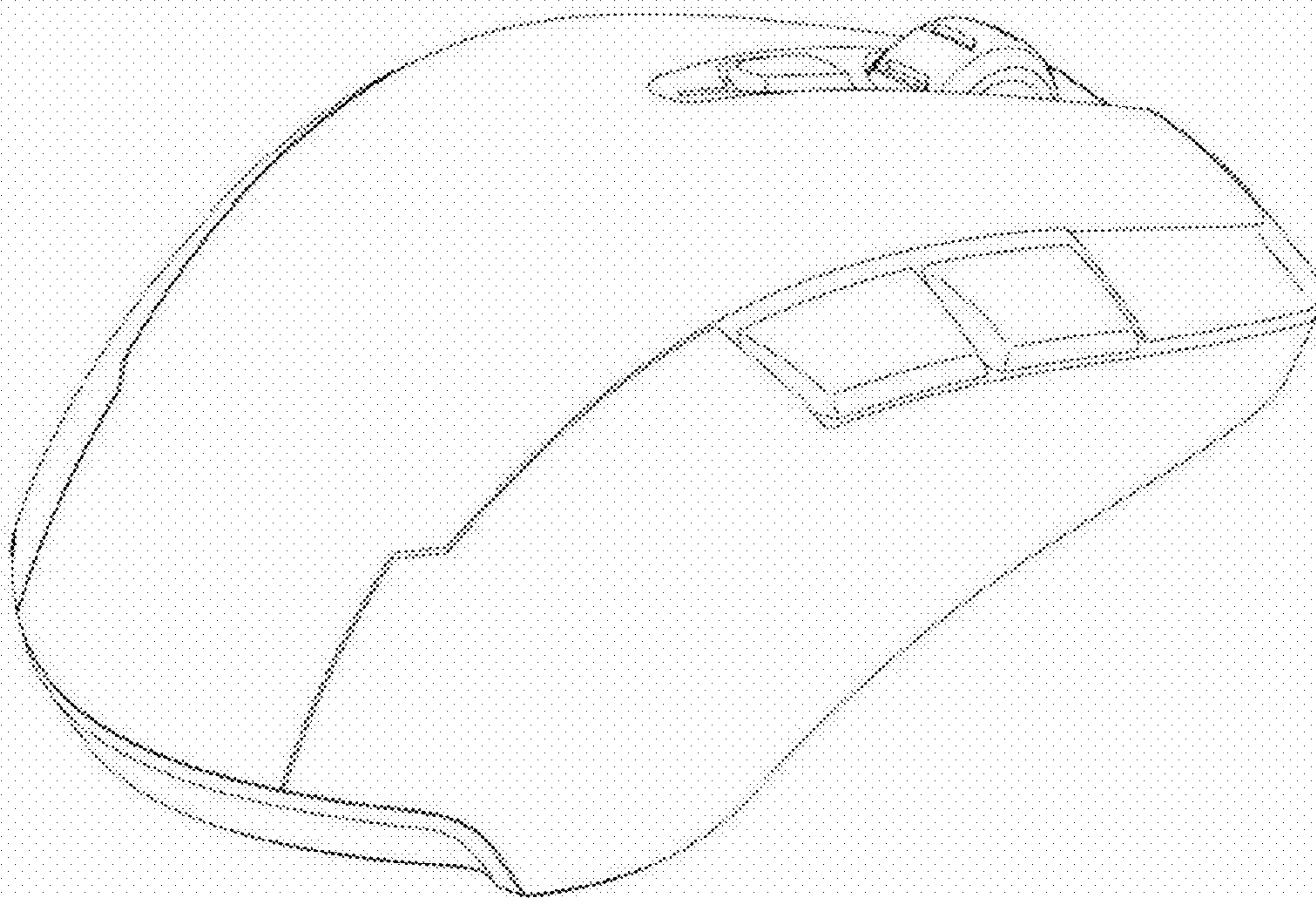


FIG. 10



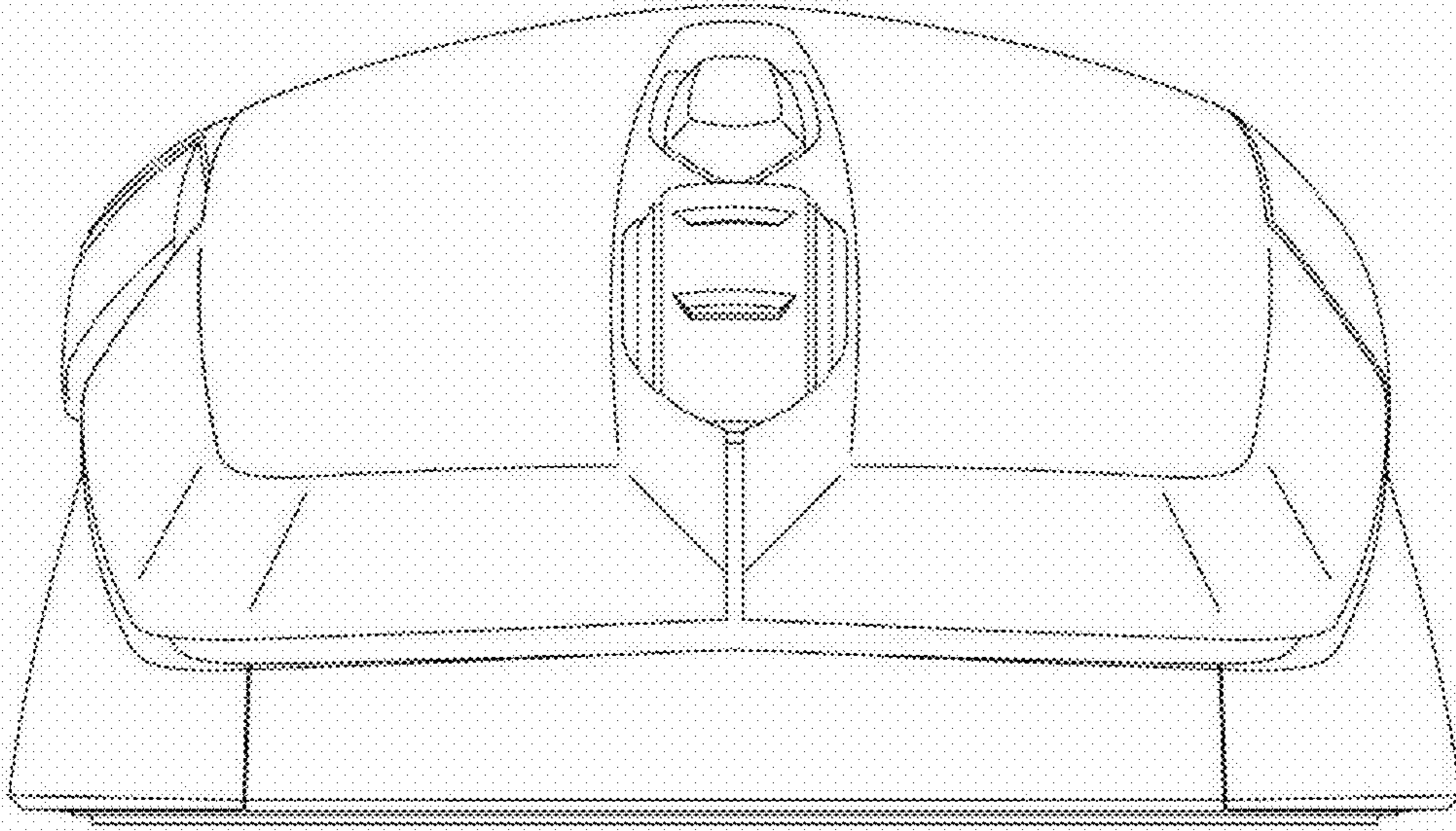


FIG. 11

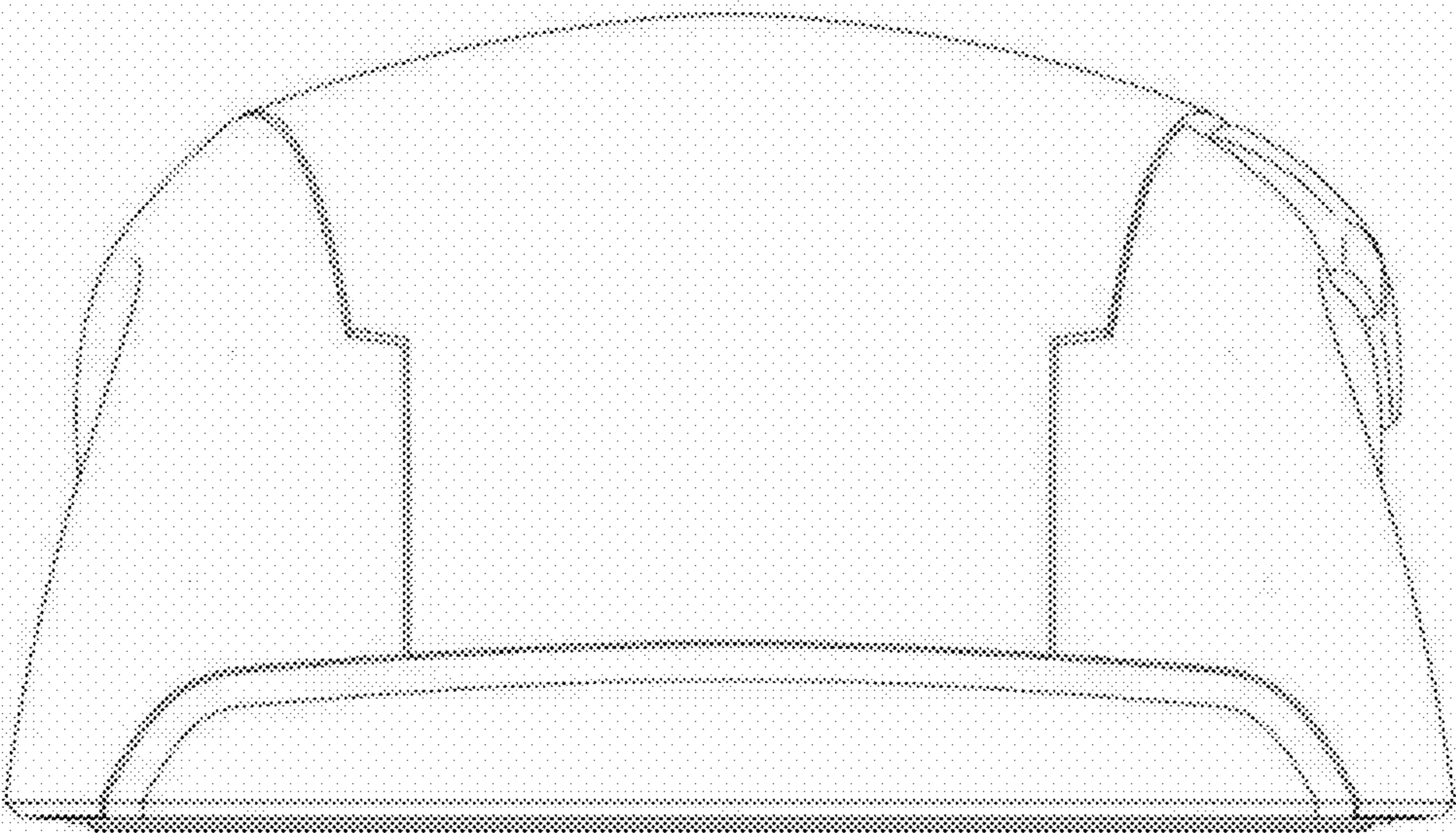


FIG. 12

FIG. 13

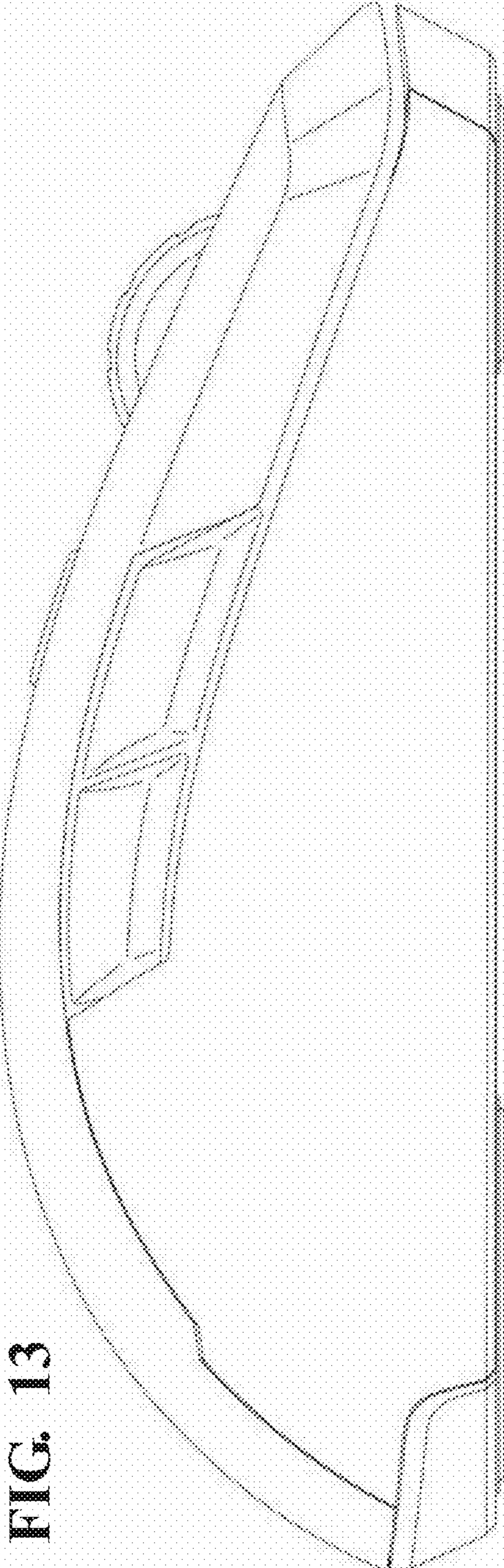


FIG. 14

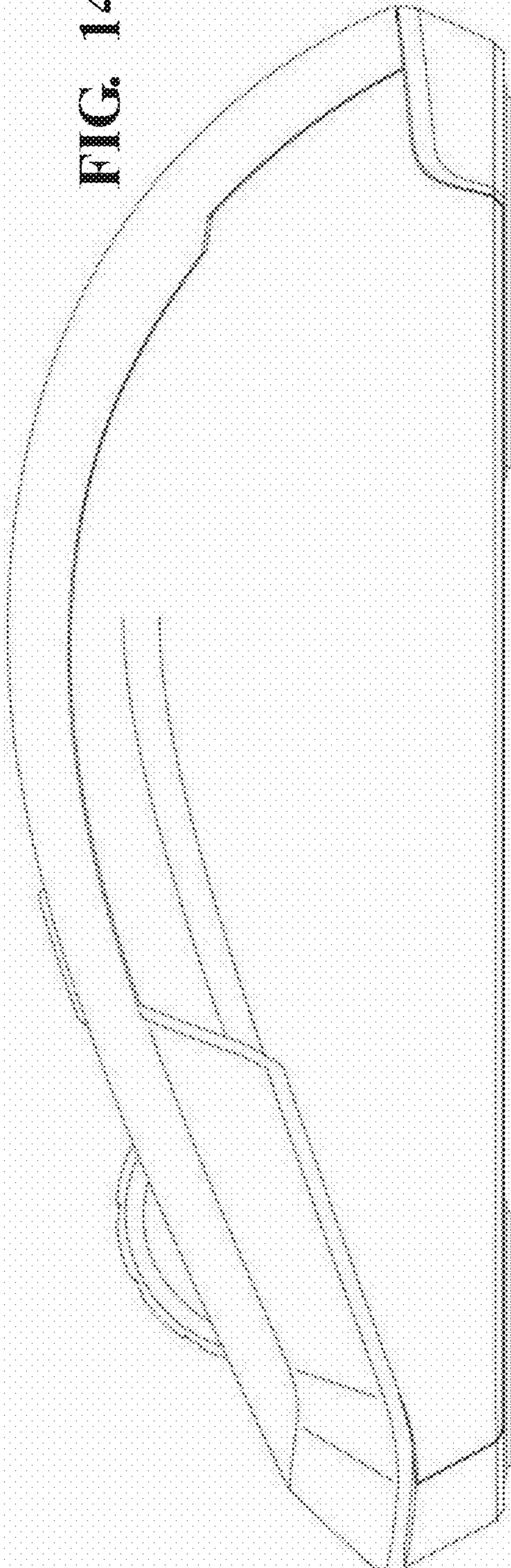


FIG. 15

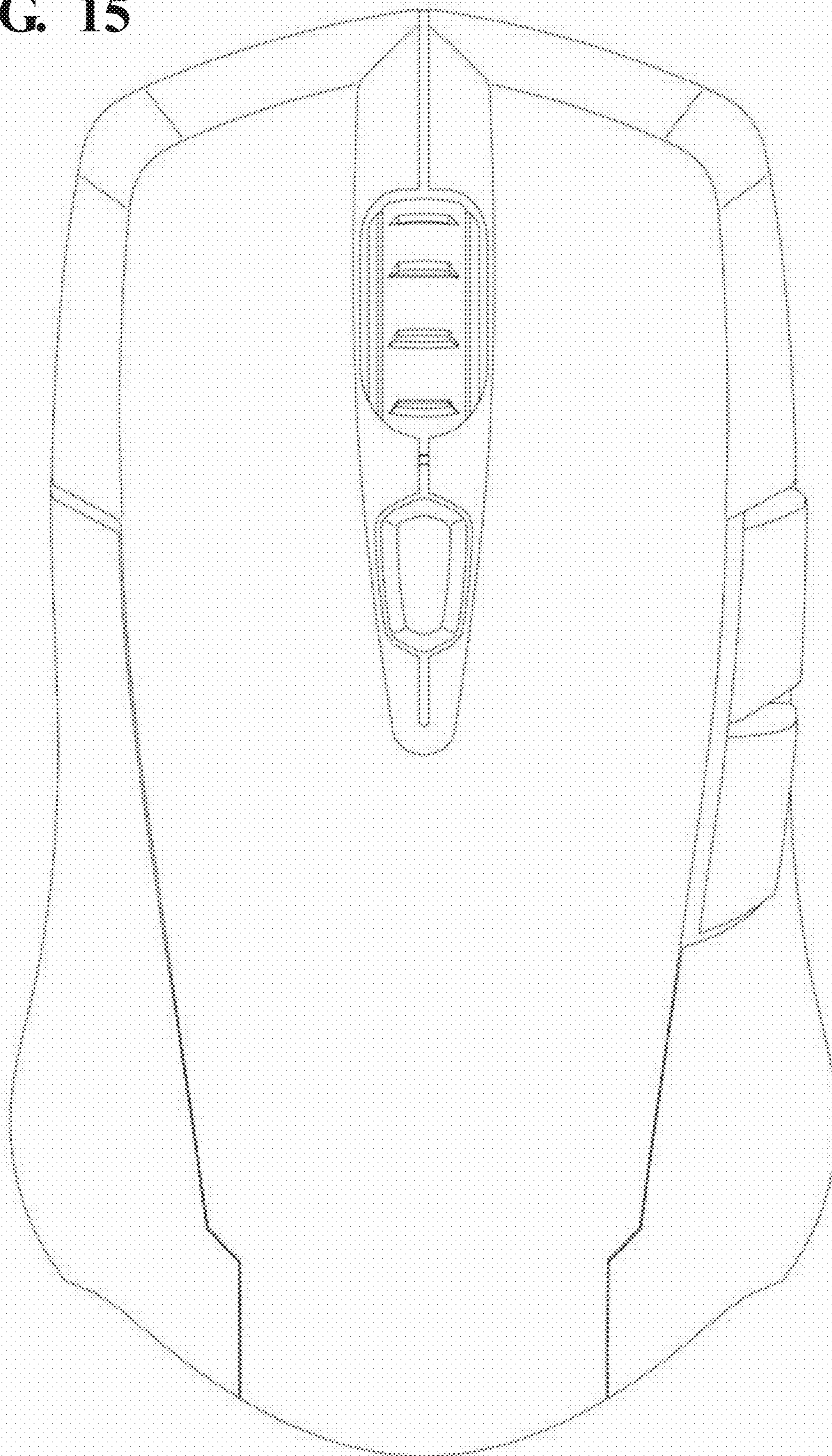


FIG. 16

