



US00D764469S

(12) **United States Design Patent**
Kaliauer et al.

(10) **Patent No.:** **US D764,469 S**

(45) **Date of Patent:** **** Aug. 23, 2016**

(54) **KEYPAD**

(71) Applicant: **Wacker Neuson Beteiligungs GmbH,**
Hoersching (AT)

(72) Inventors: **Bernhard Kaliauer,** Hoersching (AT);
Gerald Krenn, Hoersching (AT)

(73) Assignee: **Wacker Neuson Beteiligungs GmbH,**
Hoersching (AT)

(**) Term: **14 Years**

(21) Appl. No.: **29/511,521**

(22) Filed: **Dec. 11, 2014**

(51) **LOC (10) Cl.** **D14/399; D13/164**

(52) **U.S. Cl.**

USPC **D14/399; D13/164**

(58) **Field of Classification Search**

USPC D14/399, 320, 331, 333, 338, 346, 387,
D14/388-390, 455, 456, 150, 218, 247;
D18/6, 7, 8, 12, 12.1, 12.2, 24, 29;
D19/6, 9, 10; D20/11; D21/324-333,
D21/517, 512; D99/43, 99; D13/123, 162,
D13/162.1, 168

CPC ... G06F 15/02; G06F 15/0216; G06F 15/025;
G06F 15/0225; G06F 15/0258; G06F 1/1671;
G06F 1/02; G06F 7/544; G06F 7/60; G06F
3/04883; G06F 3/04812; G09B 19/025;
H01H 13/705; H01H 13/76; H01H 13/83;
H01H 9/18

See application file for complete search history.

(56) **References Cited**

U.S. PATENT DOCUMENTS

3,848,723 A * 11/1974 Hogue B41J 5/12
400/490
D580,940 S * 11/2008 Dabov D14/455
7,538,285 B2 * 5/2009 Patel H01H 13/705
200/314

D631,849 S * 2/2011 Jacoby D13/168
D631,854 S * 2/2011 Blair D13/168
D638,805 S * 5/2011 Clymer D13/168
D665,383 S * 8/2012 McManigal D14/218
D679,261 S * 4/2013 McDonald D13/168
D680,084 S * 4/2013 McDonald D13/168
D682,795 S * 5/2013 McDonald D13/168
D712,381 S * 9/2014 Hwang D14/218
D733,076 S * 6/2015 Jacoby D13/164
D754,617 S * 4/2016 Altonen D13/168

OTHER PUBLICATIONS

Electronic input devices (part of -) EU 002591420-0002. (Design -© Questel). orbit.com [online PDF] 3 pages. registered Jan. 22, 2015 [retrieved on May 1, 2016]. Retrieved from Internet: https://sobjprd. questel.fr/export/QPTUJ214/pdf2/a1b0facf-9762-481c-a350-6a016f04c3b0-164942.pdf.*

* cited by examiner

Primary Examiner — Susan Bennett Hattan

Assistant Examiner — Marie Fast Horse

(74) *Attorney, Agent, or Firm* — Boyle Fredrickson, S.C.

(57) **CLAIM**

The ornamental design for a keypad, as shown and described.

DESCRIPTION

FIG. 1 is an isometric view of a keypad incorporating my new design, viewed from above, in front of, and from the right side of the keypad;

FIG. 2 is a top plan view thereof;

FIG. 3 is a bottom plan view thereof;

FIG. 4 is a left side elevation view thereof;

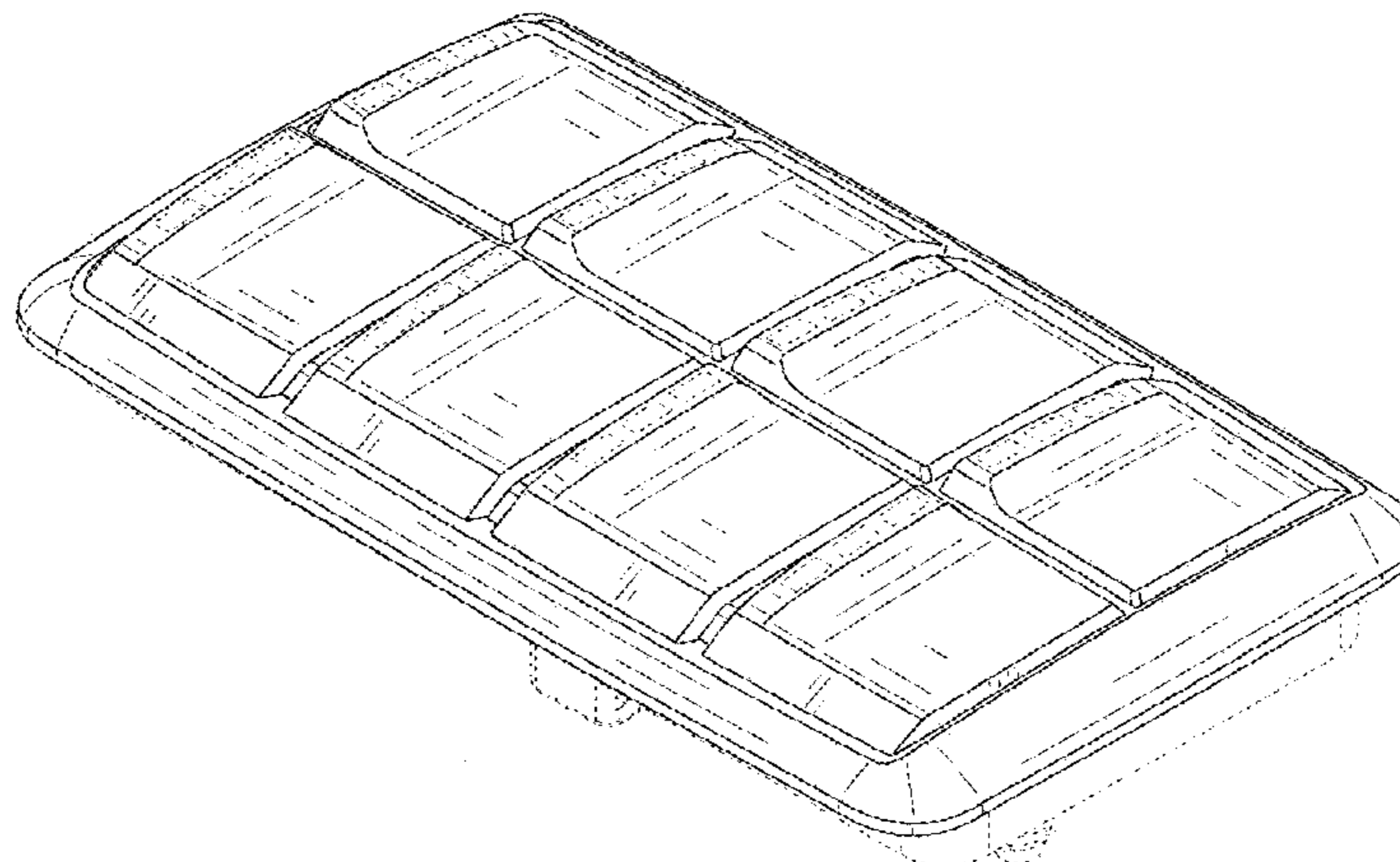
FIG. 5 is a right side elevation view thereof;

FIG. 6 is a front side elevation view thereof; and,

FIG. 7 is a rear side elevation view thereof.

The broken lines in the drawings depict parts of the keypad that form no part of the claimed design.

1 Claim, 7 Drawing Sheets



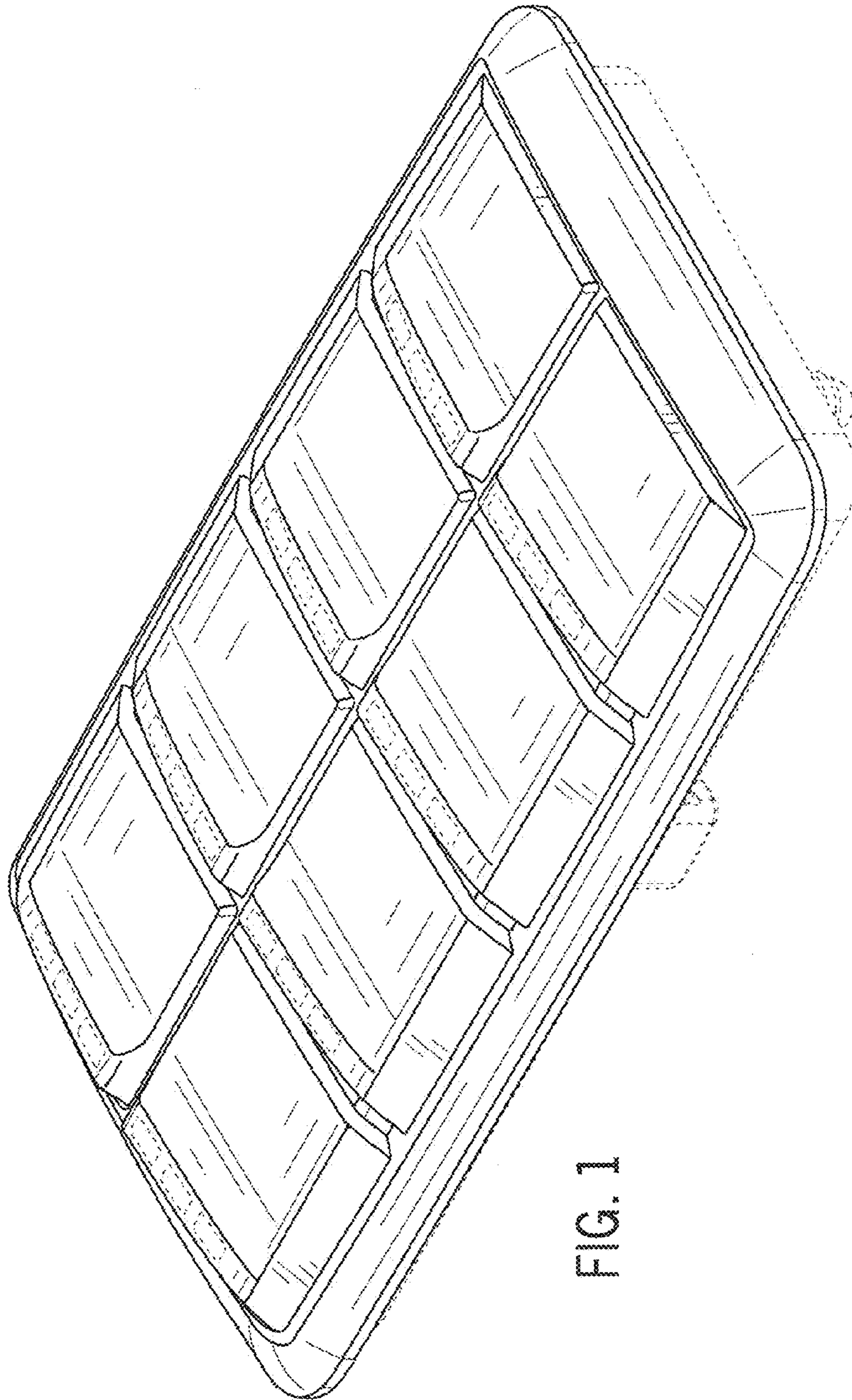


FIG. 1

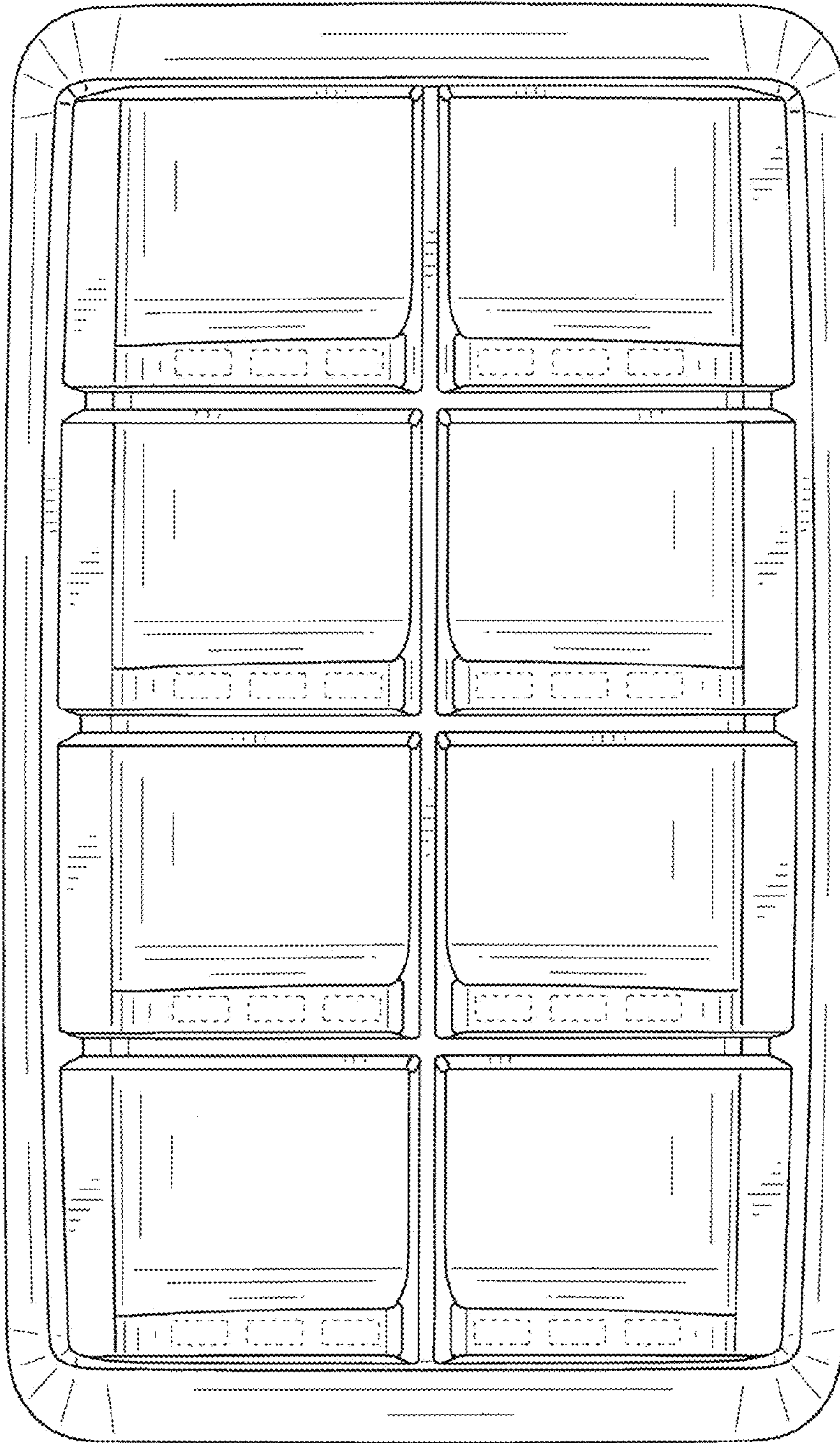


FIG. 2

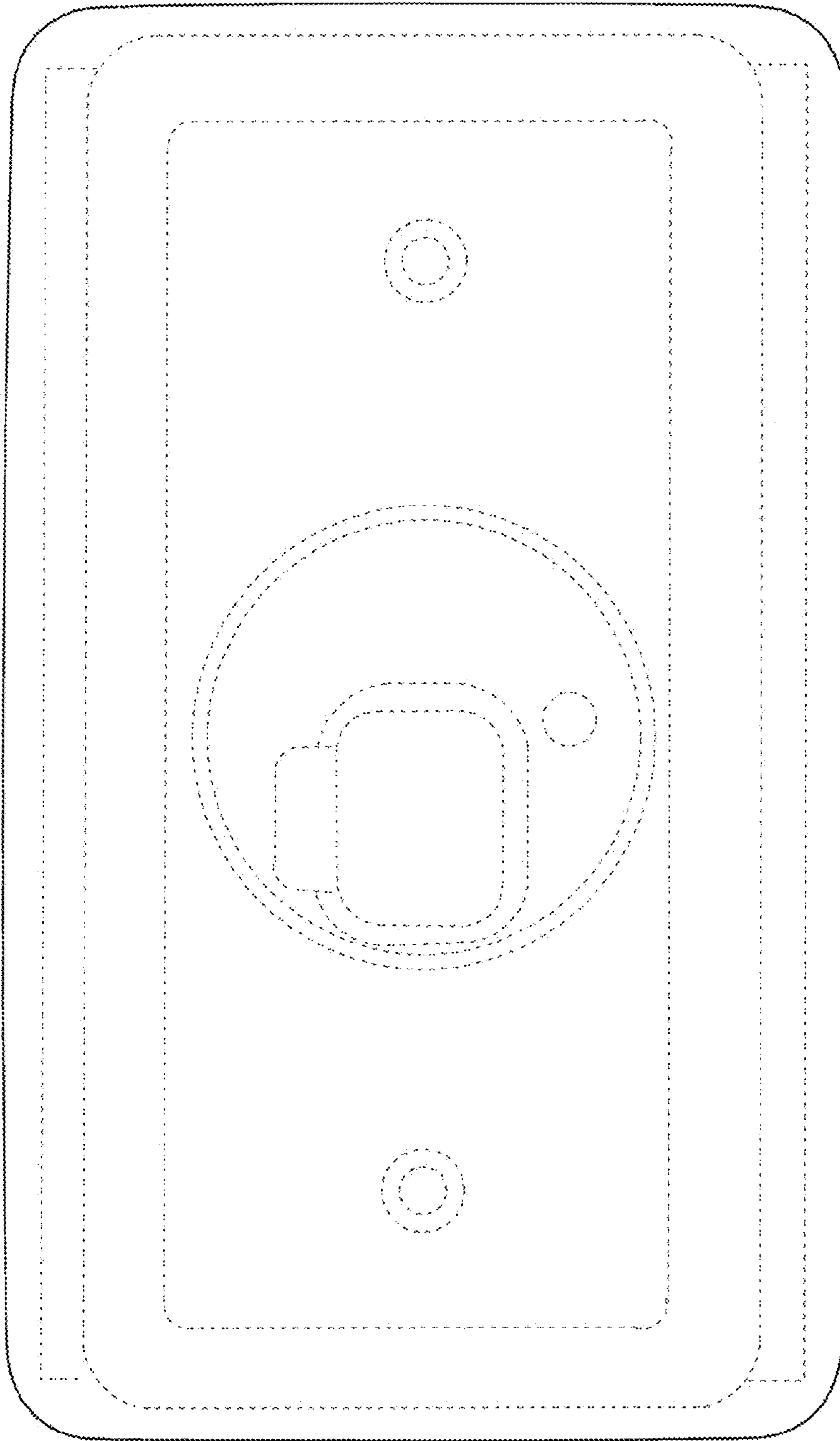


FIG. 3

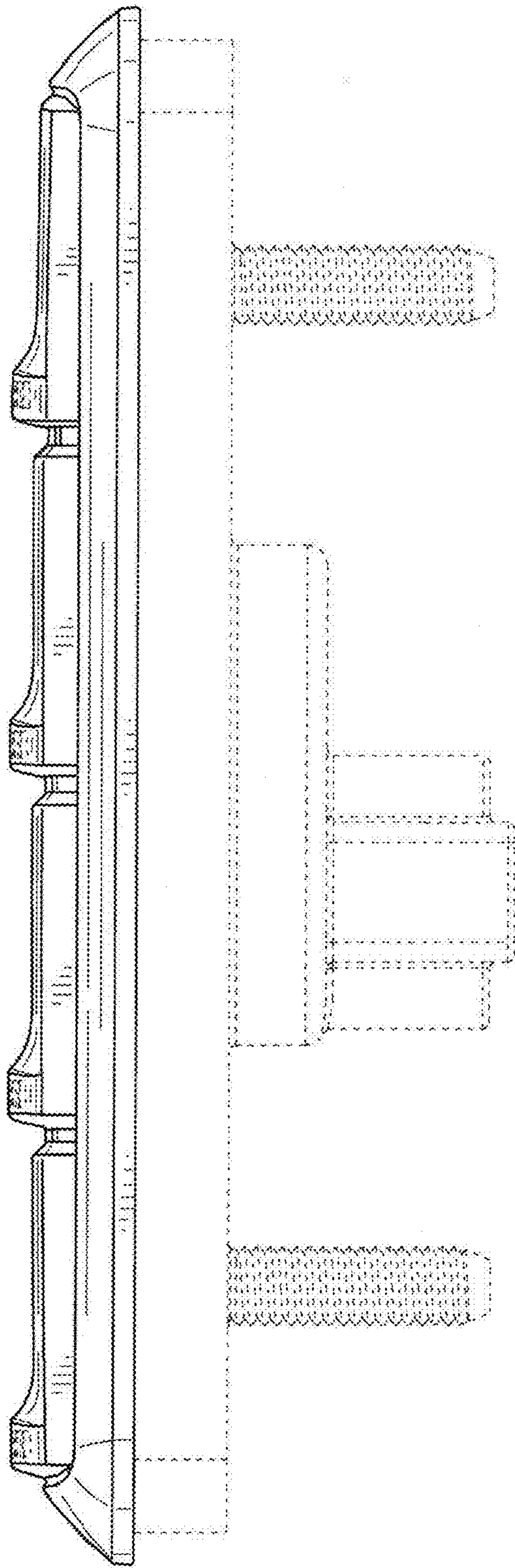


FIG. 4

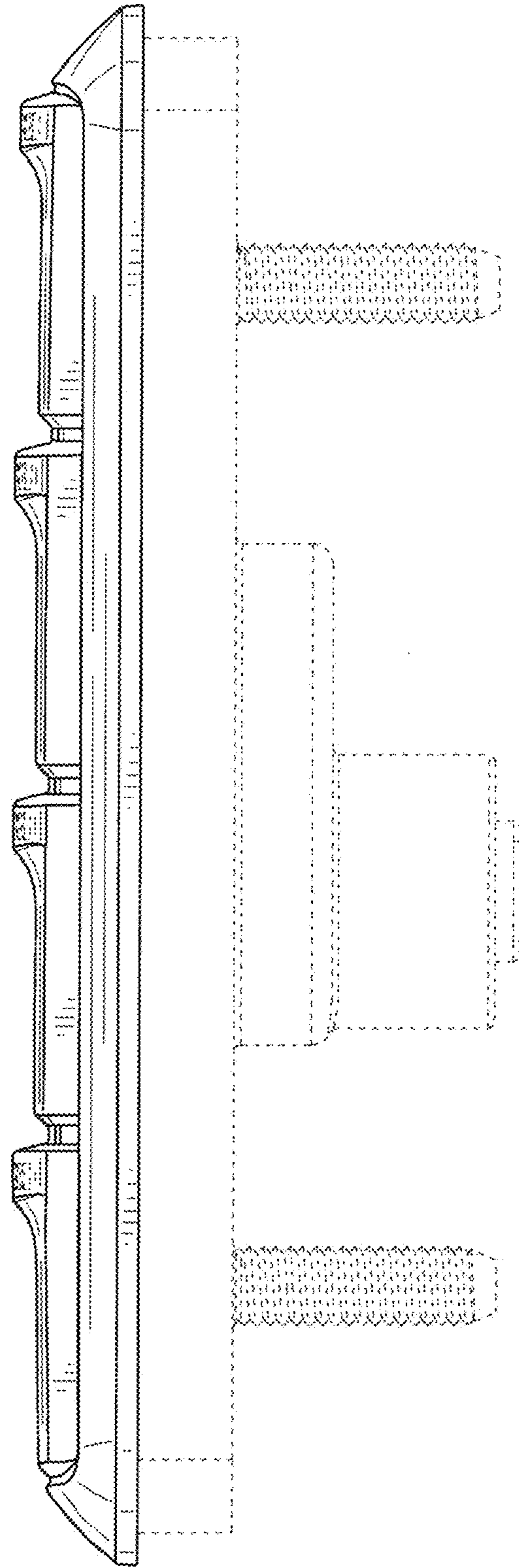


FIG. 5

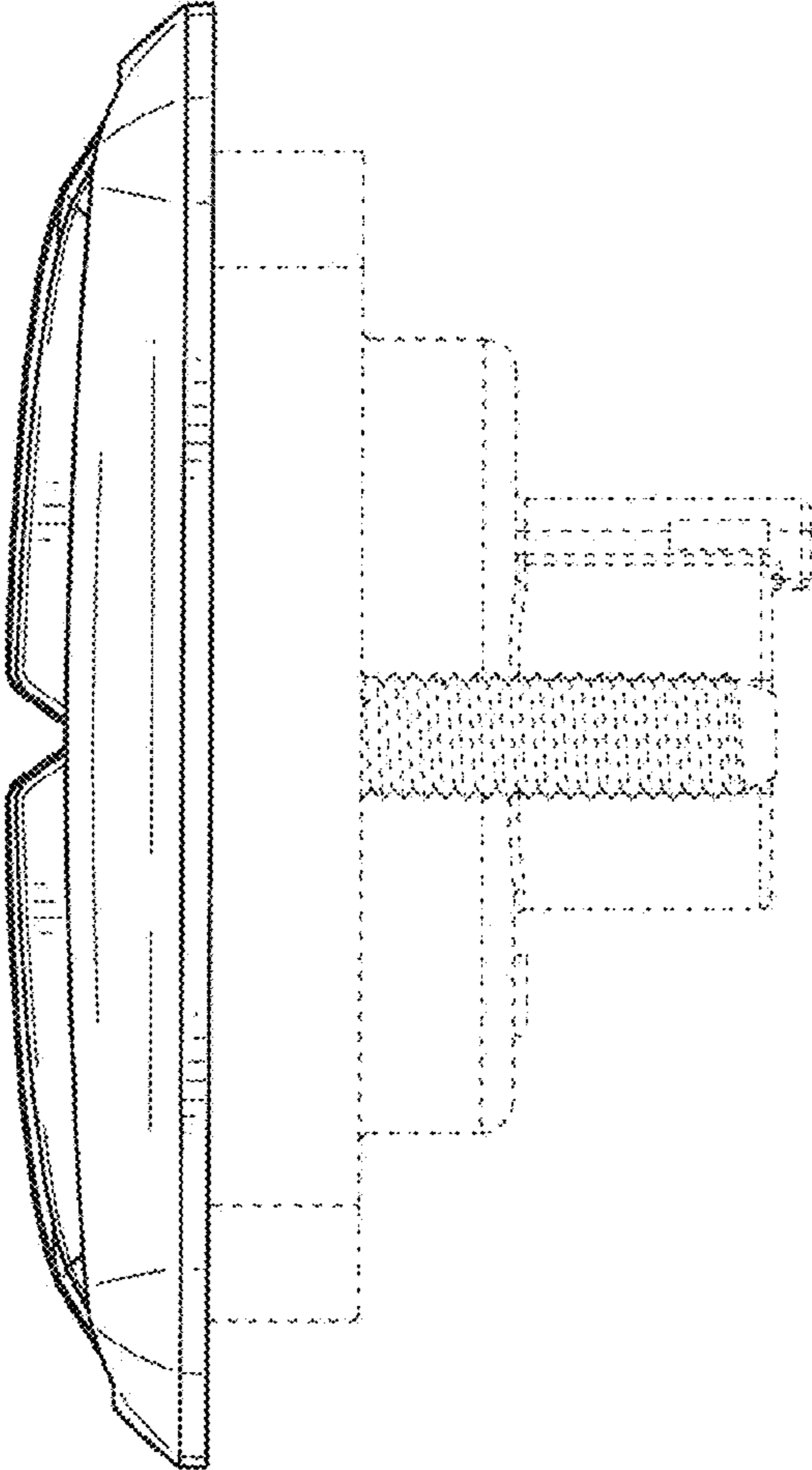


FIG. 6

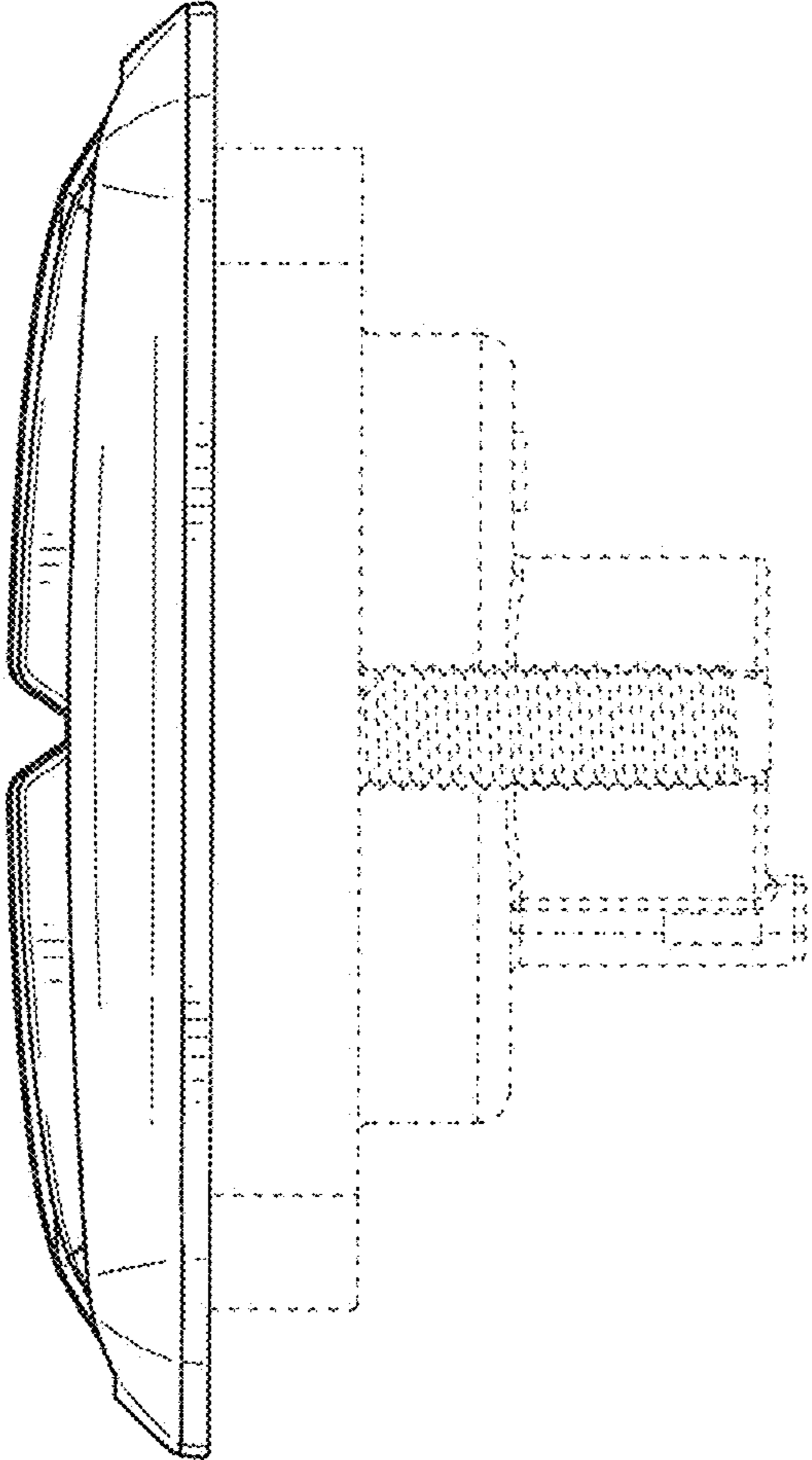


FIG. 7