

US00D764468S

(12) **United States Design Patent**
Yamamiya

(10) **Patent No.:** **US D764,468 S**

(45) **Date of Patent:** **** Aug. 23, 2016**

(54) **CARD READING AND WRITING APPARATUS**

(71) Applicant: **Asahi Seiko Kabushiki Kaisha**, Tokyo
(JP)

(72) Inventor: **Takahito Yamamiya**, Saitama (JP)

(73) Assignee: **Asahi Seiko Kabushiki Kaisha**, Tokyo
(JP)

(**) Term: **14 Years**

(21) Appl. No.: **29/511,318**

(22) Filed: **Dec. 9, 2014**

(30) **Foreign Application Priority Data**

Aug. 20, 2014 (JP) 2014-018180

(51) **LOC (10) Cl.** **14-02**

(52) **U.S. Cl.**
USPC **D14/385**

(58) **Field of Classification Search**
USPC D14/300, 356-359, 363, 384, 385, 386,
D14/387, 432, 453; D18/4.4, 4.6, 12, 50,
D18/14, 18, 56; D99/28, 33, 35, 43, 99;
235/475; 340/1.1, 10.1, 10.5, 10.51,
340/10.52
CPC ... G06K 7/084; G06K 7/0021; G06K 7/0004;
G06K 7/10237; G06K 7/10782; G06K
9/00154; G06K 13/073; G06K 13/08; G06K
13/14; G06K 13/16; G07F 19/205; G07F
19/07732

See application file for complete search history.

(56) **References Cited**

U.S. PATENT DOCUMENTS

D190,232 S * 5/1961 Wilkey, Jr. D14/358
D195,466 S * 6/1963 Elste et al. D14/359
D324,209 S * 2/1992 Tanabe D14/385
D339,807 S * 9/1993 Tattari D14/240
5,331,144 A * 7/1994 Shima G06K 13/08
235/483
D350,120 S * 8/1994 Tsuboi D14/385

5,434,404 A * 7/1995 Liu G06K 7/084
235/384
D366,031 S * 1/1996 Bradbury D14/385
D393,835 S * 4/1998 Ohki D14/385
D415,739 S * 10/1999 Yamamoto D14/356
D423,471 S * 4/2000 Minemoto D14/387
D437,851 S * 2/2001 Kojima D14/385
6,196,463 B1 * 3/2001 Ferry G06K 7/084
235/380
6,411,200 B1 * 6/2002 Kawagishi G06K 7/0008
235/380
D495,335 S * 8/2004 Masamitsu D14/384
D503,172 S * 3/2005 Izumi D14/385

(Continued)

FOREIGN PATENT DOCUMENTS

JP D1364153 6/2009

Primary Examiner — Susan Bennett Hattan

Assistant Examiner — Marie Fast Horse

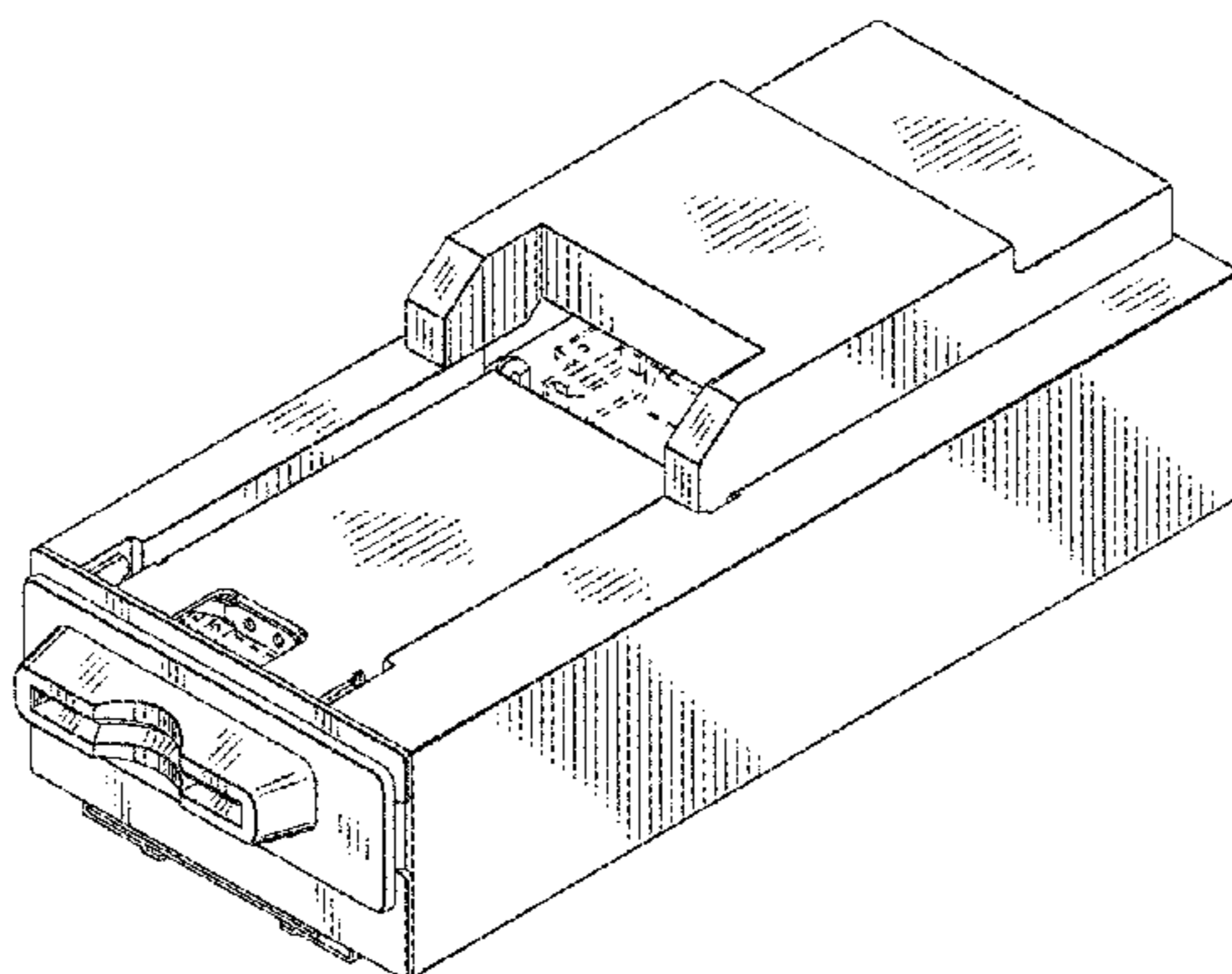
(57) **CLAIM**

I claim an ornamental design for a card reading and writing apparatus, as shown and described.

DESCRIPTION

FIG. 1 is a front perspective view of the card reading and writing apparatus of the present invention;
FIG. 2 is a front view of the card reading and writing apparatus of the present invention;
FIG. 3 represents a rear view of the card reading and writing apparatus of the present invention;
FIG. 4 represents a right side view of the card reading and writing apparatus of the present invention;
FIG. 5 represents a left side view of the card reading and writing apparatus of the present invention;
FIG. 6 represents a top view of the card reading and writing apparatus of the present invention; and,
FIG. 7 represents a bottom view of the card reading and writing apparatus of the present invention.
The broken-line disclosure in the views are understood to represent portions of the article in which the claimed design may be embodied, but which forms no part of the claimed design.

1 Claim, 7 Drawing Sheets



(56)

References Cited

U.S. PATENT DOCUMENTS

D522,511 S *	6/2006	Sekou	D14/384	2009/0130905 A1*	5/2009	Wang	G06K 7/0021 439/625
D562,818 S *	2/2008	Chen	D14/385	2011/0241287 A1*	10/2011	Nireki	G06K 13/16 271/207
D578,122 S *	10/2008	Leung	D14/385	2014/0332591 A1*	11/2014	Ishikawa	G11B 5/00808 235/449
D594,866 S *	6/2009	Lin	D14/385	2015/0193641 A1*	7/2015	Ishikawa	G06K 7/0004 235/440
2009/0032594 A1*	2/2009	Hazel	G06K 7/10881 235/454				

* cited by examiner

FIG. 1

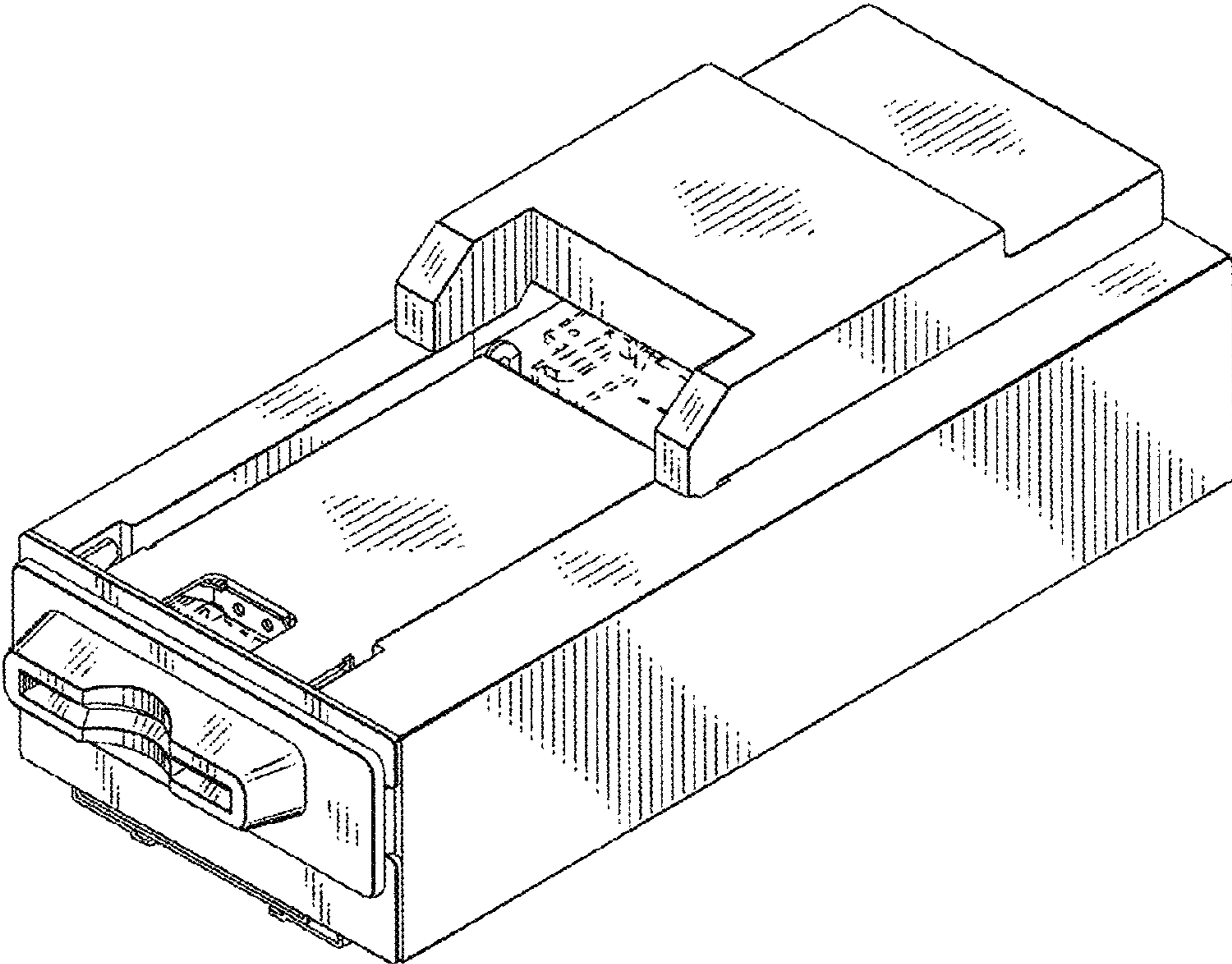


FIG. 2

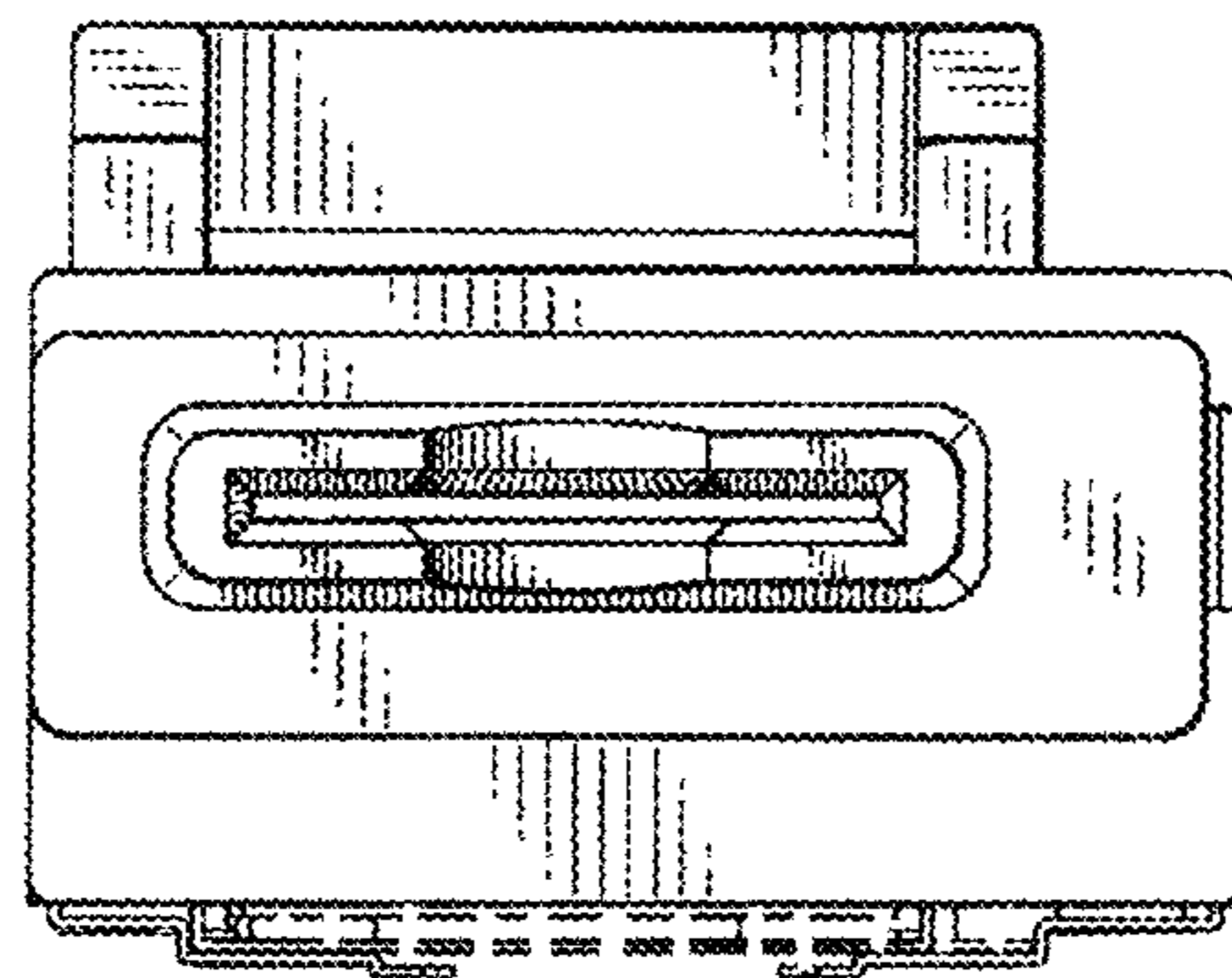


FIG. 3

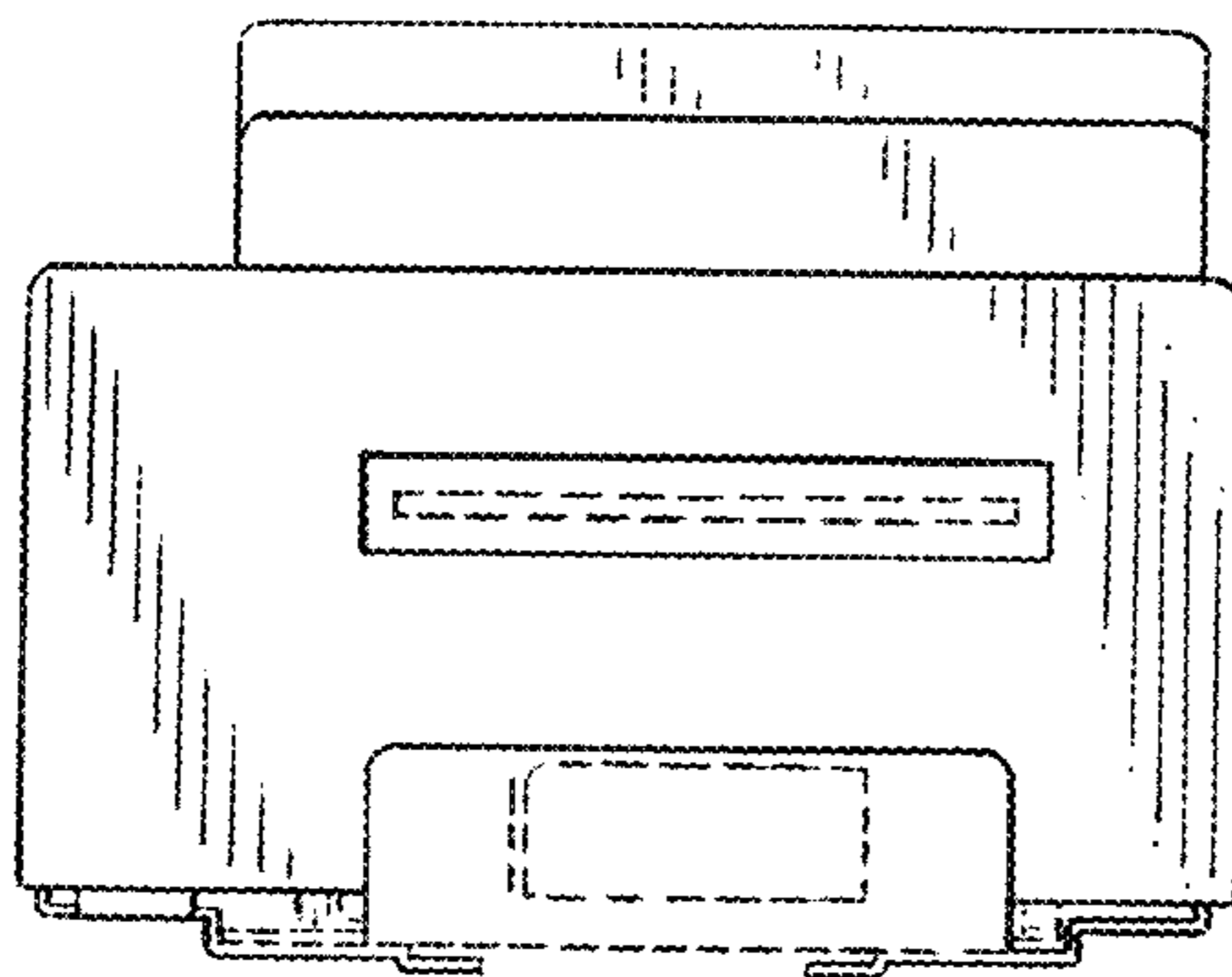


FIG. 4

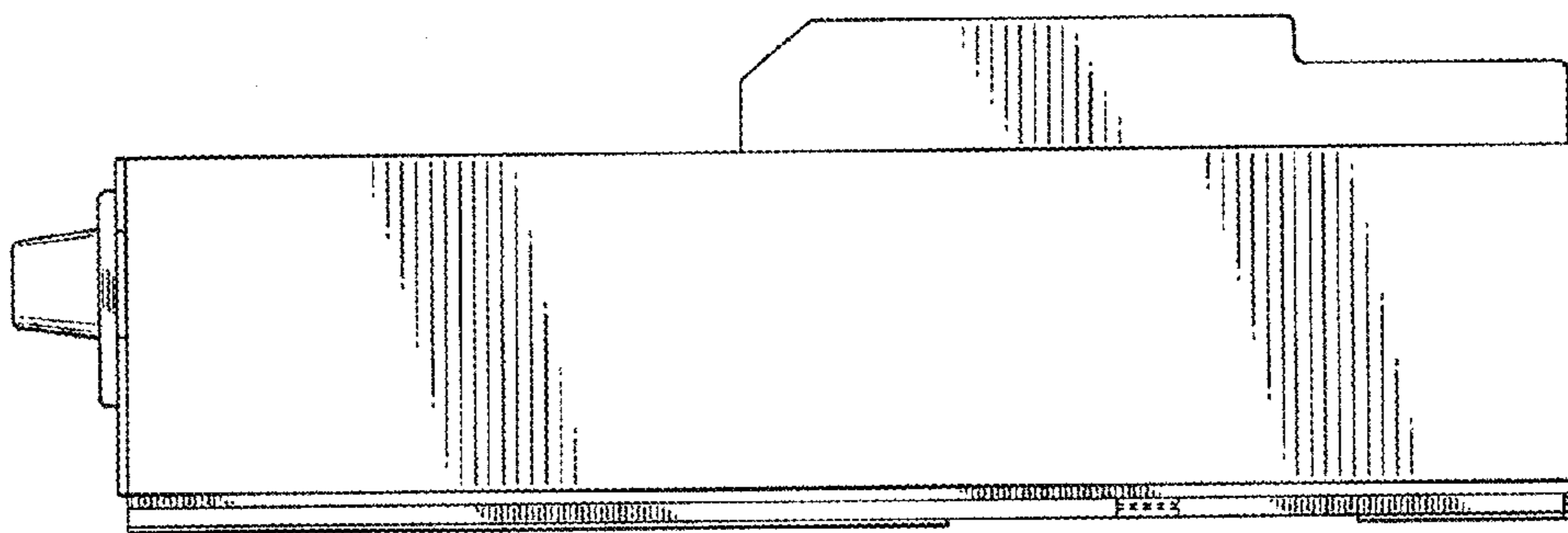


FIG. 5

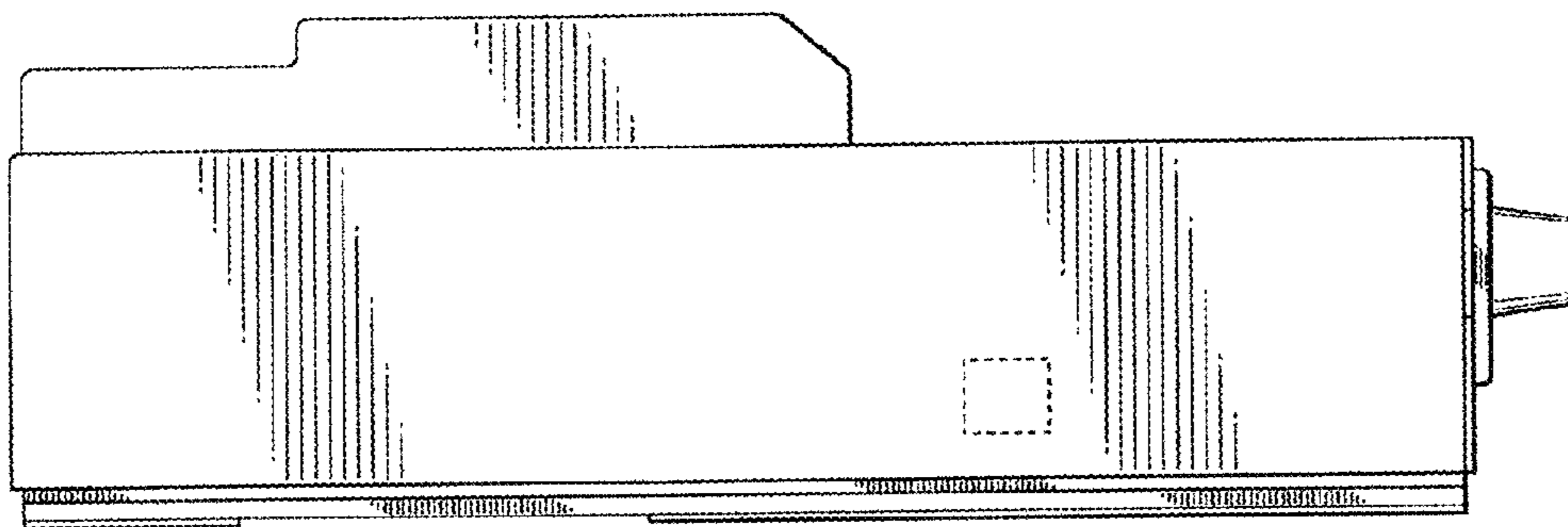


FIG. 6

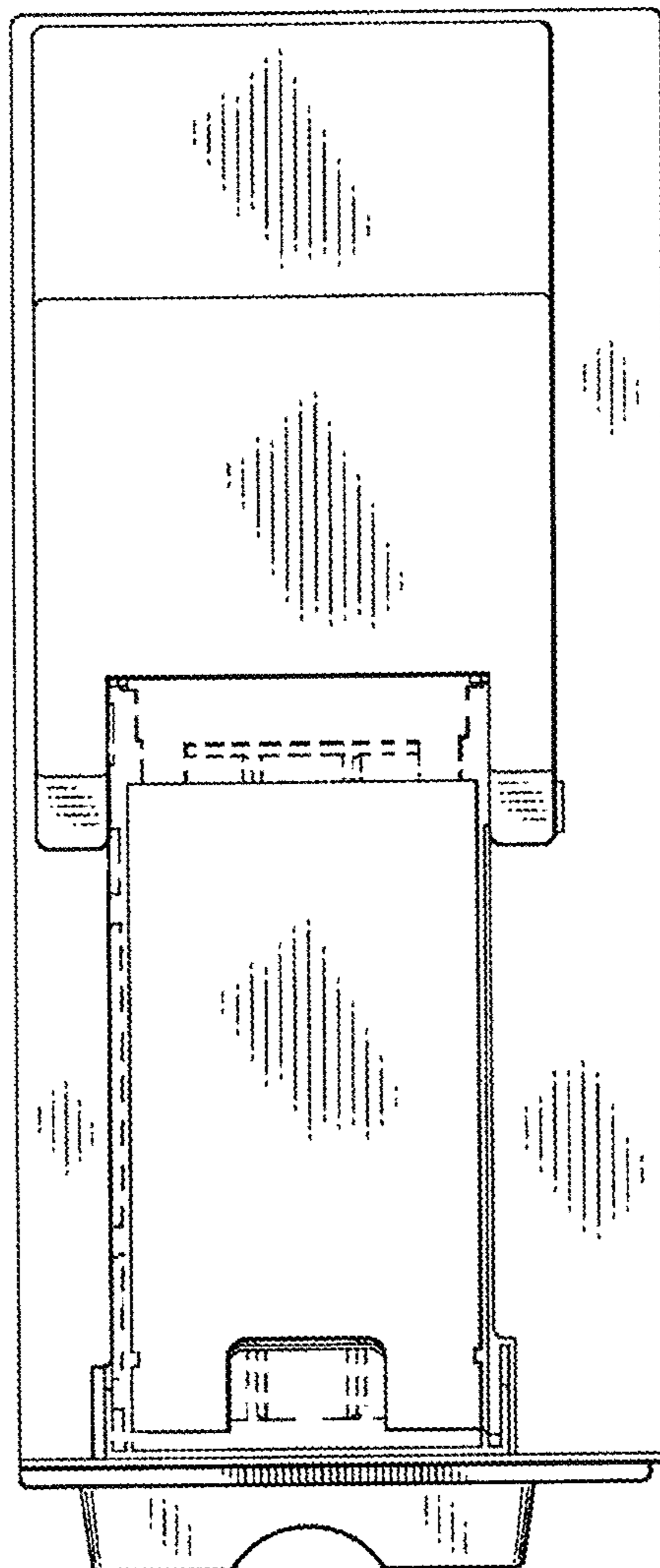


FIG. 7

