



US00D764467S

(12) **United States Design Patent**
Nokuo

(10) **Patent No.:** **US D764,467 S**

(45) **Date of Patent:** **** Aug. 23, 2016**

(54) **HEAD-MOUNTED DISPLAY**

(71) Applicant: **SONY COMPUTER ENTERTAINMENT INC.**, Tokyo (JP)

(72) Inventor: **Taichi Nokuo**, Tokyo (JP)

(73) Assignee: **SONY COMPUTER ENTERTAINMENT INC.**, Tokyo (JP)

(**) Term: **15 Years**

(21) Appl. No.: **29/537,437**

(22) Filed: **Aug. 26, 2015**

(30) **Foreign Application Priority Data**

Feb. 27, 2015 (JP) 2015-004105

(51) **LOC (10) Cl.** **14-02**

(52) **U.S. Cl.**
USPC **D14/372**

(58) **Field of Classification Search**

USPC D14/372, 496, 432, 371, 125, 126, 129,
D14/299; D16/300-342; 351/158, 153, 144;
345/7-9, 905; 455/344; 348/115, 53,
348/121, 739
CPC G02B 27/017; G02B 27/0158; G02B
27/0161; G02B 27/0181; G02B 27/0185;
G02B 27/0189

See application file for complete search history.

(56) **References Cited**

U.S. PATENT DOCUMENTS

D719,953 S * 12/2014 Nokuo D14/372
D727,896 S * 4/2015 Laluque D14/372
D732,028 S * 6/2015 Kim D14/372
D739,855 S * 9/2015 Bosveld D14/372
D740,810 S * 10/2015 Bosveld D14/372
D740,815 S * 10/2015 Bosveld D14/372
D741,324 S * 10/2015 Bosveld D14/372
D741,325 S * 10/2015 Bosveld D14/372

D741,327 S * 10/2015 Reznik D14/372
D741,858 S * 10/2015 Bosveld D14/372
D749,580 S * 2/2016 Kim D14/372
D751,072 S * 3/2016 Lyons D14/372
D752,680 S * 3/2016 Kim D14/372

FOREIGN PATENT DOCUMENTS

RU 94616 S 8/2015

OTHER PUBLICATIONS

Kazakhstan Office Action dated Feb. 4, 2016; Appln. No. 20150018.4.

* cited by examiner

Primary Examiner — Austin Murphy

(74) *Attorney, Agent, or Firm* — Young & Thompson

(57) **CLAIM**

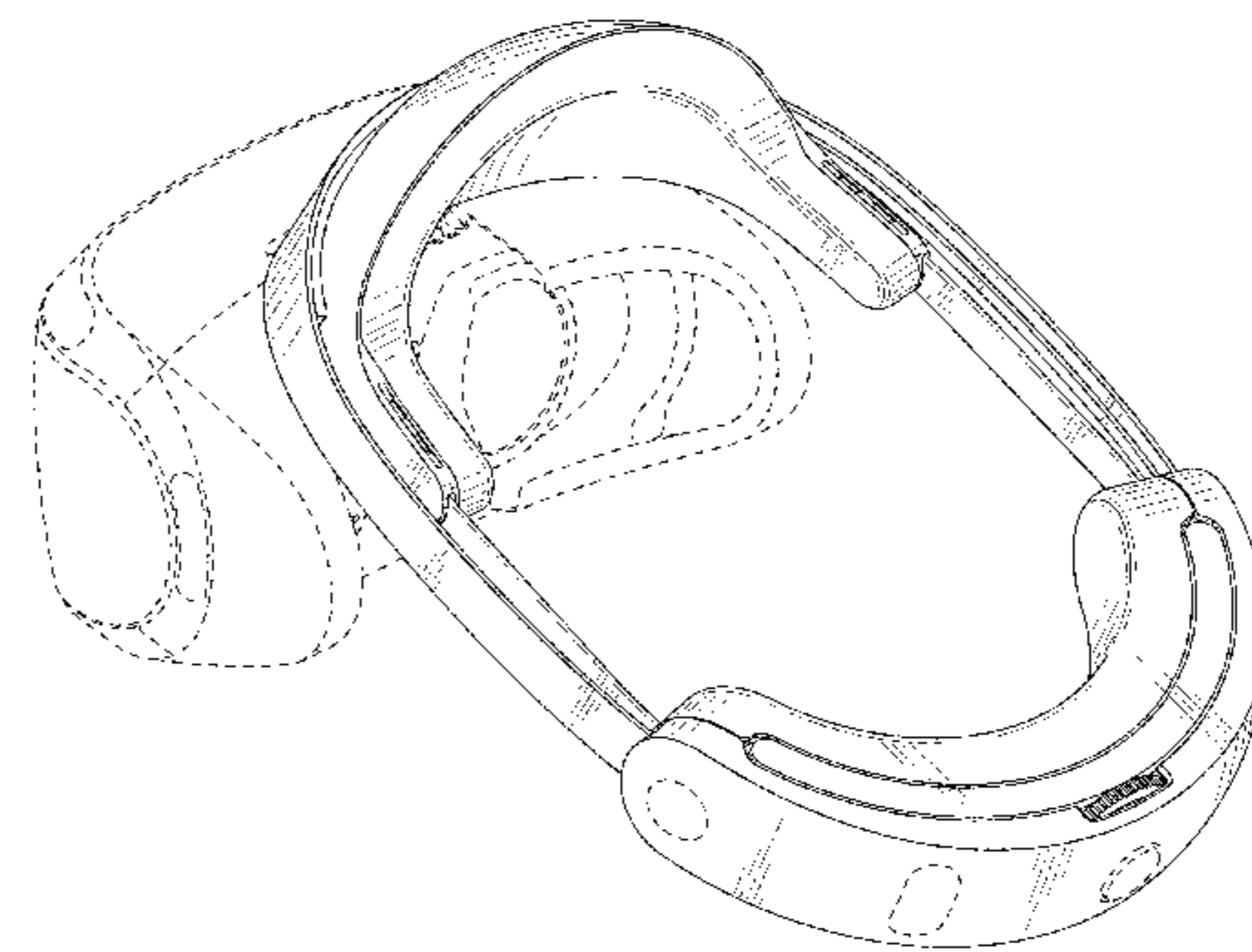
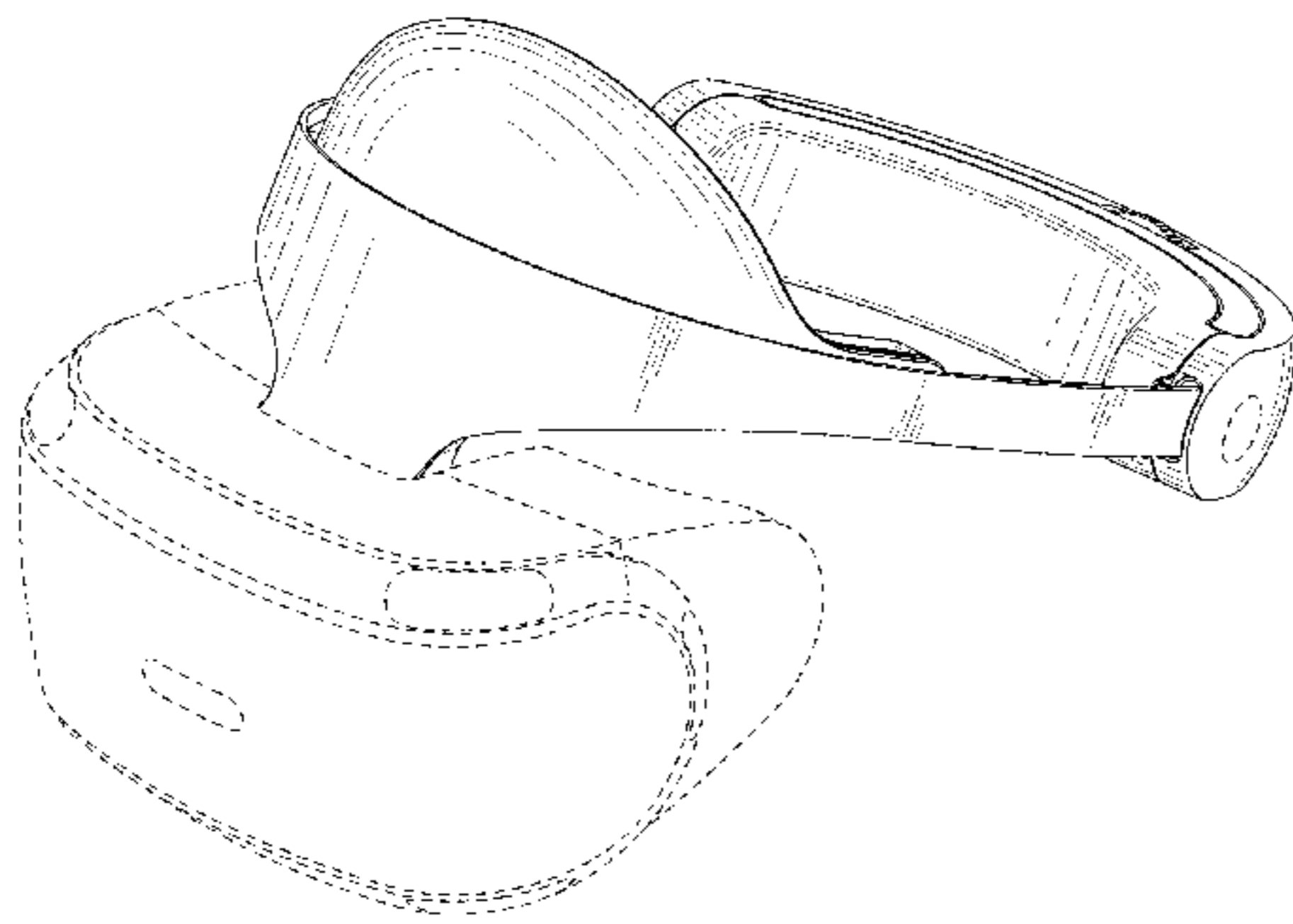
The ornamental design for a head-mounted display, as shown and described.

DESCRIPTION

FIG. 1 is a perspective view of front, top and right side of a head-mounted display showing my new design;
FIG. 2 is a perspective view of rear, top and right side thereof;
FIG. 3 is a perspective view of front, bottom and left side thereof;
FIG. 4 is a perspective view of rear, bottom and left side thereof;
FIG. 5 is a front view thereof;
FIG. 6 is a rear view thereof;
FIG. 7 is a left side view thereof;
FIG. 8 is a right side view thereof;
FIG. 9 is a top view thereof; and,
FIG. 10 is a bottom view thereof.

The broken lines shown are included for the purpose of illustrating the unclaimed portions of the head-mounted display and form no part of the claimed design.

1 Claim, 10 Drawing Sheets



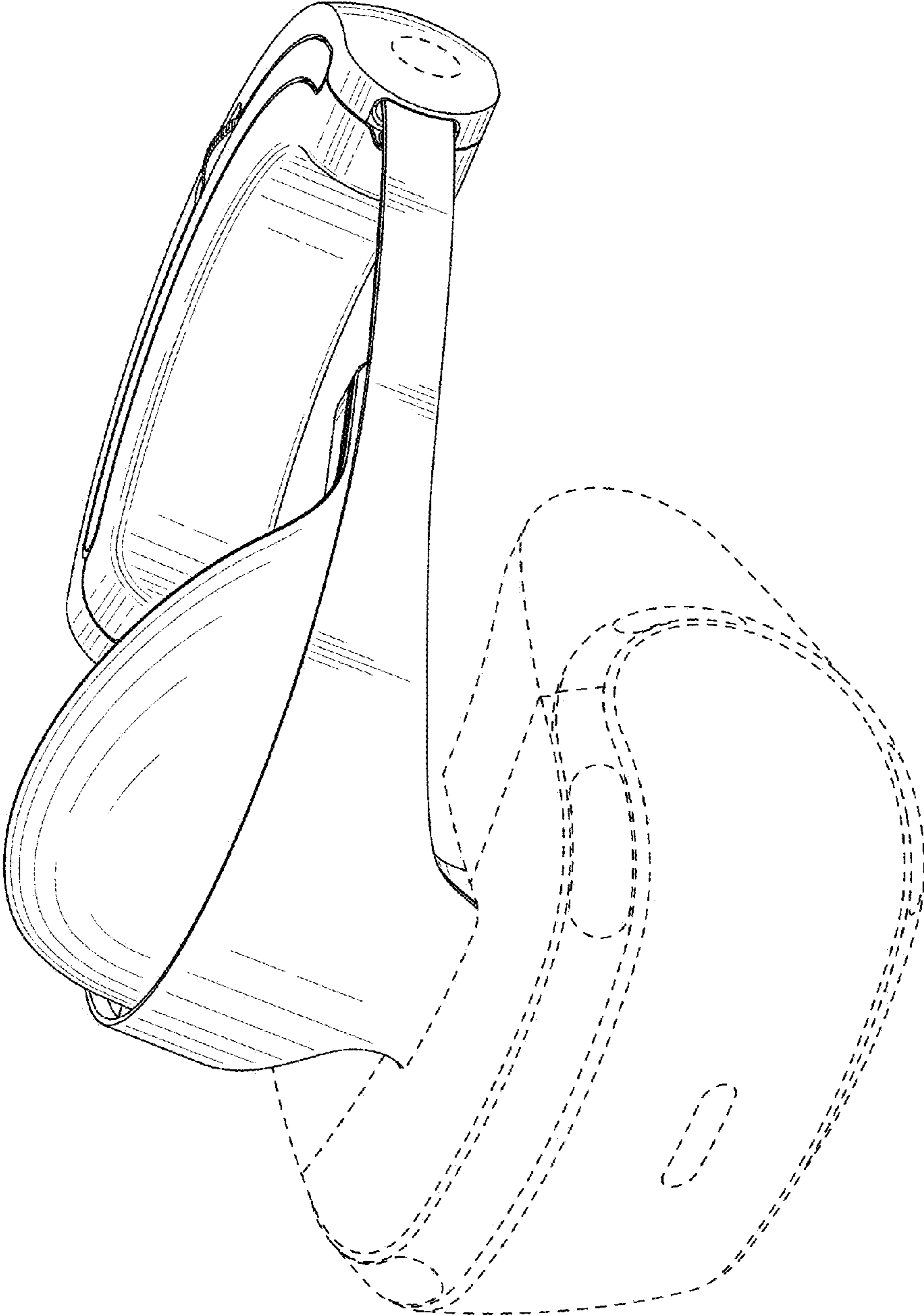


FIG. 1

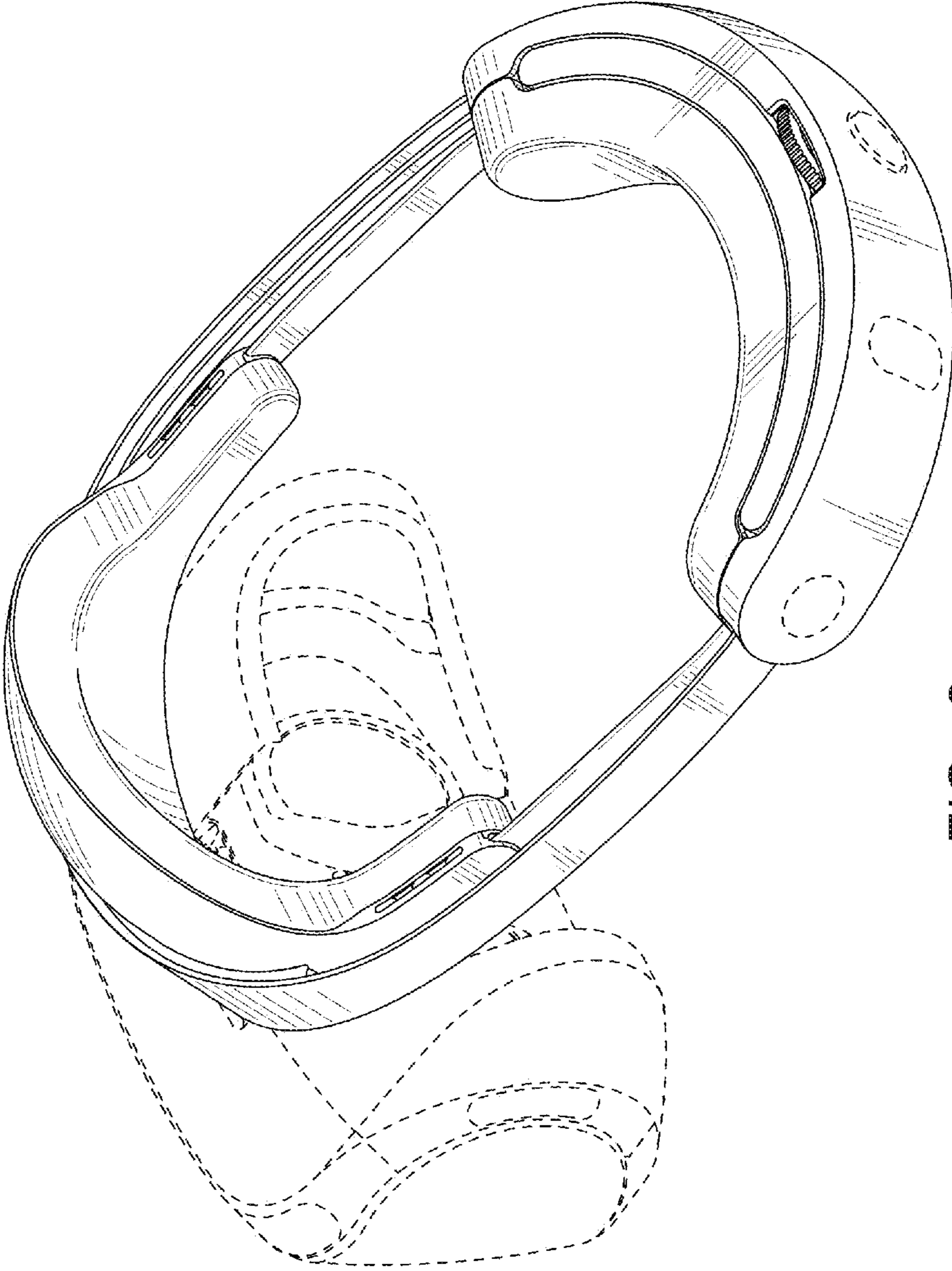


FIG. 2

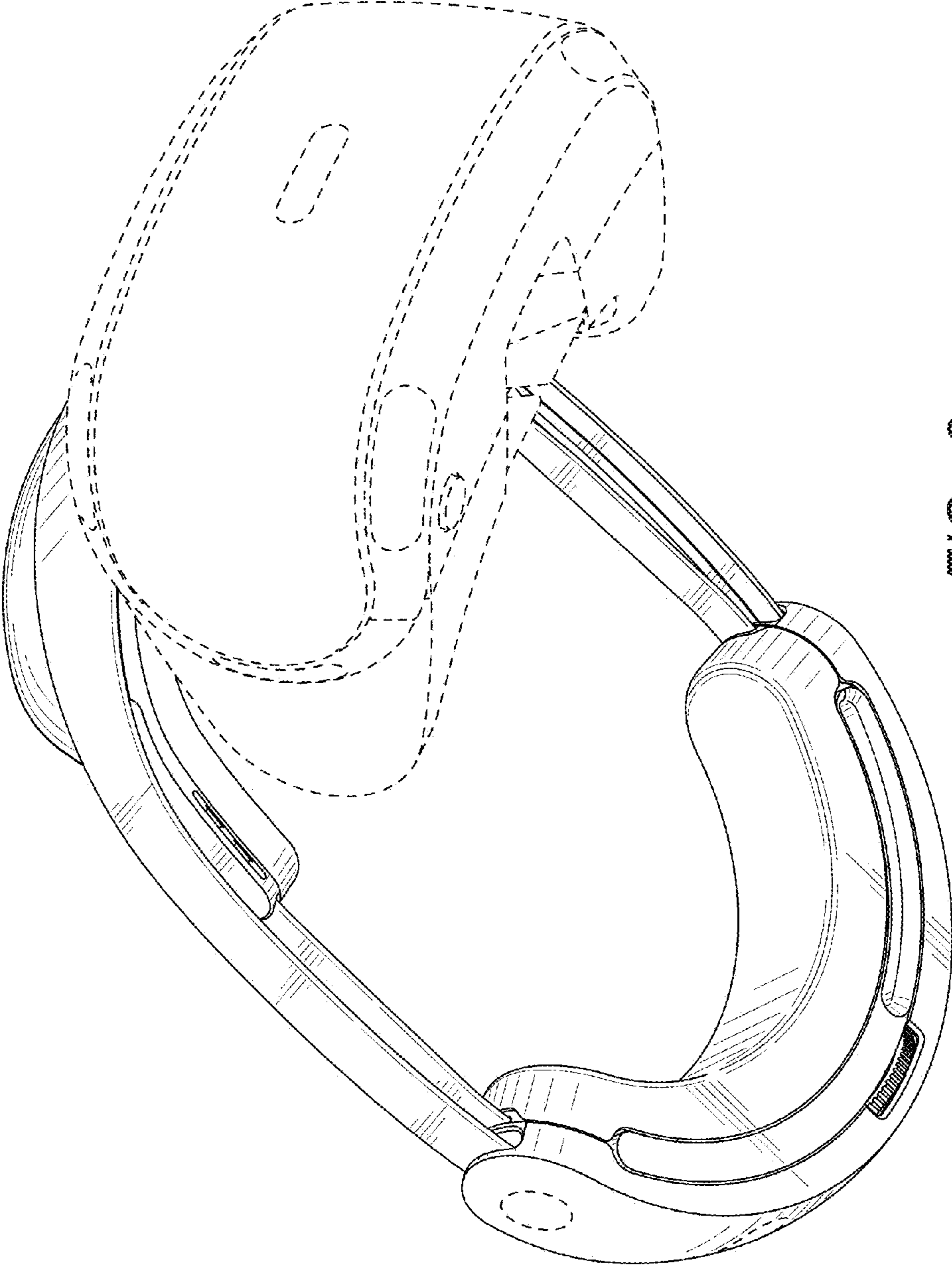


FIG. 3

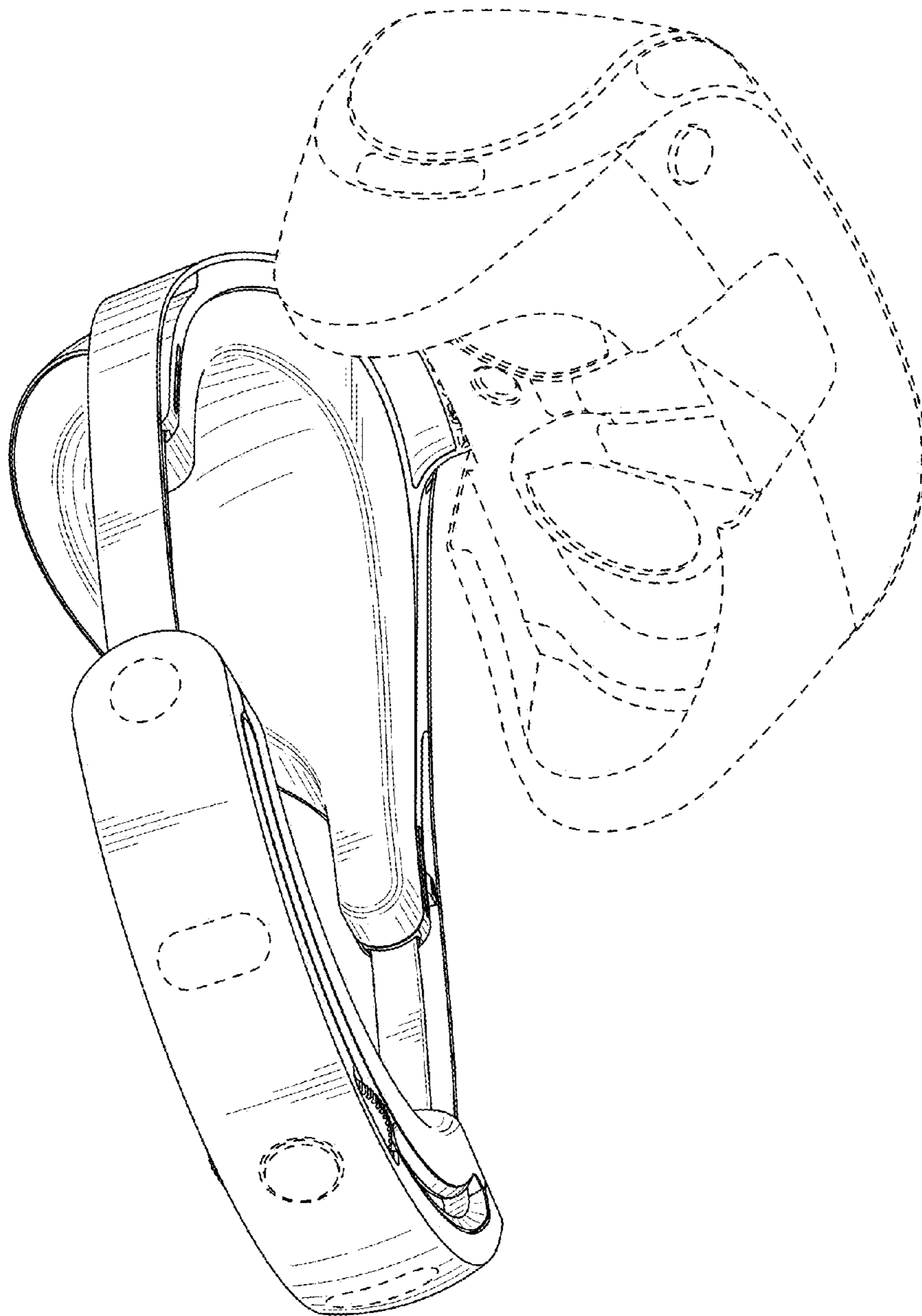


FIG. 4

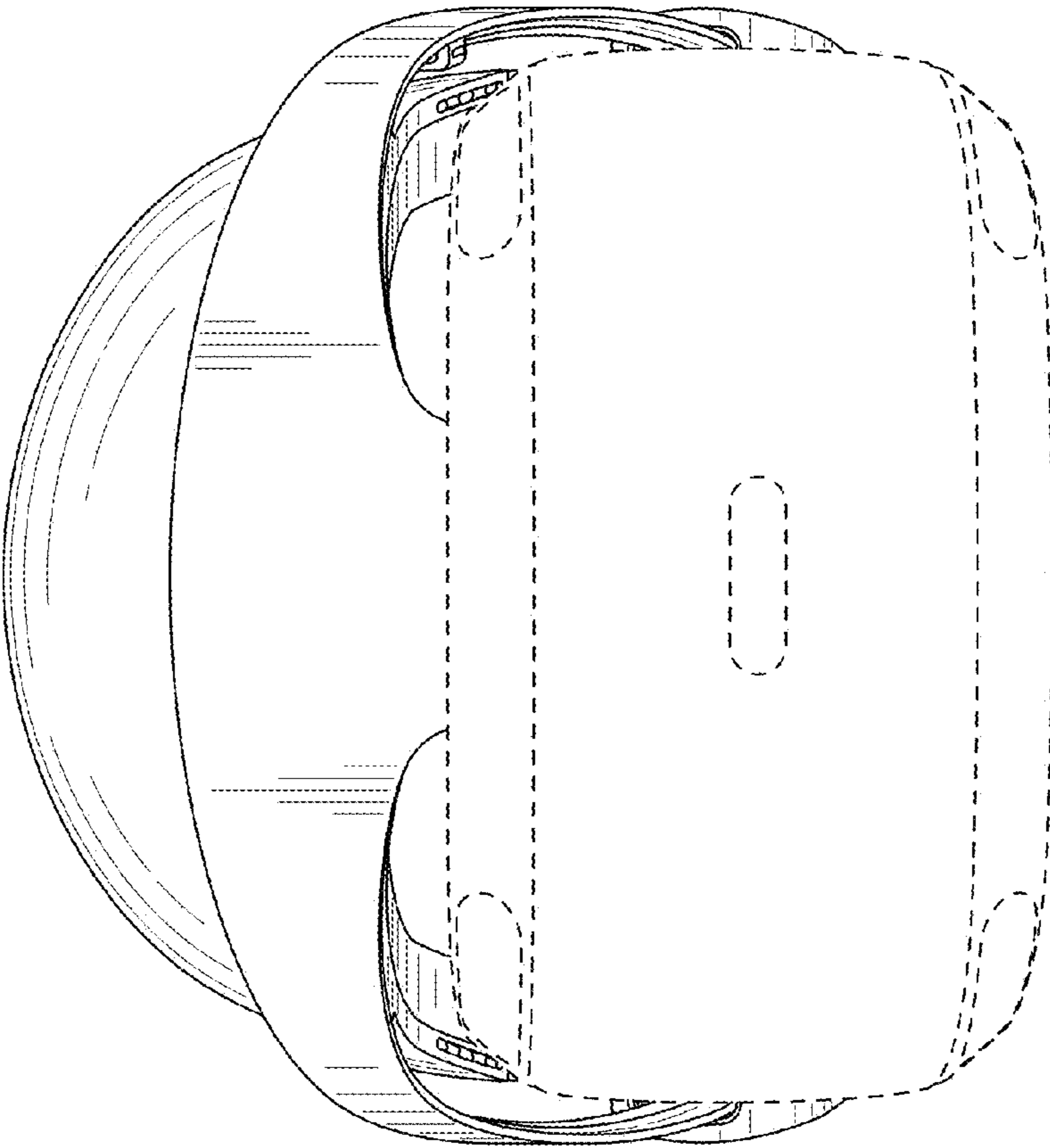


FIG. 5

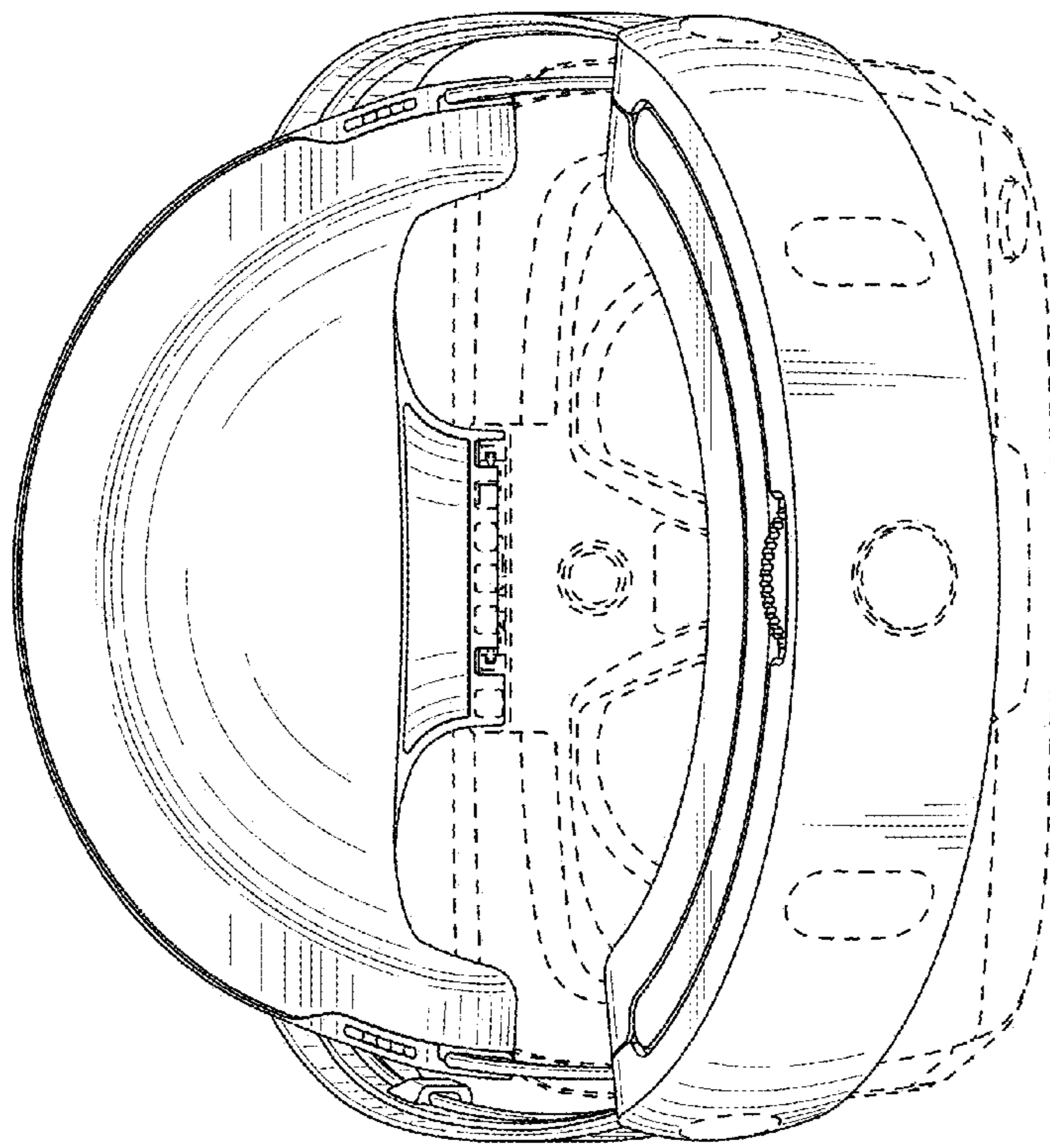


FIG. 6

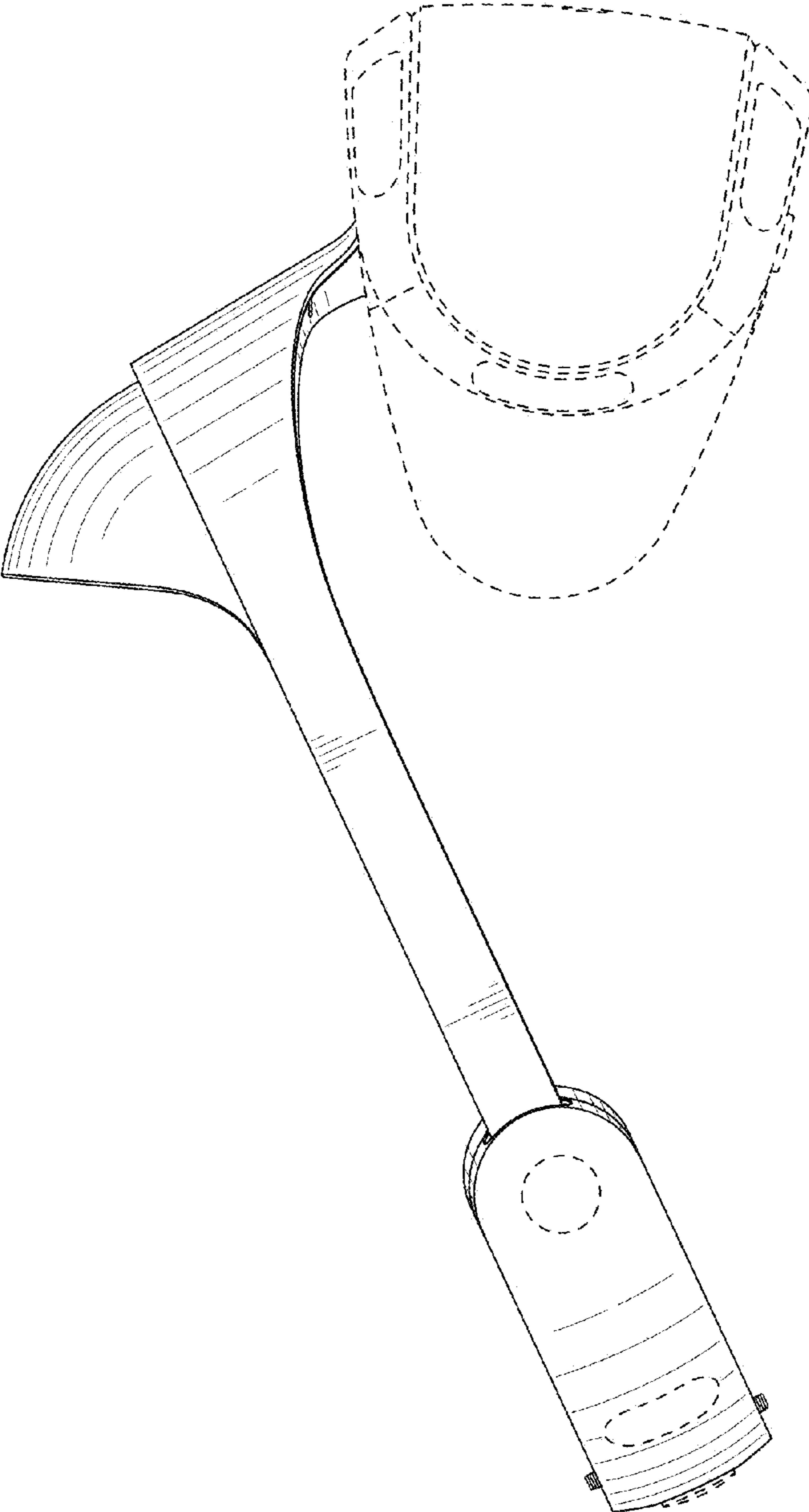


FIG. 7

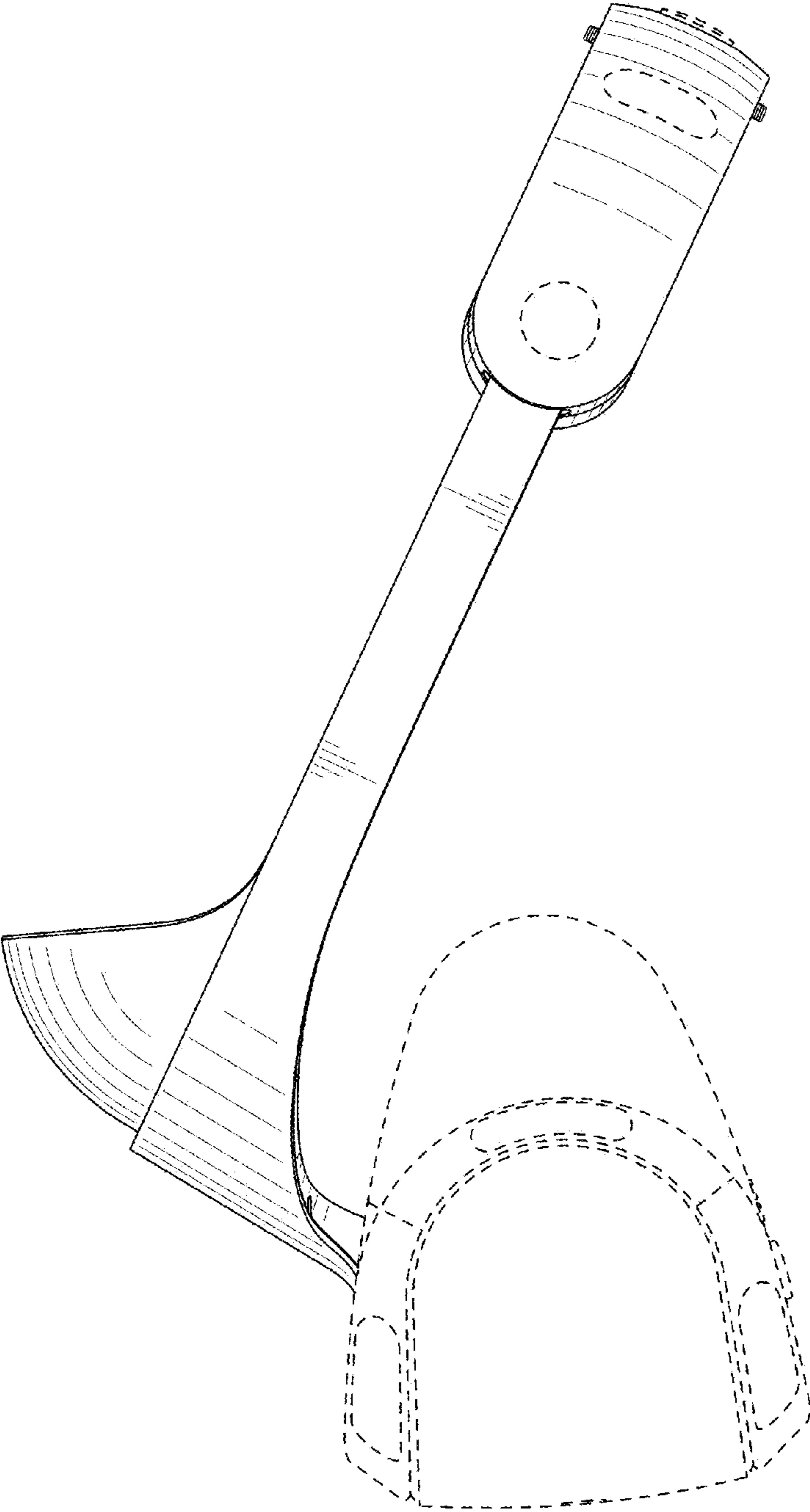


FIG. 8

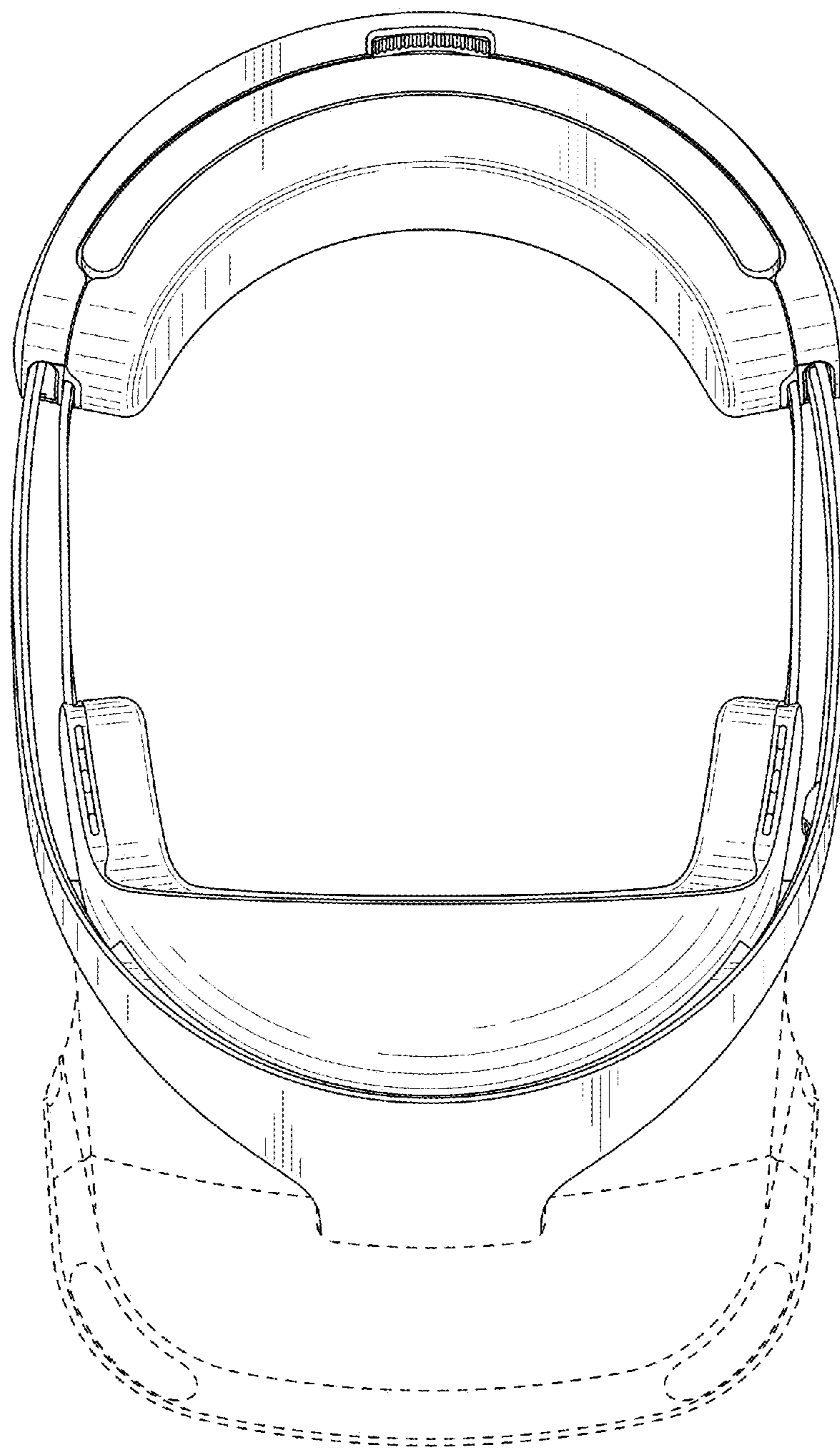


FIG. 9

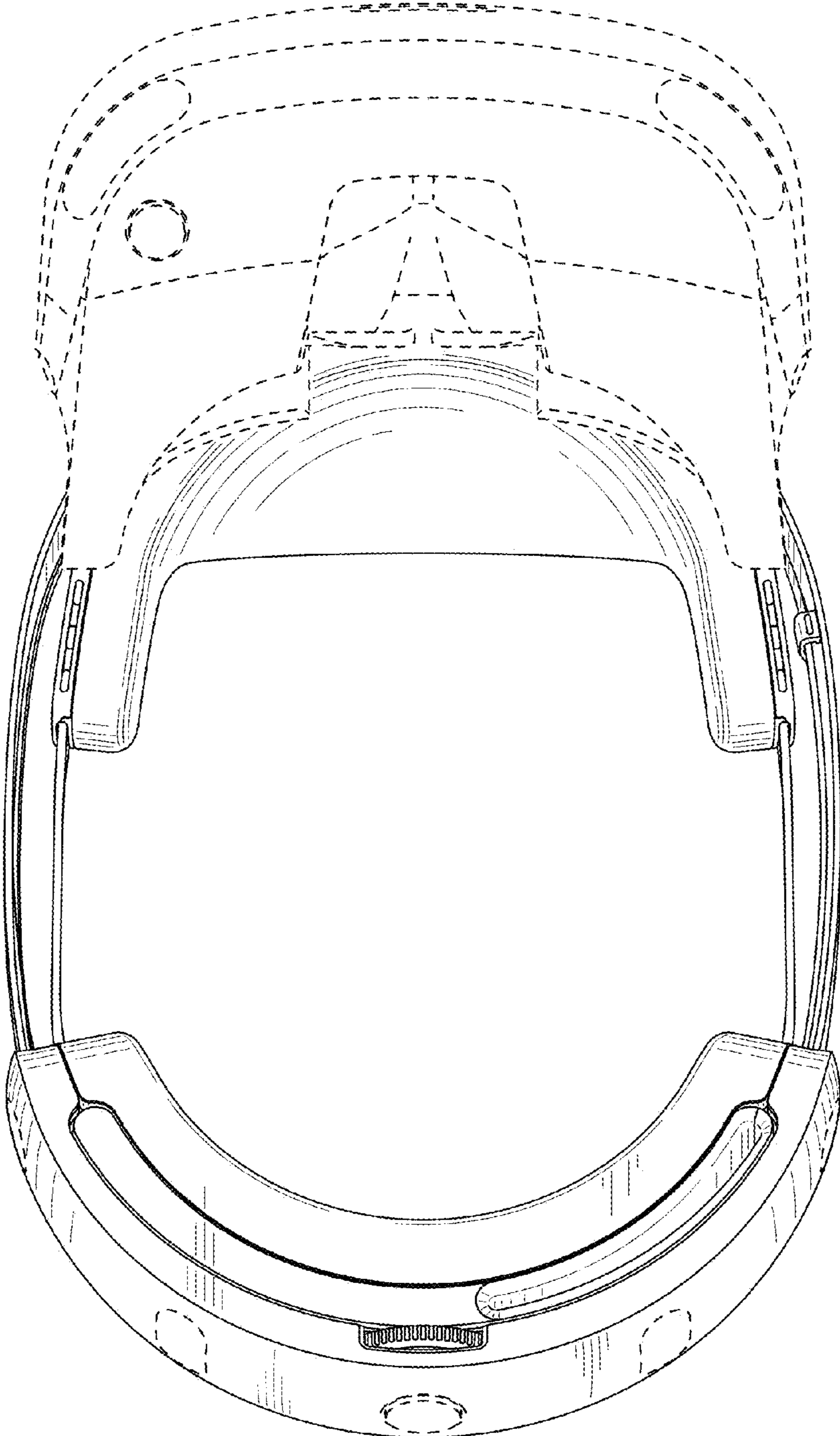


FIG. 10