



US00D764466S

(12) **United States Design Patent**  
**Kim et al.**

(10) **Patent No.:** **US D764,466 S**

(45) **Date of Patent:** **\*\* Aug. 23, 2016**

(54) **HEAD-MOUNTED DISPLAY DEVICE**

(71) Applicant: **Samsung Electronics Co., Ltd.**,  
Suwon-si (KR)

(72) Inventors: **Minsoo Kim**, Seoul (KR); **Jinsoo Kim**,  
Yongin-si (KR); **Yongseok Bang**,  
Yongin-si (KR)

(73) Assignee: **SAMSUNG ELECTRONICS CO.,  
LTD.**, Suwon-Si (KR)

(\*\*) Term: **15 Years**

(21) Appl. No.: **29/536,748**

(22) Filed: **Aug. 19, 2015**

(30) **Foreign Application Priority Data**

Feb. 26, 2015 (KR) ..... 30-2015-0009735

(51) **LOC (10) Cl.** ..... **14-02**

(52) **U.S. Cl.**  
USPC ..... **D14/372**

(58) **Field of Classification Search**

USPC ..... D14/372, 496, 432, 371, 125, 126, 129,  
D14/299; D16/300-342; 351/158, 153, 144;  
345/7-9, 905; 455/344; 348/115, 53,  
348/121, 739

CPC ..... G02B 27/017; G02B 27/0158; G02B  
27/0161; G02B 27/0181; G02B 27/0185;  
G02B 27/0189

See application file for complete search history.

(56) **References Cited**

**U.S. PATENT DOCUMENTS**

D338,514 S \* 8/1993 Holmes ..... D14/372  
D351,622 S \* 10/1994 Holmes ..... D14/372  
D389,826 S \* 1/1998 Cousins ..... D14/135  
D440,967 S \* 4/2001 Jung ..... D14/372  
D521,493 S \* 5/2006 Wai ..... D14/205  
D571,366 S \* 6/2008 Lee ..... D14/372

D578,120 S \* 10/2008 Lowe ..... D14/372  
D579,014 S \* 10/2008 Travers ..... D14/372  
D645,862 S \* 9/2011 Paul ..... D14/372  
D704,706 S \* 5/2014 Serota ..... D14/372  
D709,880 S \* 7/2014 Kim ..... D14/372

(Continued)

**FOREIGN PATENT DOCUMENTS**

KR 30-0719750 12/2013

**OTHER PUBLICATIONS**

<http://19guem.com/594>, date accessed: Mar. 17, 2015.

(Continued)

*Primary Examiner* — Austin Murphy

(74) *Attorney, Agent, or Firm* — McAndrews Held &  
Malloy, Ltd.

(57) **CLAIM**

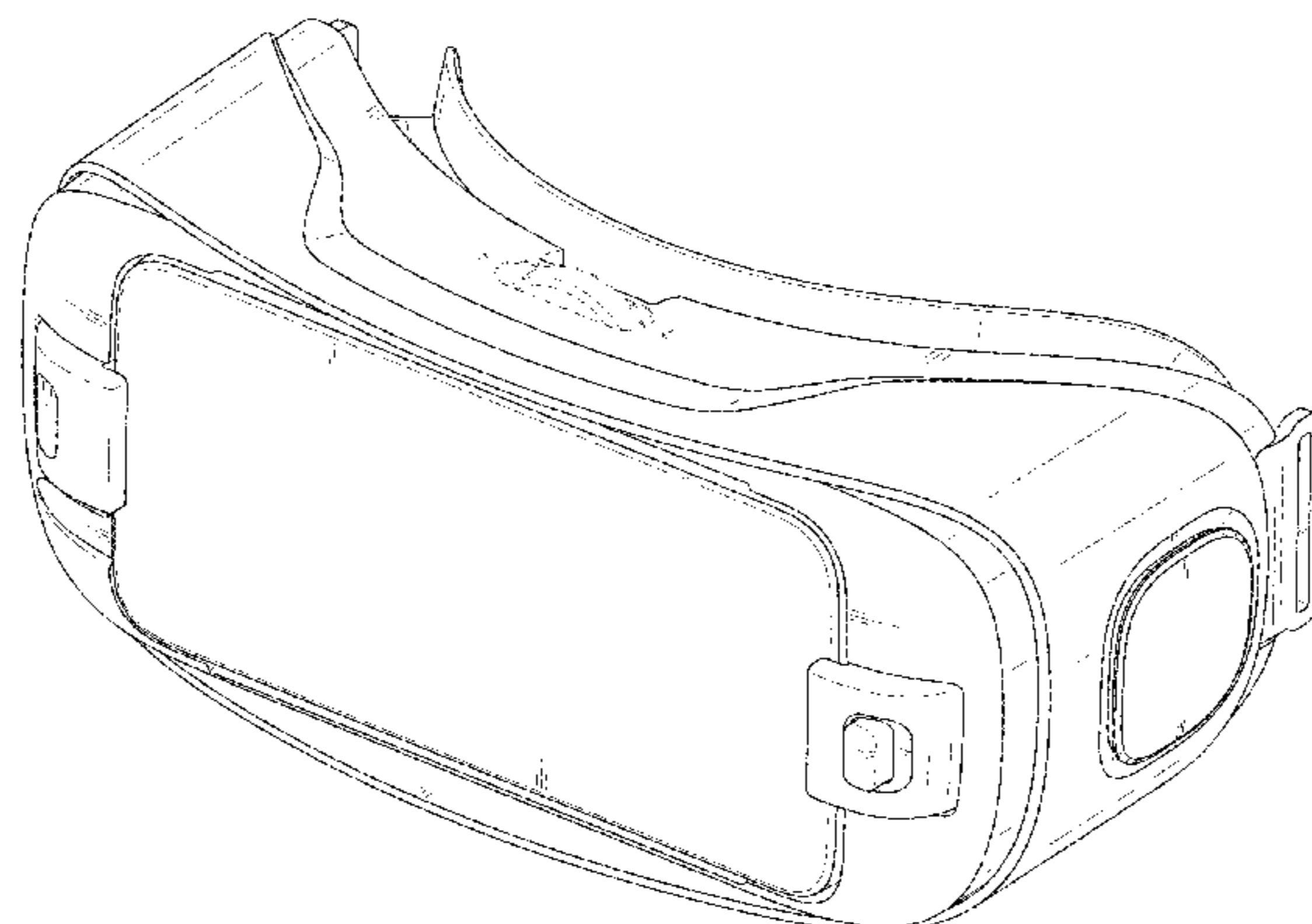
The ornamental design for a head-mounted display device, as  
shown and described.

**DESCRIPTION**

FIG. 1 is a top right front perspective view of a head-mounted  
display device showing our new design;  
FIG. 2 is a front elevation view thereof;  
FIG. 3 is a rear elevation view thereof;  
FIG. 4 is a left side elevation view thereof;  
FIG. 5 is a right side elevation view thereof;  
FIG. 6 is a top plan view thereof;  
FIG. 7 is a bottom plan view thereof; and,  
FIG. 8 is another top right front perspective view thereof, in  
which a head attachment means in dot-dash broken lines is  
provided to illustrate an example environment.

The short dash-dash broken line in the figures represents  
unclaimed portions of the head-mounted display device and  
the dot-dash broken line showing of a head attachment means  
in FIG. 8 is for the purpose of illustrating environmental  
structure; the broken lines form no part of the claimed design.

**1 Claim, 8 Drawing Sheets**



(56)

References Cited

OTHER PUBLICATIONS

U.S. PATENT DOCUMENTS

D714,786 S	*	10/2014	Pombo .....	D14/372
D727,318 S	*	4/2015	Garcia Marin .....	D14/372
D732,028 S	*	6/2015	Kim .....	D14/372
D738,374 S	*	9/2015	Luckey .....	D14/372
D741,327 S	*	10/2015	Reznik .....	D14/372
D749,580 S	*	2/2016	Kim .....	D14/372
D749,583 S	*	2/2016	Luckey .....	D14/372
D750,074 S	*	2/2016	Coz .....	D14/372
D751,072 S	*	3/2016	Lyons .....	D14/372

Cooper, Daniel, LG builds its own mobile VR headset for the G3, Feb. 9, 2015, available at <http://www.engadget.com/2015/02/09/lg-google-cardboard-vr-headset-g3/>.  
[http://prod.danawa.com/info/?pcode=2904791&relationMenuType=koost#bookmark\\_product\\_information](http://prod.danawa.com/info/?pcode=2904791&relationMenuType=koost#bookmark_product_information), date accessed: Mar. 17, 2015.  
<http://shougo.tistory.com/91>, date accessed: Mar. 17, 2015.

\* cited by examiner

FIG. 1

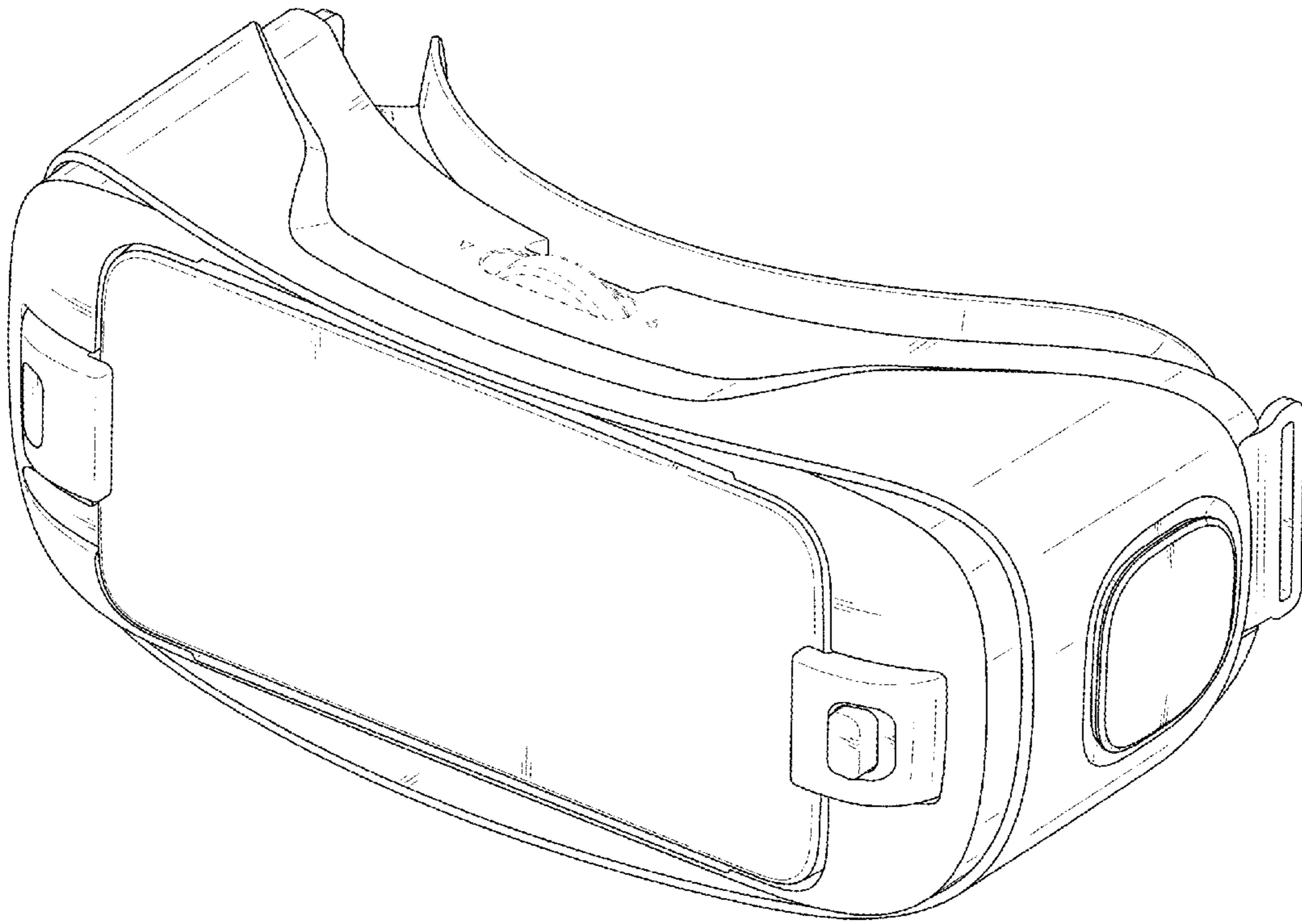


FIG. 2

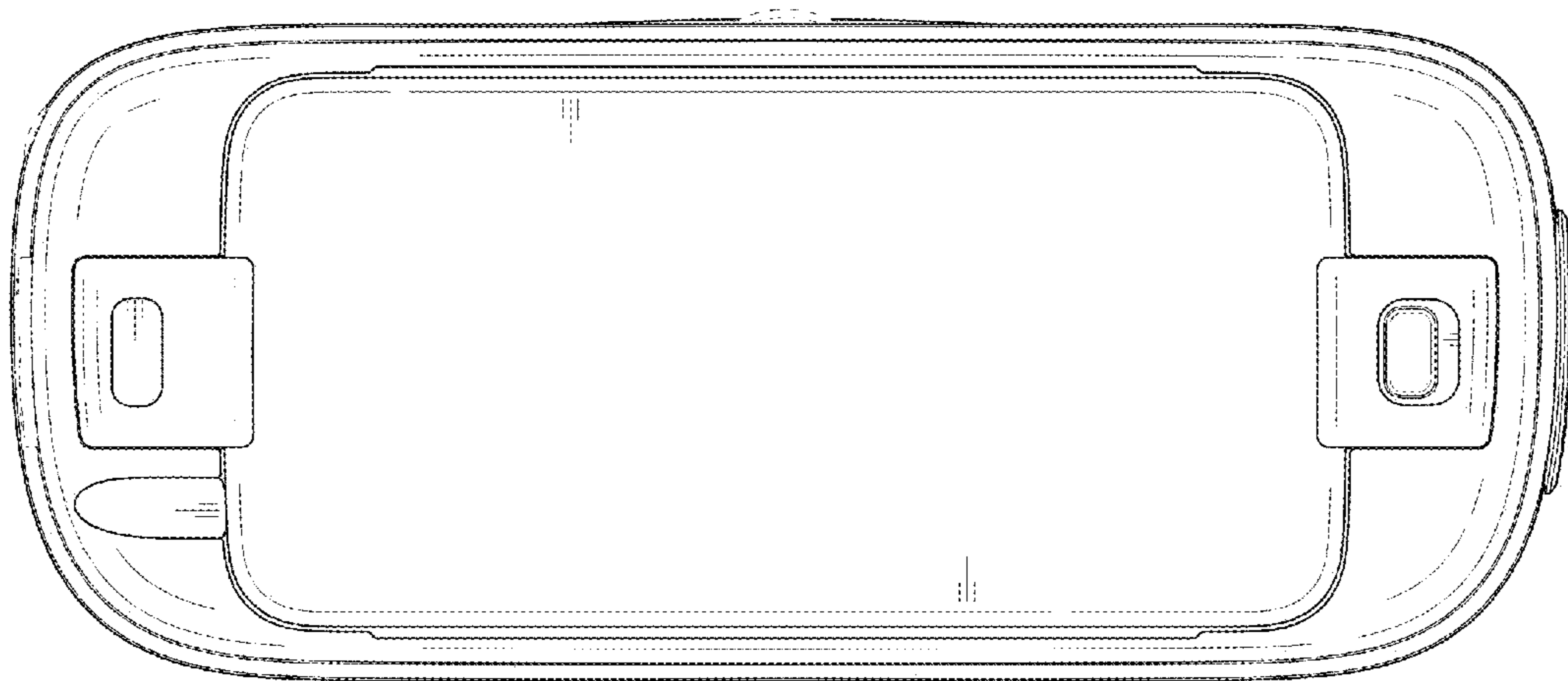


FIG. 3

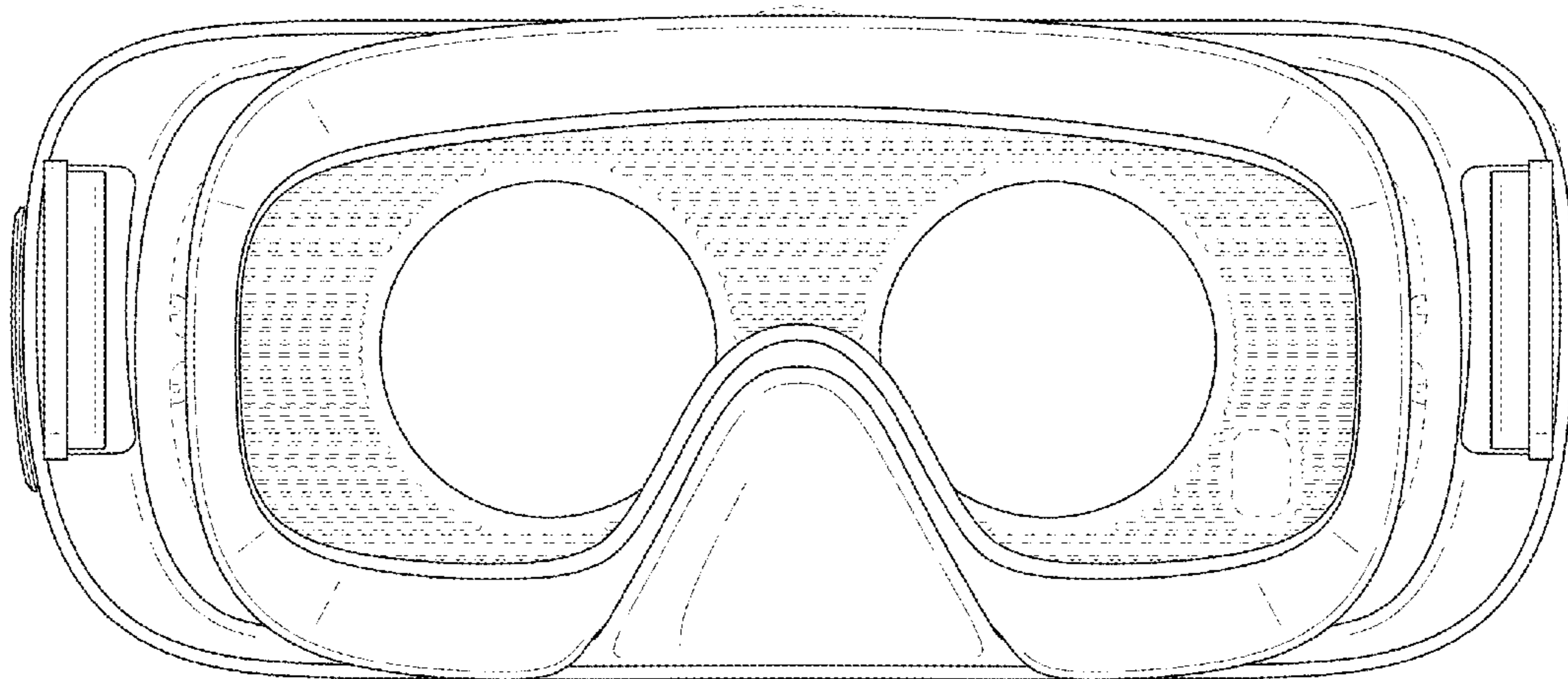


FIG. 4

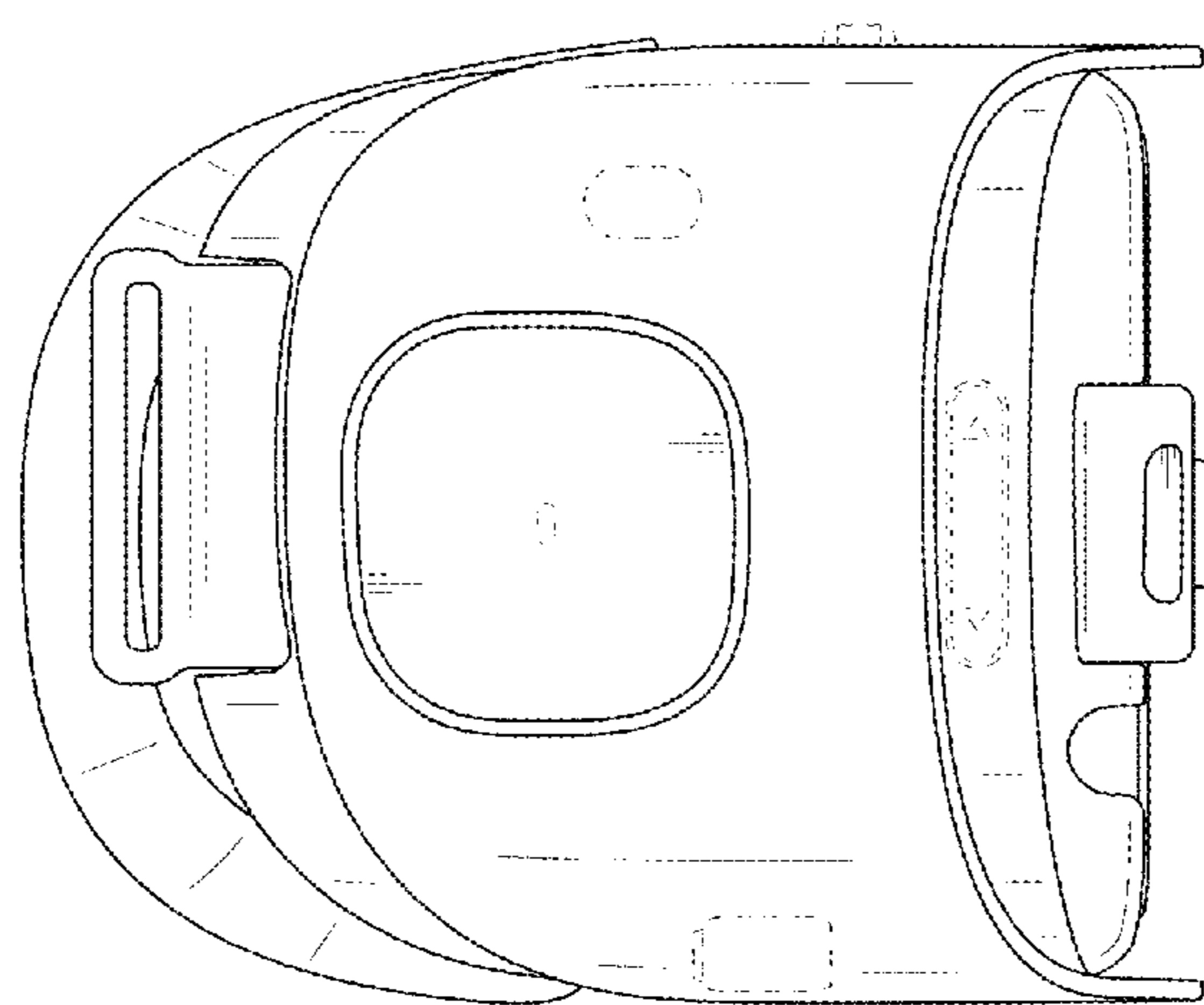


FIG. 5

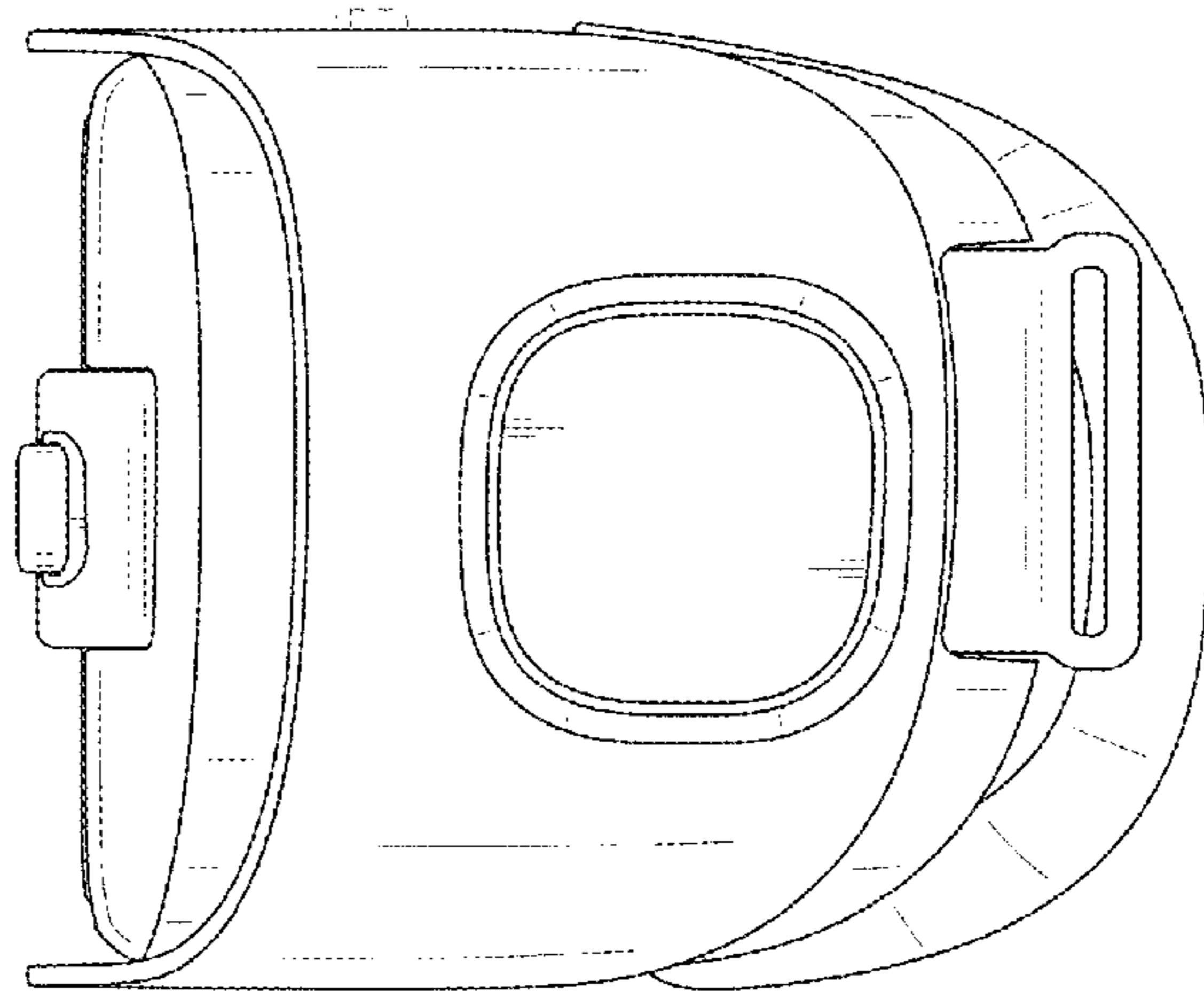


FIG. 6

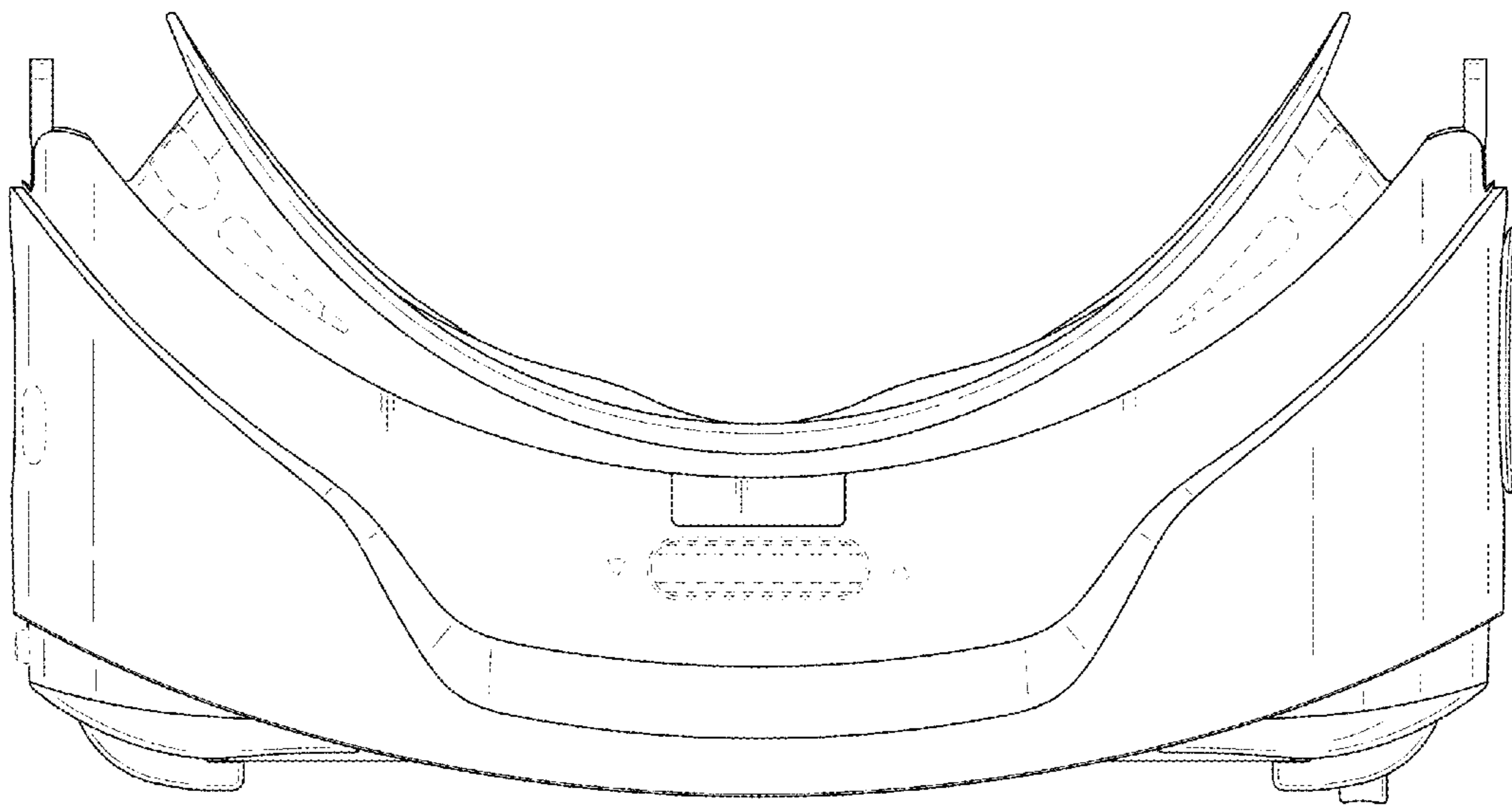




FIG. 7

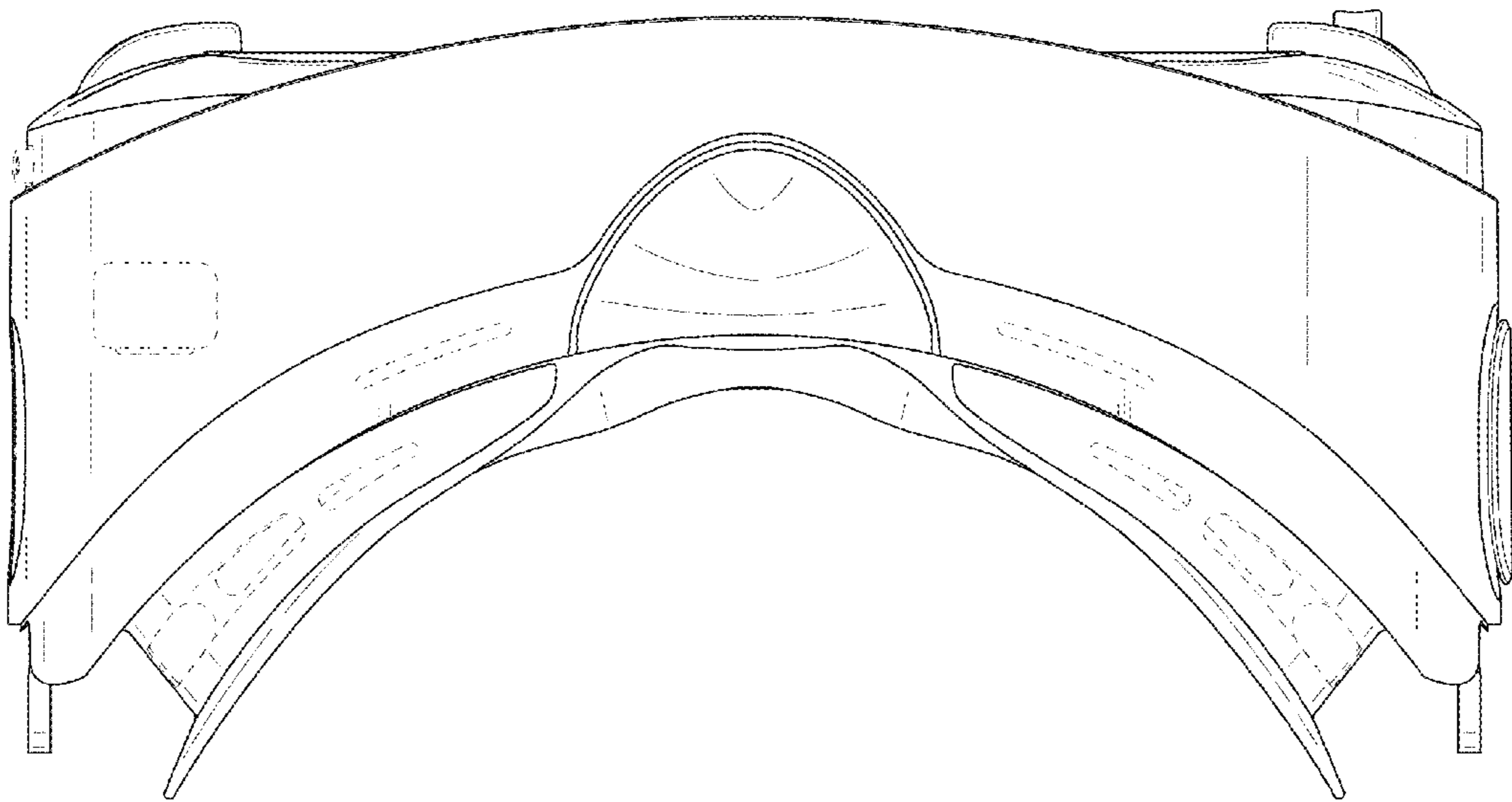


FIG. 8

