

US00D764465S

(12) **United States Design Patent**
Clement

(10) **Patent No.:** **US D764,465 S**
(45) **Date of Patent:** **** Aug. 23, 2016**

(54) **WIRELESS CANTILEVER HEAD MOUNTED DISPLAY WITH ADJUSTABLE OPTICAL SYSTEM**

(71) Applicant: **David John Clement**, Vancouver (CA)

(72) Inventor: **David John Clement**, Vancouver (CA)

(73) Assignee: **WAVESINE SOLUTIONS INC.**,
Vancouver, British Columbia (CA)

(**) Term: **14 Years**

(21) Appl. No.: **29/498,959**

(22) Filed: **Aug. 9, 2014**

(51) **LOC (10) Cl.** **14-02**

(52) **U.S. Cl.**
USPC **D14/372**

(58) **Field of Classification Search**

USPC D14/372, 496, 432, 371, 125, 126, 129,
D14/299; D16/300-342; 351/158, 153, 144;
345/7-9, 905; 455/344; 348/115, 53,
348/121, 739

CPC G02B 27/017; G02B 27/0158; G02B
27/0161; G02B 27/0181; G02B 27/0185;
G02B 27/0189

See application file for complete search history.

(56) **References Cited**

U.S. PATENT DOCUMENTS

D704,706 S * 5/2014 Serota D14/372
8,831,255 B2 * 9/2014 Crawford H04S 7/304
381/17

(Continued)

Primary Examiner — Austin Murphy

(74) *Attorney, Agent, or Firm* — Knobbe, Martens, Olson &
Bear, LLP

(57) **CLAIM**

The ornamental design for a wireless cantilever head mounted display with adjustable optical system, as shown and described.

DESCRIPTION

A portion of the disclosure of this patent document contains material which is subject to copyright protection. This patent

document may show and/or describe matter which is or may become trade dress of the owner. The copyright and trade dress owner has no objection to the facsimile reproduction by anyone of the patent disclosure as it appears in the Patent and Trademark Office patent files or records, but otherwise reserves all copyright and trade dress rights whatsoever.

FIG. 1 is a depiction of the complete wireless cantilever HMD.

FIG. 2 is a right side view of the wireless cantilever HMD.

FIG. 3 is a left side view of the wireless cantilever HMD.

FIG. 4 is a top view of the wireless cantilever HMD.

FIG. 5 is a bottom view of wireless cantilever HMD.

FIG. 6 is a front view of wireless cantilever HMD.

FIG. 7 is a rear view of the complete wireless cantilever HMD.

FIG. 8 is a rear view of the wireless cantilever HMD with the rear compartment removed.

FIG. 9 is the same as FIG. 8 with the rear most components of the optical mounting system removed.

FIG. 10 is the same as FIG. 9 with the adjustable interpupillary lens supports and mounting frame removed.

FIG. 11 is the same as FIG. 10 with the complete optical system and head frame removed.

FIG. 12 is the same as FIG. 11 with the screen and screen bezel removed.

FIG. 13 is the same as FIG. 12 with the screen control board mount removed.

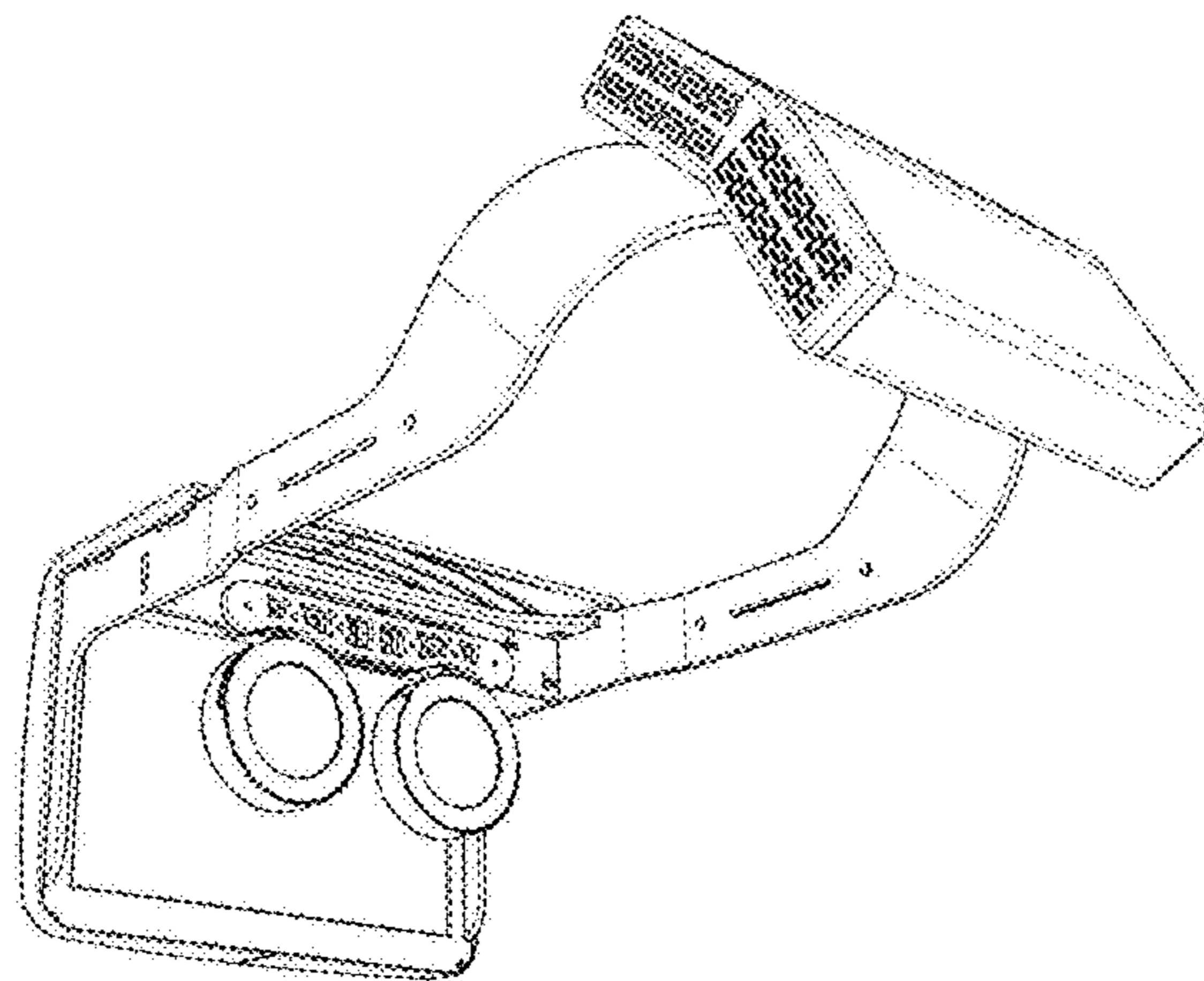
FIG. 14 is a cutaway perspective depiction of the complete optical system.

FIG. 15 is the same as FIG. 14 with the rear most components of the optical mounting system removed; and,

FIG. 16 is the same as FIG. 15 with the adjustable interpupillary lens supports and mounting frame removed.

This wireless cantilever head mounted display (HMD) is to be used for virtual reality and augmented reality applications as well as all other variations in the reality-virtuality continuum. The HMD allows the user to explore such mixed reality in a stationary setting or in a roaming mode within motion capture environments.

1 Claim, 10 Drawing Sheets



(56)

References Cited

U.S. PATENT DOCUMENTS

8,881,316 B2 *	11/2014	Reyes	A61F 9/025 2/431	D738,374 S *	9/2015	Luckey	D14/372
D719,953 S *	12/2014	Nokuo	D14/372	D739,855 S *	9/2015	Bosveld	D14/372
8,928,635 B2 *	1/2015	Harley	G06F 3/03545 178/19.03	D740,810 S *	10/2015	Bosveld	D14/372
8,957,835 B2 *	2/2015	Hoellwarth	G02B 27/017 345/8	D741,323 S *	10/2015	Bosveld	D14/372
D727,318 S *	4/2015	Garcia Marin	D14/372	D741,324 S *	10/2015	Bosveld	D14/372
D732,028 S *	6/2015	Kim	D14/372	D741,327 S *	10/2015	Reznik	D14/372
					D741,858 S *	10/2015	Bosveld	D14/372
					9,176,325 B2 *	11/2015	Lyons	G02B 27/0172
					2014/0152531 A1 *	6/2014	Murray	G06F 1/1632 345/8

* cited by examiner

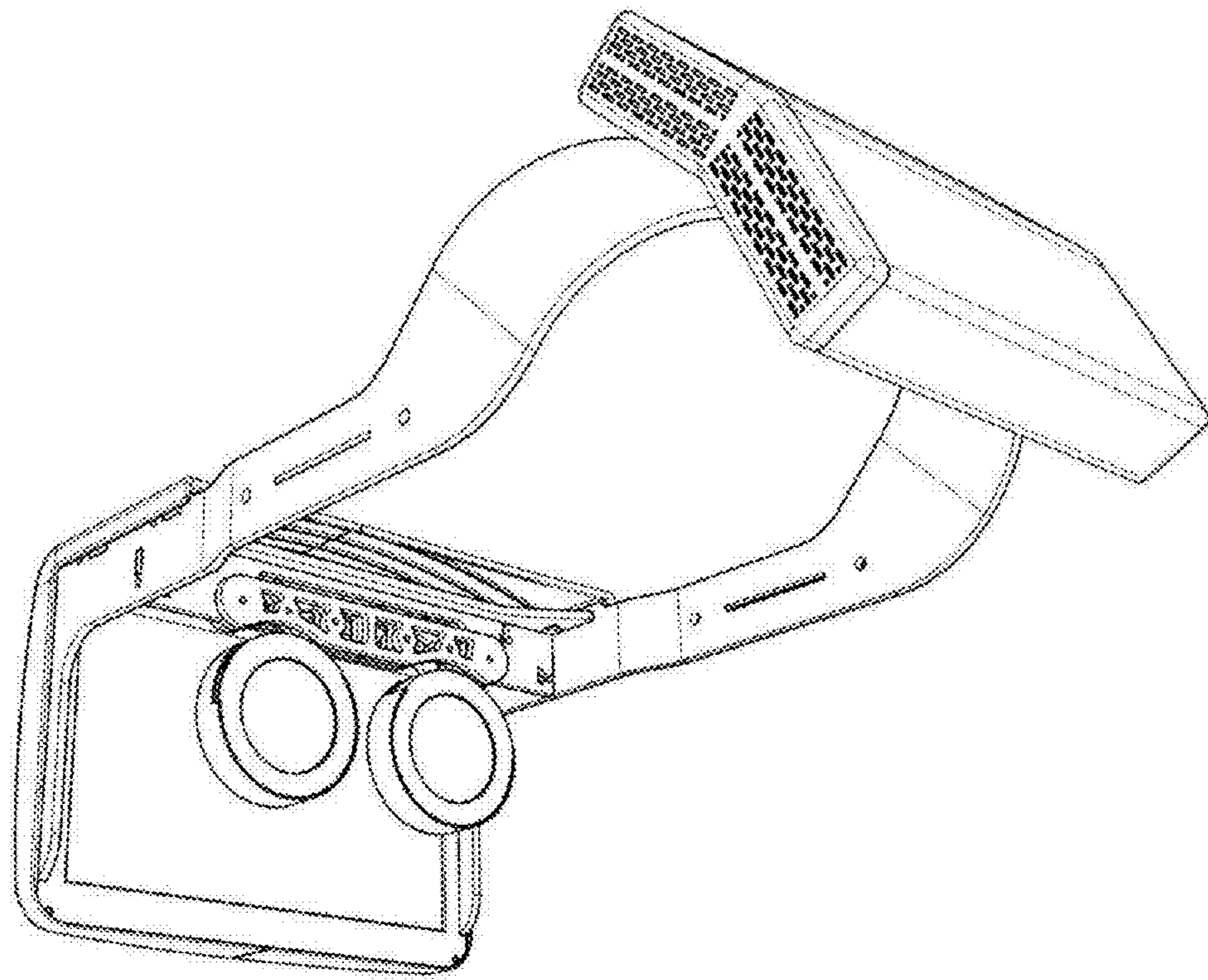


FIG. 1

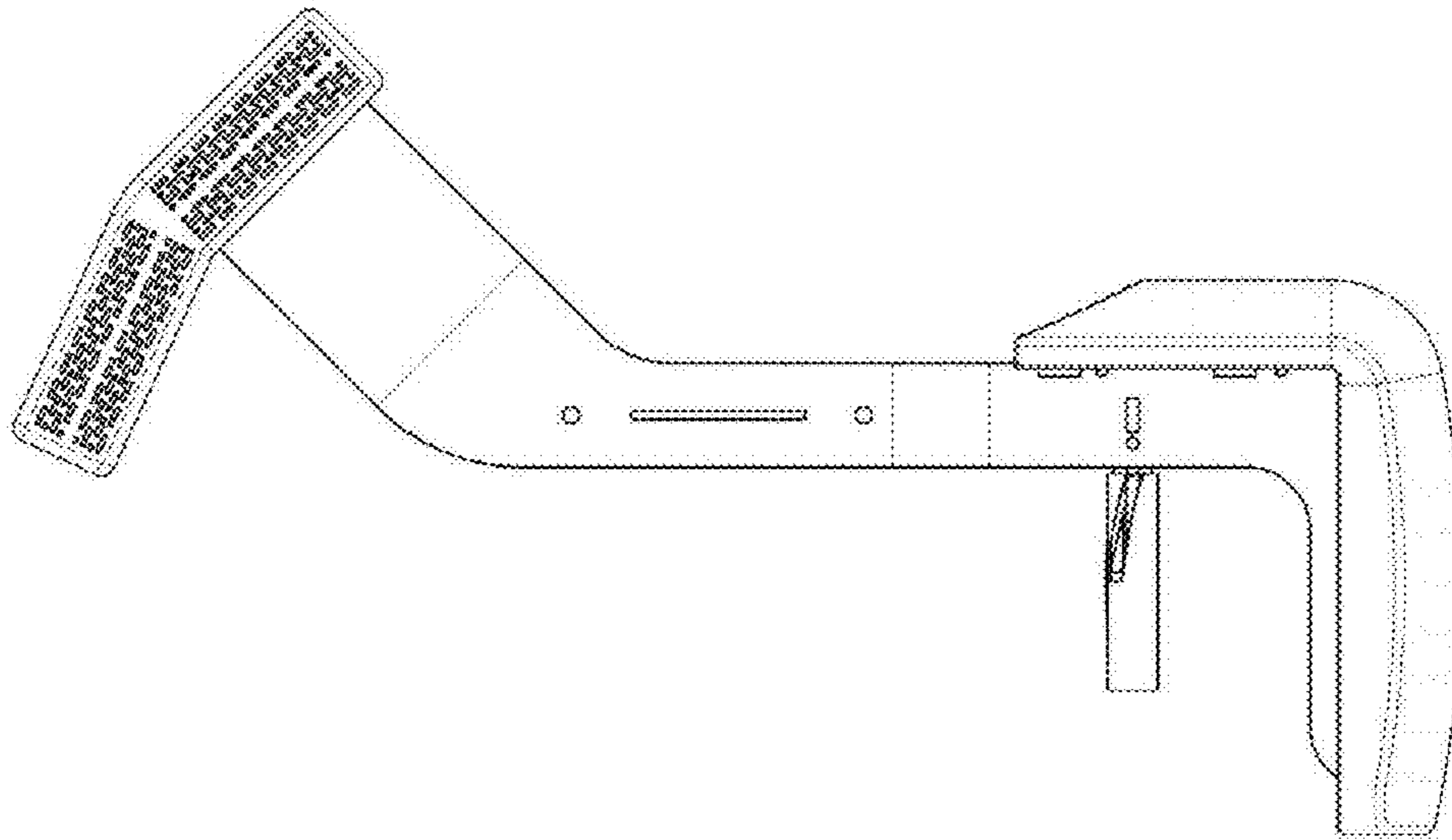


FIG. 2

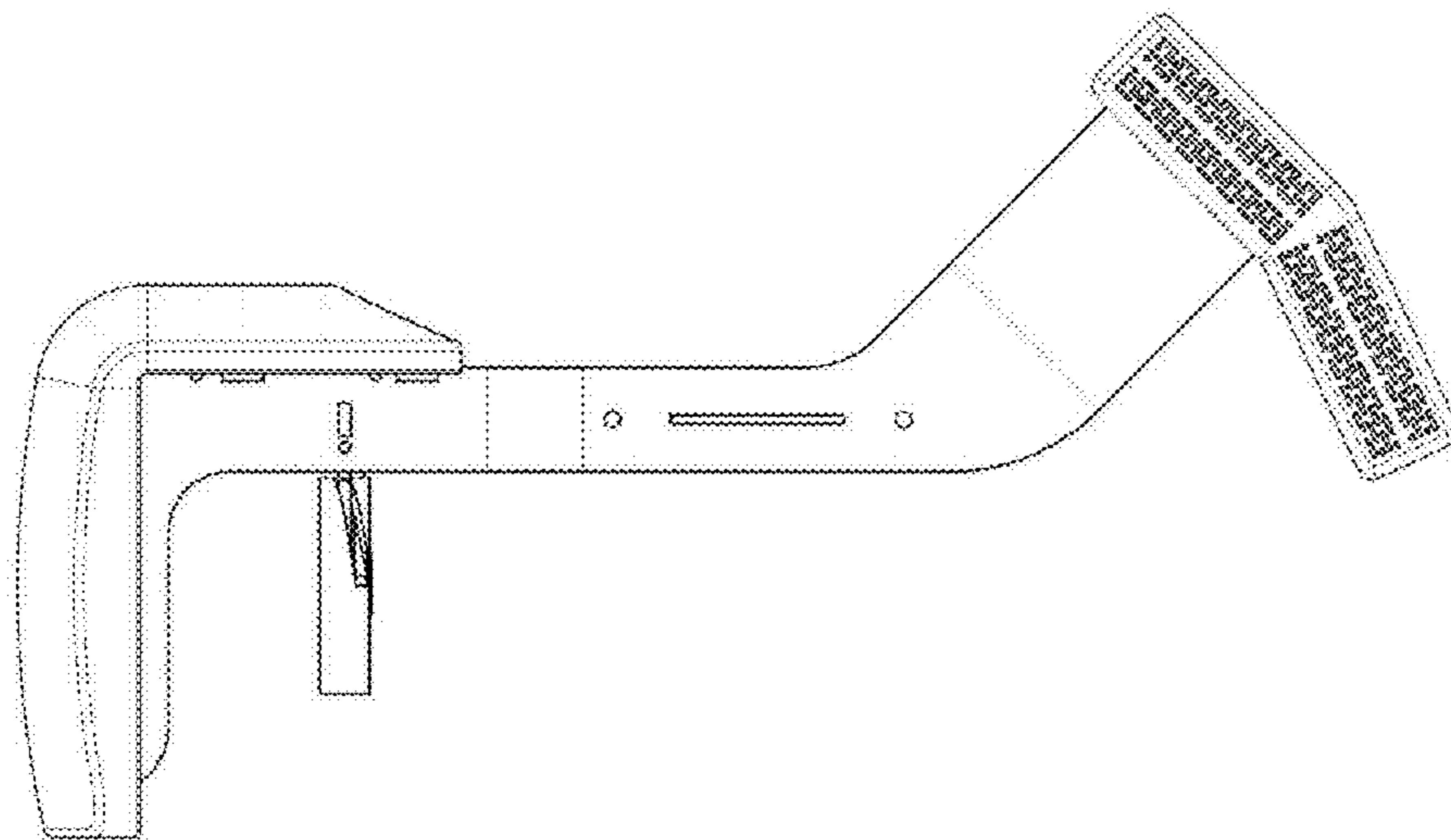


FIG. 3

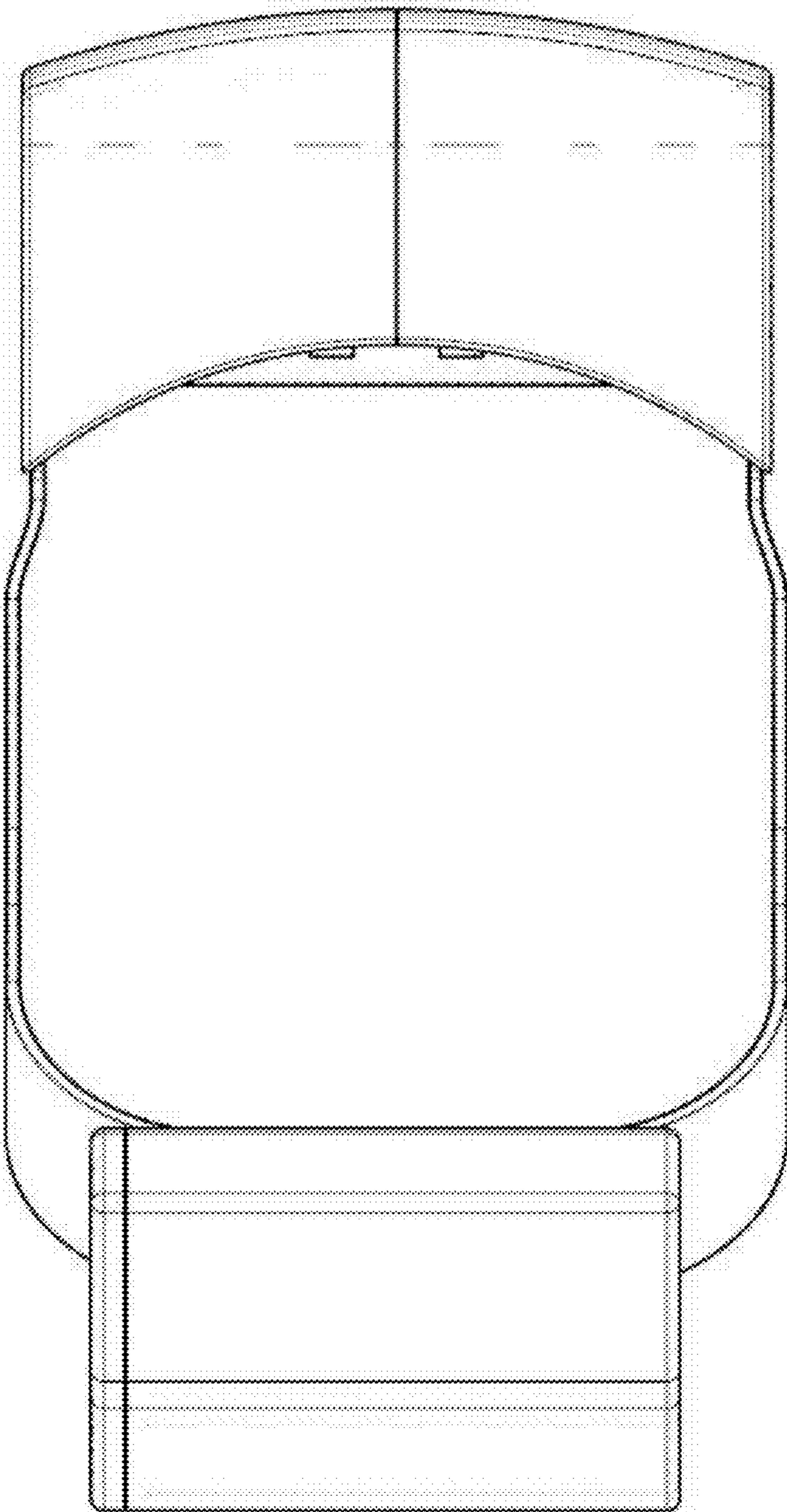


FIG. 4

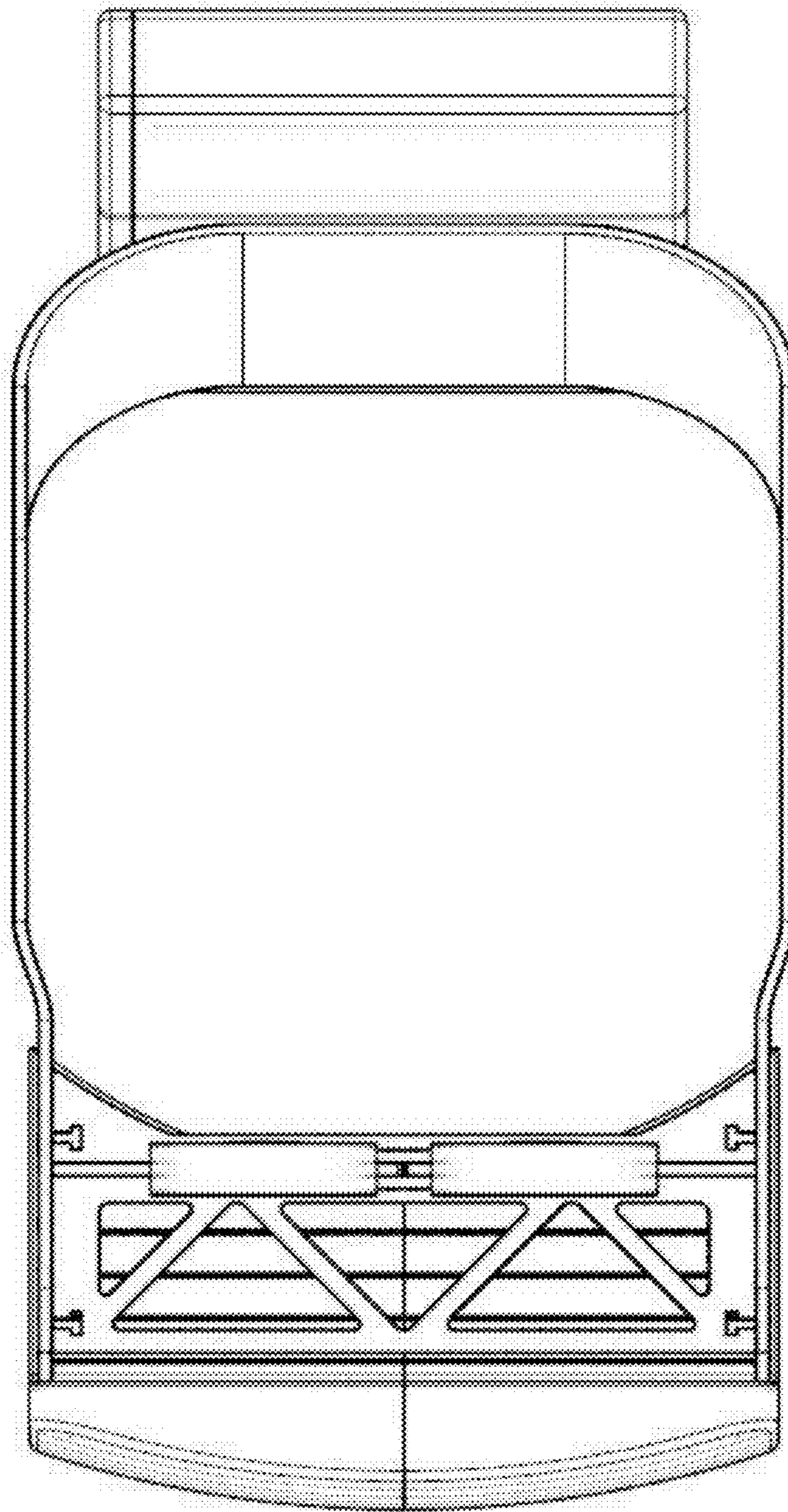


FIG. 5

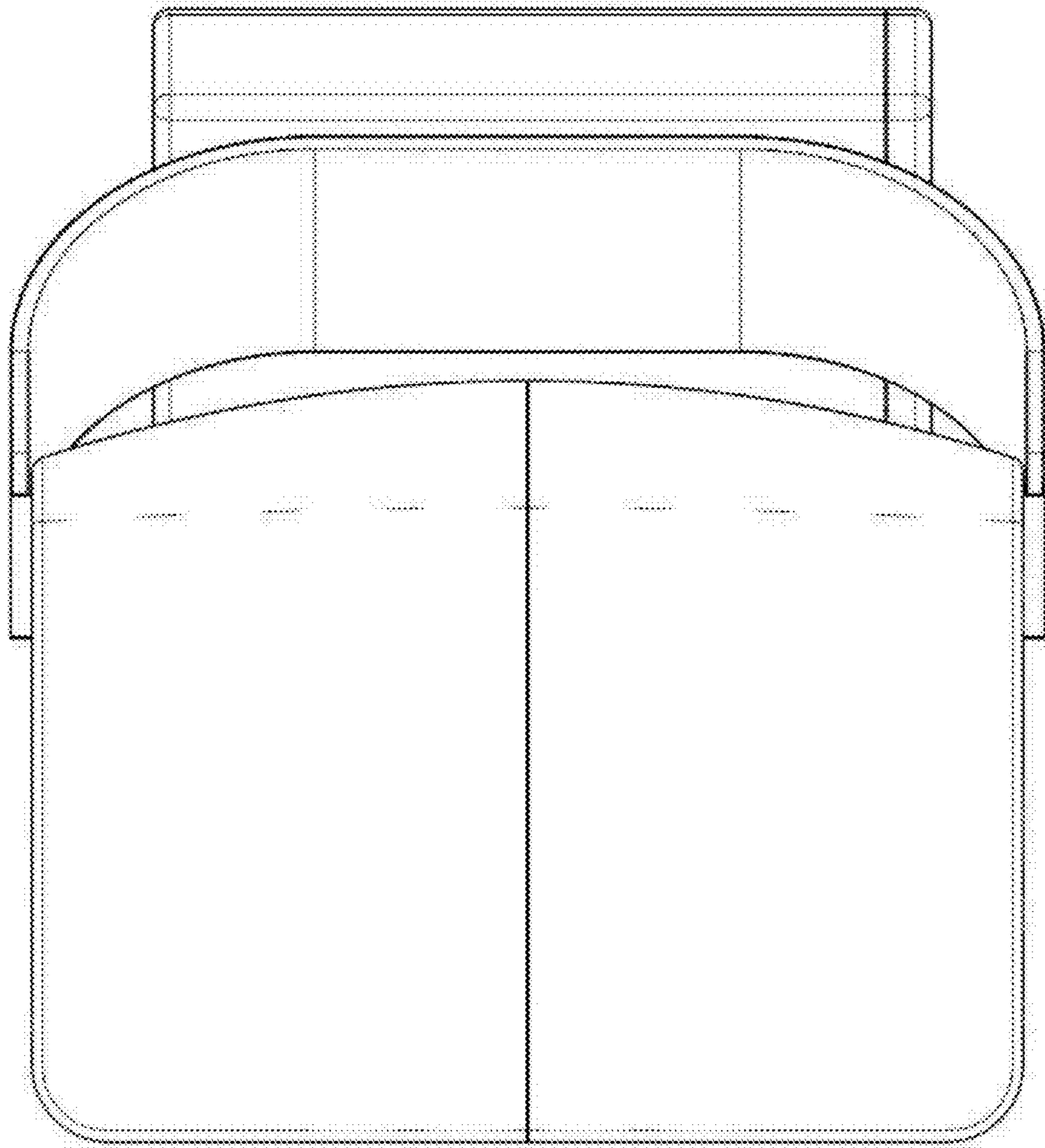


FIG. 6

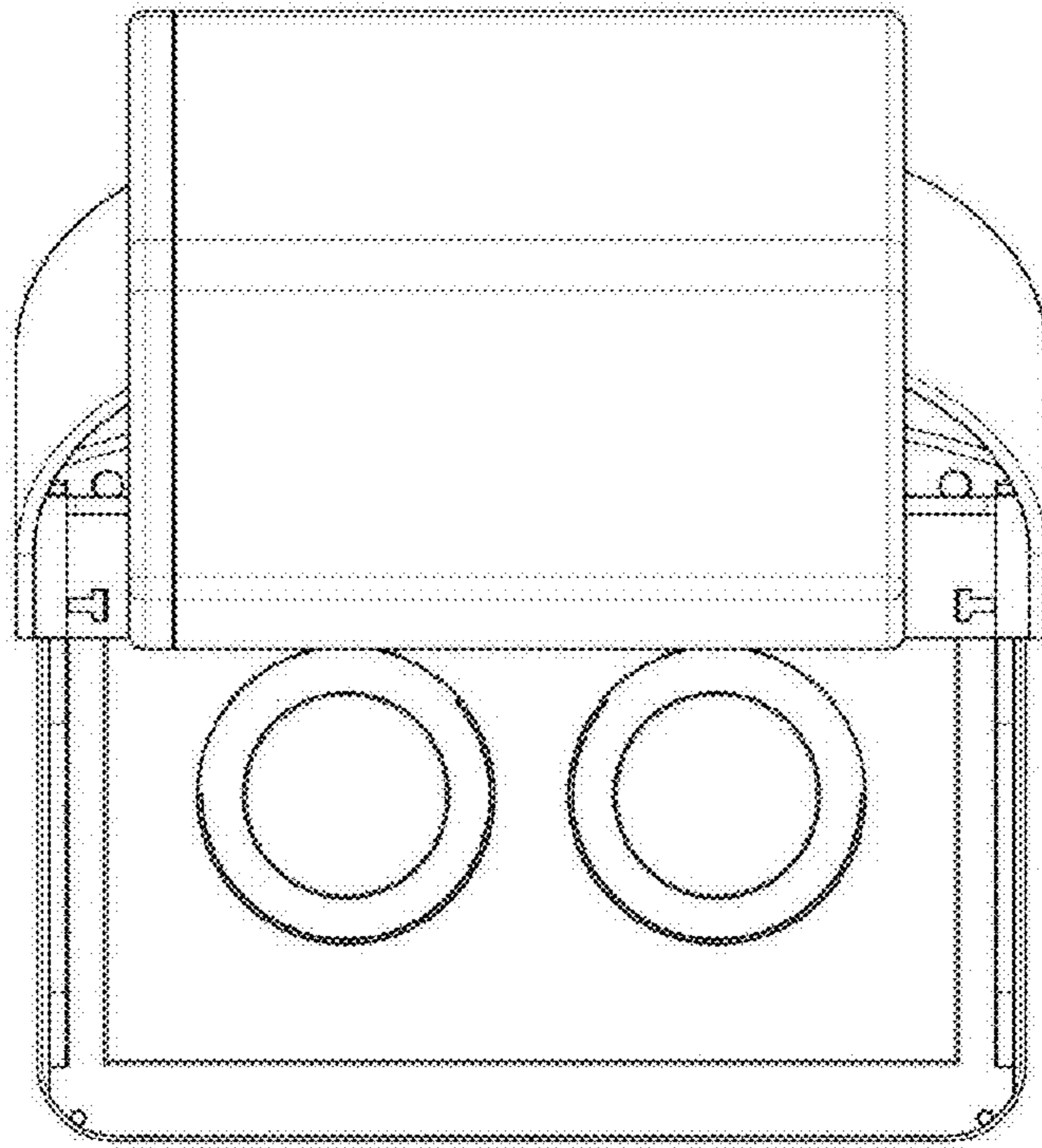


FIG. 7

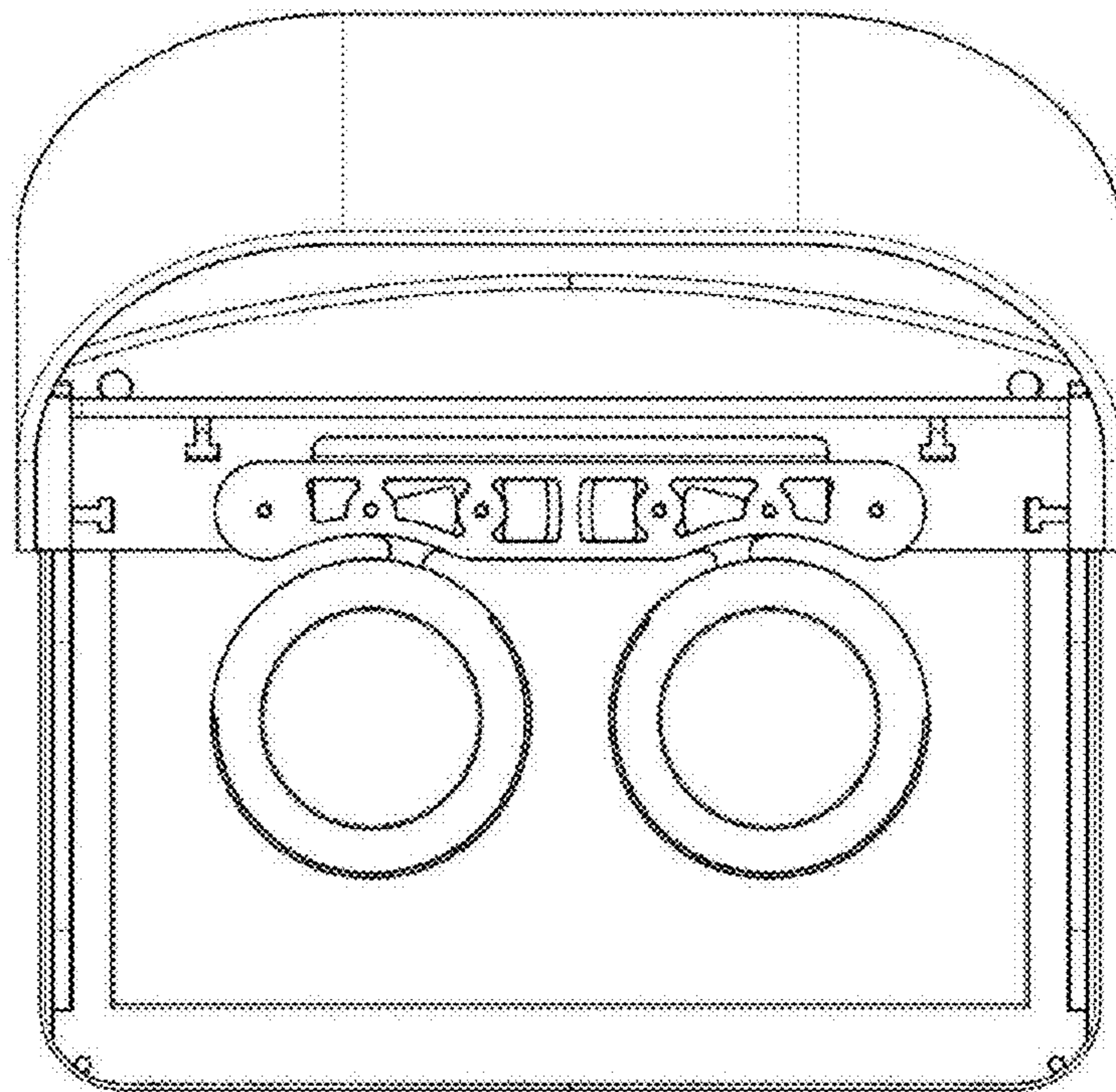


FIG. 8

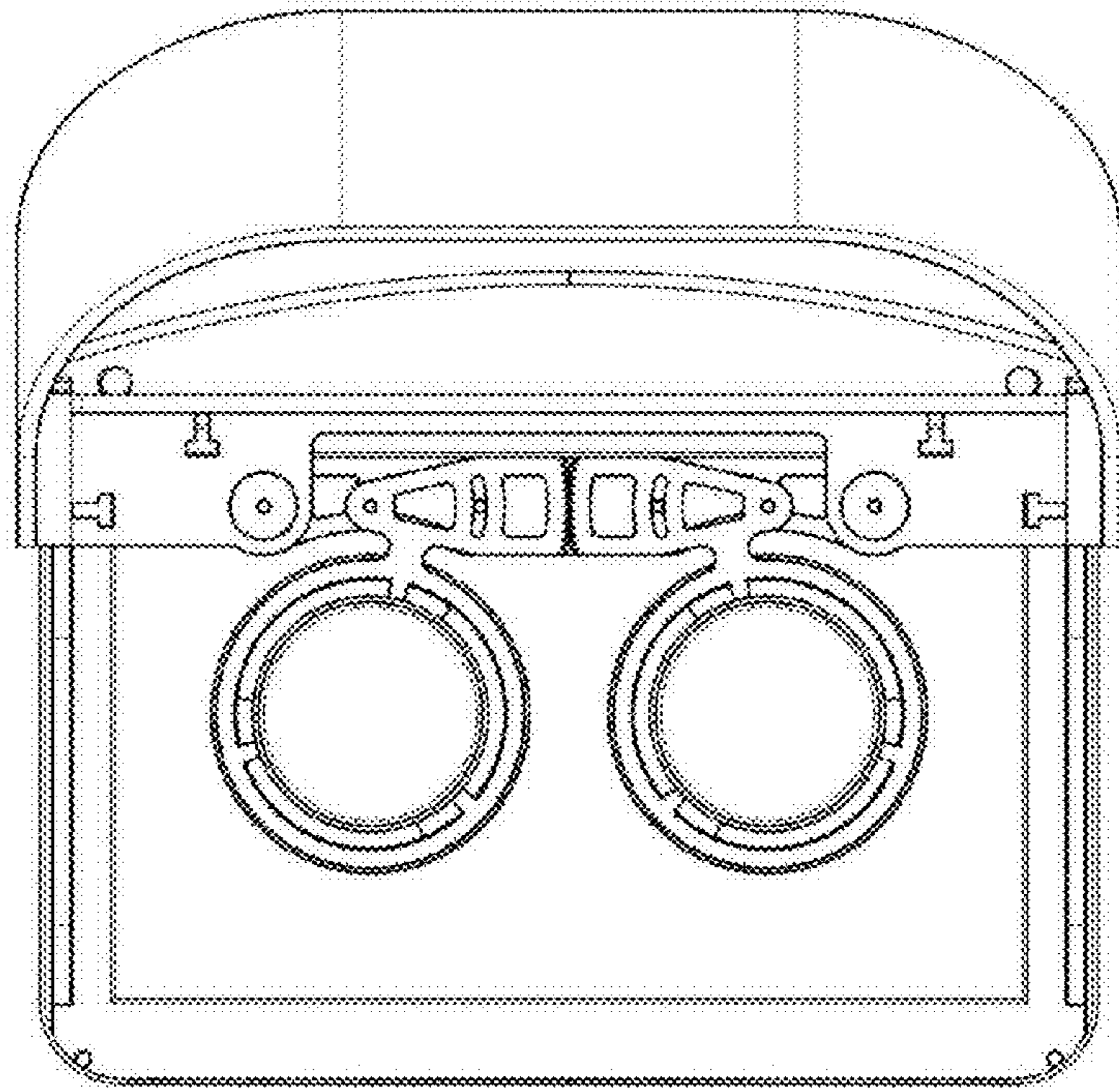


FIG. 9

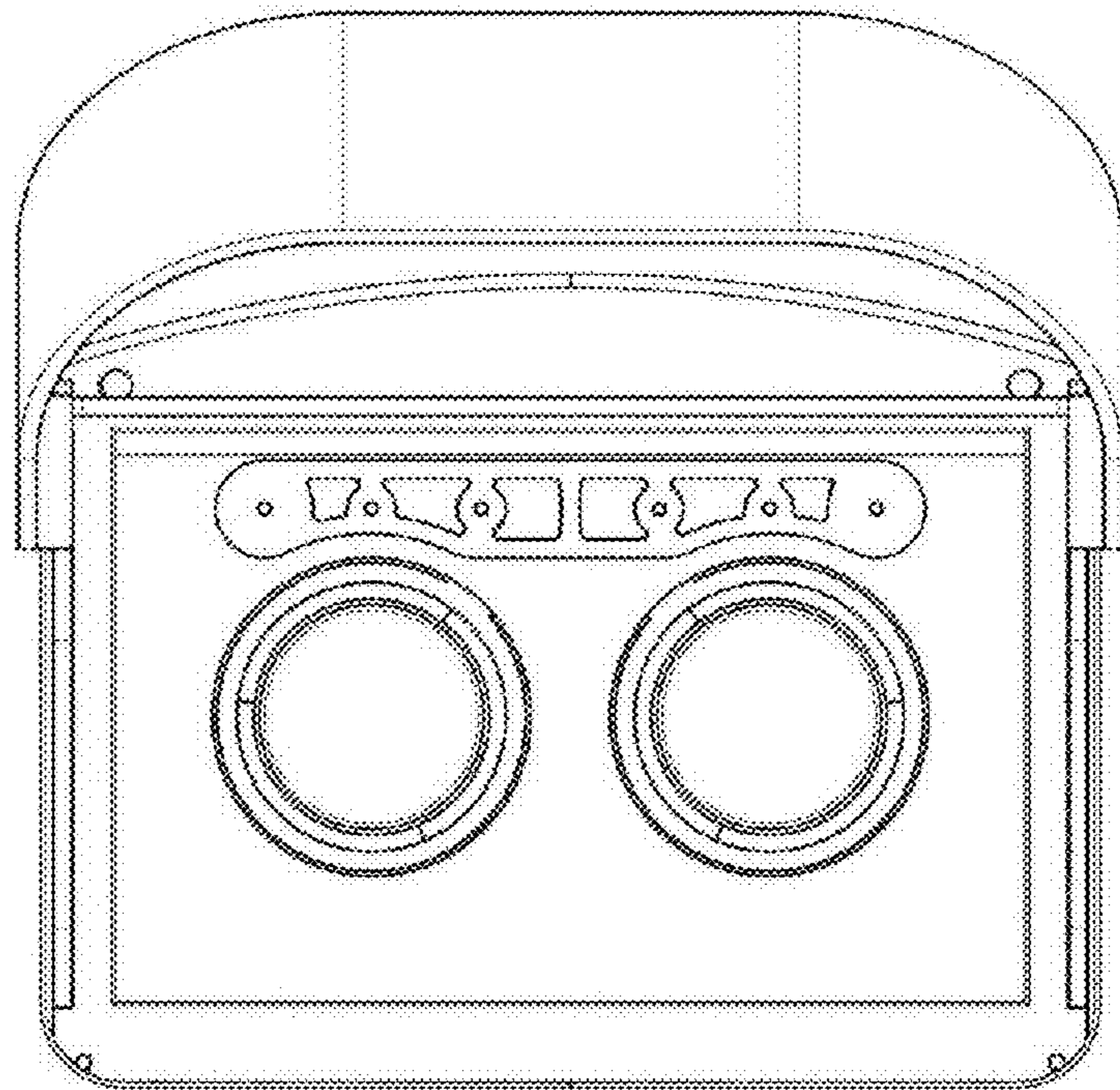


FIG. 10

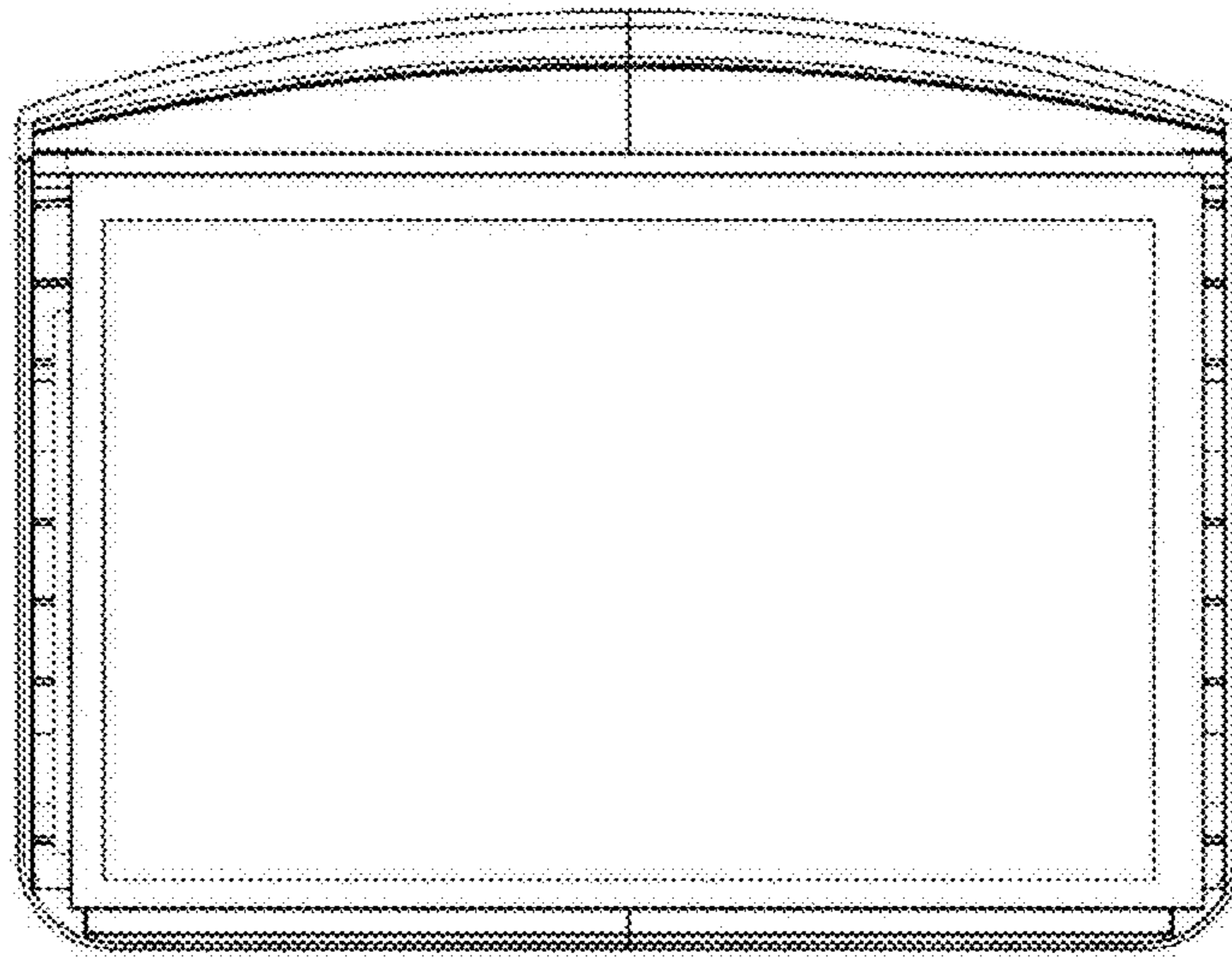


FIG. 11

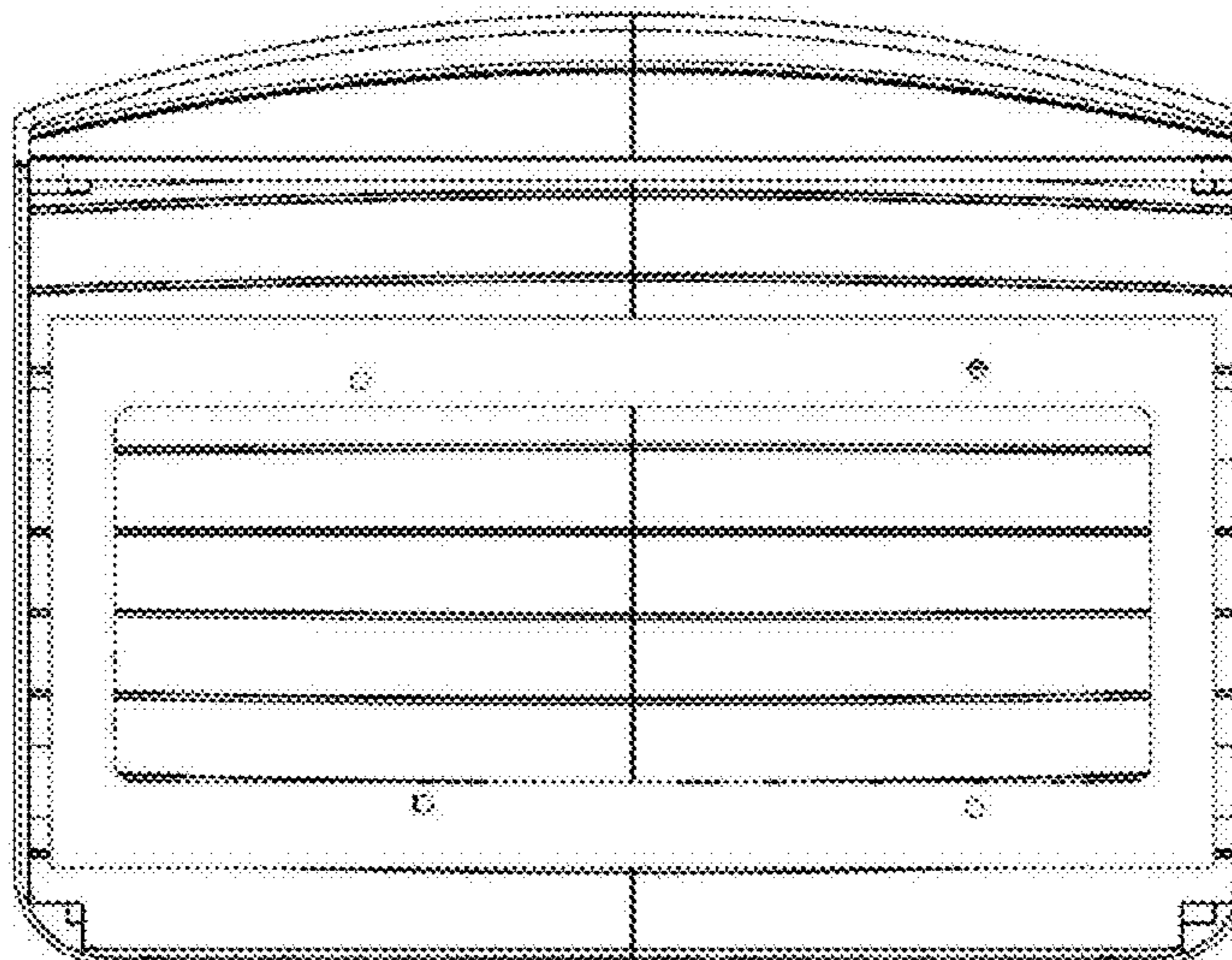


FIG. 12

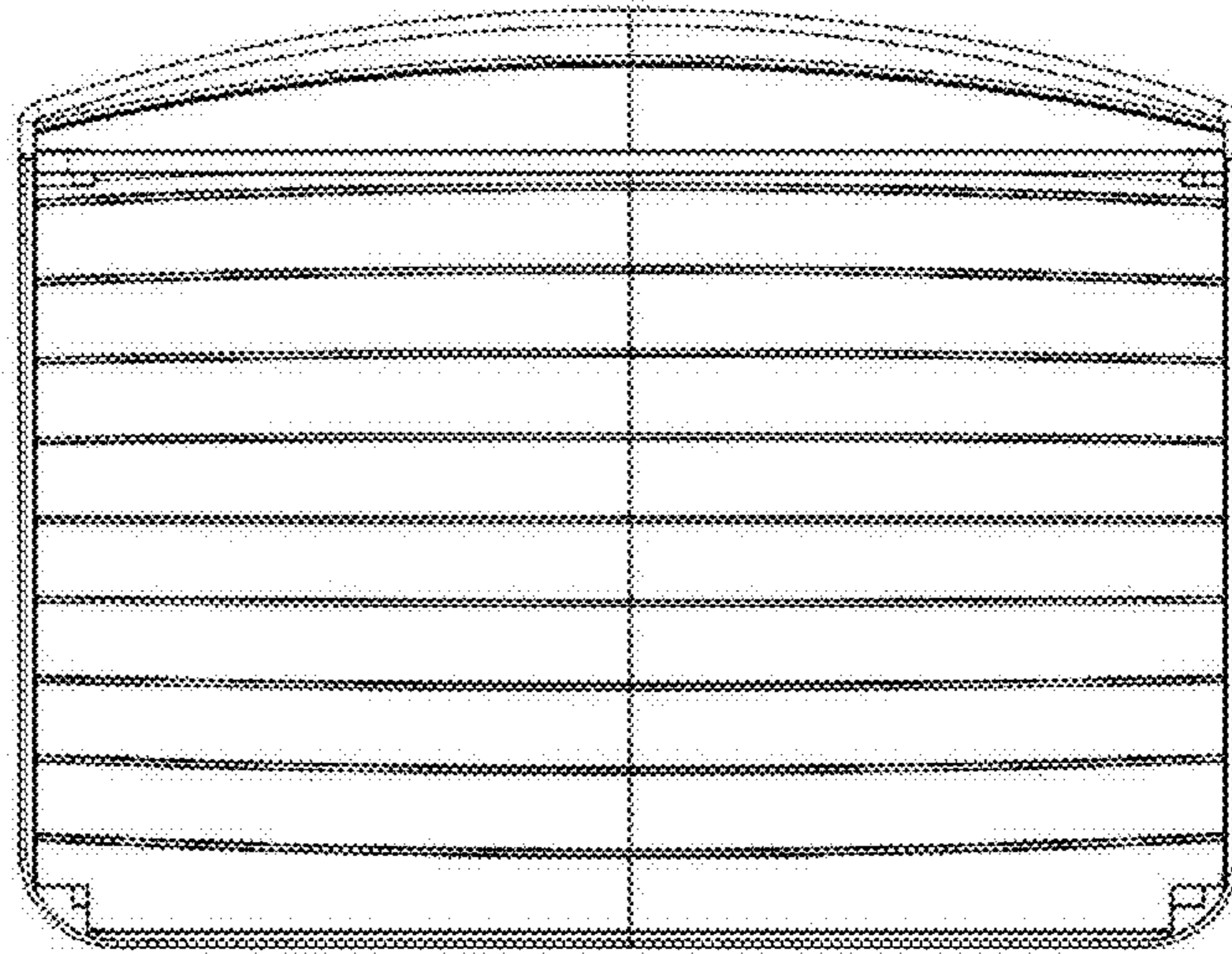


FIG. 13

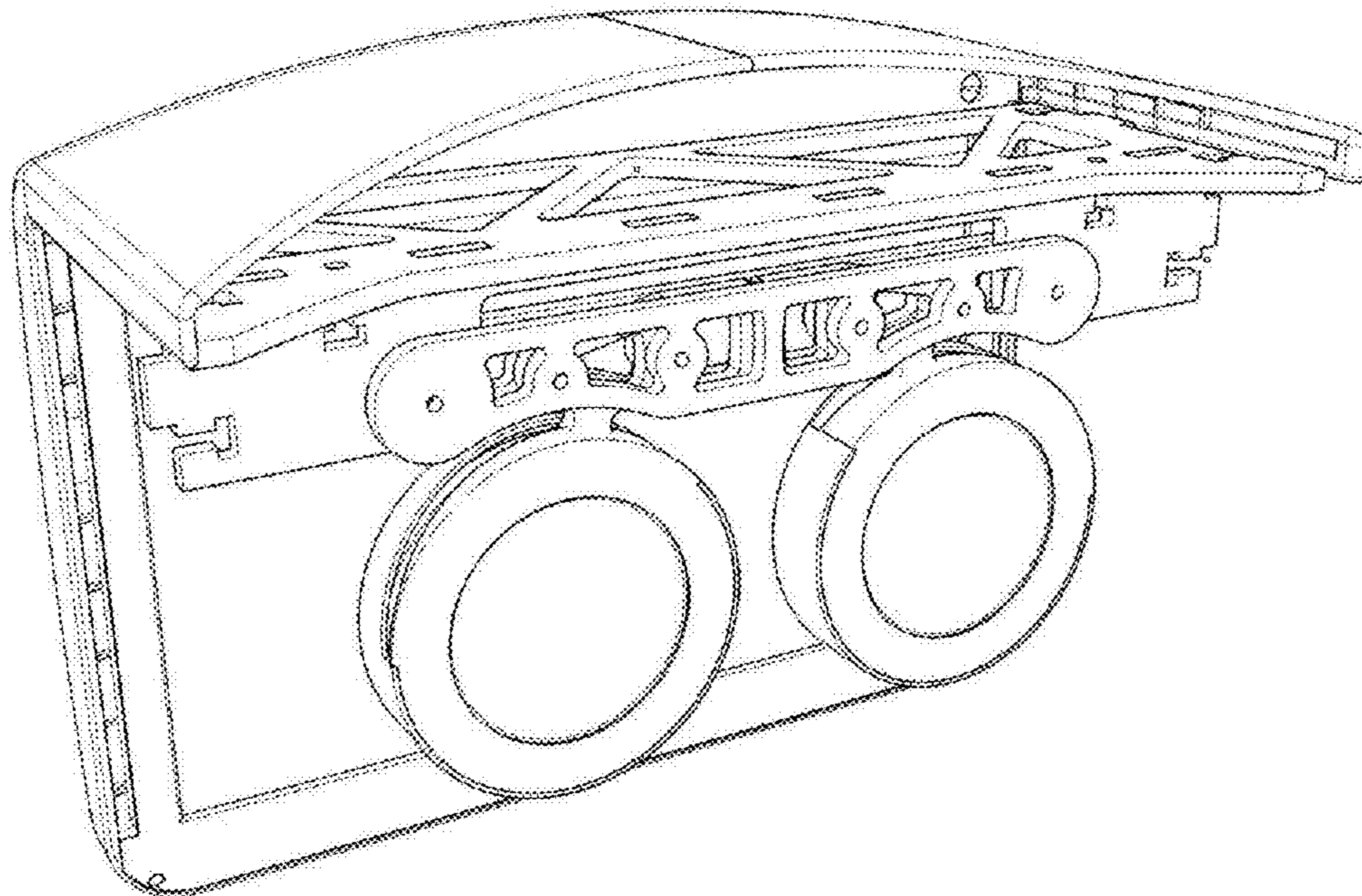


FIG. 14

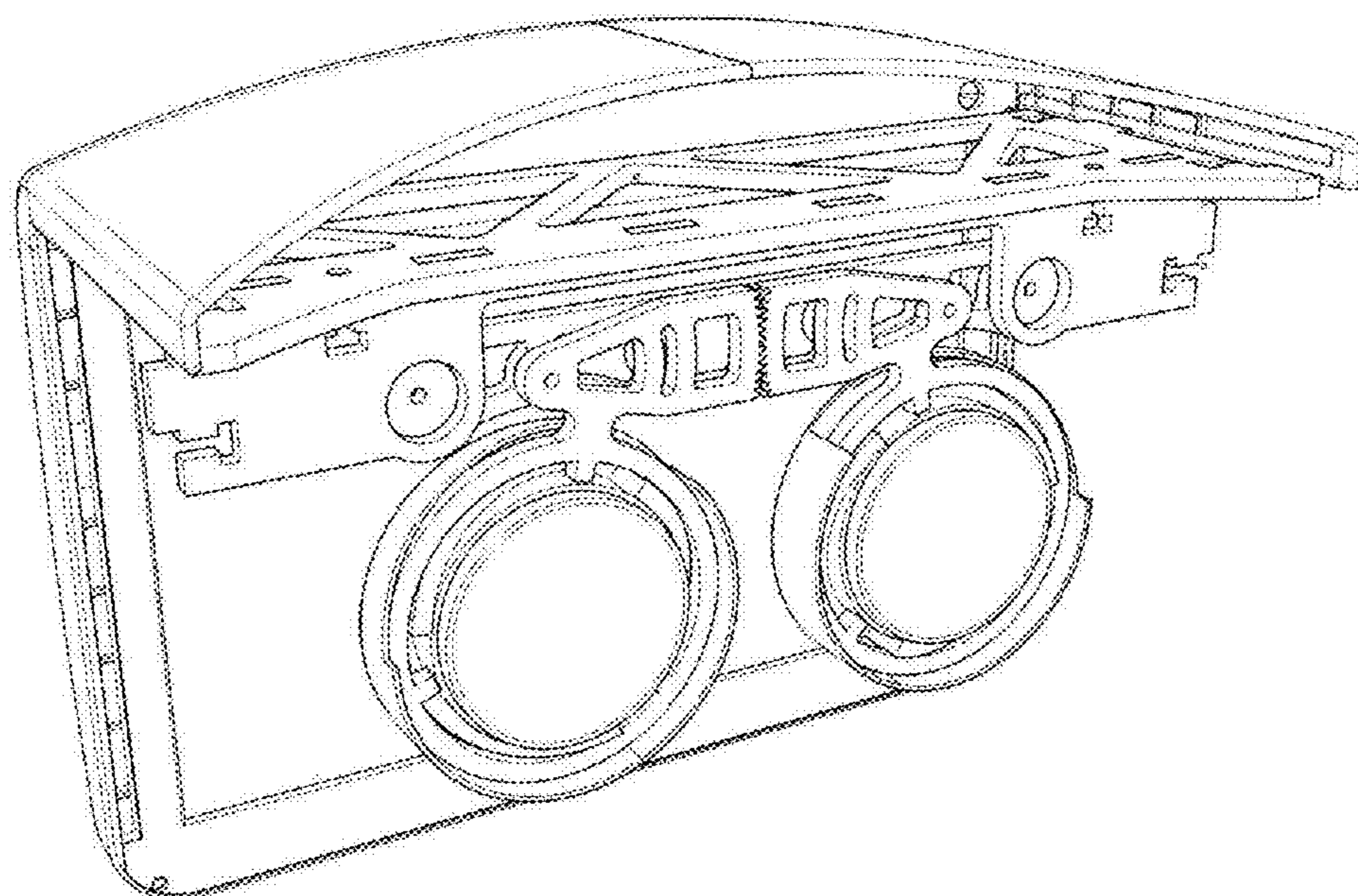


FIG. 15

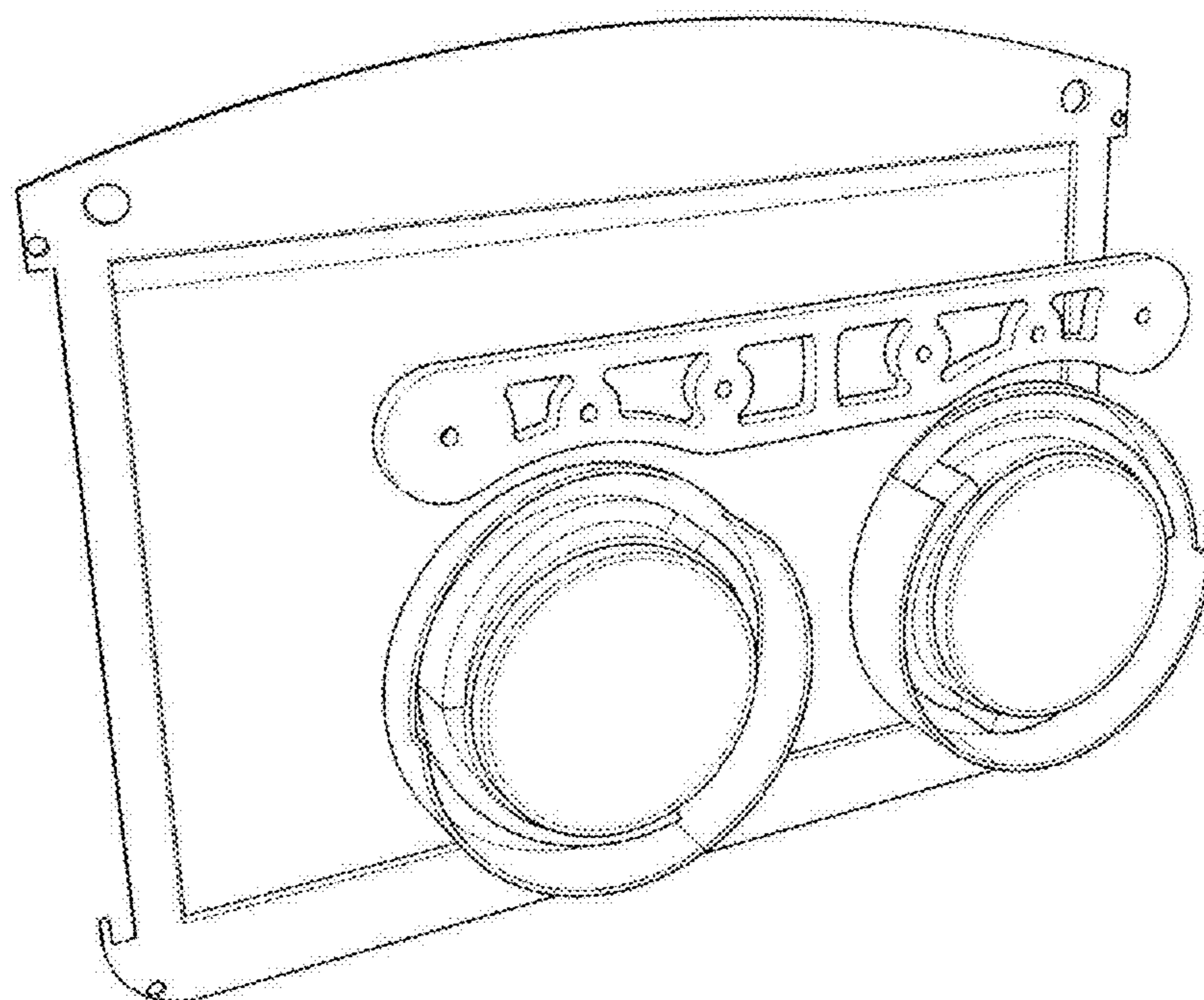


FIG. 16